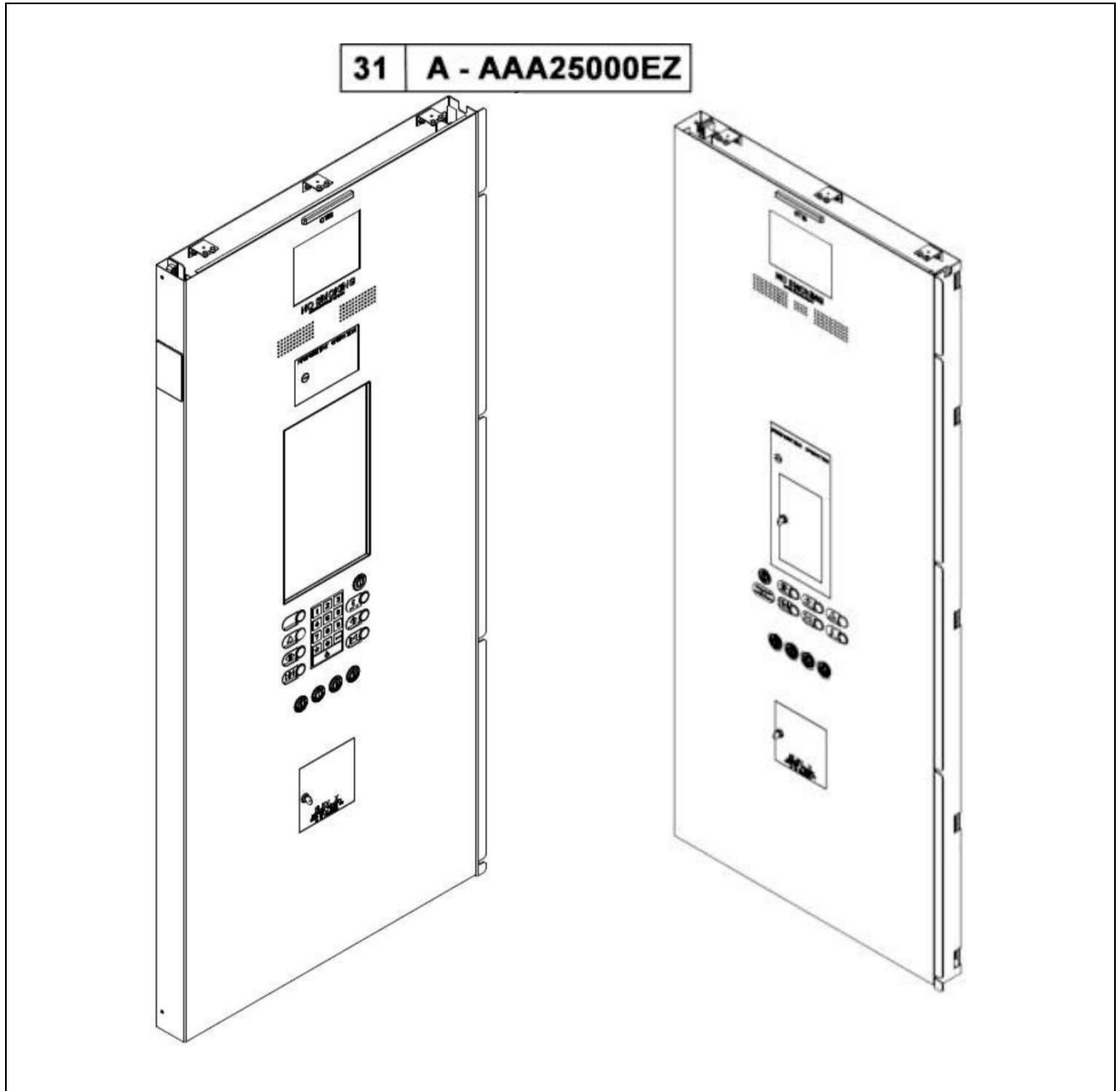


# Otis Luxury Swing Car Operating Panel

## Spare Parts Leaflet 31-AAA2500EZ

August 30, 2023 / Page 1 of 20



# OTIS

This document does not contain any technical data subject to EAR or ITAR

**SERVICE ENGINEERING**  
**Otis Elevator Company**  
**Bloomfield, Connecticut USA**

Unpublished Work—© Otis Elevator Co.; 2023

**Leaflet Description**

This leaflet provides spare parts information for the luxury swing return car operating panel, type AAA2500EZ. This COP includes: Compass, Touch Screen, and A17.1 2019/IBC2018 compliant LUXSWING fixtures.

**Leaflet Revisions**

<b>Date Revised</b>	<b>SME</b>	<b>Reason for Revision</b>
February 15, 2017	Scott Phillippi	New SPL
May 3, 2017	Paul Kerr	Updated Ref. 4 on p. 9, Ref. 2 on p. 11, and Ref. 2 on p. 13
July 18, 2017	Charles Lowd	Corrected History Page; Added AAA26800AZX1 on p. 12
January 17, 2018	Scott Phillippi	Updated TOC page numbers on p. 4; Removed phone speaker/mic part number from p. 5, arrangements to be specified by reference SPL; Added AAA317T fire cabinet to p. 6; Inserted p.15 for COP locking system; Added p. 18 for Otis Touch components
June 13, 2018	Scott Phillippi	Updated views for main landing call button on pp. 1, 3, 6-8. Added speaker callout pp. 16-18; Corrected touch screen part number, corrected item number callout for touch screen and keypad on p. 18
October 3, 2018	Jay Lengacher	Added AAA2500DF9, 10, 11, 12, 16, and 17 on p. 10
August 10, 2022	Luke Brantley	Updated for CN1544343
February 8, 2023	Paul Anthony	Replaced AAA443FJ1 with AAA443FJ3 on p. 5 Reverted ABA26800AA2 back to AAA26800BAA2 on p. 13
August 30, 2023	Wesley Layton	Replaced AAA512H1 with AAA512H2 on p. 4. Changed GAA26800SG3 to GAA26800SG3-OTISONE and added a note for commissioning on p. 16

**Related Drawings**

<b>Drawing No.</b>	<b>Title</b>	<b>Drawing No.</b>	<b>Title</b>
AAA2500EZ	Assembly, Touch Screen and Compass COP	AAA29501AE	MAD Fixtures Components
AAA29501AD	CE Electronics Components		

**Related Documents**

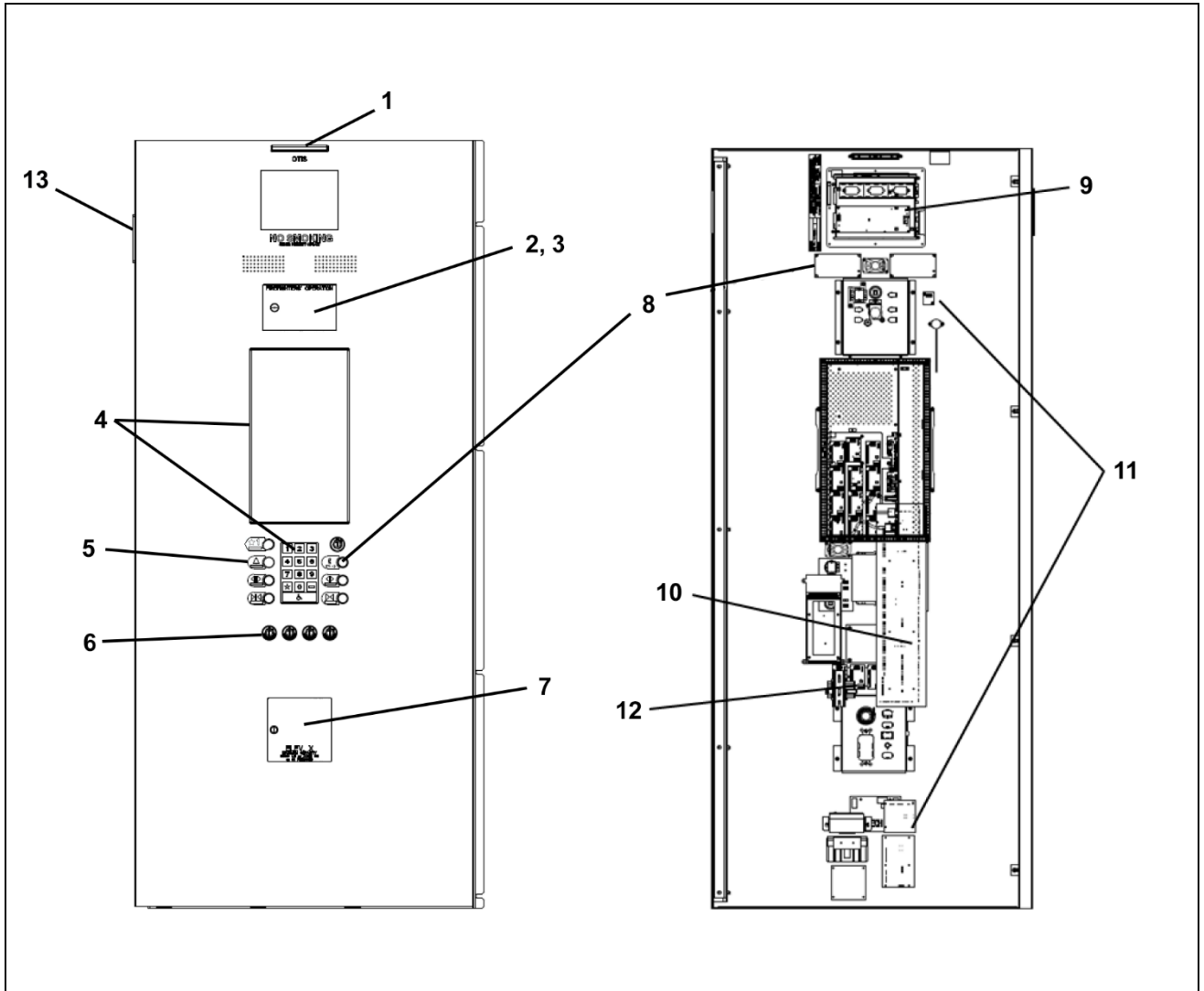
<b>Document ID</b>	<b>Title</b>
SPL 31-AAA317Q	<i>Firefighter's Cabinet Assembly</i>
SPL 31-AAA23851B	<i>Fixture: Jewel Assembly</i>
SPL 31-AAA340CV	<i>Fixture – Part, Collar, Keyswitch and Jewel</i>
SPL 31-AAA403AE	<i>Door Service Cabinet</i>
SPL 31-AAA250Q	<i>Graphic Insert: AAA250Q, AAA250R, AAA250V and AAA250S</i>
SPL 31-AAA102VB	<i>Instruction Plates</i>
SPL 31-AA25300T	<i>Phone Jack Assembly</i>
SPL 32-AAA23851A	<i>Fixture – Part, Keyswitch (Series 5 Fixture)</i>
SPL 32-AAA23500CH	<i>Pushbuttons, Luxury Micro-Motion III</i>

**Subject Matter Expert**

<b>Name</b>	<b>Department</b>
Wesley Layton	Florence Engineering
Paul Anthony	OSC Service Engineering

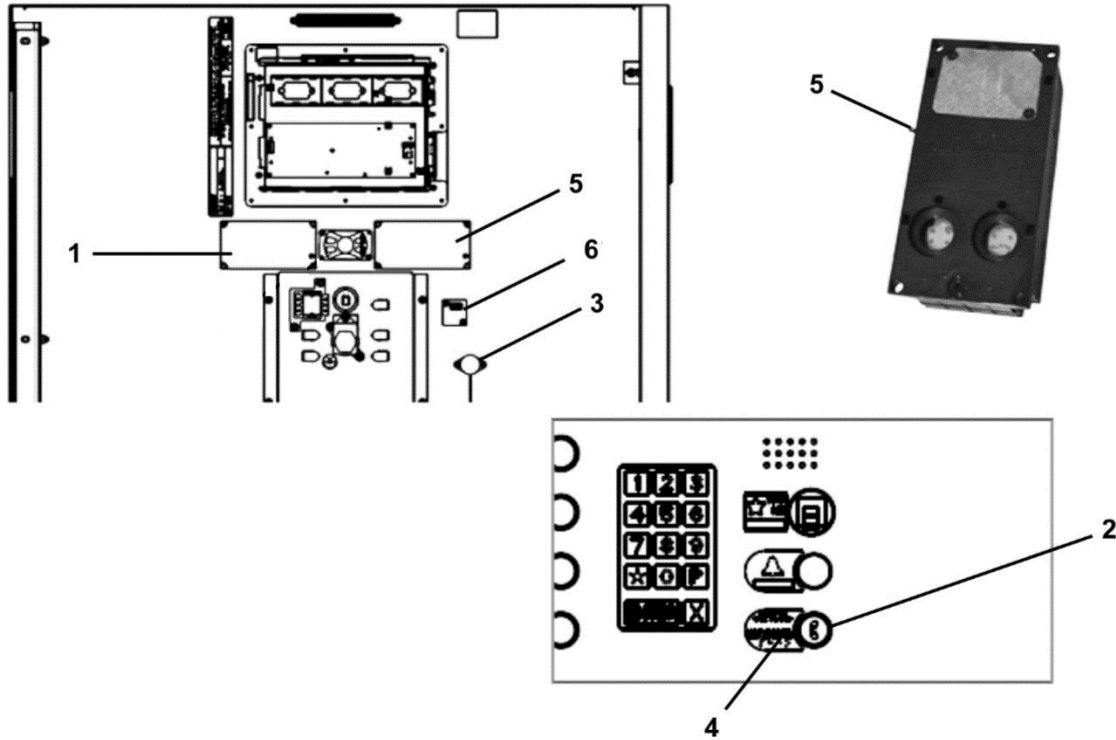
# Table of Contents




**31-AAA25000EZ**



REF. No.	PAGE No.	DESCRIPTION
1	5	Emergency Light and Devices
2	10	Labels
3	6	Firefighter's Cabinet
4	16	Touch Screen System Components (CE Electronics)
	17	Touch Screen System Components (MAD Fixtures)
	18	Touch Screen System Components (Otis Touch Screen)
5	7	Buttons and Graphics
6	8	Card Reader Lens and Floor Lockout Keyswitches
7	6	Service Cabinet
8	4	OAD Phone, Speech Speaker, Buzzer, Line Terminator
9	13	Position Indicator, Direction Indicator, eView
10	12	Terminal Panel, CIB
11	11, 12	PC Boards
12	11	RS14 Boards
13	9	In Car Lantern, Compass Annunciator

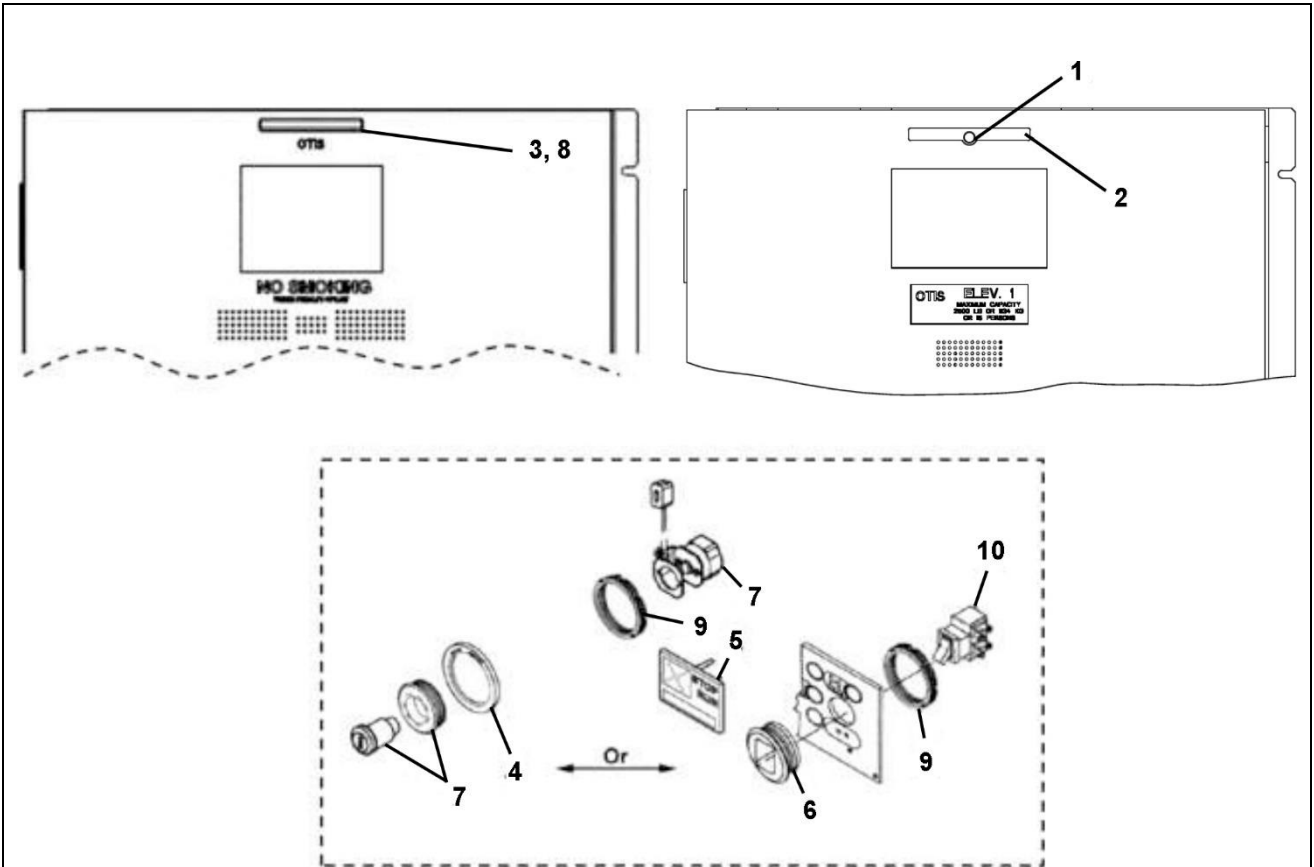
\*Not Shown






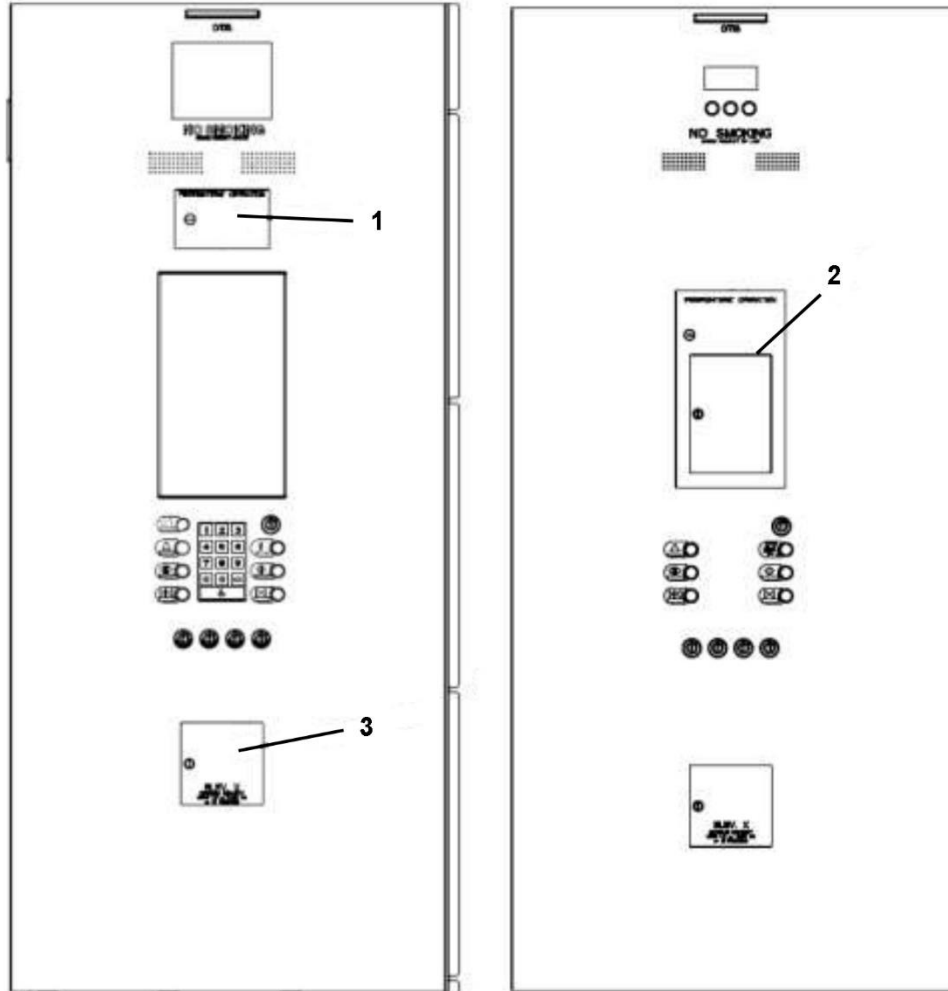
AAA2500EZ		
REF. No.	PART No.	DESCRIPTION
1	AAA512H1 AAA512H2	Assembly, OAD & Speaker/Microphone,  SPL 31-AAA25300T
2	---	Button, Illuminating, ADA Phone, Type AAA23500CH,  SPL 32-AAA25300CH
3	6219F2	Buzzer
4	---	Graphic, Phone, Type AAA250V or AAA250R,  SPL 31-AAA250Q
5	AAA512A1	Module, Intercom
6	9693J2	Terminator, Line




# Emergency Light and Devices

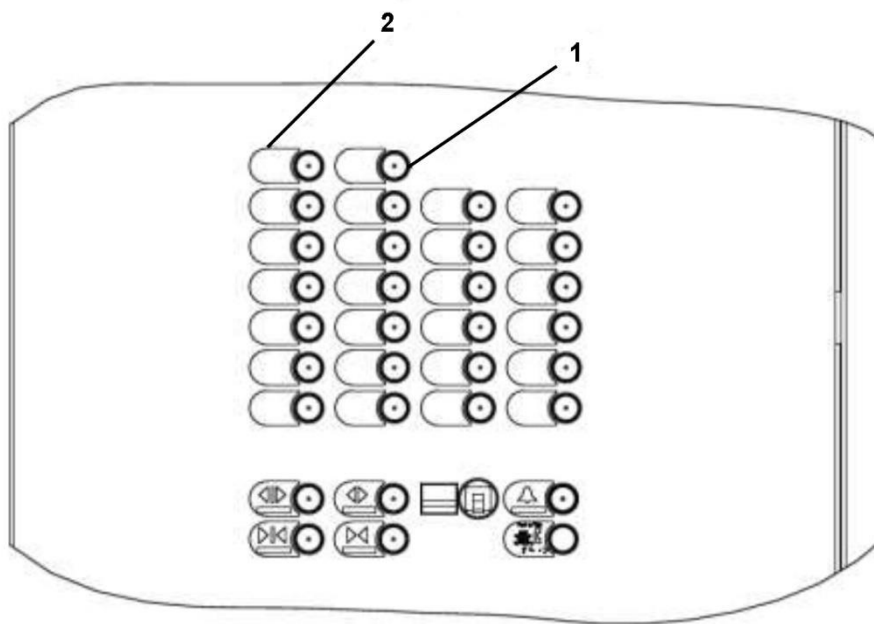
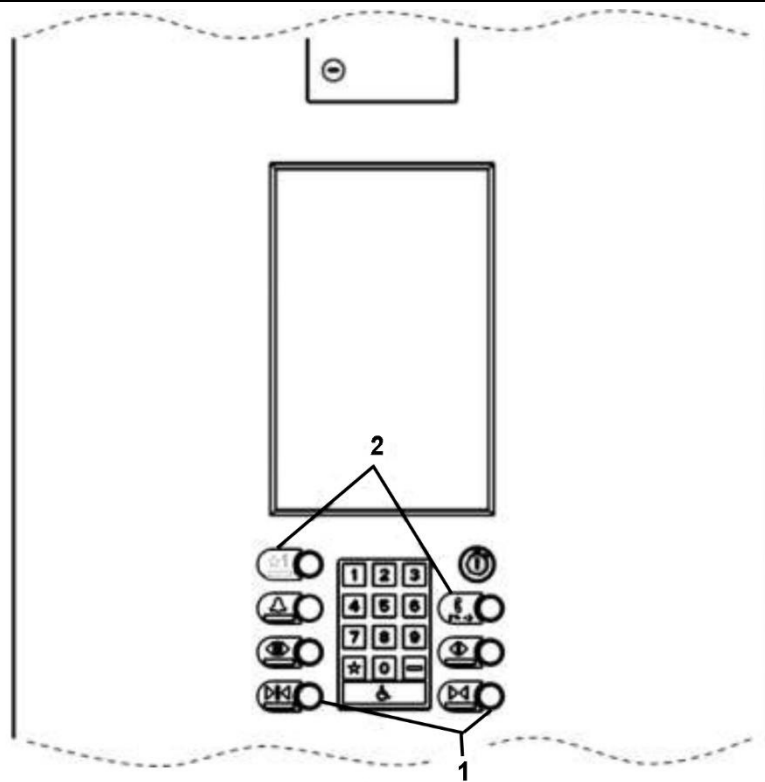
**31-AAA2500EZ**





AAA2500EZ		
REF. No.	PART No.	DESCRIPTION
1	AAA180KS2	Assembly, Camera
2	AAA417DK	Assembly, Emergency Car Light w/ Camera Hole
3	AAA26800ANS1	Assembly, PC Board, for Emergency Light, 6 VDC
4	AAA340CV28	Collar, In-Car Stop,  In-Car Stop Keyswitch  SPL 31-AAA340CV
5	AAA250G4-STOPTGL	Graphic, In-Car Stop, for Toggle Switch
6	MAA396W1	Housing, Toggle Switch, for In-Car Stop
7	---	Keyswitch, In-Car Stop,  SPL 32-AAA23851A
8	AAA443FJ1 AAA443FJ3	Lens, Emergency Light
9	AAA72JZ1	Nut, for In-Car Toggle Switch and EMT Jewel
10	6073F6	Switch, Toggle, for In-Car Stop

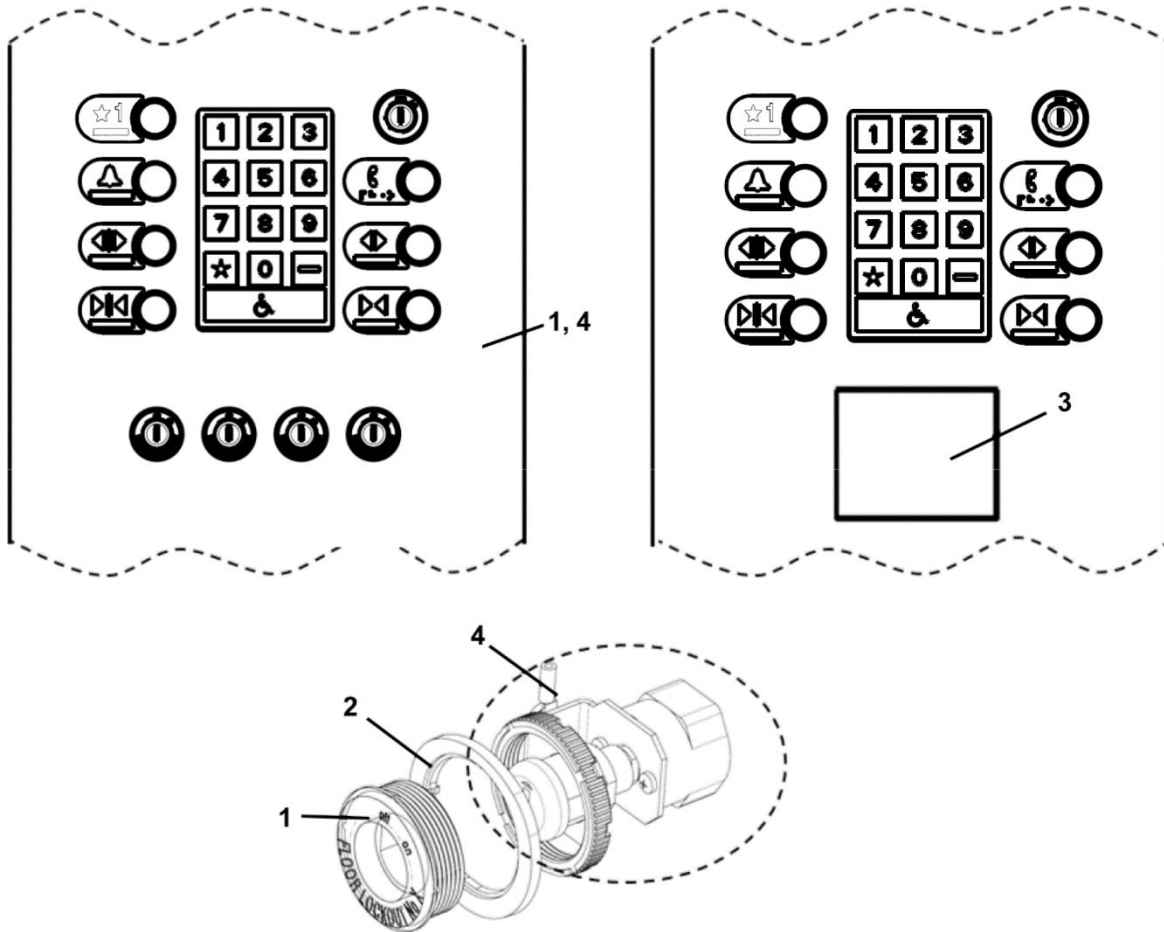



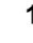

AAA25000EZ		
REF. No.	PART No.	DESCRIPTION
1	---	Cabinet, Firefighter's, Type AAA317Q or ABA317T  SPL 31-AAA317Q
2	---	Cabinet, Firefighter's, Compass, Type AAA317S,  SPL 31-AAA317Q
3	---	Cabinet, Service, Type AAA7144CM,  SPL 31-AAA7144CM



AAA2500EZ		
REF. No.	PART No.	DESCRIPTION
1	---	Buttons, Micro Motion III, Type AAA23500CH,  SPL 32-AAA23500CH
2	---	Graphics, Types AAA250R,  SPL 31-AAA250Q

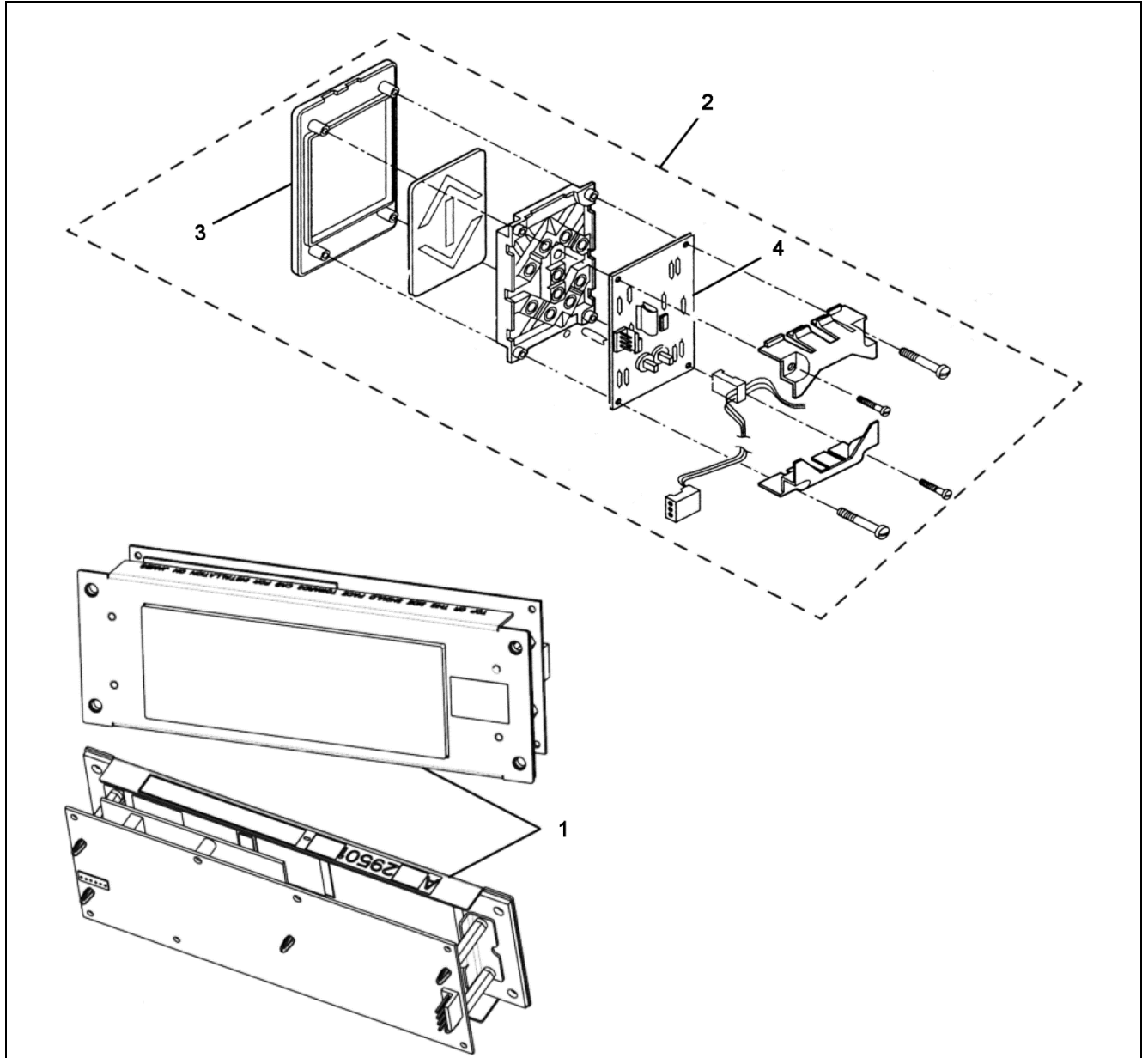
**Card Reader Lens and Floor  
Lockout Keyswitches**




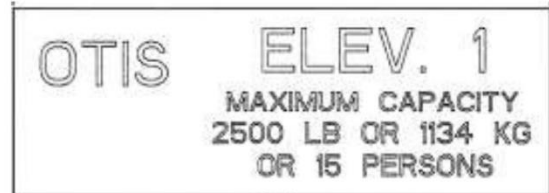
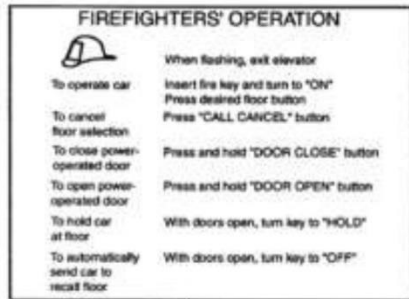
REF. No.	PART No.	DESCRIPTION
	<b>AAA25000EZ</b>	
1	---	Collars, English and French, Type AAA340CV,  SPL 31-AAA340CV
2	---	Housing, Type AAA396PJ,  SPL 32-AAA396PJ
3	AAA449BZ4	Lens, Card Reader, 5 x 3 in.
	AAA449BZ5	Lens, Card Reader, 4 x 4 in.
	AAA449BZ6	Lens, Card Reader, 5 x 4 in.
4	---	Keyswitches, Type AAA23851A,  SPL 32-AAA23851A




**Annunciators**



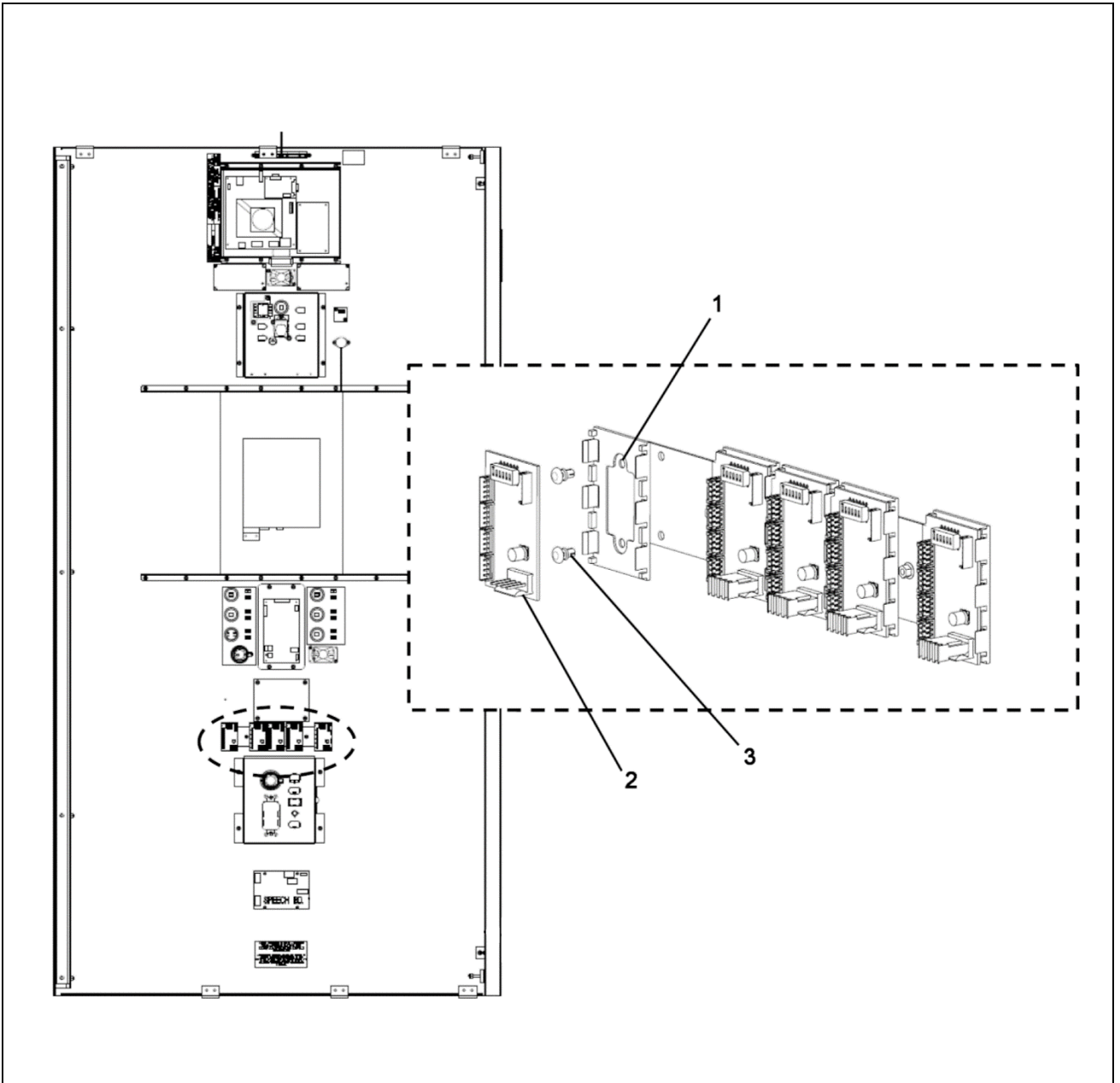
AAA25000EZ		
REF. No.	PART No.	DESCRIPTION
1	ABA29501T997	Annunciator, 6.2 in. LCD, Type AAA29501T,  SPL 31-AAA29501T
2	A6463W10	Lantern, RSL, In-Car, Blue (Front and Rear Opening)
3	A443CD4	Lens, Gray
4	AAA26800AMZ5 ABA26800AMZ5	PCB, Blue LED



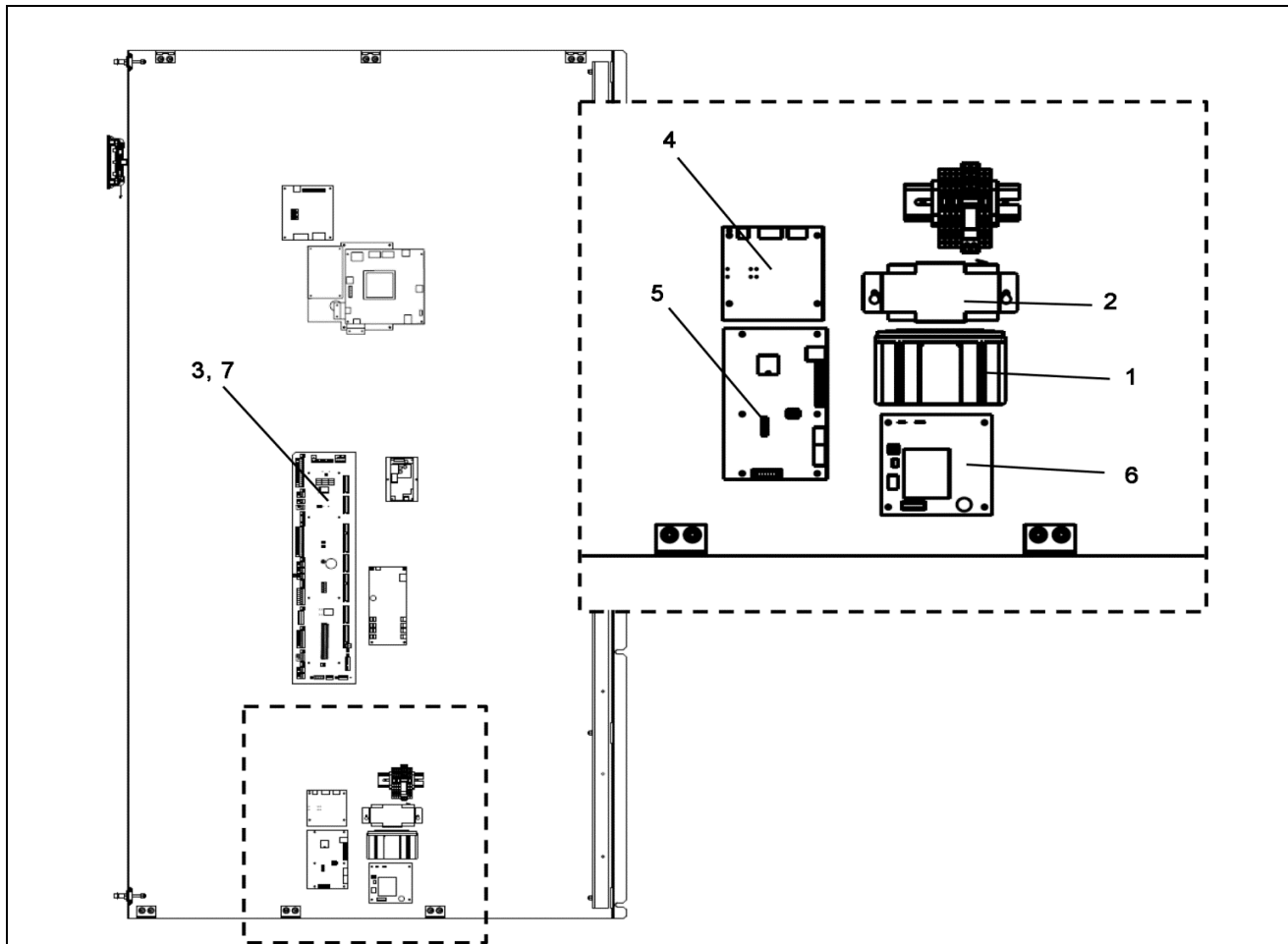
1

REF. No.	PART No.	DESCRIPTION
	<b>AAA25000EZ</b>	
*	AAA25000DF9	Holder, Elevator Certificate Frame, Stainless (Used with Otis FS4)
	AAA25000DF10	Holder, Elevator Certificate Frame, Bronze (Used with Otis BR7)
	AAA25000DF11	Holder, Elevator Certificate Frame, Mirrored Stainless (Used with Otis SS8)
	AAA25000DF12	Holder, Elevator Certificate Frame, Mirrored Bronze (Used with Otis BR8)
	AAA25000DF16	Holder, Elevator Certificate Frame, Light Oxidized Bronze (Used with Otis LBR)
	AAA25000DF17	Holder, Elevator Certificate Frame, Dark Oxidized Bronze (Used with Otis DBR)
1	---	Label, Type AAA102VB,  SPL 31-AAA102VB

\* Part not shown.



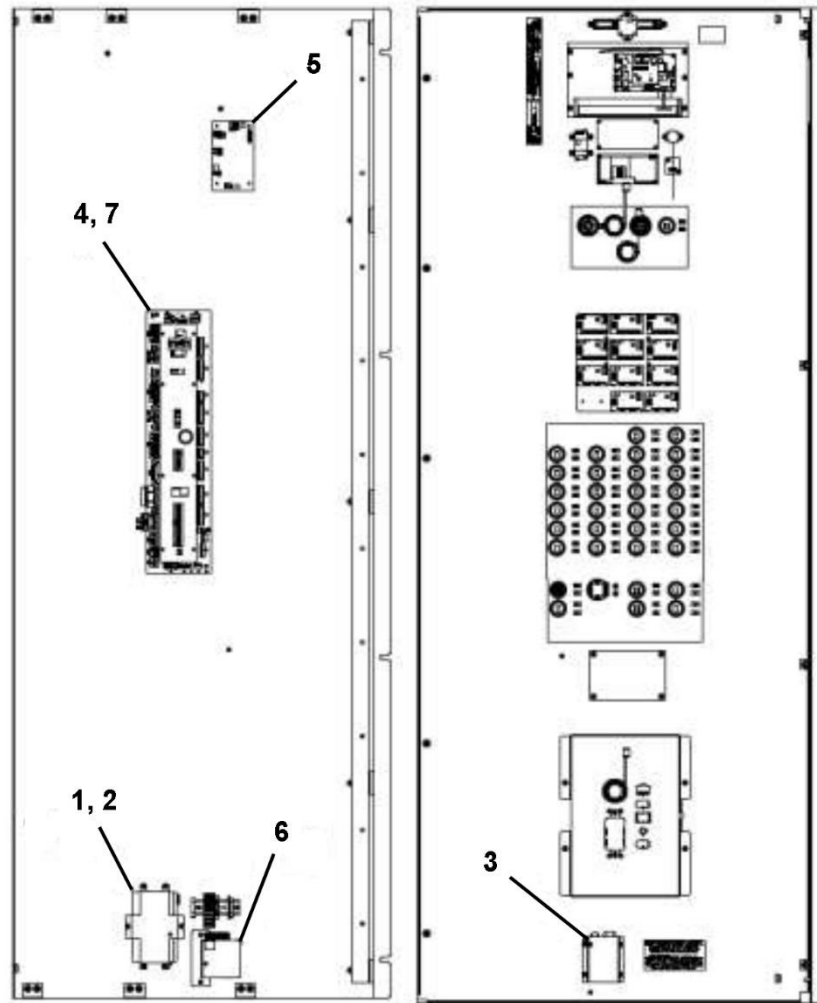
AAA25000EZ		
REF. No.	PART No.	DESCRIPTION
1	FBA316SL2	Holder, PC Board, for RS14 Board
2	<del>DAA26800AL1</del> DCA26800AL1	PC Board, RS14-RSL
3	AAA141AN1	Rivet, Snap, RS14 Board Holder



**AAA2500EZ**

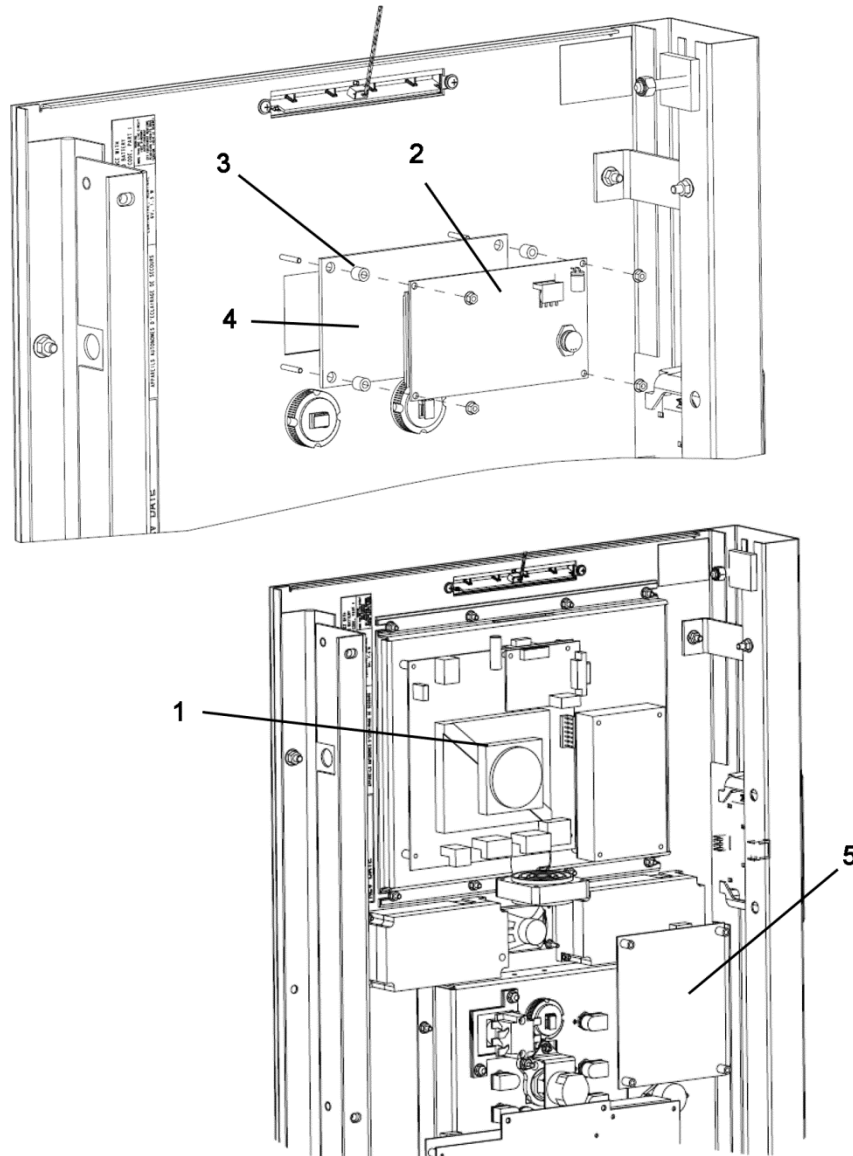
REF. No.	PART No.	DESCRIPTION
1	AAA718E16	Battery, 6 Volt, 2.5 AH, Used for E-Light
2	AAA718E18	Battery, 12 Volt, 1.4 AH, Used for OAD
3	ABA26800AXC1	PC Board, Car Interface Board (Gen2)
*	ACA26800AXA1	PC Board, Car Interface Board (Hydro)
*	AAA26800AZX1	PC Board, Car Interface Board (Gen2)
*	AAA26800BAA1	PC Board, Car Interface Board (Gen2)
*	AAA26800AZZ1	PC Board, Car Interface Board (Hydro)
4	AAA26800ARK1	PC Board, Battery Charger for OAD System
5	ADA26800ARH3	PC Board, Otis Auto Dialer "OAD"
6	AAA26800APD1	PC Board, Battery Charger for E-Light System
7	AAA384AVV3	Shield, Car Interface Board (Gen2) (AZX/AXC Board)
*	AAA384AVV4	Shield, Car Interface Board (Hydro) (AXA Board)
*	AAA384AVV6	Shield, Car Interface Board (Hydro) (AZZ Board)
*	AAA384AVV7	Shield, Car Interface Board (Gen2) (BAA Board)

\* Part not shown

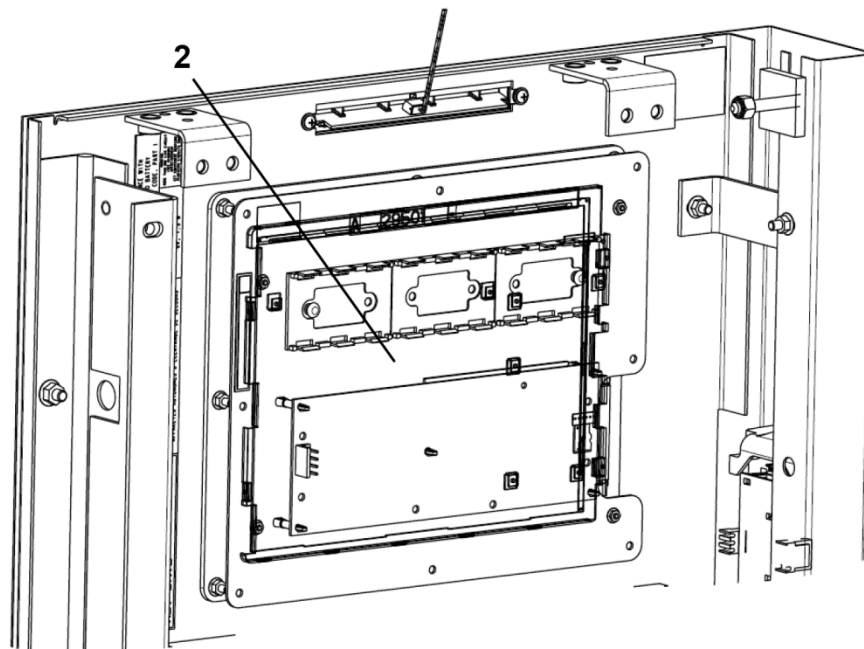
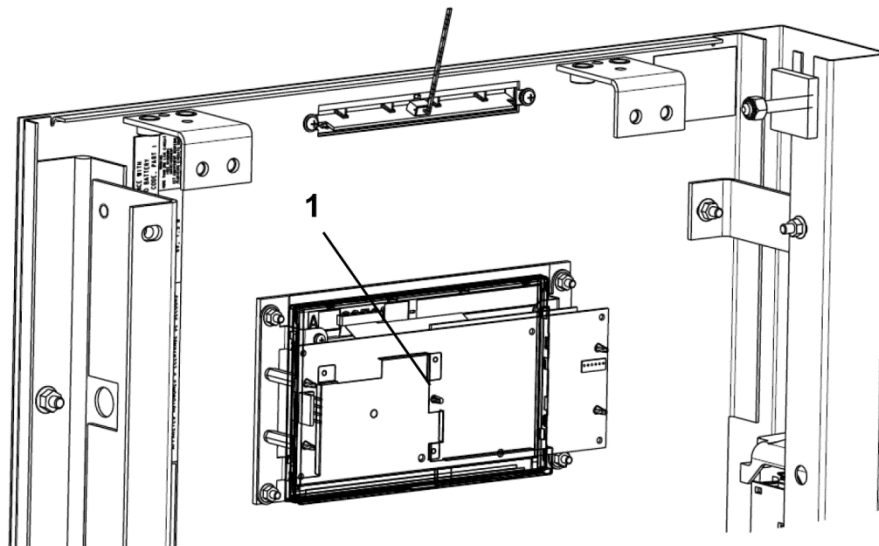


AAA2500EZ		
REF. No.	PART No.	DESCRIPTION
1	AAA718E22	Battery, 12V 9AH (A17.1 2019/IBC2018)
2	AAA316KZV2	Bracket, Battery (A17.1 2019/IBC2018)
3	AAA639FK1	Converter, Media
4	AAA26800BAA2	PC Board, Car Interface Board (Gen2) (A17.1 2019/IBC2018)
*	ACA26800AZZ2	PC Board, Car Interface Board (Hydro) (A17.1 2019/IBC2018)
5	ABA26800BBM1	PC Board, Battery Backup System (A17.1 2019/IBC2018)
6	AAA621AN45	Power Supply
7	AAA384AVV6	Shield, Car Interface Board (Hydro)
*	AAA384AVV7	Shield, Car Interface Board (Gen2)

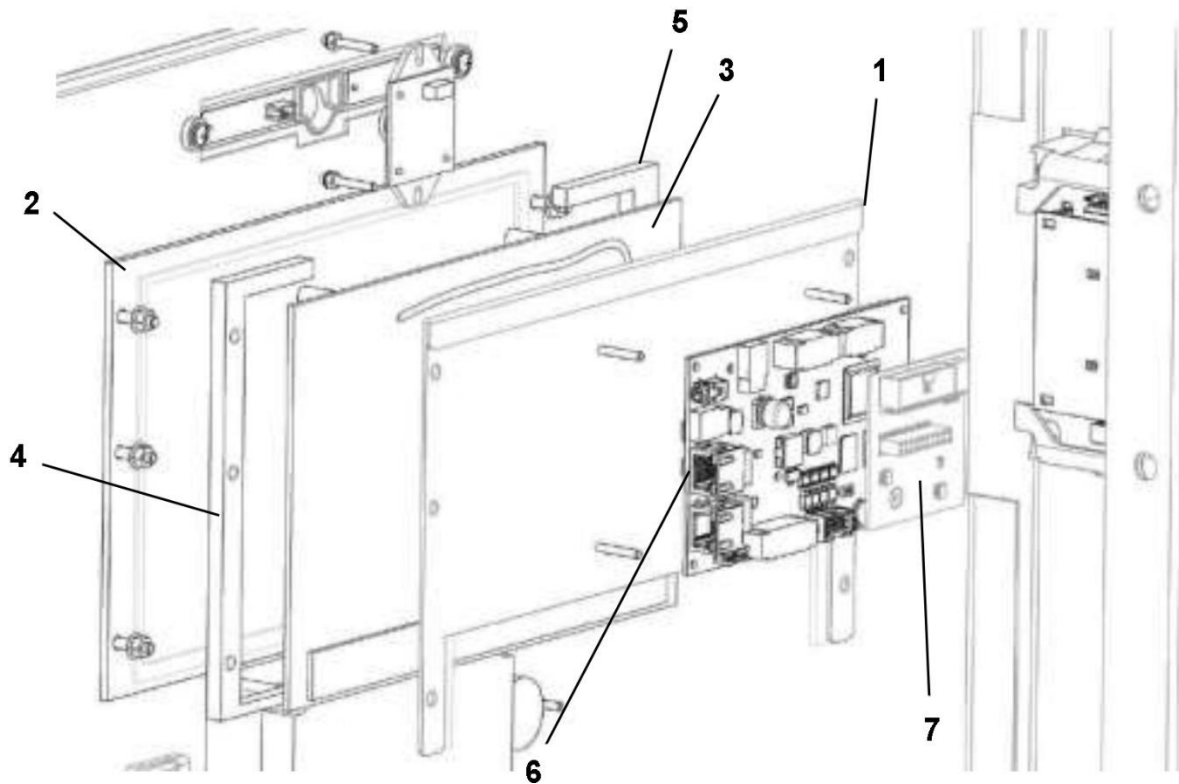
\* Part not shown



AAA25000EZ		
REF. No.	PART No.	DESCRIPTION
1	AAA29501AD50	Assembly, Display, 10.4 in. CE Electronics Elite PI
2	<del>DBA26800AM5</del> DAA26800AM1	Display, Position Indicator
3	AAA462AL3	Distance Piece, Position Indicator
4	AAA449CB1	Lens, Position Indicator
5	AAA29501AD60	PC Board, OEMS CE Electronics Elite PI



<b>AAA25000EZ</b>		
<b>REF. No.</b>	<b>PART No.</b>	<b>DESCRIPTION</b>
1	AAA29501X3	Assembly, Display, 7 in. Otis LCD
2	AAA29501R10	Assembly, Display, 10.4 in. Otis LCD



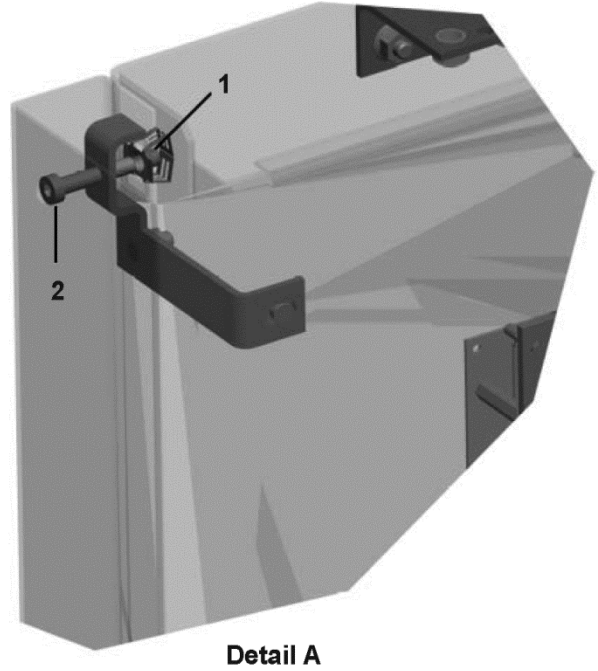
<b>AAA25000EZ</b>		
<b>REF. No.</b>	<b>PART No.</b>	<b>DESCRIPTION</b>
1	AAA386PBA2	Assembly, Back Plate + Gasket
2	AAA443GS2	Assembly, eView Lens + Gasket
3	EEAA424A1	Display, eView
4	AAA374AFH2	Frame, Support, eView
5	AAA374AFH1	Frame, Support, eView
6*	<del>GAA26800SG3</del> GAA26800SG3-OTISONE	PC Board CPIBv2, Otis One, 2-Way Video Application
7	GAA26800SJ1	PC Board, RSL Daughter Card

\* Provide machine number when ordering for commissioning of the board prior to shipment.



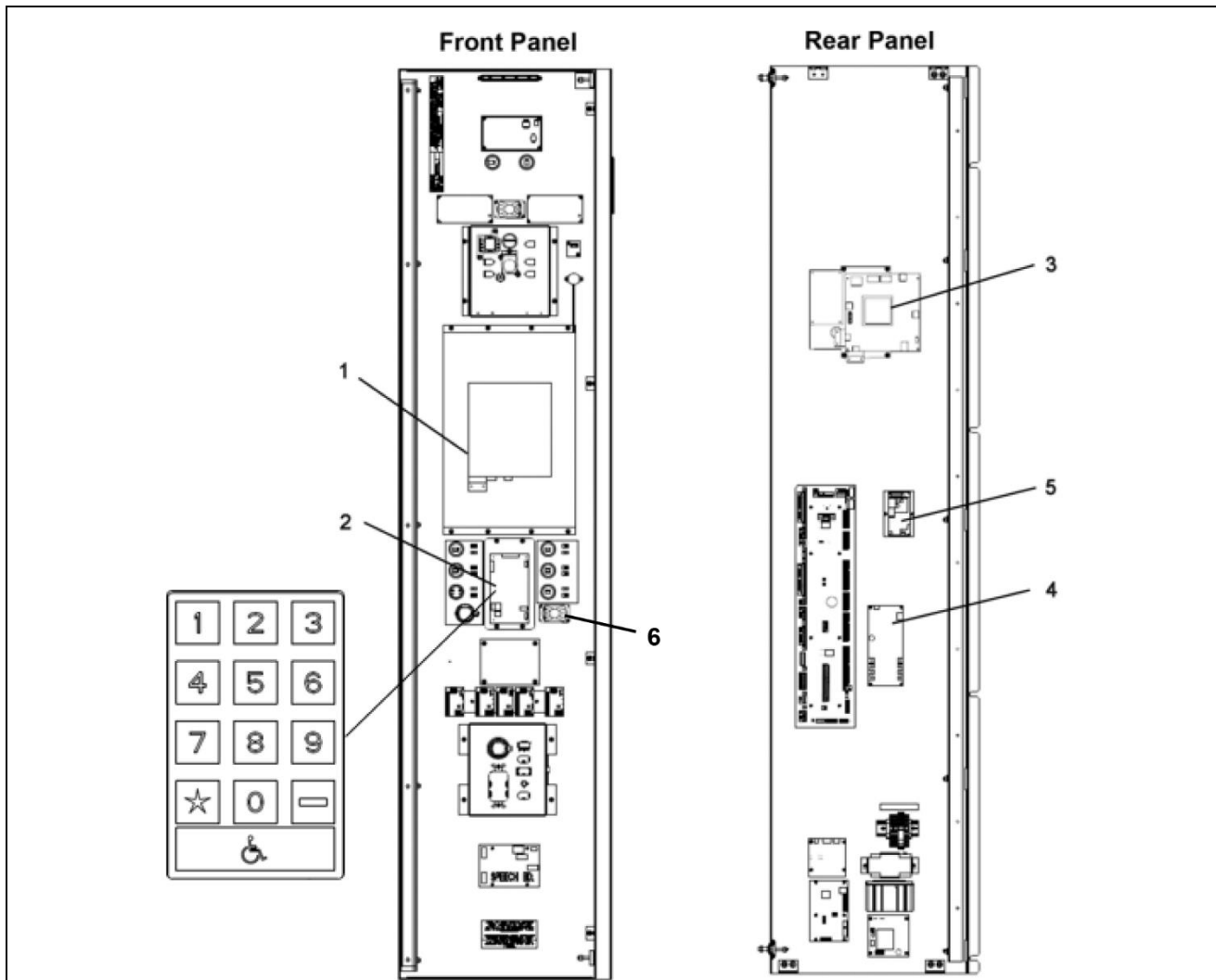
# COP Locking System

**31-AAA25000EZ**



AAA25000EZ		
REF. No.	PART No.	DESCRIPTION
1	AAA72ML1	Nut, Cage, M6
2	DIN7984M6x30-8.8Z	Screw, Low Profile Socket Head Cap, M6 x 30 mm

**Touch Screen System  
Components (CE Electronics)**



<b>AAA2500EZ</b>		
<b>REF. No.</b>	<b>PART No.</b>	<b>DESCRIPTION</b>
1	AAA29501AD1	Assembly, Touch Screen Display, 19 in. Diagonally
*	AAA29501AD2	Assembly, Touch Screen Display, 15.3 in. Diagonally
2	AAA29501AD998	Assembly, Keypad, Standard (1–9 with # and * in lower left and right hand corners)
	AAA29501AD999 - __	Assembly, Keypad, Contract Specific Key (Right of “0” key)
3	AAA29501AD10	CPU, Touch Screen System
4	AAA29501AD21	PC Board, CIB-O RSL Interface
5	AAA29501AD20	Power Supply, Display
6	AAA25400BA5	Speaker, Floor Annunciation

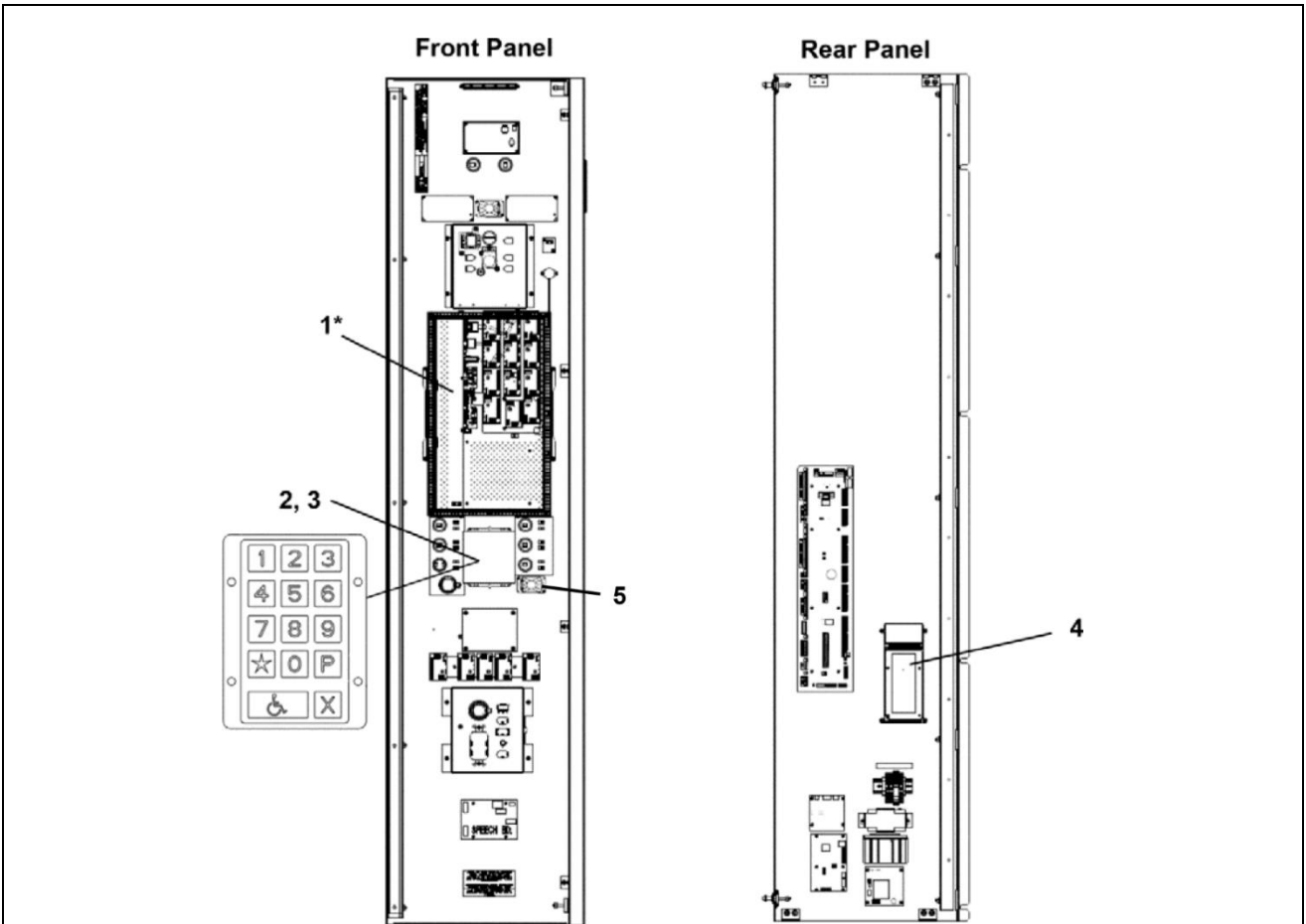
\* COP shown split into “Front” and “Rear” panels for clarity.

\*\* Part number specified as “AAA29501AD999 – #”, key options include: B, G, L, P, M, R, PH, “-”. For the example shown: AAA29501AD999 - \_\_.

# Touch Screen System

**31-AAA25000EZ**

## Components (MAD Fixtures)



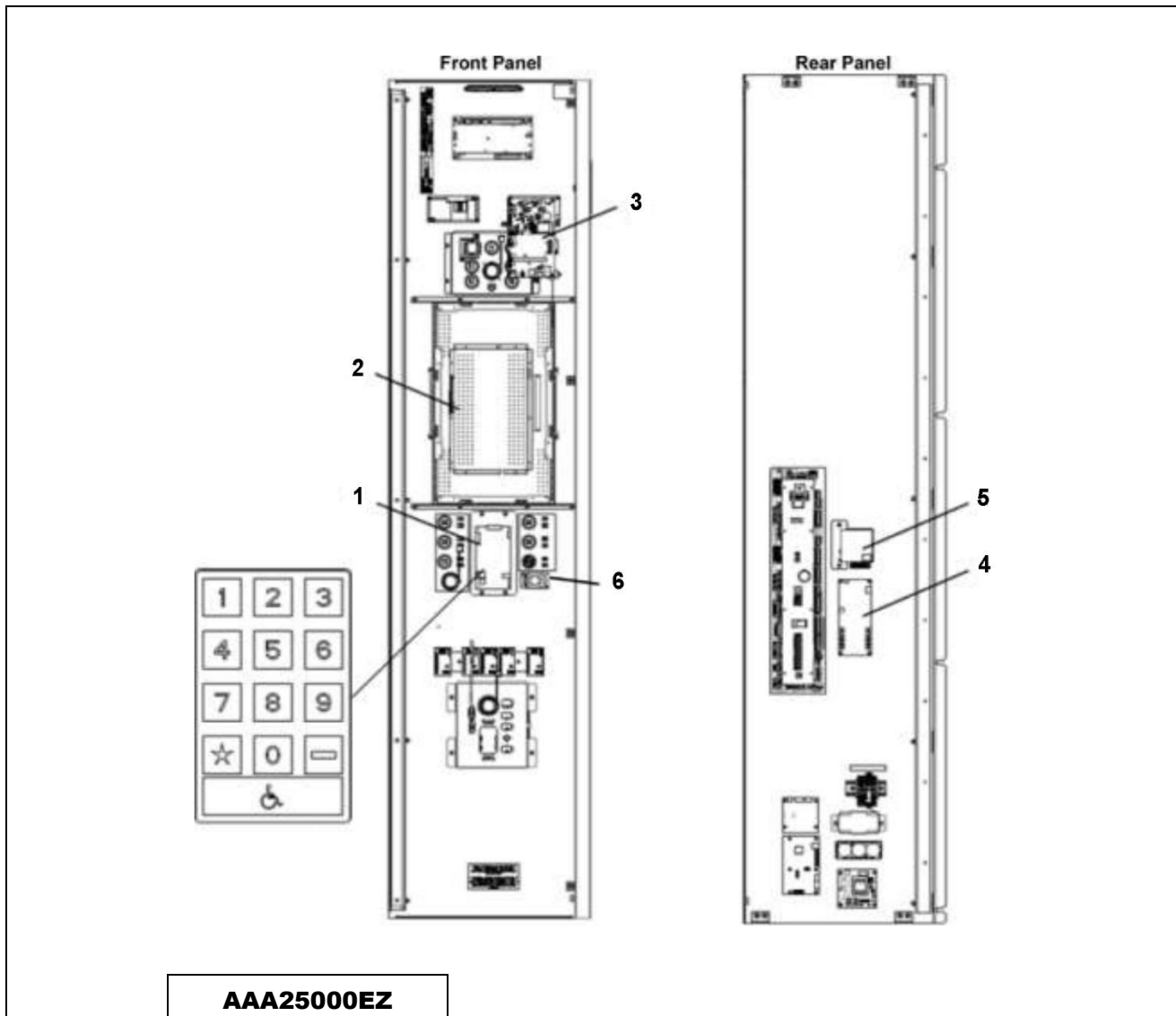
AAA25000EZ		
REF. No.	PART No.	DESCRIPTION
1*	AAA29501AE2	Assembly, Touch Screen and CPU, 21 in. Diagonally
2	AAA29501AE999-__-__	Assembly, Keypad, Contract Specific Keys (right of "0" key – right of ADA key)**
*	AAA29501AE1	Display, Touch Screen (for auxiliary COP's only)
3	AAA29501AE50	Elevator Interface Unit (24 I/O)
	AAA29501AE51	Elevator Interface Unit (48 I/O)
	AAA29501AE52	Elevator Interface Unit (72 I/O)
	AAA29501AE53	Elevator Interface Unit (96 I/O)
4	AAA29501AE20	Supply, System Power
5	AAA25400BA5	Speaker, Floor Annunciation

\* COP shown split into "Front" and "Rear" panels for clarity.

\* Item 1: For RSL boards, see Page 11

\*\* Part number specified as "AAA29501AE999 - # - #", key options include: B, G, L, P, M, R, PH, "-". For the example shown: AAA29501AE999-P-X.

**Touch Screen System  
Components (Otis Touch)**



<b>AAA2500EZ</b>		
<b>REF. No.</b>	<b>PART No.</b>	<b>DESCRIPTION</b>
1	AAA29501AD998	Assembly, Keypad, Standard (1–9 with # and * in lower left and right hand corners)
	AAA29501AD999 - ___	Assembly, Keypad, Contract Specific Keys (in lower right hand corner)**
2	AAA29501AG1	Assembly, Otis Touch Screen 21 in.
3	GBA26800RP70 GBA26800RP7	PC Board, CPIB
4	AAA29501AD21	PC Board, CIB-O RSL Interface
5	AAA621AN34	Power Supply, System
6	AAA25400BA5	Speaker, Floor Annunciation

\* COP shown split into “Front” and “Rear” panels for clarity.

\*\* Part number specified as “AAA29501AD999 – #”, key options include: B, G, L, P, M, R, PH, “–”. For the example shown: AAA29501AD999 - \_\_\_.