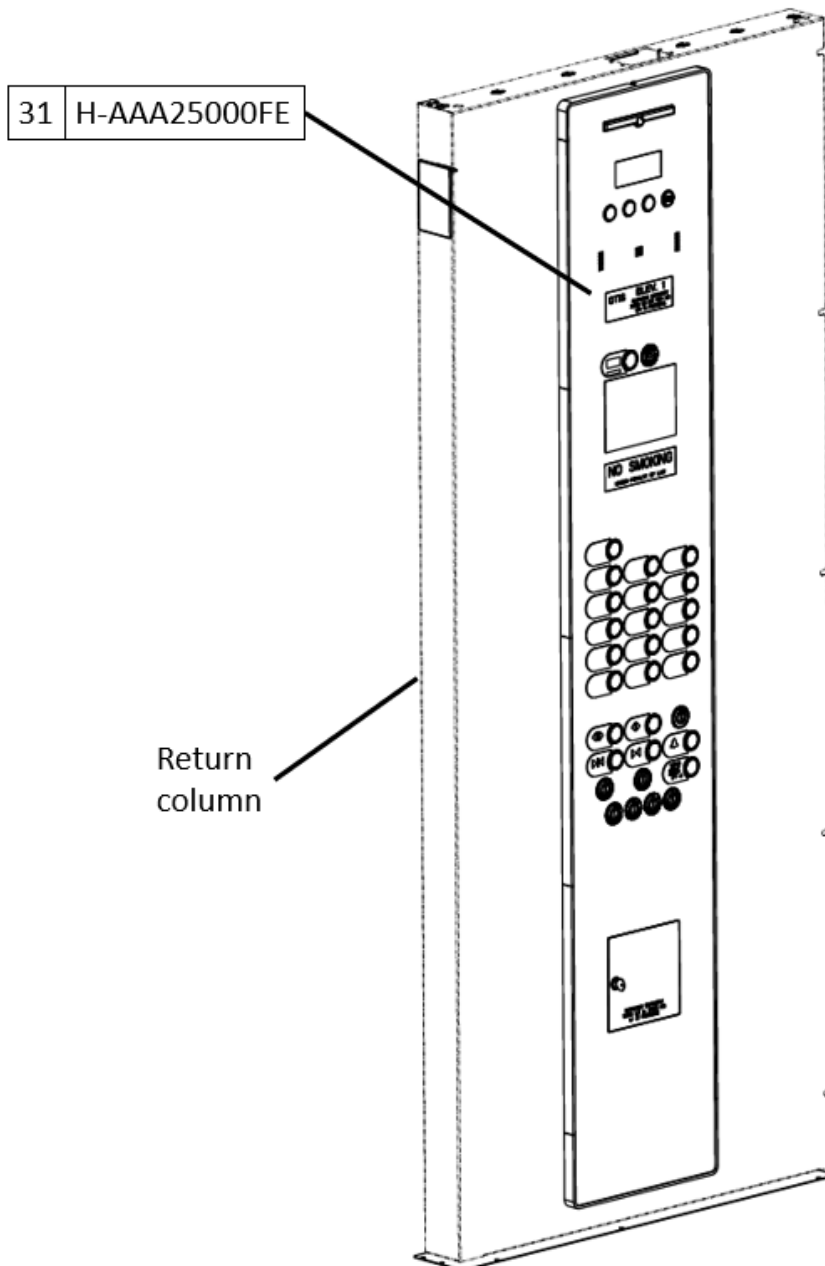


Applied Gen3[®] Core Car Operating Panel

Spare Parts Leaflet

31-AAA25000FE

June 19, 2024 / Page 1 of 16



OTIS

This document does not contain any
technical data subject to EAR or ITAR

SERVICE ENGINEERING
Otis Elevator Company
Bloomfield, Connecticut USA

Unpublished Work—© Otis Elevator Co.; 2024

31-AAA2500FE

History

Leaflet Description

This SPL covers all the lowest replaceable units (LRUs) for the one-, two-, and three-row car operating panel applications for Gen3 Core controllers and if properly equipped, meets the requirements of A17.1 2019/IBC2018.

Leaflet Revisions

Date Revised	SME	Reason for Revision
May 10, 2023	Paul Anthony	New SPL
May 24, 2023	Paul Anthony	Removed p/n GAA26800SJ1.
August 30, 2023	Wesley Layton	Replaced AAA512H1 with AAA512H2. Changed GAA26800SG3 to GAA26800SG3-OTISONE and added note for commissioning.
February 7, 2024	Sathyaraj Sellapandi	Added AAA396RA1, ADA26800ARH3 (p. 19), AAA639FK1 (p. 12). Added page 13 for position board for A17.1 2019 / IBC2018 voice-only product.
June 19, 2024	Sathyaraj Sellapandi	Power supply AAA386NVX3 replaced by AAA621AN45 (p. 15).

Related Drawings

Drawing No.	Title	Drawing No.	Title
AAA2500FE	COP, Basic Series	AAA2500FF	Terminal Panel, Car Operating Panel
ABA317T	Fire Fighter Cabinet		

Related Documents

Document ID	Title
SPL 31-AAA7144CM	Service Cabinet Assembly
SPL 31-AAA317Q	Firefighter's Cabinet Assembly
SPL 31-AAA340CV	Fixture—Part, Collar, Keyswitch and Jewel
SPL 32-AAA23851A	Fixture—Part, Keyswitch (Series 5 Fixture)
SPL 31-AAA250Q	Graphic Insert: AAA250Q, AAA250R, and AAA250S
SPL 31-AAA102VB	Instruction Plates
SPL 32-AAA23500CH	Pushbutton, Luxury Micro-Motion III
SPL 32-AAA323EE	Push Button

Subject Matter Expert

Name	Department
Vadzim Fedarenka	OSC Service Engineering
Sathyaraj Sellapandi	Florence Engineer

About Spare Parts Leaflets...

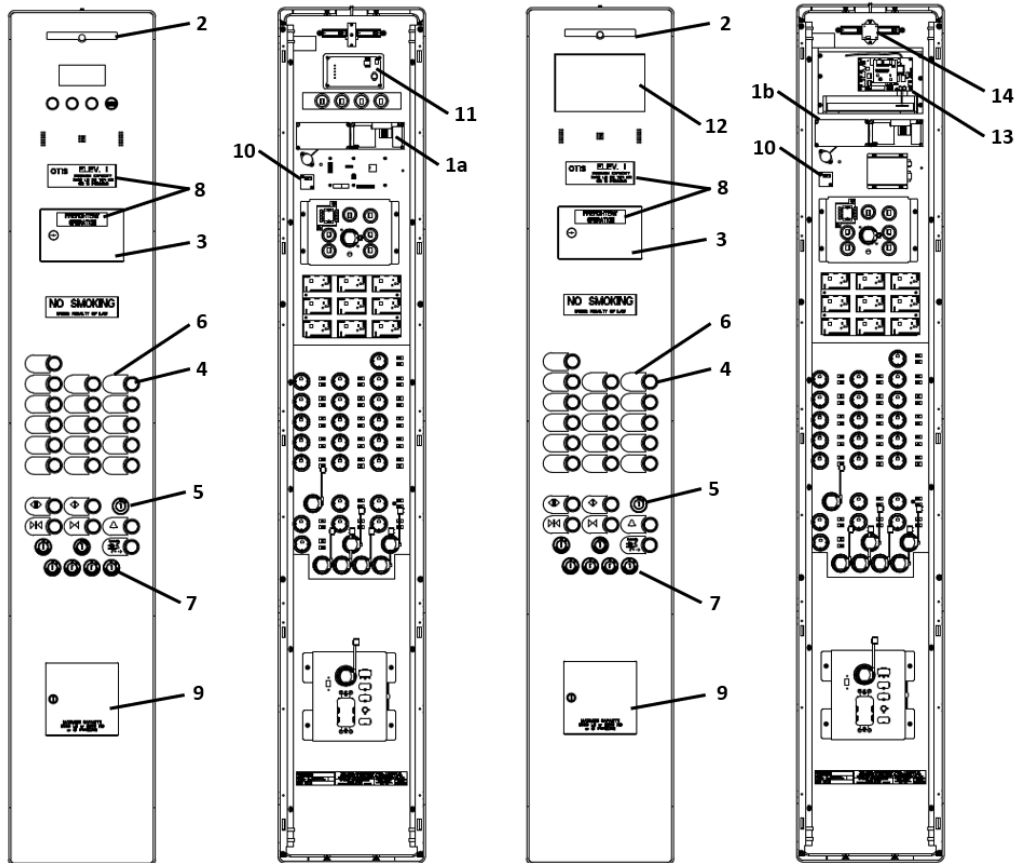
This document lists the lowest replaceable units (LRUs) for the standard version of the product. The LRUs are chosen by a team of Otis associates representing engineering and manufacturing.

While goal of this document is to make parts identification as easy as possible, the document cannot be all-inclusive. Elevator and escalator contracts classified as "special" or "custom" are not addressed here. For such contracts, please refer to specified information, the contract folder, TIPs, Field Education Articles, Construction Letters, etc. for further information.

If you have any suggestions about this document, please contact the subject matter expert listed on this page.

Table of Contents

31-AAA25000FE



Non-A17.1 2019 / IBC2018 Product

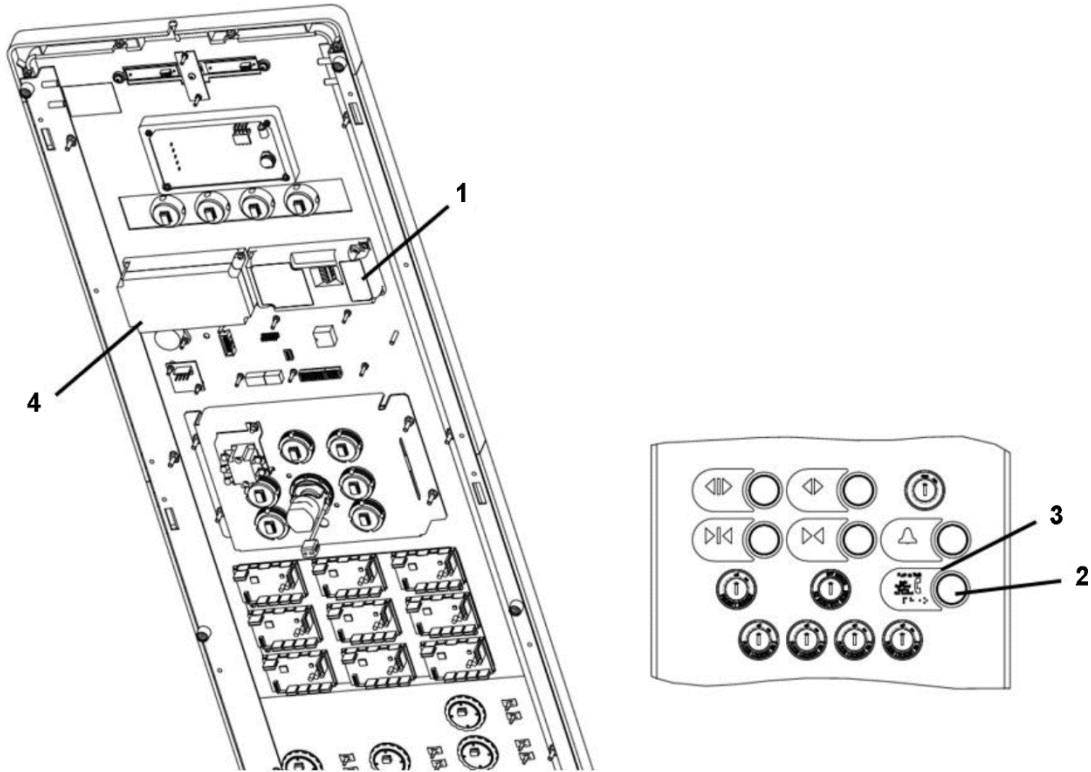
A17.1 2019 / IBC2018 Product

REF. No.	PAGE No.	DESCRIPTION
1a, 1b	4	ADA Phone Assembly
2	5	Emergency Stop Light and Devices
3	6	Firefighter's and Service Cabinet
4	7	Buttons
5	7	Collars
6	7	Graphics
7	7	Key switches
*	7	Nuts
*	8	In-Car Lantern
8	9	Labels and Certificate Holders
9	6	Service Cabinet
10	10	PC Boards
11	11	Position Indicator for Non-A17.1 2019 / IBC2018 No-Voice Product
12	12	Position Board for A17.1 2019 / IBC2018 Product
13	12	CPIB Board
14	12	Camera
*	13	Position Board for A17.1 2019 / IBC2018 Voice-Only Product
*	14	Terminal Panel for Non-A17.1 2019 / IBC2018 Product
*	15	Terminal Panel for A17.1 2019 / IBC2018 Product
*	16	Miscellaneous

* Not Shown

ADA Phone Assembly

31-AAA2500FE

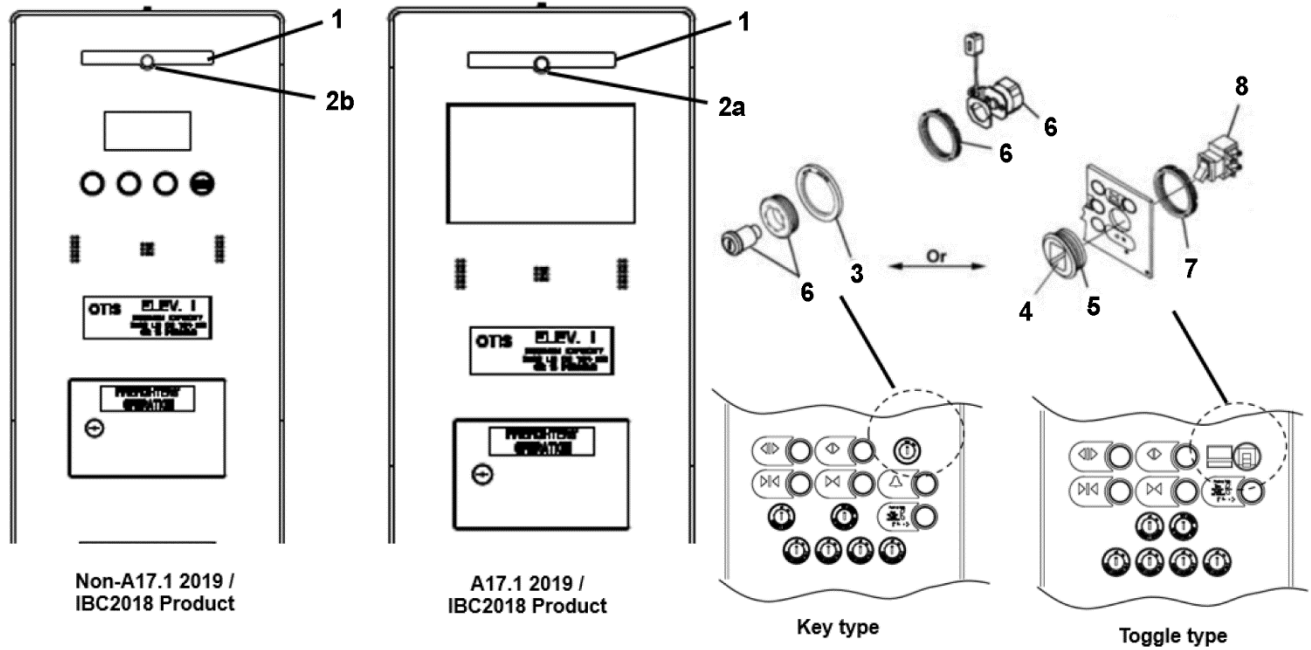


AAA2500FE		
REF. No.	PART No.	DESCRIPTION
1	AAA512H1 AAA512H2	Assembly, OAD & Speaker/Microphone, See SPL 31-AAA25300T
2	---	Button, Illuminating, Red Collar (ADA Phone), Type AAA23500CH. See SPL 32-AAA23500CH, SPL 32-AAA323EE
3	AAA250R1-IPHONE3	Button, Graphic, Ø,30 mm, Phone, with Braille and Instructions, CA Only, A17.1 2019/IBC 2018 Product
	AAA250R3-IPHONE3	Button, Graphic, Ø 36.5 mm, Phone, with Braille and Instructions, CA Only, A17.1 2019/IBC 2018 Product
	AAA250V1-IPHONE3	Button, Graphic, Ø 30 mm, Phone, with Braille and Instructions, non-CA Only, A17.1 2019/IBC 2018 Product
	AAA250V2-IPHONE3	Button, Graphic, Ø 36.5 mm, Phone, with Braille and Instructions, non-CA Only, A17.1 2019/IBC 2018 Product
*	A_A26800ARH_QS_NAA	Guide, Auto-Dialer Quick Start
4	AAA512A1	Intercom

* Not Shown

Emergency Stop Light & Devices

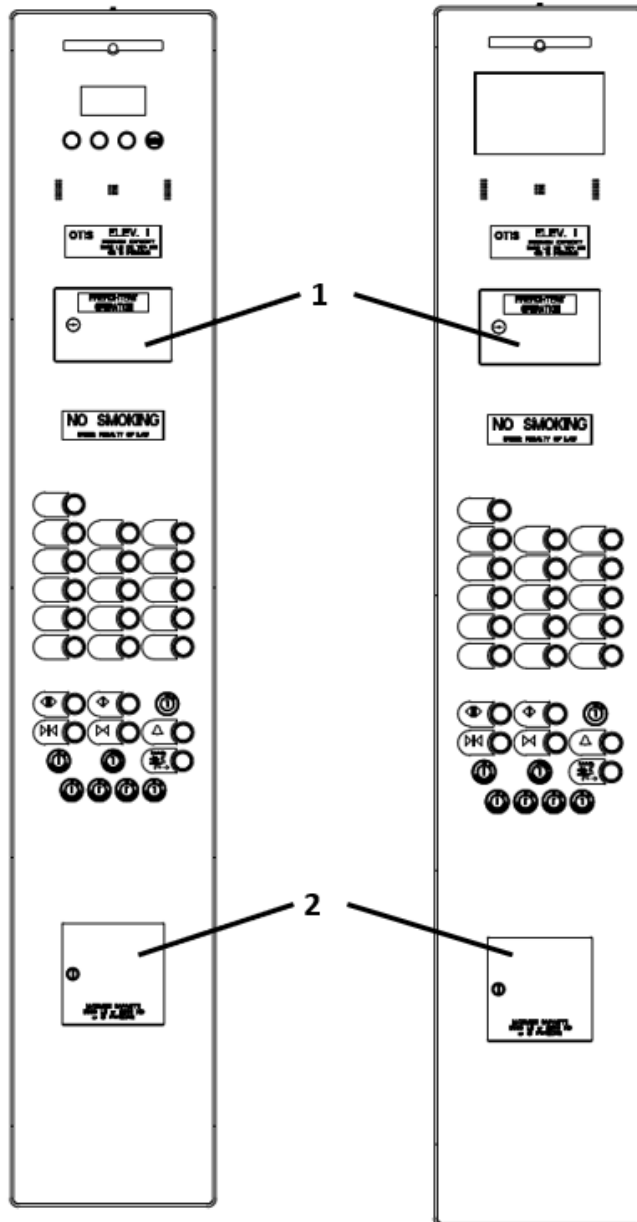
31-AAA2500FE



AAA2500FE		
REF. No.	PART No.	DESCRIPTION
1	AAA417DK1	Assembly, Lens, Emergency Light (w/ Luminaires)
2a	AAA180KS2	Camera
2b	AAA444EM1	Camera Hole Plug, ECL
3	AAA340CV28	Collar, In-Car Stop, Ref. 6. See SPL 31-AAA340CV
4	AAA250G4-STOPTGL	Graphic, In-Car Stop, for Toggle Switch
5	MAA396W1	Housing, Toggle Switch, for In-Car stop
6	- - -	Keyswitch, In-Car Stop, See SPL 32-AAA23851A
7	AAA72JZ1	Nut, For In-Car toggle switch and EMT jewel
8	6073F6	Switch, Toggle, for In-Car Stop

Firefighter's and Service Cabinet

31-AAA25000FE



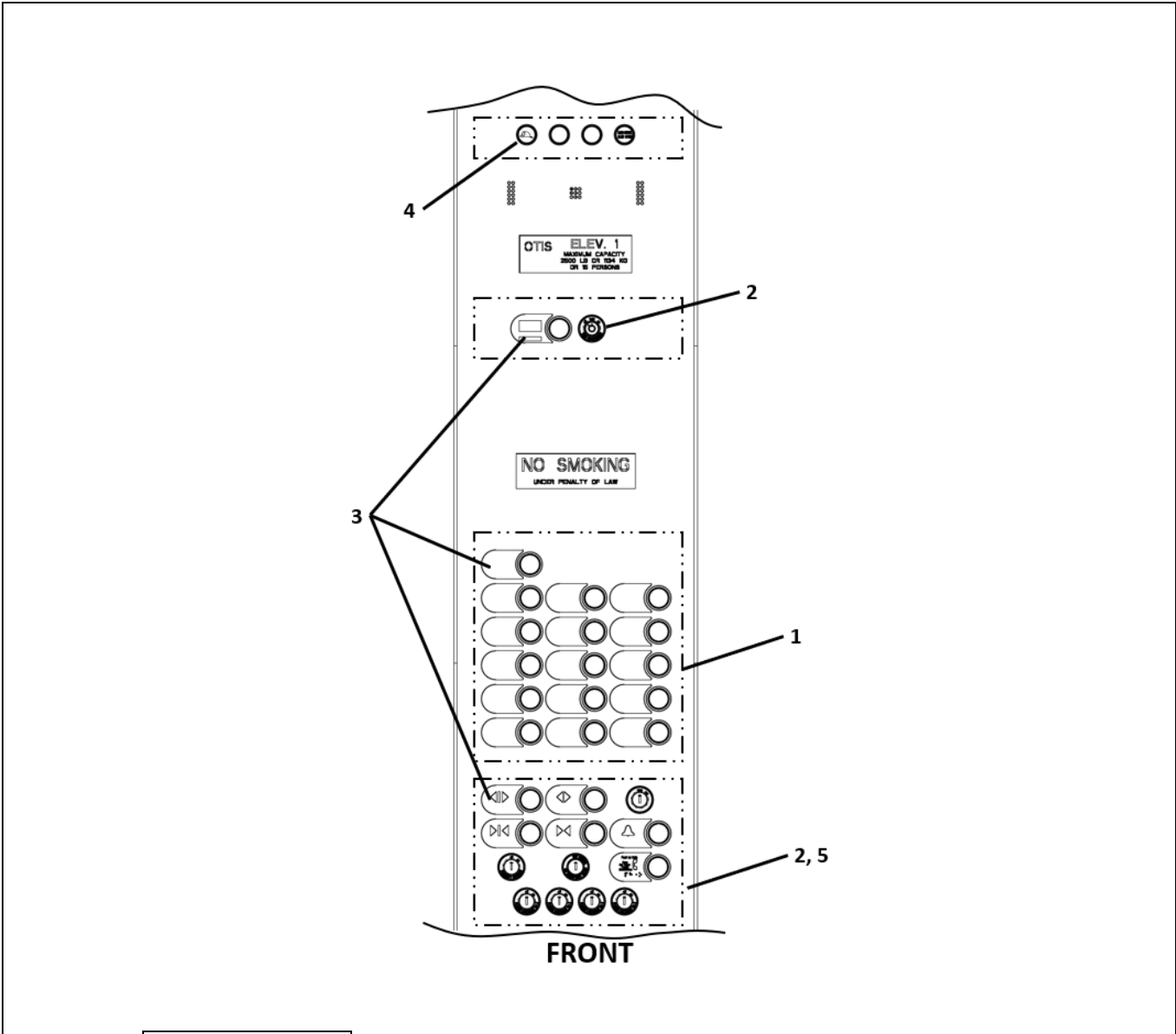
Non-A17.1 2019 / IBC2018 Product

A17.1 2019 / IBC2018 Product

AAA25000FE		
REF. No.	PART No.	DESCRIPTION
1	---	Cabinet, Firefighter's, Type ABA317T, See SPL 31-AAA317Q
2	---	Cabinet, Service, Type AAA7144CM, See SPL 31-AAA7144CM

Fixtures

31-AAA2500FE

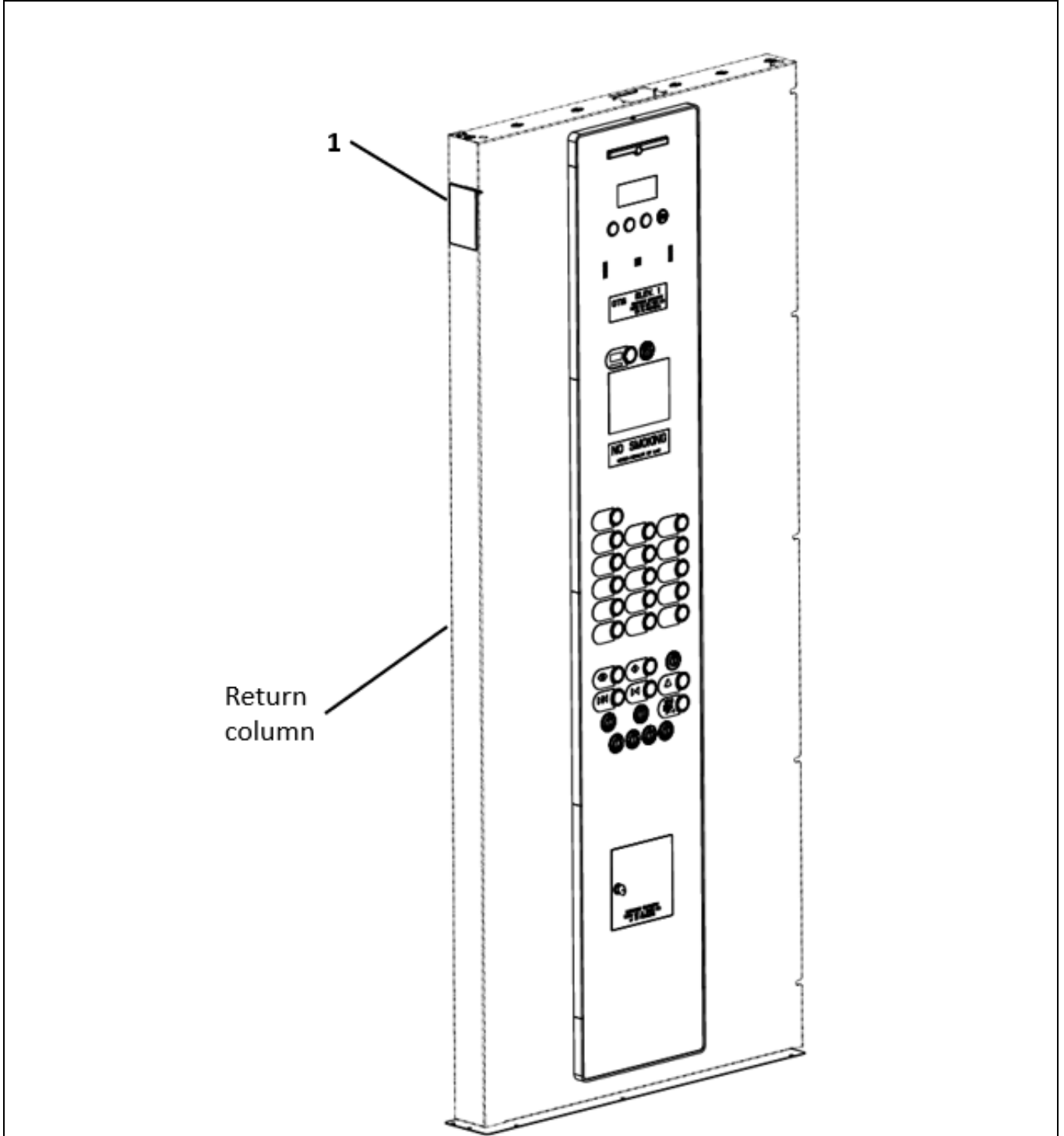


AAA2500FE		
REF. No.	PART No.	DESCRIPTION
*	---	Assembly, Phone Jack (not in fire cabinet), See SPL 32-AAA23851A
1	---	Buttons, Micro Motion III, See SPL 32-AAA23500CH, SPL 32-AAA323EE
2	---	Collars, French, Type AAA340CV, See SPL 31-AAA340CV
3	---	Graphics, Types AAA250Q1 & AAA250R1, See SPL 31-AAA250Q
4	AAA23500AL11	Jewel, Fire Hat
5	---	Keyswitches, Type AAA23851A, See SPL 32-AAA23851A
*	FAA72N1	Nut, Typical
*	AAA72JZ1	Nut, In-Car Stop Switch, Toggle Switch, and EMT Jewel

* Not Shown

In-Car Lantern

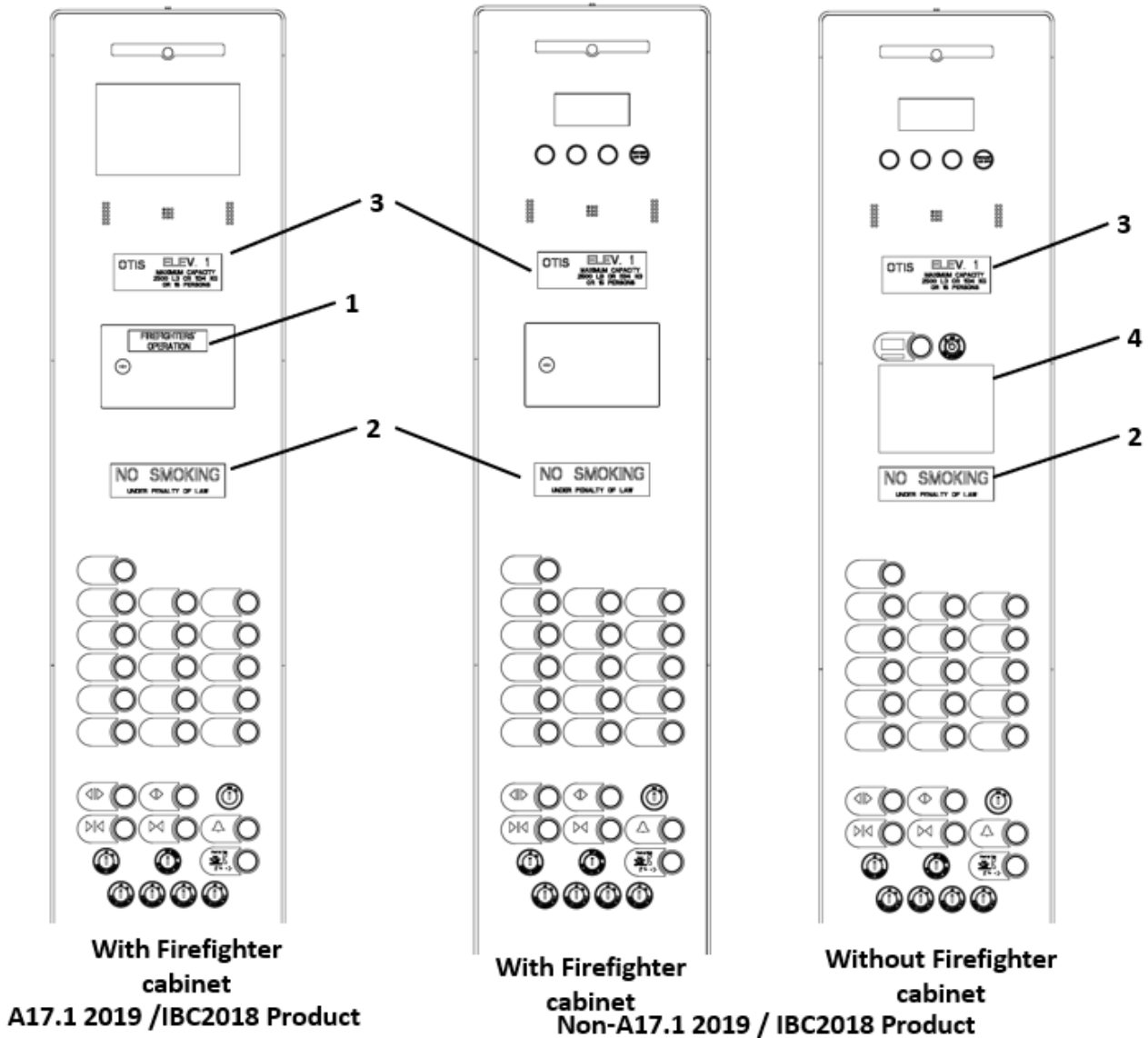
31-AAA2500FE



REF. No.	PART No.	DESCRIPTION
1	AAA23550AG1	Lantern, In-Car, Blue (Front & Rear Opening)

Labels & Certificate Holder

31-AAA25000FE

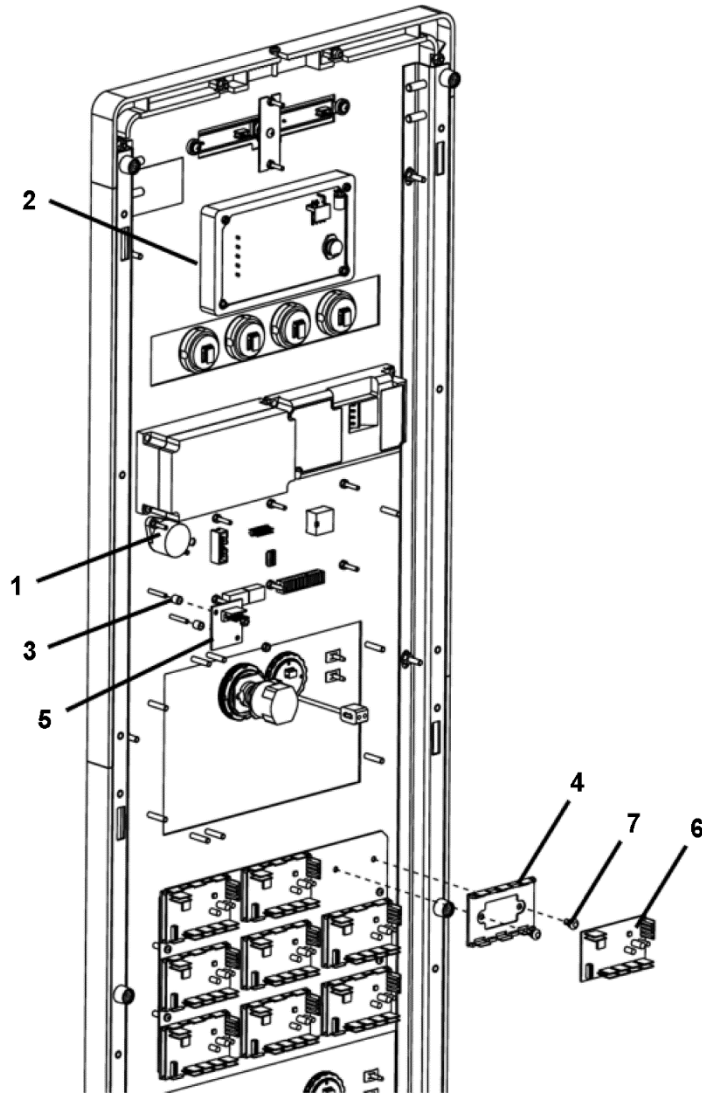


REF. No.	PART No.	DESCRIPTION
*	AAA25000DF9	Holder, Certificate Frame
1	AAA102VB114	Label, Firefighters' Operation (English). For cabinet door. See SPL 31-AAA102VB.
1	AAA102VB115	Label, Firefighters' Operation (French). For cabinet door.
2	AAA102VB108	Label, No Smoking, See SPL 31-AAA102VB.
3	AAA102VB113	Label, Data and Capacity, See SPL 31-AAA102VB.
4	- - -	Label, Fire Operation. For COP face panel. See SPL 31-AAA102VB.

* Not Shown

PC Boards

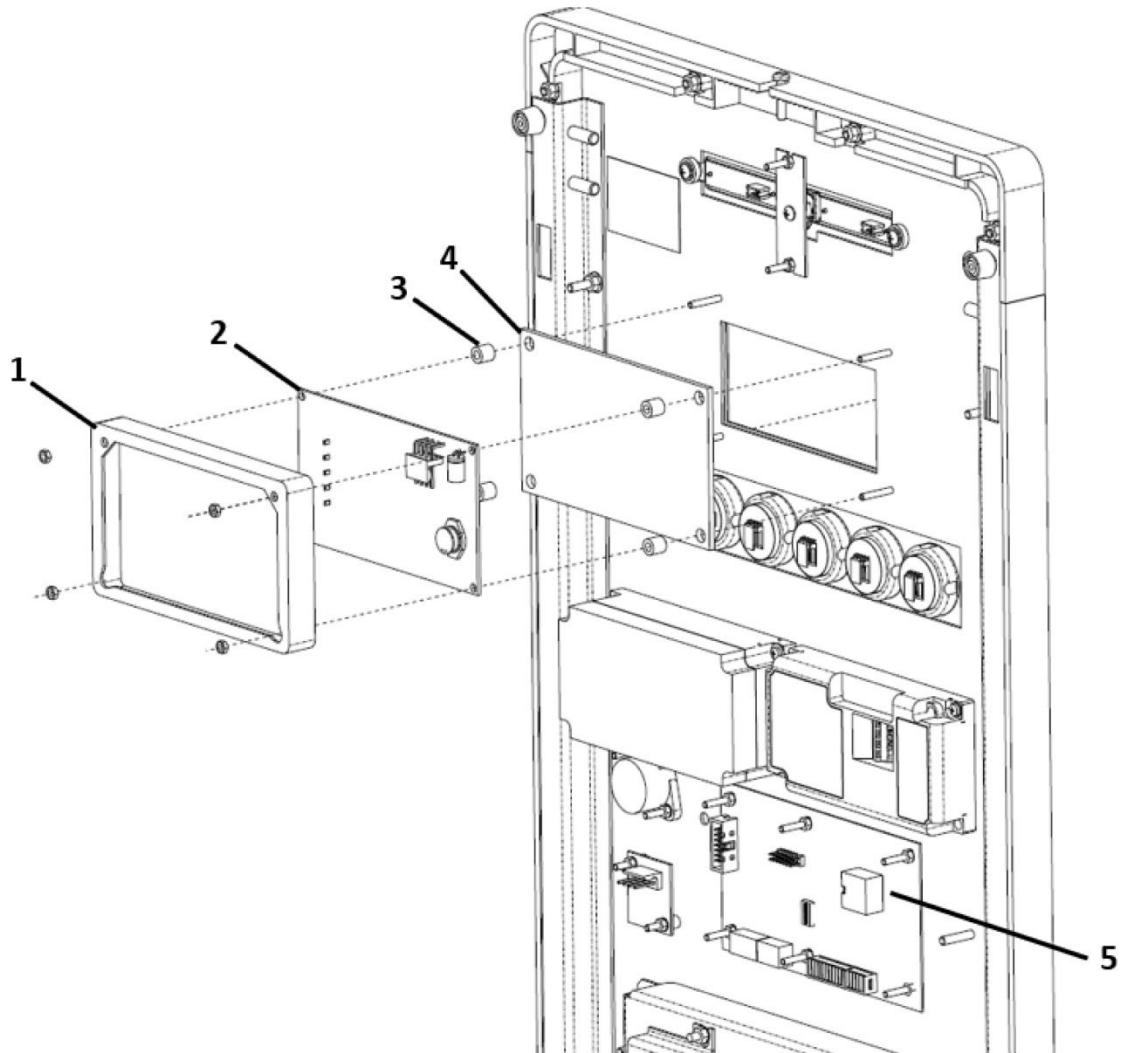
31-AAA2500FE



AAA2500FE		
REF. No.	PART No.	DESCRIPTION
1	6219F2	Buzzer
2	AAA396RA1	Cover
3	354CD108	Distance Piece for Line Terminator
4	FBA316SL2	Holder, PC Board. For RS14 board
5	9693J2	PC Board, Line Terminator
6	DCA26800AL1	PC Board, RS14
7	AAA141AN1	Rivet, Snap

**Position Indicator for Non-A17.1 2019/
IBC2018 No Voice Product**

31-AAA25000FE

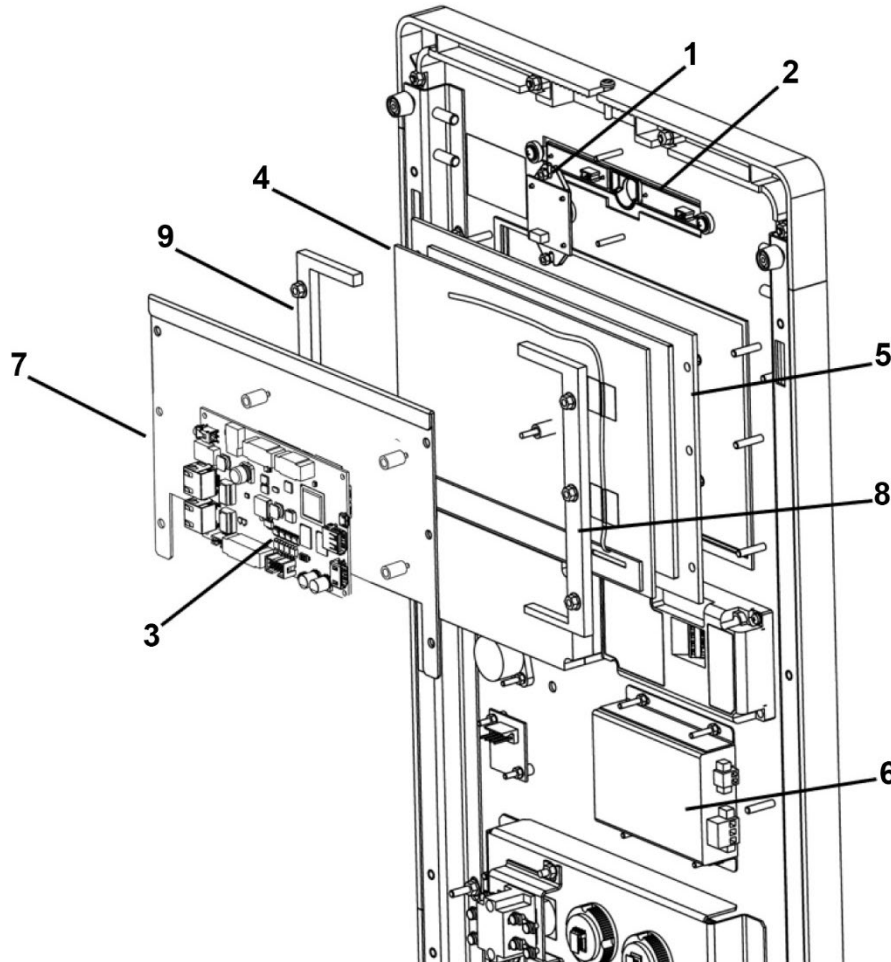


AAA25000FE		
REF. No.	PART No.	DESCRIPTION
1	AAA396RA1	Cover
2	DAA26800AM1	Display, Position Indicator
3	AAA462AL3	Distance Piece, Position Indicator
4	AAA449CB1	Lens, Position Indicator
5	ADA26800ARH3	OAD Board

Position Board

31-AAA25000FE

for A17.1 2019 / IBC2018 Product

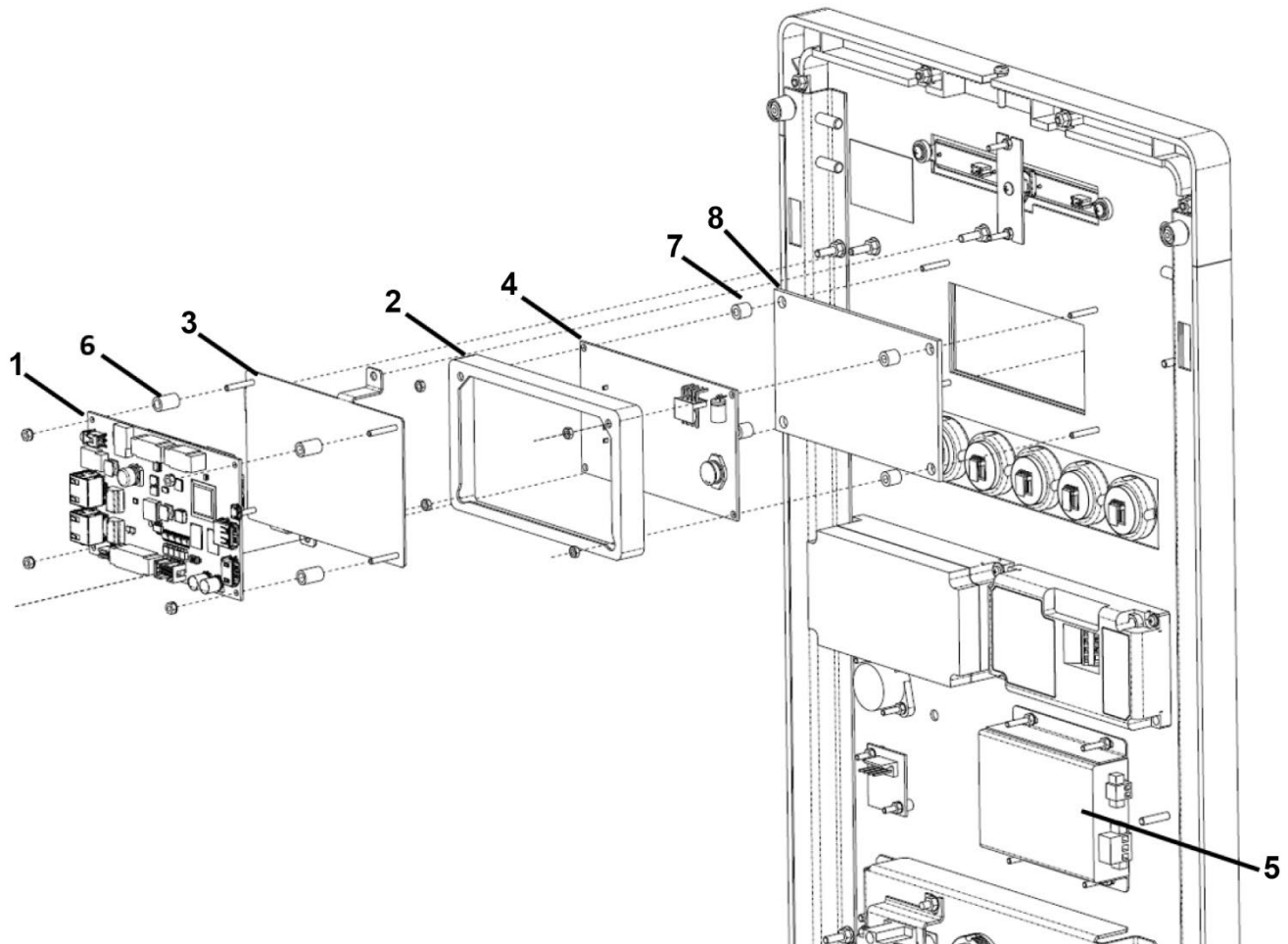


AAA25000FE		
REF. No.	PART No.	DESCRIPTION
1	AAA180KS2	Assembly, Camera
2	AAA417DK1	Assembly, Lens, Emergency Light (w/ Luminaires), A17.1 2019 / IBC2018 Product
3*	GAA26800SG3 GAA26800SG3-OTISONE	Board, PC, CPIBv2, Otis One, 2-Way Video Application
4	EEAA424A1	Display, e-View
5	AAA443GS2	Lens, e-View
6	AAA639FK1	Media Converter
7	AAA386PBA2	Plate, Back, e-View
8	AAA374AFH1	Support Frame, e-View, Left Hand
9	AAA374AFH2	Support Frame, e-View, Right Hand

* Provide machine number when ordering for commissioning of the board prior to shipment.

**Position Board for A17.1 2019 /
IBC2018 Voice only Product**

31-AAA25000FE

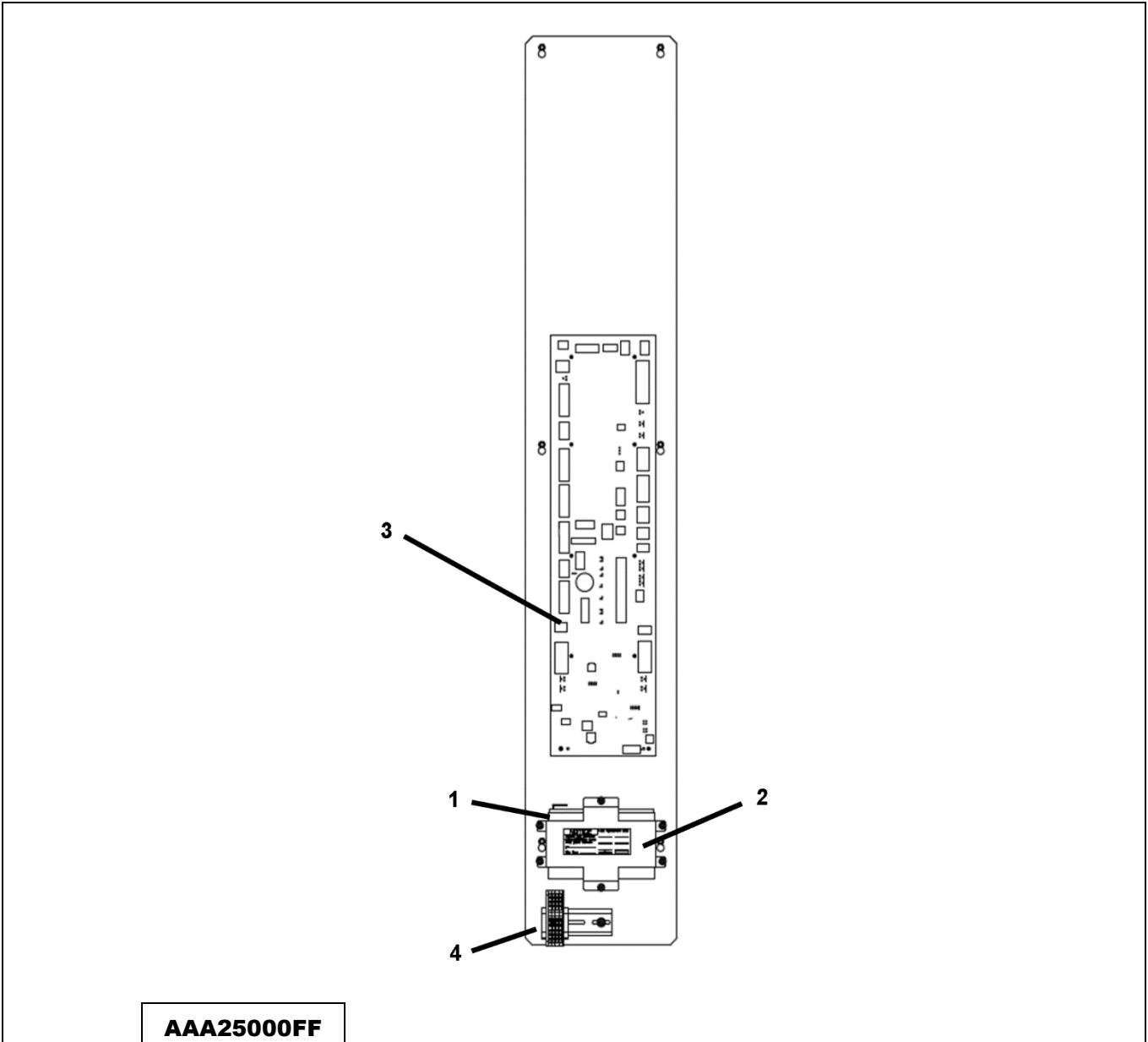


AAA25000FE		
REF. No.	PART No.	DESCRIPTION
1	GAA26800SG3-OTISONE	Board, PC, CPIBv2, Otis One, 2-Way Video Application
2	AAA396RA1	Cover
3	AAA316LHM2	CPIB Bracket
4	DAA26800AM1	Display, Position Indicator
5	AAA639FK1	Media Converter
6	AAA462AL4	Distance Piece
7	AAA462AL3	Distance Piece, Position Indicator
8	AAA449CB1	Lens, Position Indicator

Terminal Panel

31-AAA2500FE

Non-A17.1 2019 / IBC2018 Product



REF. No.	PART No.	DESCRIPTION
	AAA2500FF	
1	AAA718E22	Battery, 12 Volt, 9 Amp/H
2	AAA316KZV2	Bracket, Battery
*	AAA25400GF1	Cable, Electrical, Battery Backup
*	AAA25400GE3	Cable, Electrical, K-002 Blocking Device Option
3	WCA26800K1	PCB, Car Interface, Gen3 Core with Battery Charger
4	401B100	Rail, Mounting (for terminal block)

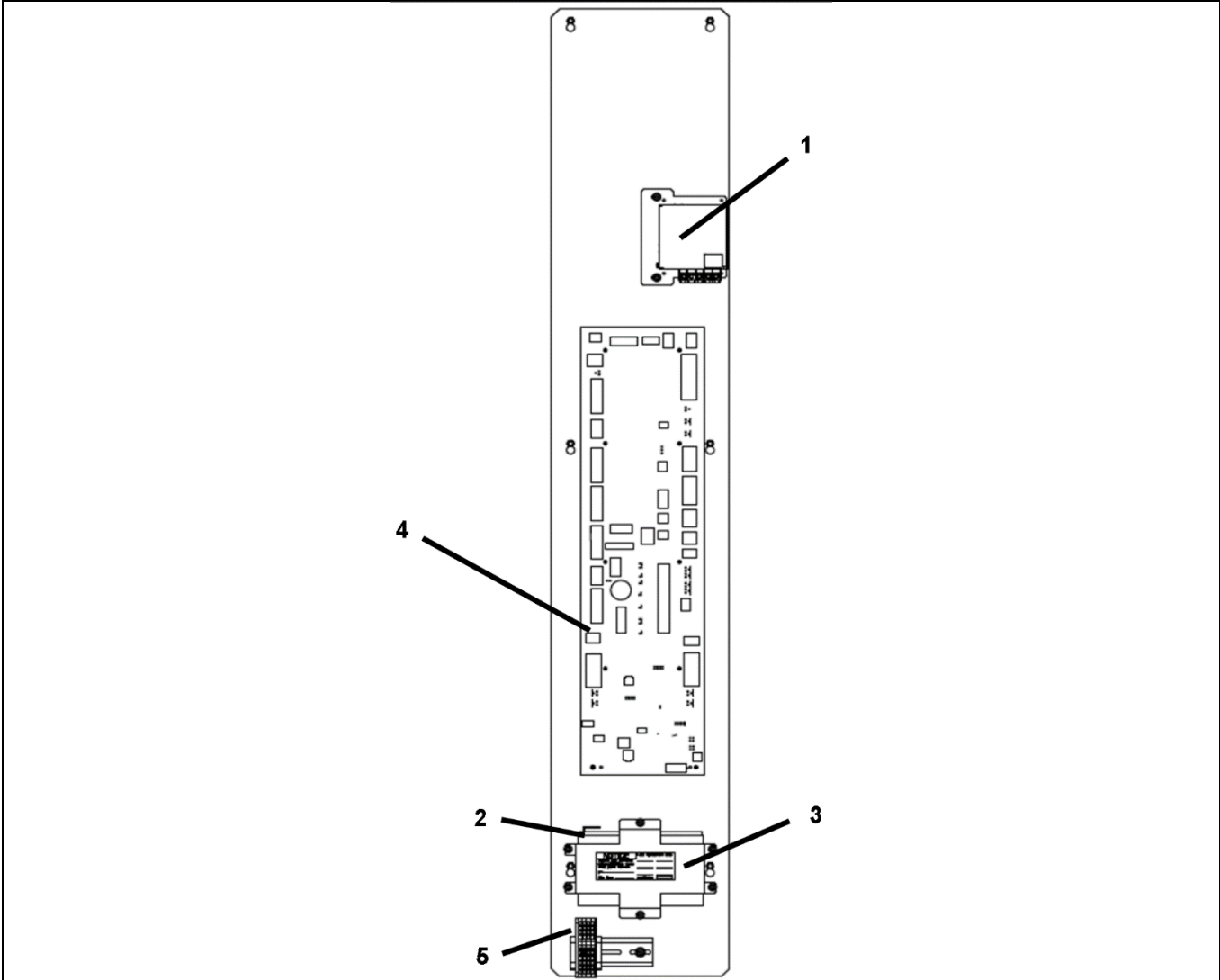
NOTE: See p. 14 for A17.1 2019 / IBC2018 Product parts.

* Not Shown

Terminal Panel

A17.1 2019 / IBC2018 Product

31-AAA2500FE

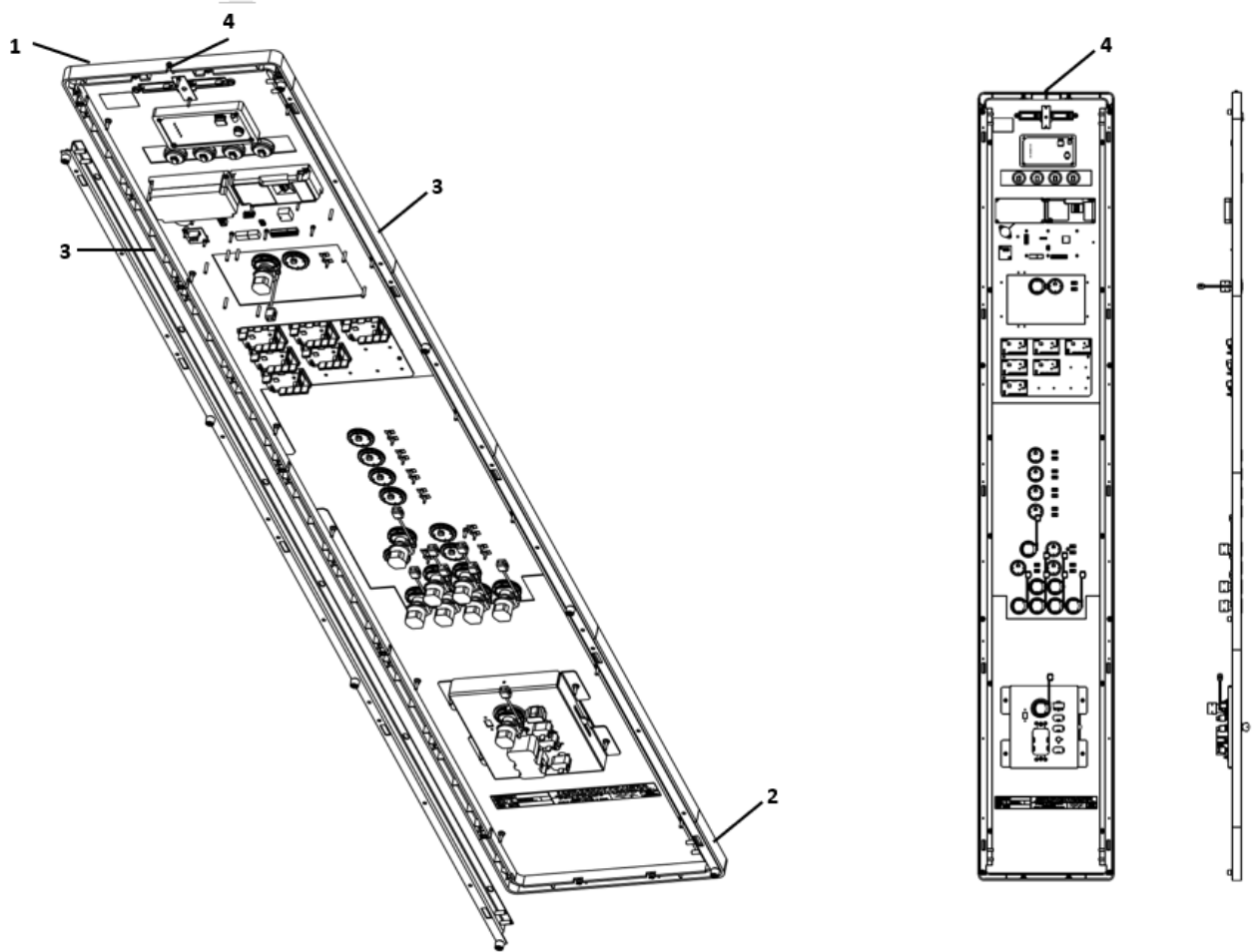


	AAA2500FF	
REF. No.	PART No.	DESCRIPTION
1	AAA386NVX3 AAA621AN45	Assembly, Power Supply
2	AAA718E22	Battery, 12 Volt, 9 Amp/H
3	AAA316KZV2	Bracket, Battery
*	AAA25400GF1	Cable, Electrical, Battery Backup
*	AAA25400GF2	Cable, Electrical, Power Supply
*	AAA25400GE3	Cable, Electrical, K-002 Blocking Device Option
4	WCA26800K1	PCB, Car Interface, Gen3 Core w/ Battery Charger
5	401B100	Rail, Mounting (for terminal block)

* Not Shown.

Miscellaneous

31-AAA2500FE



AAA2500FE		
REF. No.	PART No.	DESCRIPTION
1	AAA374AFM1	Bezel, Top
2	AAA374AFM2	Bezel, Bottom
3	AAA374AFN1	Bezel, Side
4	AAA124HE5	Screw, Tamper-Resistant, M4x20, FS4/SSB Brushed Stainless Finish