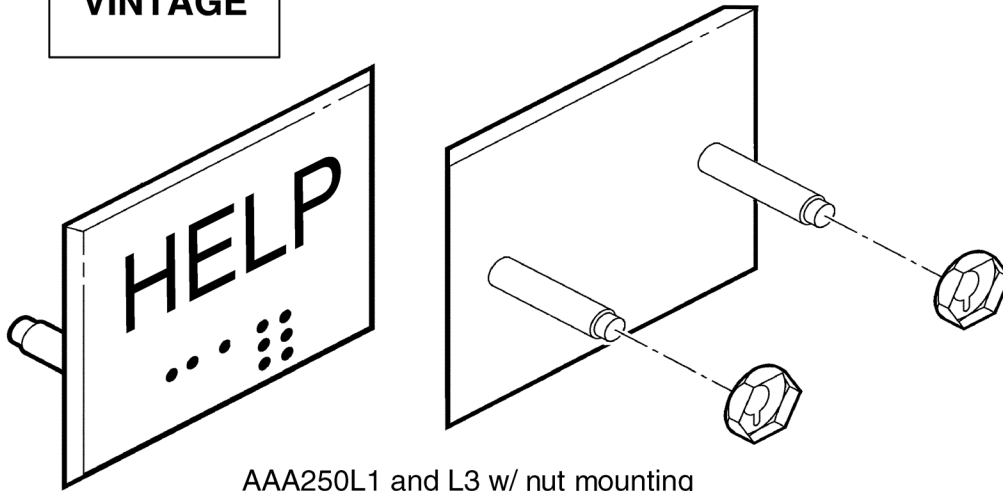


Graphic Inserts: Call/Help (Braille)

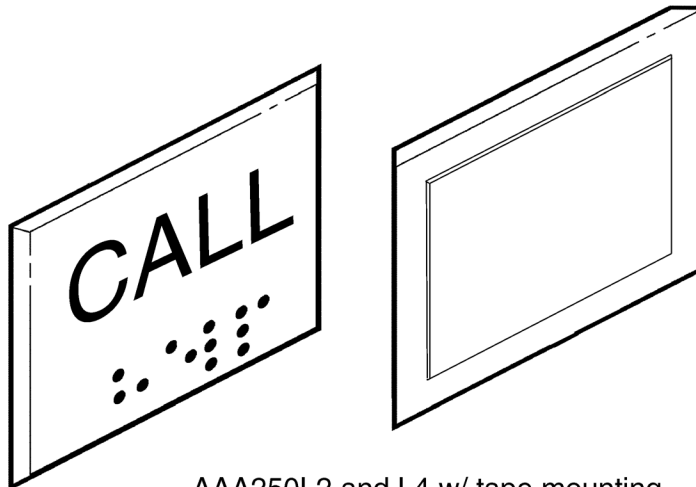
Spare Parts Leaflet 31-AAA250L

August 5, 2009 / Page 1 of 3

W/O
VINTAGE



AAA250L1 and L3 w/ nut mounting
CALL or HELP markings respectively



AAA250L2 and L4 w/ tape mounting
CALL or HELP markings respectively

Leaflet Description

This leaflet provides parts information for type AAA250L graphic inserts. These Braille graphic inserts are black zinc die cast molded tags with raised white, bronze, or stainless steel characters. All Braille is English, unless otherwise indicated.

Leaflet Revisions

Date Revised	Subject Matter Expert	Reason for Revision
March 3, 2005	Joseph D. Zych	Spare parts information: new leaflet
August 5, 2009	Joseph D. Zych	Updated artwork on the cover and p. 3

Related Drawings

Drawing No.	Title	Drawing No.	Title
AAA250L	Graphic Insert Call/Help (Braille)		

Related Documents

Document ID	Title
31-AAA250G	Advanced Fixtures: Graphic Inserts
31-AAA250Q	Graphic Inserts: AAA250Q, AAA250R, and AAA250S

Subject Matter Expert

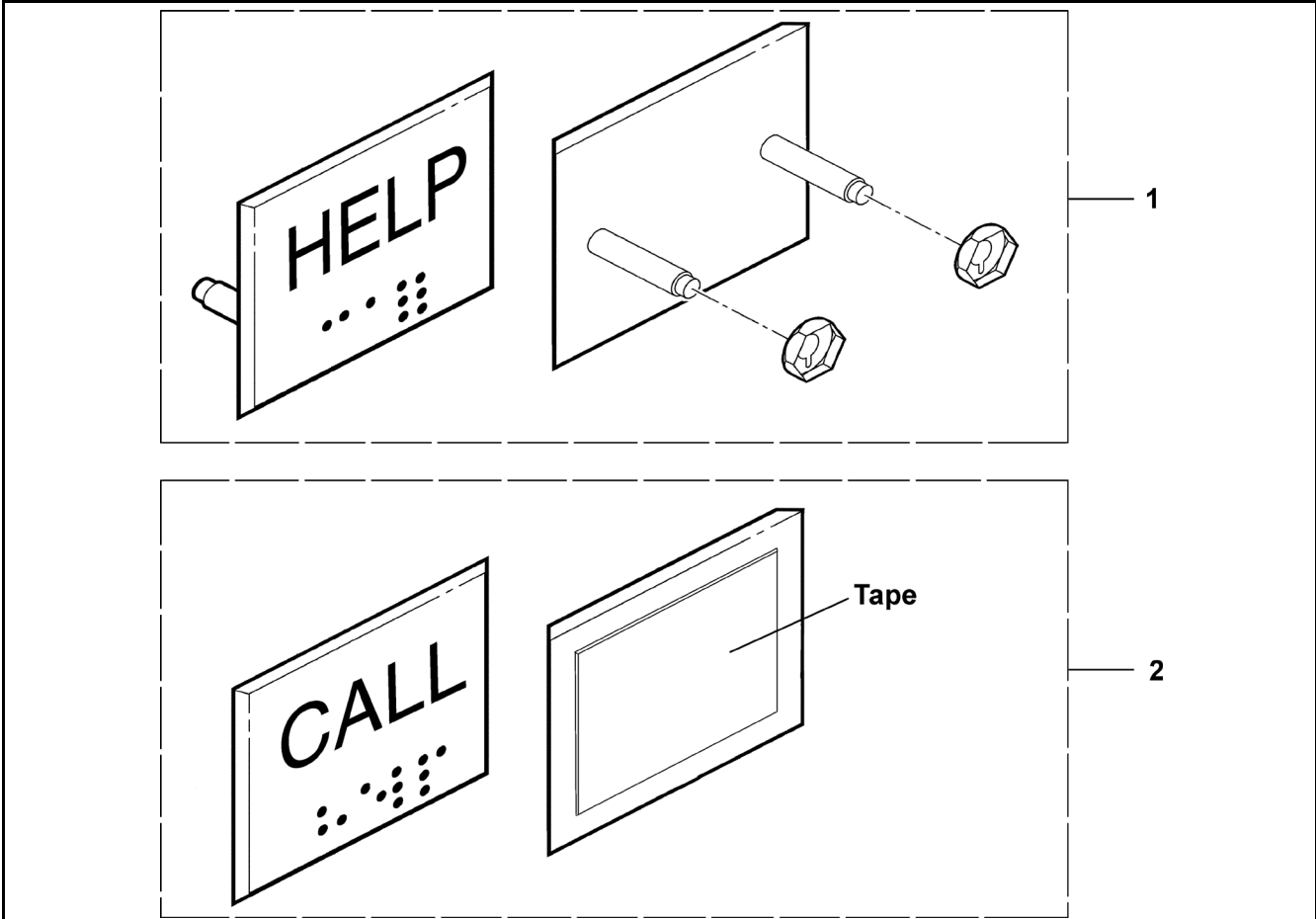
Name	Department
Joseph D. Zych	OSC Service Engineering

About Spare Parts Leaflets...

This document lists the lowest replaceable units (LRUs) for the standard version of the product. The LRUs are chosen by a team of Otis associates representing engineering and manufacturing.

While goal of this document is to make parts identification as easy as possible, the document cannot be all-inclusive. Elevator and escalator contracts classified as "special" or "custom" are not addressed here. For such contracts, please refer to specified information, the contract folder, TIPs, Field Education Articles, Construction Letters, etc. for further information.

If you have any suggestions about this document, please contact the subject matter expert listed on this page.



W/O VINTAGE		
REF. No.	PART No.	DESCRIPTION
1	AAA250L1	Insert, "CALL," Two AAA72HD1 Nuts; White Markings on Black Background
	AAA250L1-BR7	Insert, "CALL," Two AAA72HD1 Nuts; Brushed Bronze Markings on Black Background
	AAA250L1-SS4	Insert, "CALL," Two AAA72HD1 Nuts; Brushed Stainless Steel Markings on Black Background
	AAA250L3	Insert, "HELP," Two AAA72HD1 Nuts; White Markings on Black Background
	AAA250L3-BR7	Insert, "HELP," Two AAA72HD1 Nuts; Brushed Bronze Markings on Black Background
	AAA250L3-SS4	Insert, "HELP," Two AAA72HD1 Nuts; Brushed Stainless Steel Markings on Black Background
2	AAA250L2	Insert, "CALL," Adhesive Tape; White Markings on Black Background
	AAA250L2-BR7	Insert, "CALL," Adhesive Tape; Brushed Bronze Markings on Black Background
	AAA250L2-SS4	Insert, "CALL," Adhesive Tape; Brushed Stainless Steel Markings on Black Background
	AAA250L4	Insert, "HELP," Adhesive Tape; White Markings on Black Background
	AAA250L4-BR7	Insert, "HELP," Adhesive Tape; Brushed Bronze Markings on Black Background
	AAA250L4-SS4	Insert, "HELP," Adhesive Tape; Brushed Stainless Steel Markings on Black Background