

E-Display Assembly

Spare Parts Leaflet

31-AAA25300B

April 1, 2001 / Page 1 of 6

Supersedes SPL 31-AAA25300B Dated December 1, 2000



Unpublished Work—© Otis Elevator Co.; 2001

OTIS

Safety First!

SERVICE ENGINEERING

Otis Elevator Company
Bloomfield, Connecticut USA

History

31-AAA25300B

First Published: December 1, 2000

E-Display Assembly

REVISED DATE	RESPONSIBLE ENGINEER	PRIMARY REASON FOR REVISION
April 1, 2001	John Doane	Correct parts description on pages 3 & 6
December 1, 2000	John Doane	Initial leaflet

Leaflet Description

This leaflet provides information on replaceable parts for an E-Display assembly.

RELATED LEAFLET NUMBERS	TITLES
---	---

DRAWING REFERENCES	
AAA25300B	AAA21303CC
AAA25300C	AAA174ZU
AAA25300D	621AE
AAA25300G	AAA177EN
AAA25300F	AAA374XZ
AAA639BZ	AAA443EE

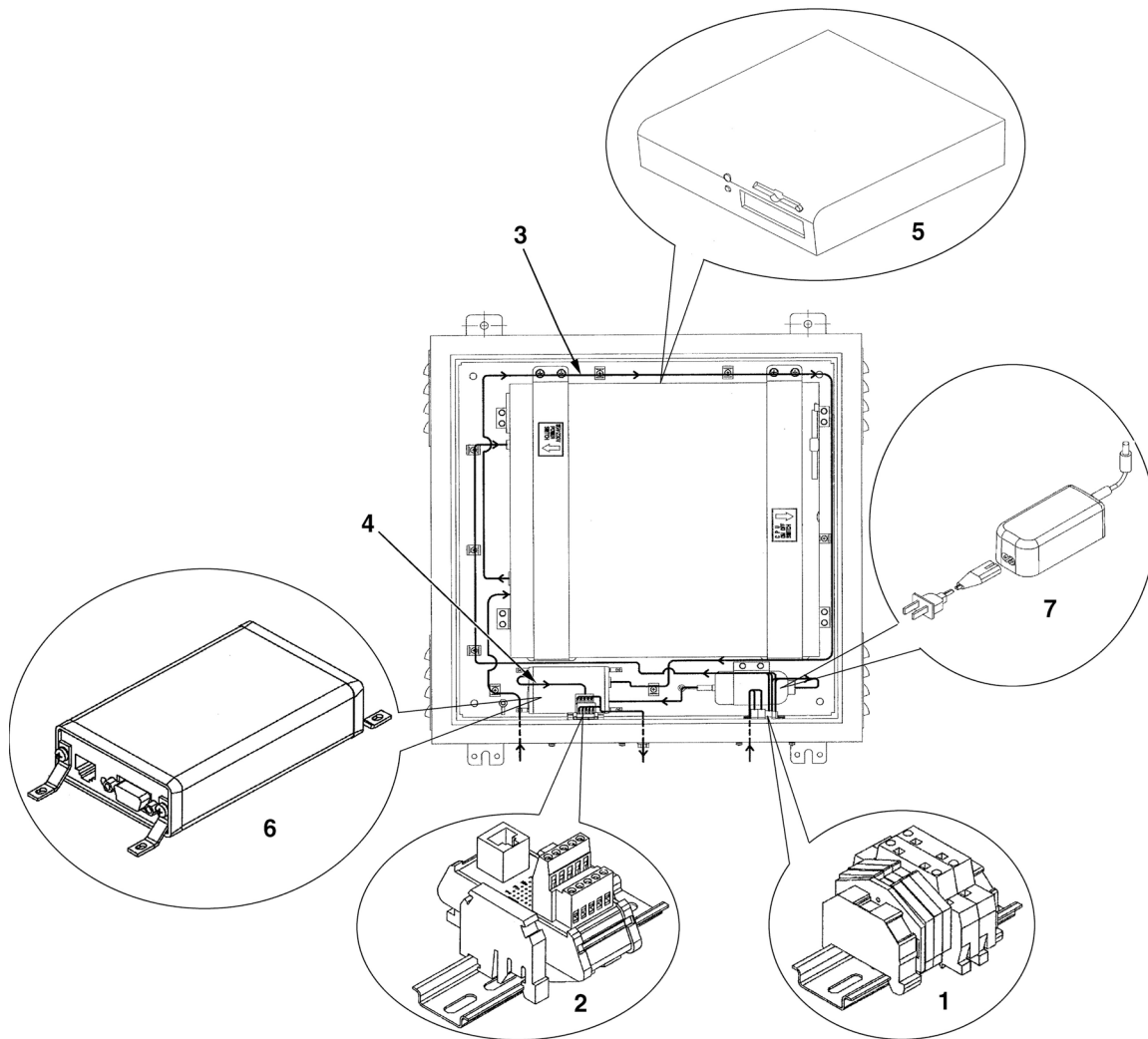
RELATED DOCUMENT NUMBERS	TITLES
ID-20.8	E-Display

This Spare Parts Leaflet (SPL) is prepared to assist you in determining the Lowest Replaceable Units (LRU) supported by the Otis Service Center for the standard version of the product titled on the preceding page. The parts are chosen by Otis associates from: Engineering, Field Engineering, Service Engineering, and Manufacturing. We attempt to make part identification as easy as possible. The SPL, however, cannot be all inclusive. Elevator and escalator contracts classified as either "special" or "custom" are not addressed. Alternative sources of information such as: the Contract Folder, Technical Information Publications, Field Education Articles, Construction Letters, etc. may give the information you are after. You live in the real world of maintaining your elevator and escalator contracts. On a daily basis, situations arise regarding parts identification and at times, for some reason, the part you need is not in the SPL. If you think a standard part not listed should be—let us know. We will respond.

John Doane—OSC Service Engineering

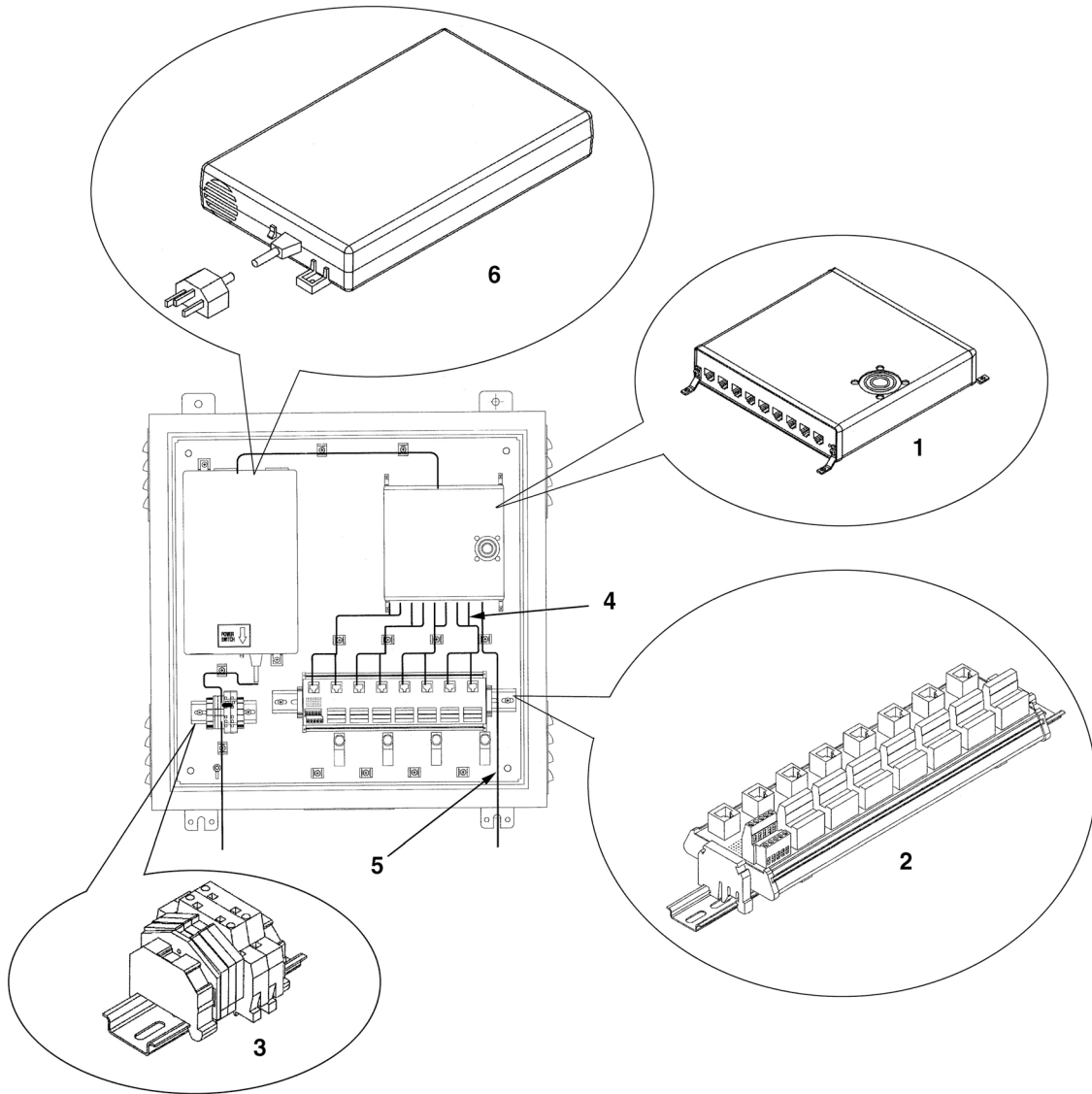
CPU Enclosure Components

31-AAA25300B



REF. NO.	AAA25300C PART or ML	DESCRIPTION
1	AAA21303CC3	Block, Terminal
2	AAA21303CC4	Block, Terminal (single car)
3	AAA174ZU1	Cable, VGA, L = 6 ft.
4	AAA174ZU2	Cable, Cat5 Patch Cord, L = 1 ft.
5	AAA639BZ1	Computer (NAA, France, and UK modem configuration)
	AAA639BZ2	Computer (Australian modem configuration)
6	AAA25300G10	Transmitter, Multi-Car
	AAA25300G8	Transmitter, Point-to-Point (single car)
7	AAA25300G5	Transmitter, Power Supply

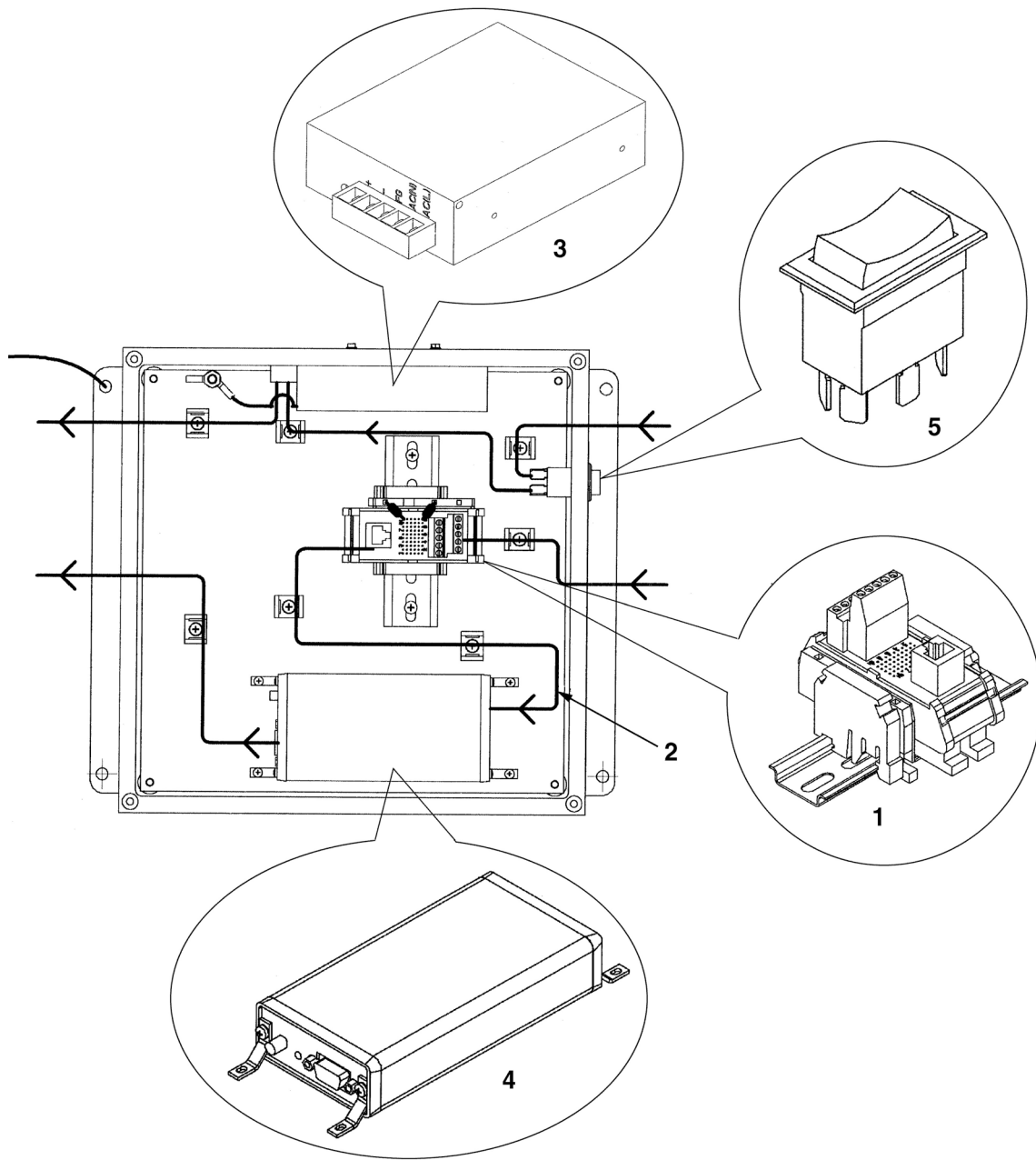
Distribution Amplifier Components



REF. NO.	AAA25300D PART or ML	DESCRIPTION
1	AAA25300G7	Amplifier, Distribution
2	AAA21303CC2	Block, Terminal
3	AAA21303CC3	Block, Terminal w/Surge Protector
4	AAA174ZU2	Cable, Cat5 Patch Cord, L = 1 ft.
5	AAA174ZU3	Cable, Cat5 Patch Cord, L = 25 ft.
6	AAA25300G6	Power Supply, VGA

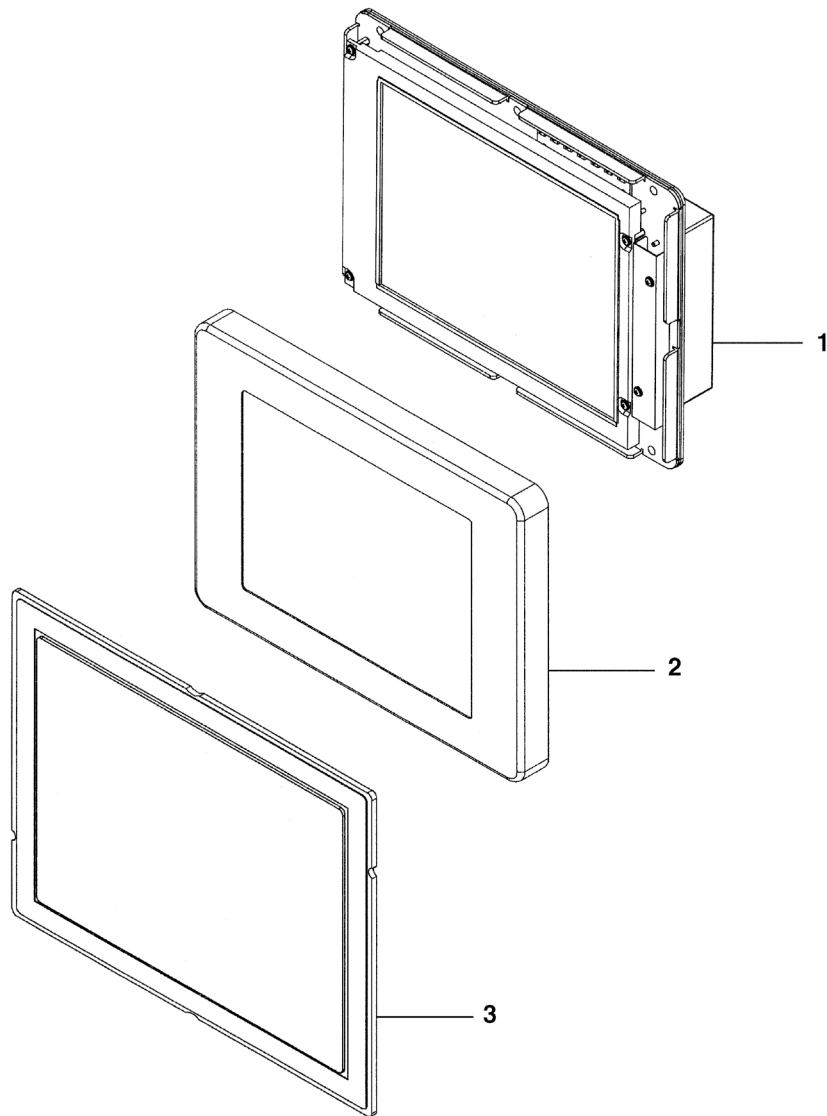
On-Car Enclosure Components

31-AAA25300B



REF. NO.	AAA25300E PART or ML	DESCRIPTION
1	AAA21303CC1	Block, Terminal
2	AAA174ZU2	Cable, Cat5 Patch Cord, L = 1 ft.
3	621AE5	Power Supply
4	AAA25300G9	Receiver, Video
5	AAA177EN4	Switch, Toggle Rocker Style

LCD Display Assembly



REF. NO.	W/O VINTAGE	
	PART or ML	DESCRIPTION
1	AAA25300F2	Assembly, LCD, 10.4 in.
*	AAA25300F3	Cable, VGA Video
*	AAA25300F4	Cable, DC Power
2	AAA374XZ1	Black Matte Finish
	AAA374XZ2	Brushed Bronze Finish
	AAA274XZ3	Brushed Stainless Steel Finish
	AAA374XZ4	Black Matte Finish w/Otis Logo
	AAA374XZ5	Brushed Bronze Finish w/Otis Logo
	AAA374XZ6	Brushed Stainless Steel Finish w/Otis Logo
3	AAA443EE1	Shield & Gasket, Vandal

* Part not shown.