

**Otis and EMS Phones,  
Accessories, and  
Intercoms**

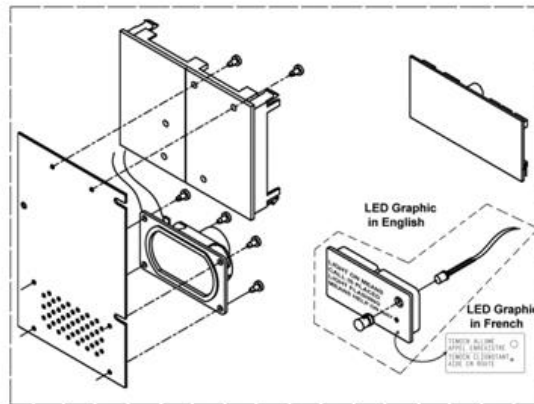
**Spare Parts Leaflet**

**31-AAA25300T**

**March 8, 2023 / Page 1 of 31**

# OBSOLESCENCE NOTICE

Some of the products covered in this SPL have been designated as obsolete and are no longer supported. See TIP 32.2-1, *Obsolete Components*, for potential upgrades. Replacement lower-level parts listed within and unique to these obsolete designs will be reviewed for obsolescence.



Otis ADA Phones



EMS Phones



ADA Phone Accessories



Auto-Dailer or Intercom

# OTIS

This document does not contain any technical data subject to EAR or ITAR

**SERVICE ENGINEERING**

**Otis Elevator Company**

**Bloomfield, Connecticut USA**

Unpublished Work—© Otis Elevator Co.; 2023

**Leaflet Description**

This leaflet details the Otis ADA, EMS, and OAD phone assemblies, flood operations COP kits as well as accessories and intercom parts.

**Leaflet Revisions**

<b>Date Revised</b>	<b>Subject Matter Expert</b>	<b>Reason for Revision</b>
January 12, 2005	Paul Kerr	New SPL
May 26, 2006	Joseph D. Zych	Added EMS Phones, Accessories, and Intercom Parts
August 5, 2008	Joseph Zych	Added parts on pp. 7–11 and 13.
April 14, 2010	Michael Bertini	Added reference to 6599F phone jack assembly on p. 21
September 5, 2012	Joseph Zych	Added OAD phone, updated ADA, and EMS phone parts
November 4, 2014	Joseph Zych	Removed highlighting; Corrected history page; Corrected Ref. 6–7 on p. 11
June 28, 2017	Joseph Zych	Added p/ns AAA7145CP2, ACA26800ARH2, ACA26800ARH3, and AAA512H1
June 6, 2018	Joseph Zych	Updated Ref. 7 on p. 11
August 29, 2018	Joseph Zych	Crossed out p/n FBA512AC1 in Ref. 8 on p. 11
September 5, 2018	Joseph Zych	Updated description for Ref. 8 on p. 11
July 24, 2019	Joseph Zych	Added cables p/ns AAA21602Y1 and AAA21602Y4 to p. 11
October 28, 2020	Anh Pham	Added OAD+ Phone p/ns to Ref. 8 on p. 11
August 4, 2021	Brian Hoose	Updated pp. 21 and 22
September 28, 2022	Juan Murillo	Updated to include OBSOLESCENCE note on cover
March 8, 2023	Vadzim Fedarenka	Updated OBSOLESCENCE notice, leaflet description, and related drawings; Added FLOOD Operations COP Kit A17.1-2022 on p. 10; Updated Table on p. 4

**Related Drawings**

<b>Drawing No.</b>	<b>Title</b>	<b>Drawing No.</b>	<b>Title</b>
AAA25300T	Communication Device COP Telephone Assembly Kit	6599F	Assembly Phone Jack
AAA23500T	Phone Jack Assembly	A7145AM	Telephone Handset Kit
AAA7145CP	Telephone Test Equipment	AAA27076EW	Communication Device COP Telephone Assembly Kit
7145AL	Arrangement Telephone Autodialer System	AAA250S	Graphic Insert (resin)
AAA25000EK	Terminal Panel, COP	AAA250P	Graphic Insert (Zamak 3)
CAA7145E	Assembly Telephone-Hands Free		

**Related Documents**

<b>Document ID</b>	<b>Title</b>
SPL 31-AAA7155BX	Car Operating Panel, Series 1, 2-Column
SPL 31-AAA7155BY	Car Operating Panel, Series 1, 3-Column

*Continued on next page*

# History

**31-AAA25300T**

## Related Documents

Document ID	Title
SPL 31-AAA25000BM	Series 4—Luxury Fixture: Swing Return Car Operating Panel
SPL 31-6599F	Phone Jack Assembly
TIP 4.6-6	Replacing EMS Phone Button with Flush-Mounted Buttons

## Subject Matter Expert

Name	Department
Anh Pham	OSC Service Engineering

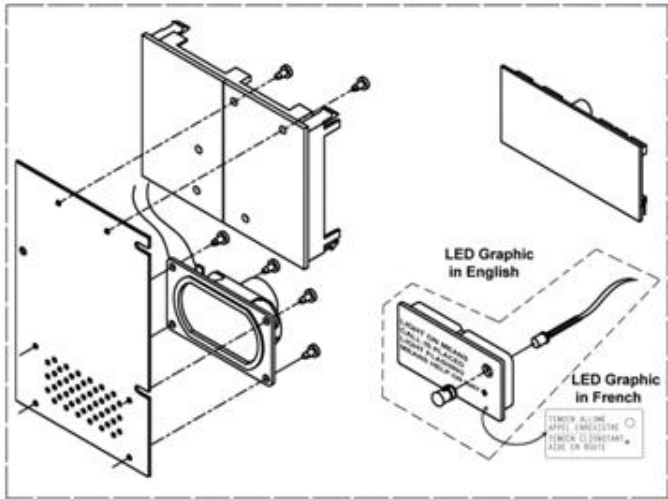
## About Spare Parts Leaflets...

This document lists the lowest replaceable units (LRUs) for the standard version of the product. The LRUs are chosen by a team of Otis associates representing engineering and manufacturing.

While goal of this document is to make parts identification as easy as possible, the document cannot be all-inclusive. Elevator and escalator contracts classified as “special” or “custom” are not addressed here. For such contracts, please refer to specified information, the contract folder, TIPs, Field Education Articles, Construction Letters, etc. for further information. If you have any suggestions about this document, please contact the subject matter expert listed on this page.

# Table of Contents

**31-AAA25300T**



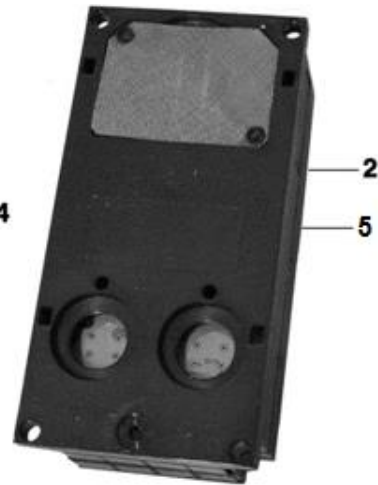
**Otis ADA Phones**



**EMS Phones**



**ADA Phone Accessories**

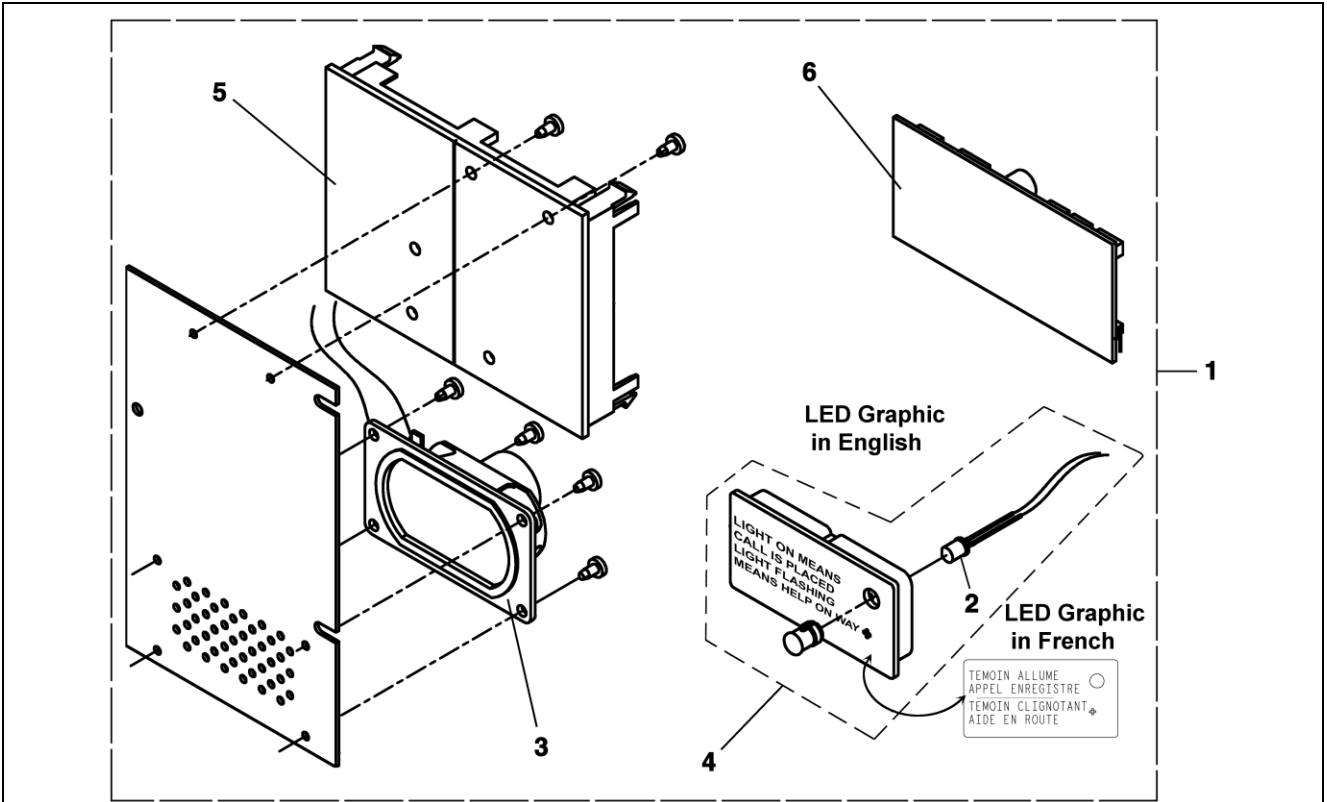


**Auto-Dialer or Intercom**

REF. No.	PAGE	DESCRIPTION
1	11	Otis ADA Phones
2	12	Otis Auto-Dialer (OAD) Phone
3	13–21	EMS Phones
*	22	Service Phone, Test Set
4	23–29	Accessories
5	30	Intercom
*	31	Flood Operations COP Kit A17.1-2022

\* not shown

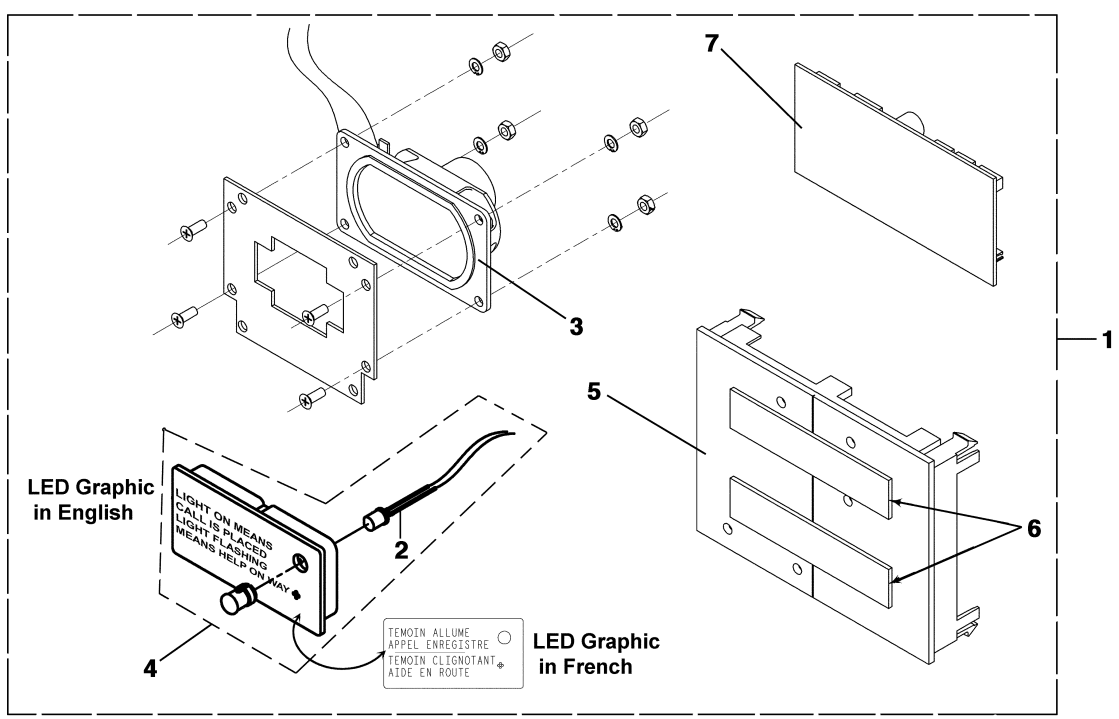
**ADA Phone for Series 1 Fixture,  
2-Column COP (AAA7155BX)**



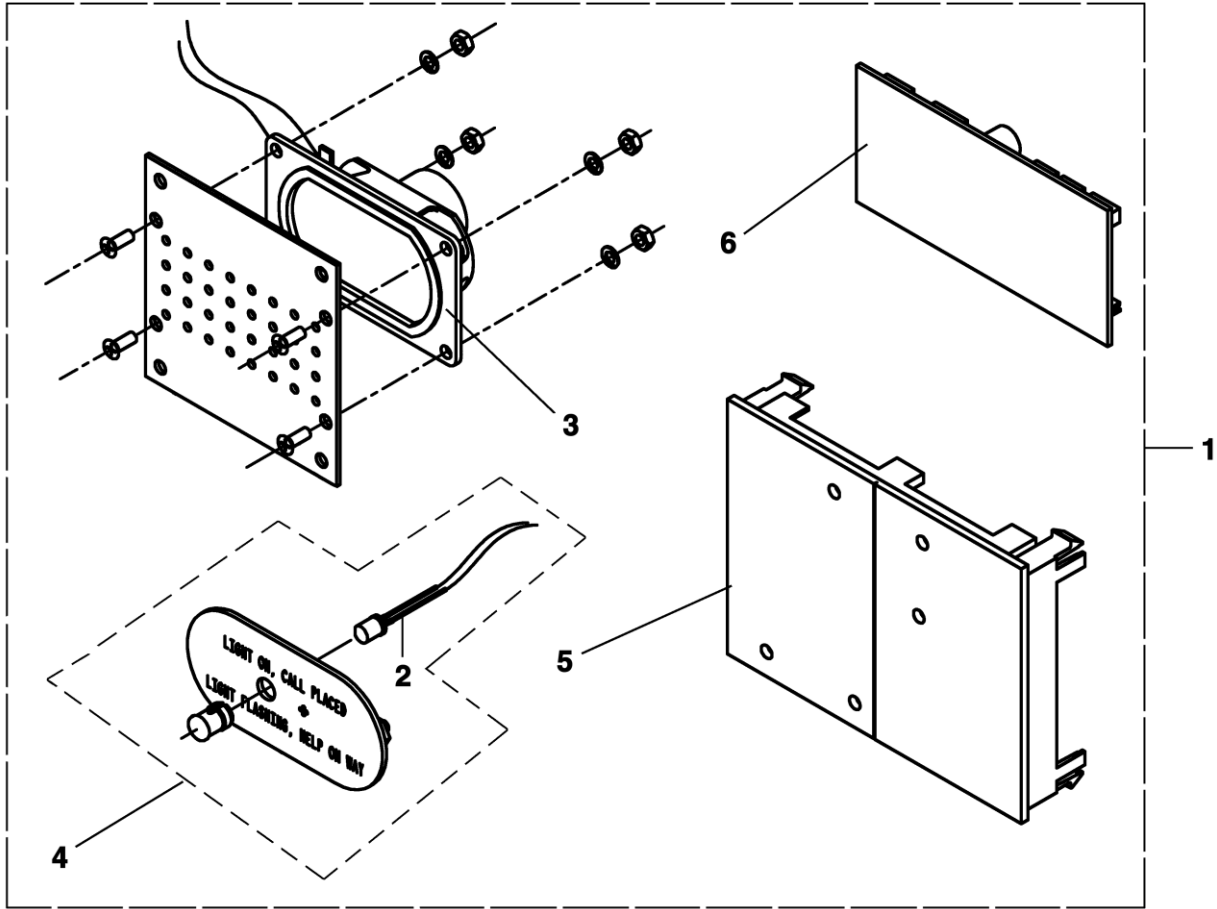
W/O VINTAGE		
REF. No.	PART No.	DESCRIPTION
1	AAA25300T2 AAA27076EW3	Assembly, ADA Phone, Series 1, 2-Column, English Graphics
	AAA25300T3 AAA27076EW4	Assembly, ADA Phone, Series 1, 2-Column, French Graphics
2	AAA25400BC4	Assembly, Cable, LED and Call Button, 800 mm
3	AAA25400BA4	Assembly, Speaker Mounting, Used w/ Series 1, 2-Column COP
*	AAA25400BD3	Cable (for connecting ADA phone to phone line)
*	26800ALD_QUICK _START	Guide, Telephone Setup
4	AAA25300T400	Kit, ADA Phone Sundries for p/n AAA25300T2, <b>Includes:</b> LED Housing (AAA629AD101), LED and Call Button Cable Assembly (AAA25400BC4), and Microphone & LED Mounting Graphic (AAA396PC2)
	AAA25300T402	Kit, ADA Phone Sundries for p/n AAA25300T3, <b>Includes:</b> LED Housing (AAA629AD101), LED and Call Button Cable Assembly (AAA25400BC4), and Microphone & LED Mounting Graphic (AAA396PC3)
5	AAA251EH1	Tablet (for mounting the AAA25300W1 telephone board)
6	AAA25300W1 AAA27076EW1	Telephone, Pre-Assembled w/ Microphone

# ADA Phone for Series 1 Fixture, 3-Column COP (AAA7155BY)

**31-AAA25300T**



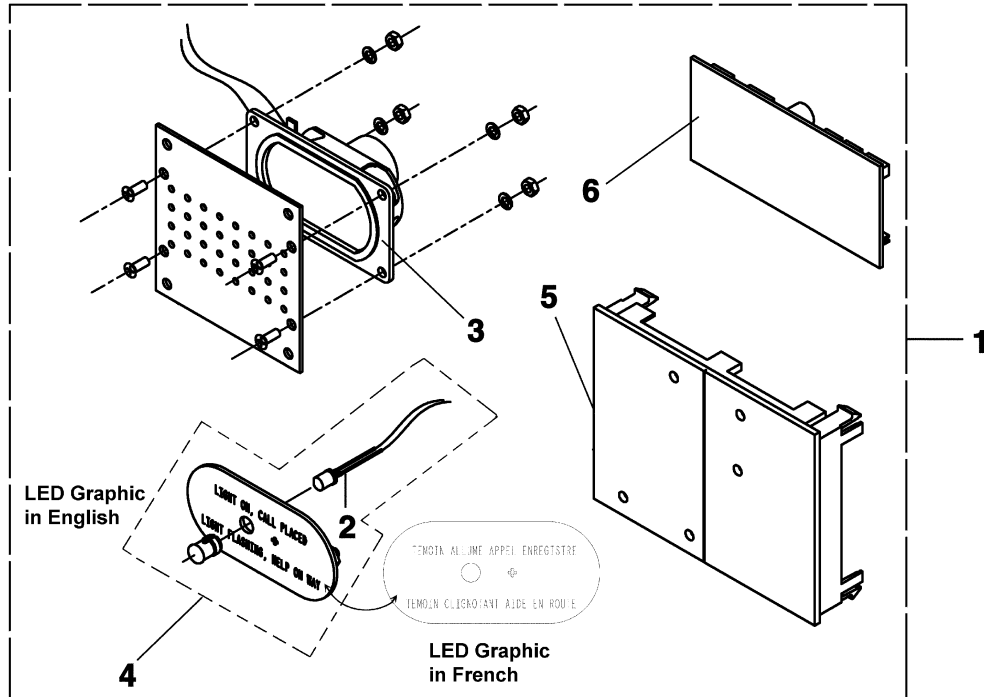
W/O VINTAGE		
REF. No.	PART No.	DESCRIPTION
1	AAA25300T4 AAA27076EW5	Assembly, ADA Phone Kit, Series 1, 3-Column, English Graphics
	AAA25300T5 AAA27076EW6	Assembly, ADA Phone Kit, Series 1, 3-Column, French Graphics
2	AAA25400BC3	Assembly, Cable, LED and Call Button, 1300 mm
3	AAA25400BA3	Assembly, Speaker Mounting, Used w/ Series 1, 3-Column COP
*	AAA25400BD3	Cable (for connecting ADA phone to phone line)
*	26800ALD_QUICK_START	Guide, Telephone Setup
4	AAA25300T401	Kit, ADA Phone Sundries for p/n AAA25300T4, <b>Includes:</b> LED Housing (AAA629AD101), LED and Call Button Cable Assembly (AAA25400BC3), and Microphone & LED Mounting Graphic (AAA396PC2)
	AAA25300T403	Kit, ADA Phone Sundries for p/n AAA25300T5, <b>Includes:</b> LED Housing (AAA629AD101), LED and Call Button Cable Assembly (AAA25400BC3), and Microphone & LED Mounting Graphic (AAA396PC3)
5	AAA251EH1	Tablet (for mounting the AAA25300W1 telephone board) <b>NOTE:</b> Require two of AAA297AS5 tape.
6	AAA297AS5	Tape, Double-Sided Foam, 16 x 75 mm
7	AAA25300W4 AAA27076EW1	Telephone, Pre-Assembled w/ Microphone



REF. No.	W/O VINTAGE PART No.	DESCRIPTION
1	AAA25300T1 AAA27076EW2	Assembly, ADA Phone, Series 4, English, Metallic Mounting Graphic
2	AAA25400BC1	Assembly, Cable, LED and Call Button, 1400 mm
3	AAA25400BA1	Assembly, Speaker Mounting, Used w/ Series 2 & 4
*	AAA25400BD1	Cable (for connecting ADA phone to phone line)
*	26800ALD_QUICK_START	Guide, Telephone Setup
4	AAA25300T404	Kit, ADA Phone Sundries for p/n AAA25300T1, <b>Includes:</b> LED Housing (AAA629AD101), LED and Call Button Cable Assembly (AAA25400BC1), and Microphone & LED Mounting Graphic (AAA250P2)
5	AAA251EH1	Tablet (for mounting the AAA25300W1 telephone board)
6	AAA25300W4 AAA27076EW1	Telephone, Pre-Assembled w/ Microphone

# ADA Phone (Non-Metallic Graphic) for Series 2 Fixture COP

**31-AAA25300T**

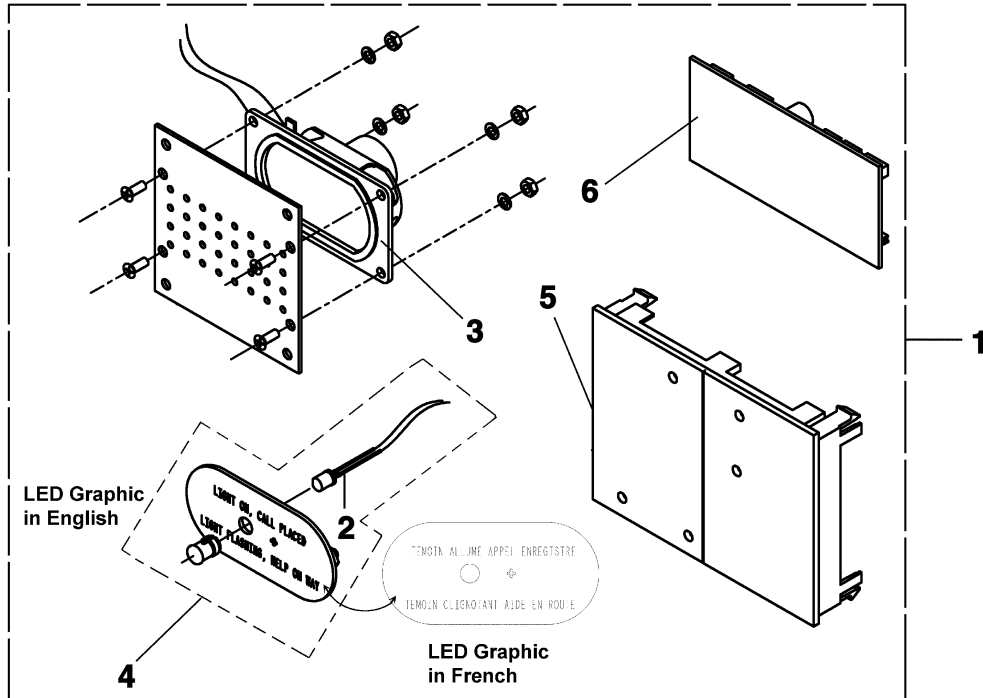


W/O VINTAGE		
REF. No.	PART No.	DESCRIPTION
1	AAA25300T9 AAA27076EW10	Assembly, ADA Phone, Series 2, English, Non-Metallic Graphics w/Emergency Light
	AAA25300T10 AAA27076EW11	Assembly, ADA Phone, Series 2, French, Non-Metallic Graphics, w/Emergency Light
	AAA25300T11 AAA27076EW12	Assembly, ADA Phone, Series 2, French/English, Non-Metallic Graphics, w/Emergency Light
	AAA25300T12 AAA27076EW13	Assembly, ADA Phone, Series 2, English, Non-Metallic Graphics, Modernization Use
	AAA25300T13 AAA27076EW14	Assembly, ADA Phone, Series 2, English, Non-Metallic Graphics, w/o Emergency Light
	AAA25300T14 AAA27076EW15	Assembly, ADA Phone, Series 2, French, Non-Metallic Graphics, w/o Emergency Light
	AAA25300T15 AAA27076EW16	Assembly, ADA Phone, Series 2, French/English, Non-Metallic Graphics, w/o Emergency Light
2	AAA25400BC1	Assembly, Cable, LED and Call Button, 1400 mm
3	AAA25400BA1	Assembly, Speaker Mounting, Used w/ Series 2 & 4

Continued on next page



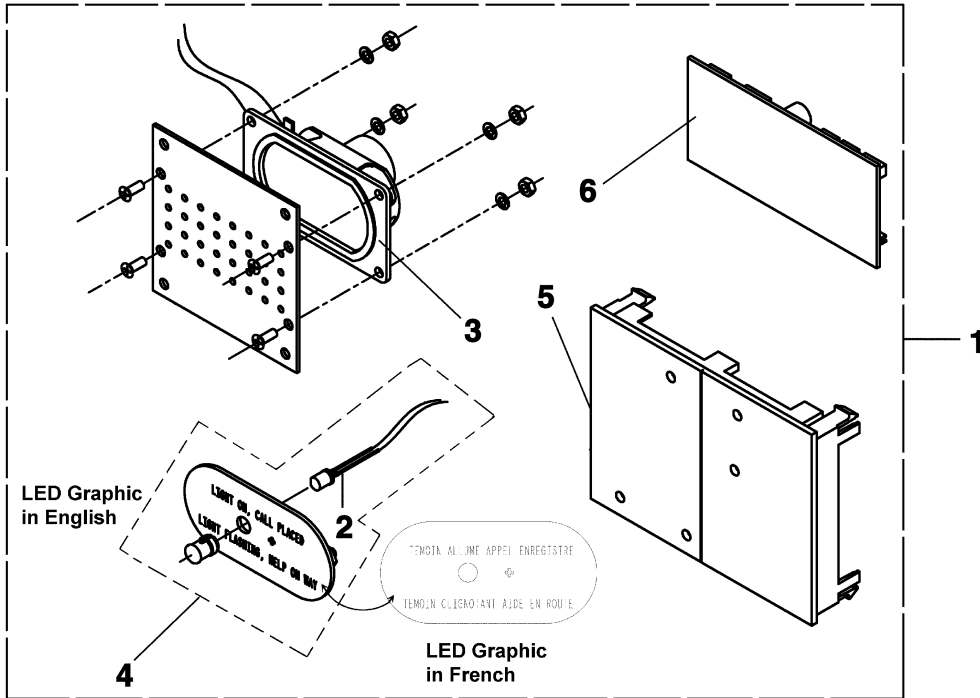
**ADA Phone (Non-Metallic Graphic)  
for Series 2 Fixture COP**



W/O VINTAGE		
REF. No.	PART No.	DESCRIPTION
*	AAA25400BD1	Cable (for connecting ADA phone to phone line)
*	26800ALD_QUICK_START	Guide, Telephone Setup
4	AAA25300T408	Kit, ADA Phone Sundries for p/n AAA25300T13 and AAA25300T9, <b>Includes:</b> LED Housing (AAA629AD101), LED and Call Button Cable Assembly (AAA25400BC2), and Microphone & LED Mounting Graphic (AAA250S2)
	AAA25300T409	Kit, ADA Phone Sundries for p/n AAA25300T14 and AAA25300T10, <b>Includes:</b> LED Housing (AAA629AD101), LED and Call Button Cable Assembly (AAA25400BC2), and Microphone & LED Mounting Graphic (AAA250S3)
	AAA25300T410	Kit, ADA Phone Sundries for p/n AAA25300T15 and AAA25300T11, <b>Includes:</b> LED Housing (AAA629AD101), LED and Call Button Cable Assembly (AAA25400BC2), and Microphone & LED Mounting Graphic (AAA250S4)
5	AAA251EH1	Tablet (for mounting the AAA25300W1 telephone board)
6	AAA25300W4 AAA27076EW1	Telephone, Pre-assembled w/ Microphone

# ADA Phone (Non-Metallic Graphic) for Series 4 Fixture COP

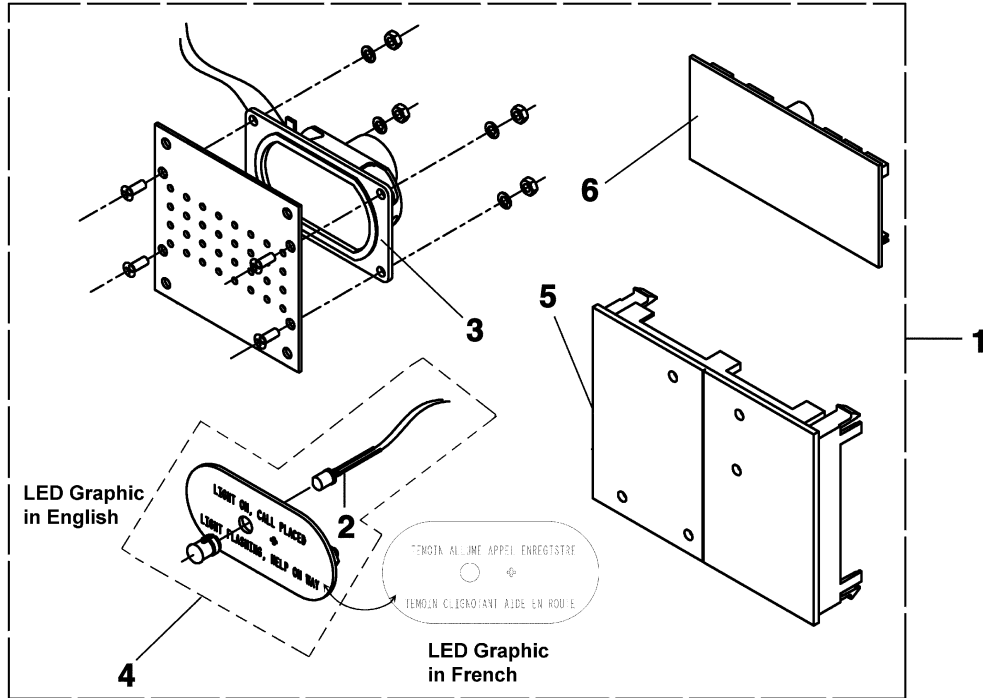
**31-AAA25300T**



W/O VINTAGE		
REF. No.	PART No.	DESCRIPTION
1	AAA25300T6 AAA27076EW7	Assembly, ADA Phone, Series 4, English, Non-Metallic Graphics
	AAA25300T7 AAA27076EW8	Assembly, ADA Phone, Series 4, French, Non-Metallic Graphics
	AAA25300T8 AAA27076EW9	Assembly, ADA Phone, Series 4, French/English, Non-Metallic Graphics
2	AAA25400BC1	Assembly, Cable, LED and Call Button, 1400 mm
3	AAA25400BA1	Assembly, Speaker Mounting, Used w/ Series 2 & 4
*	AAA25400BD1	Cable (for connecting ADA phone to phone line)
*	26800ALD_QUICK_START	Guide, Telephone Setup

*Continued on next page*

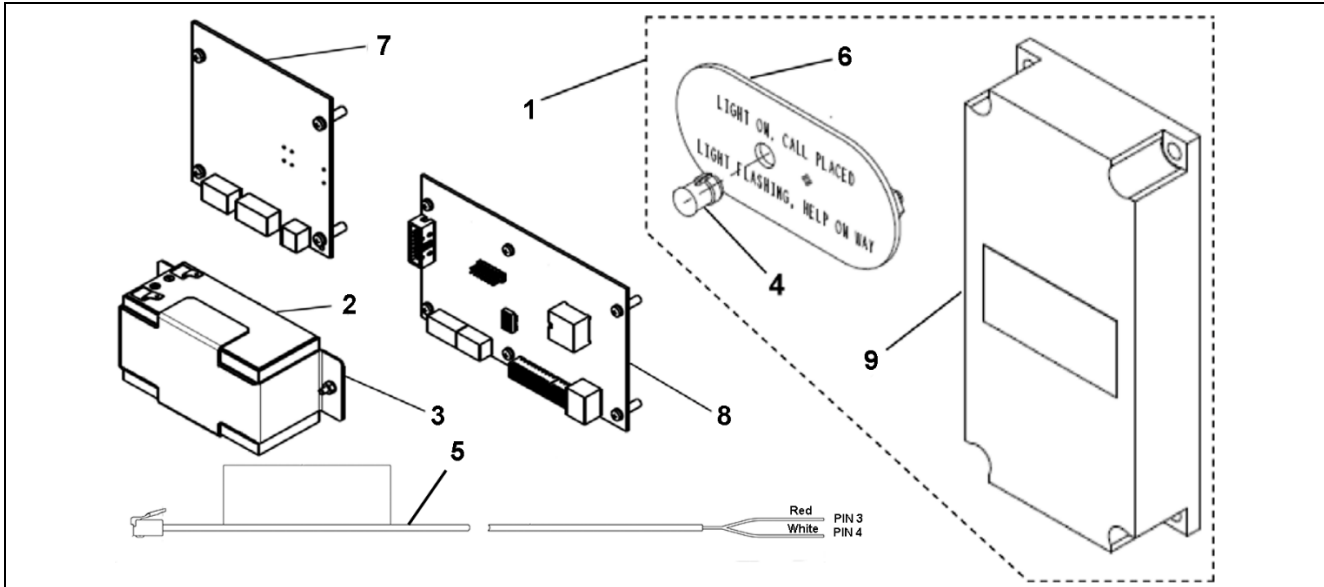
**ADA Phone (Non-Metallic Graphic)  
for Series 4 Fixture COP**



W/O VINTAGE		
REF. No.	PART No.	DESCRIPTION
4	AAA25300T405	Kit, ADA Phone Sundries for p/n AAA25300T6, <b>Includes:</b> LED Housing (AAA629AD101), LED and Call Button Cable Assembly (AAA25400BC1), and Microphone & LED Mounting Graphic (AAA250S2)
	AAA25300T406	Kit, ADA Phone Sundries for p/n AAA25300T7, <b>Includes:</b> LED Housing (AAA629AD101), LED and Call Button Cable Assembly (AAA25400BC1), and Microphone & LED Mounting Graphic (AAA250S3)
	AAA25300T407	Kit, ADA Phone Sundries for p/n AAA25300T8, <b>Includes:</b> LED Housing (AAA629AD101), LED and Call Button Cable Assembly (AAA25400BC1), and Microphone & LED Mounting Graphic (AAA250S4)
5	AAA251EH1	Tablet (for mounting the AAA25300W1 telephone board)
6	AAA25300W1 AAA27076EW1	Telephone, Pre-assembled w/Microphone

# OAD Phone (Non-Metallic Graphic) for Series 2 & 4 Fixture COP

**31-AAA25300T**



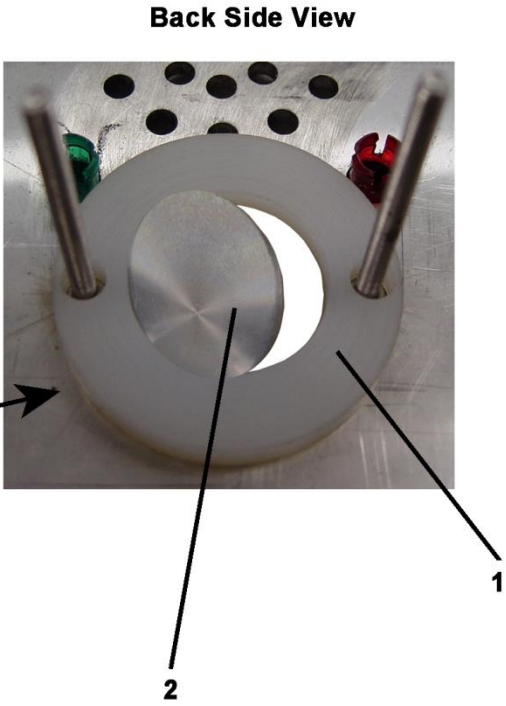
REF. No.	W/O VINTAGE PART No.	DESCRIPTION
*	AAA25400BC6	Assembly, Call Button Cable, Series 2
	AAA25400BC10	Assembly, Call Button Cable, Series 4
*	AAA25400BC5	Assembly, LED Cable, Series 2
	AAA25400BC9	Assembly, LED Cable, Series 4
*	AAA25400BC7	Assembly, Microphone Cable, Series 2
	AAA25400BC11	Assembly, Microphone Cable, Series 4
1	AAA25300T19	Assembly, OAD + Phone Kit, Series 2 English
	AAA25300T20	Assembly, OAD + Phone Kit, Series 2 French
	AAA25300T21	Assembly, OAD + Phone Kit, Series 2 French/English
	AAA25300T16	Assembly, OAD + Phone Kit, Series 4 English
	AAA25300T17	Assembly, OAD + Phone Kit, Series 4 French
	AAA25300T18	Assembly, OAD + Phone Kit, Series 4 French/English
*	AAA25400BC8	Assembly, Speaker Cable, Series 2
	AAA25400BC12	Assembly, Speaker Cable, Series 4
2	AAA718E18	Battery
3	AAA316HND2	Bracket, Battery
4	AAA629AD101	Housing, LED
5	AAA21602Y1	Cable, Electrical Extension Cord, Telephone, 1-Plug, Length 2050 mm
	AAA21602Y4	Cable, Electrical Extension Cord, Telephone, 1-Plug, Length 1025 mm
6	AAA250S2	Mounting, Microphone & LED Graphic, English
	AAA250S3	Mounting, Microphone & LED Graphic, French
	AAA250S4	Mounting, Microphone & LED Graphic, French/English
7	AAA26800ARK1	PC Board, Gateway 2 Battery Backup
8	ACA26800ARH4	PC Board, Gateway 2 Otis Auto-Dialer. It contains configuration data only.
	ACA26800ARH2	OAD+ Phone, NAA Voice Files with Speech; English
	ADA26800ARH3	
	ACA26800ARH3	OAD+ Phone, NAA Voice Files with Speech; English
	ADA26800ARH3	
	ADA26800ARH3 ENG/FRE	OAD+ Phone, NAA Voice Files with Speech: English/French
	ADA26800ARH3 SPANISH	OAD+ Phone, NAA Voice File with Speech: Spanish
9	FBA512AC1	Phone, OAD Speaker/Microphone
	AAA512H1	Phone, OAD with 8 Ohm Speaker/Microphone



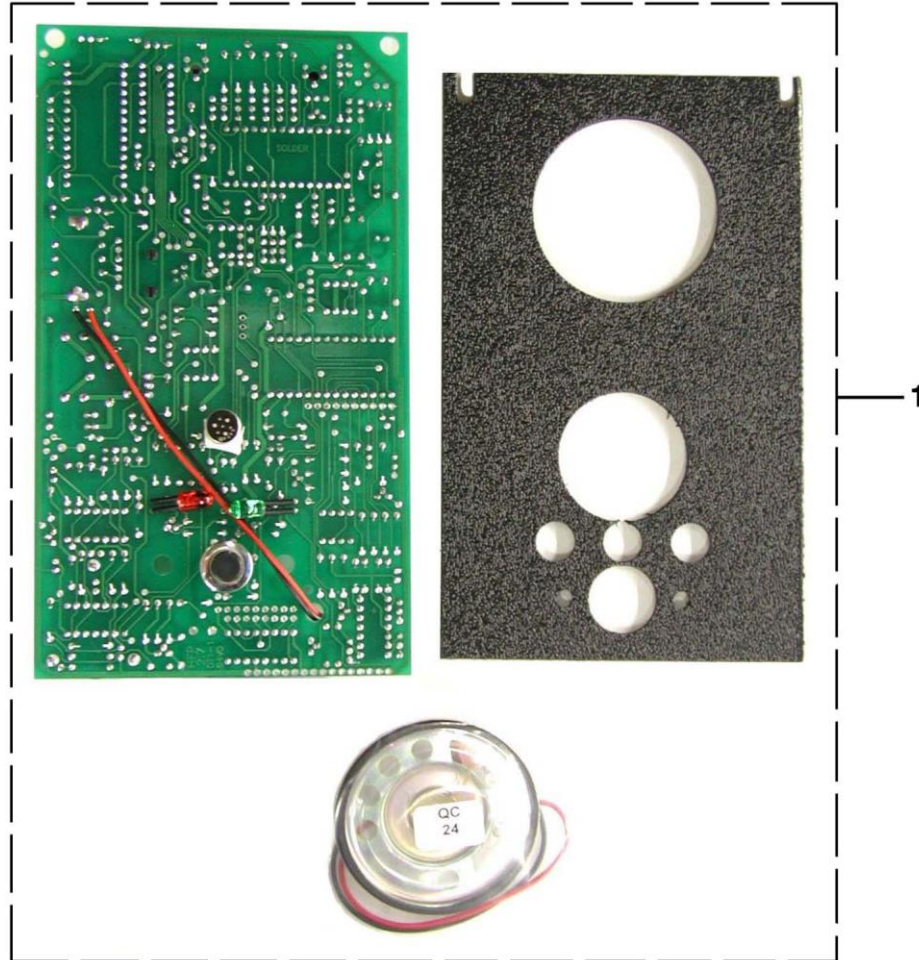
REF. No.	W/O VINTAGE PART No.	DESCRIPTION
1	CAA7145E1 CAA7145E11	Telephone, Hands-Free Autodial, w/Case

# EMS Hands-Free Telephones Flush-Mount Target

**31-AAA25300T**

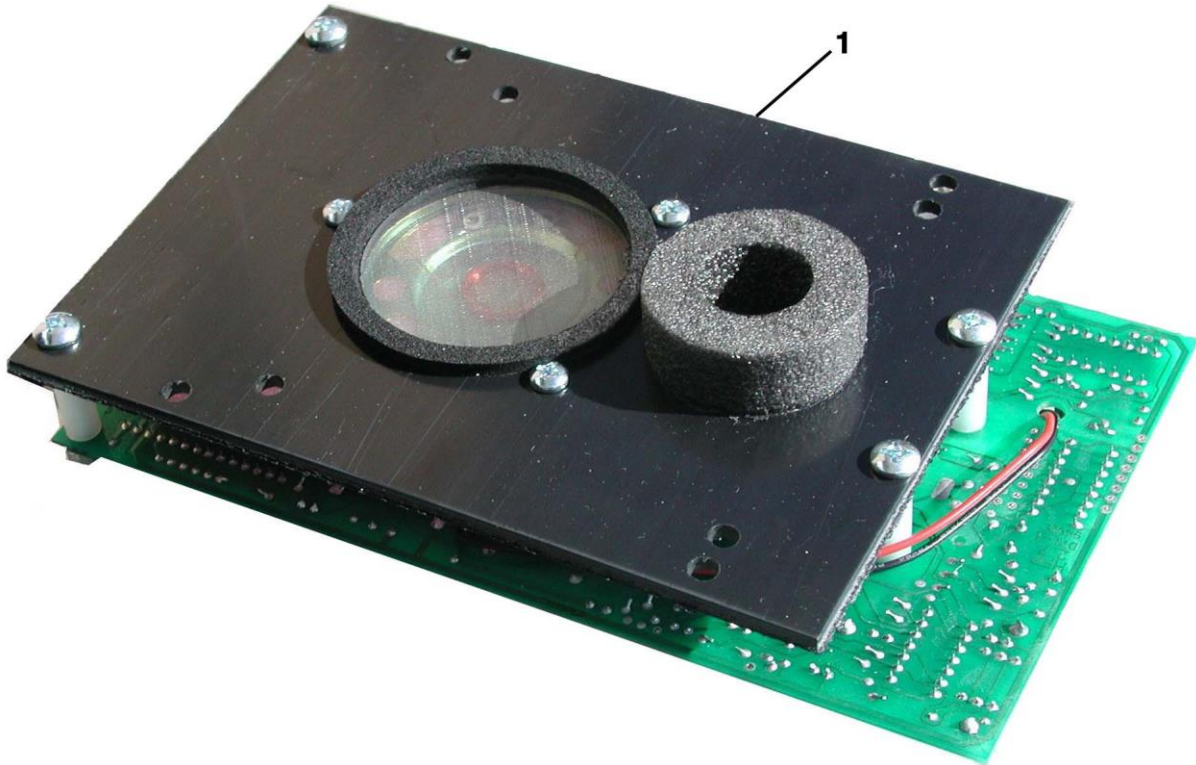


W/O VINTAGE		
REF. No.	PART No.	DESCRIPTION
1	AAA462CD1	Spacer, Phone Button
2	AAA323DR9	Target, Hands-Free Phone, BR7, Flush-Mount
	AAA323DR10	Target, Hands-Free Phone, BR8, Flush-Mount
	AAA323DR11	Target, Hands-Free Phone, Red, Flush-Mount
	AAA323DR7	Target, Hands-Free Phone, SS4, Flush-Mount
	AAA323DR8	Target, Hands-Free Phone, SS8, Flush-Mount



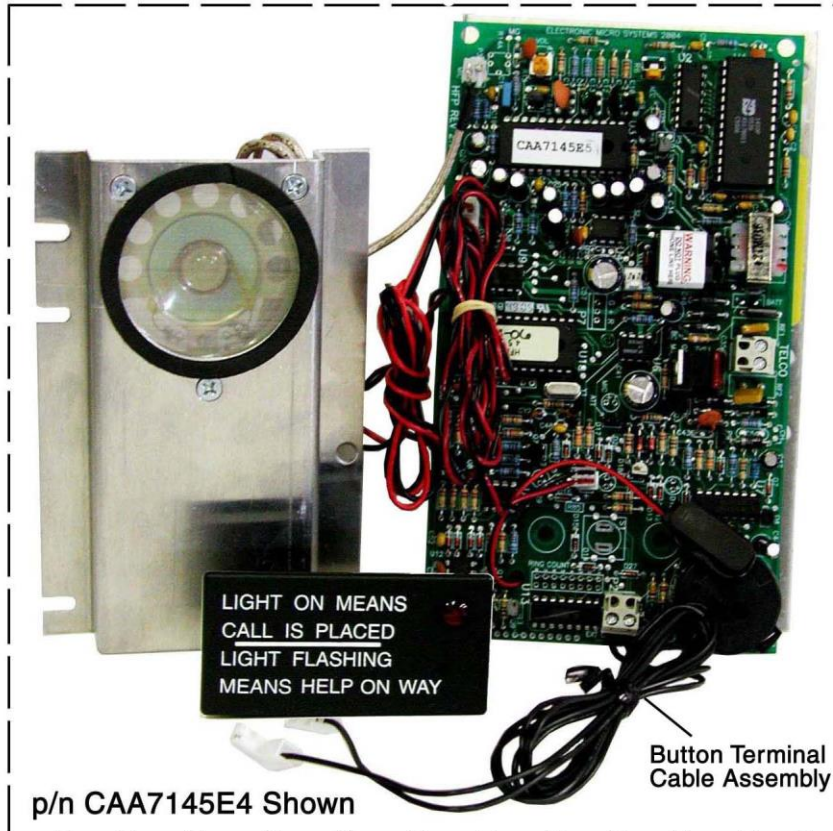
W/O VINTAGE		
REF. No.	PART No.	DESCRIPTION
1	CAA7145E2 CAA7145E12	Telephone, Hands-Free Autodial, w/o Case (pushbutton is mounted on PC board)



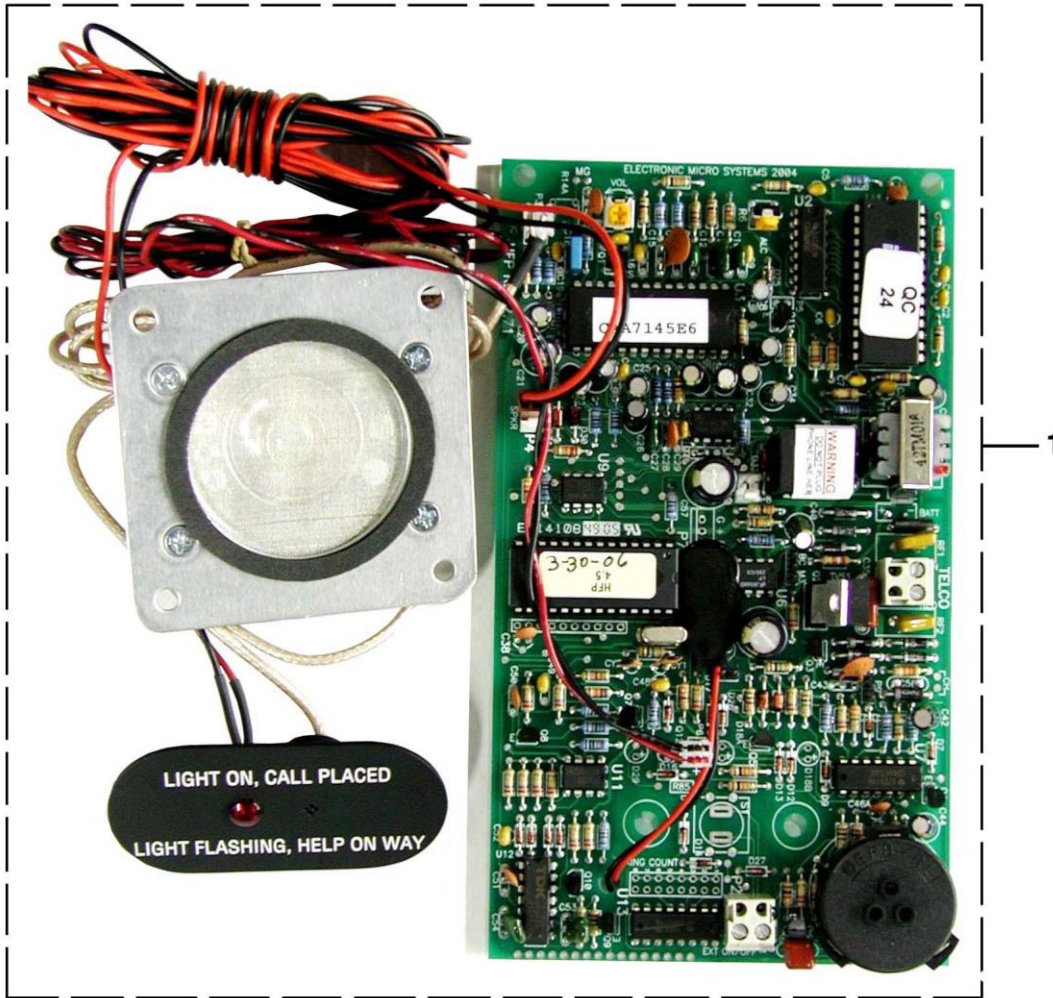


	W/O VINTAGE	
REF. No.	PART No.	DESCRIPTION
1	CAA7145E3 CAA7145E13	Assembly, Telephone, Hands-Free, Autodial w/o Case (no pushbutton, w/ two LEDs)

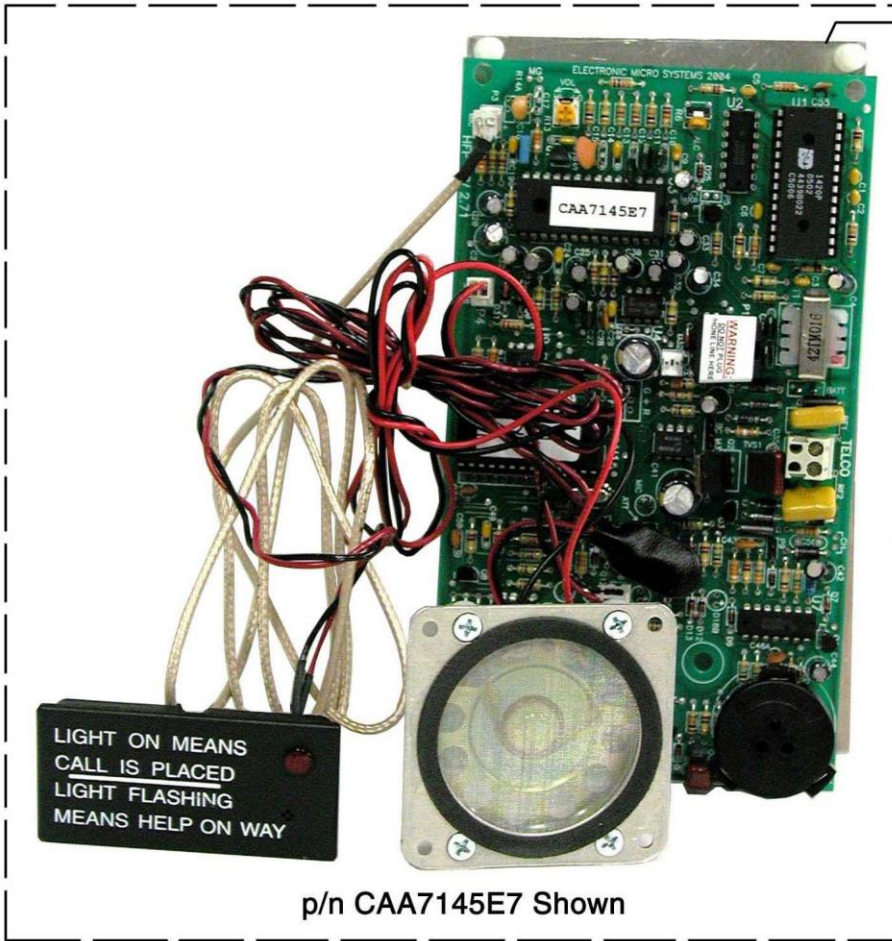




<b>W/O VINTAGE</b>		
<b>REF. No.</b>	<b>PART No.</b>	<b>DESCRIPTION</b>
1	CAA7145E4 CAA7145E14	Assembly, Telephone, Hands-Free, Autodial COP Phone w/o Case (English Graphics) (used in Series 1, 2-Column COP), w/ Button Terminal Cable Assembly
	CAA7145E5 CAA7145E15	Assembly, Telephone, Hands-Free, Autodial COP Phone w/o Case (French Graphics) (used in Series 1, 2-Column COP)



REF. No.	W/O VINTAGE PART No.	DESCRIPTION
1	CAA7145E6 CAA7145E16	Assembly, Telephone, Hands-Free, Autodial COP Phone w/o Case (English Graphics), (used in Series 4 COP), (oval shaped chicklet, large square bracket for speaker)



**NOTE:** Backing plate is same size as PC board.

1

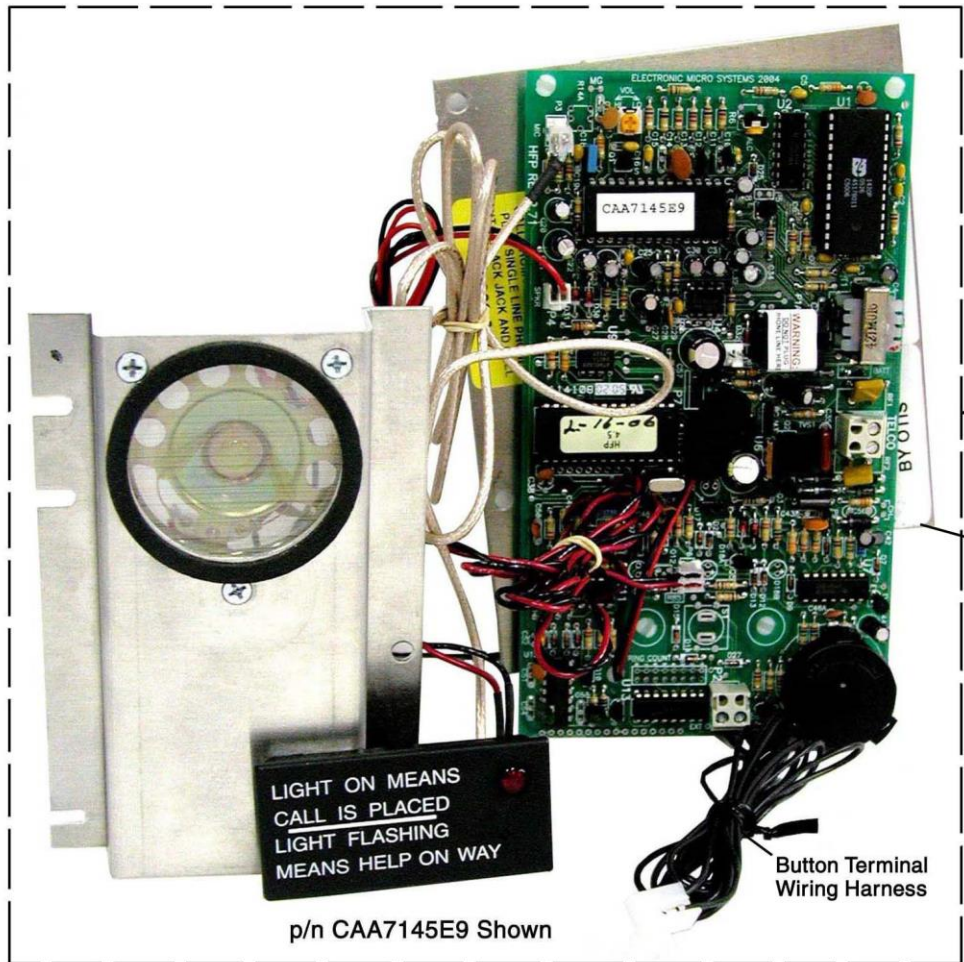
p/n CAA7145E7 Shown

**NOTE:** p/n CAA7145E8 is the same as E7, except it has French graphics.



REF. No.	W/O VINTAGE	DESCRIPTION
	PART No.	
1	CAA7145E7 CAA7145E17	Assembly, Telephone, Hands-Free, Autodial COP Phone w/o Case (English Graphics) (first used in Series 1, 3-Column COP)
	CAA7145E8 CAA7145E18	Assembly, Telephone, Hands-Free, Autodial COP Phone w/o Case (French Graphics) (first used in Series 1, 3-Column COP)





p/n CAA7145E9 Shown

**NOTE:** Backing plate has cutout in right hand corner.

**NOTE:** p/n CAA7145E10 is the same as E9, except it has French graphics.



W/O VINTAGE		
REF. No.	PART No.	DESCRIPTION
1	CAA7145E9 CAA7145E19	Assembly, Telephone, Hands-Free, Autodial COP Phone w/o Case (English Graphics) (used in Series 1, 2-Column COP)
	CAA7145E10 CAA7145E20	Assembly, Telephone, Hands-Free, Autodial COP Phone w/o Case (French Graphics) (used in Series 1, 2-Column COP)

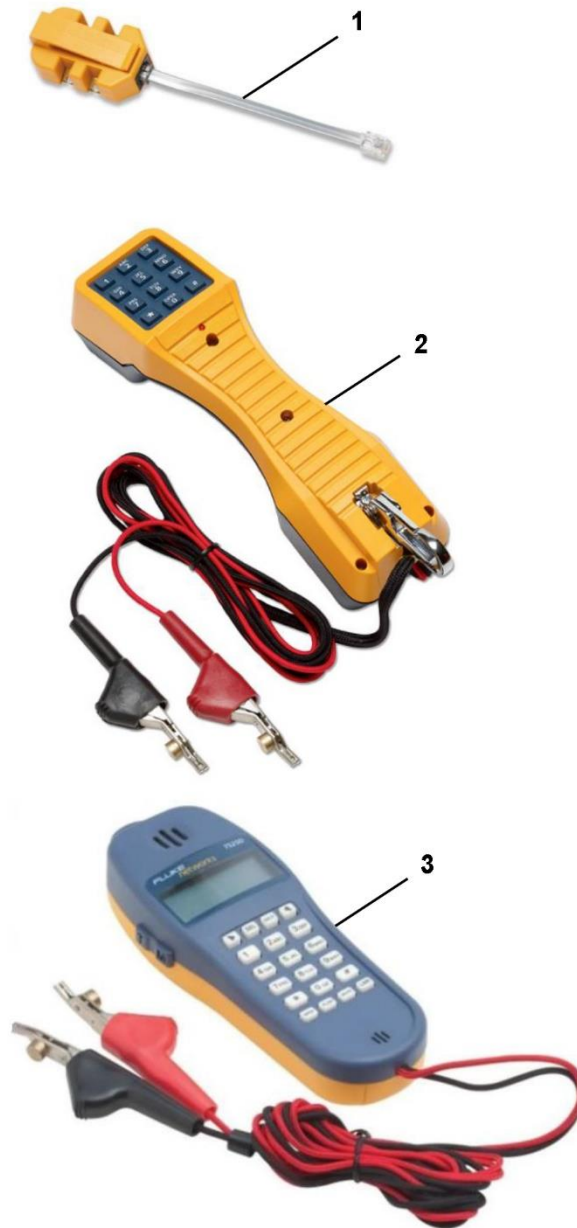
# EMS Hands-Free Telephones: Microphone and Speaker



<b>W/O VINTAGE</b>		
<b>REF. No.</b>	<b>PART No.</b>	<b>DESCRIPTION</b>
1	CAA7145E100	Microphone
2	CAA7145E102	Speaker

# Phone Test Tools

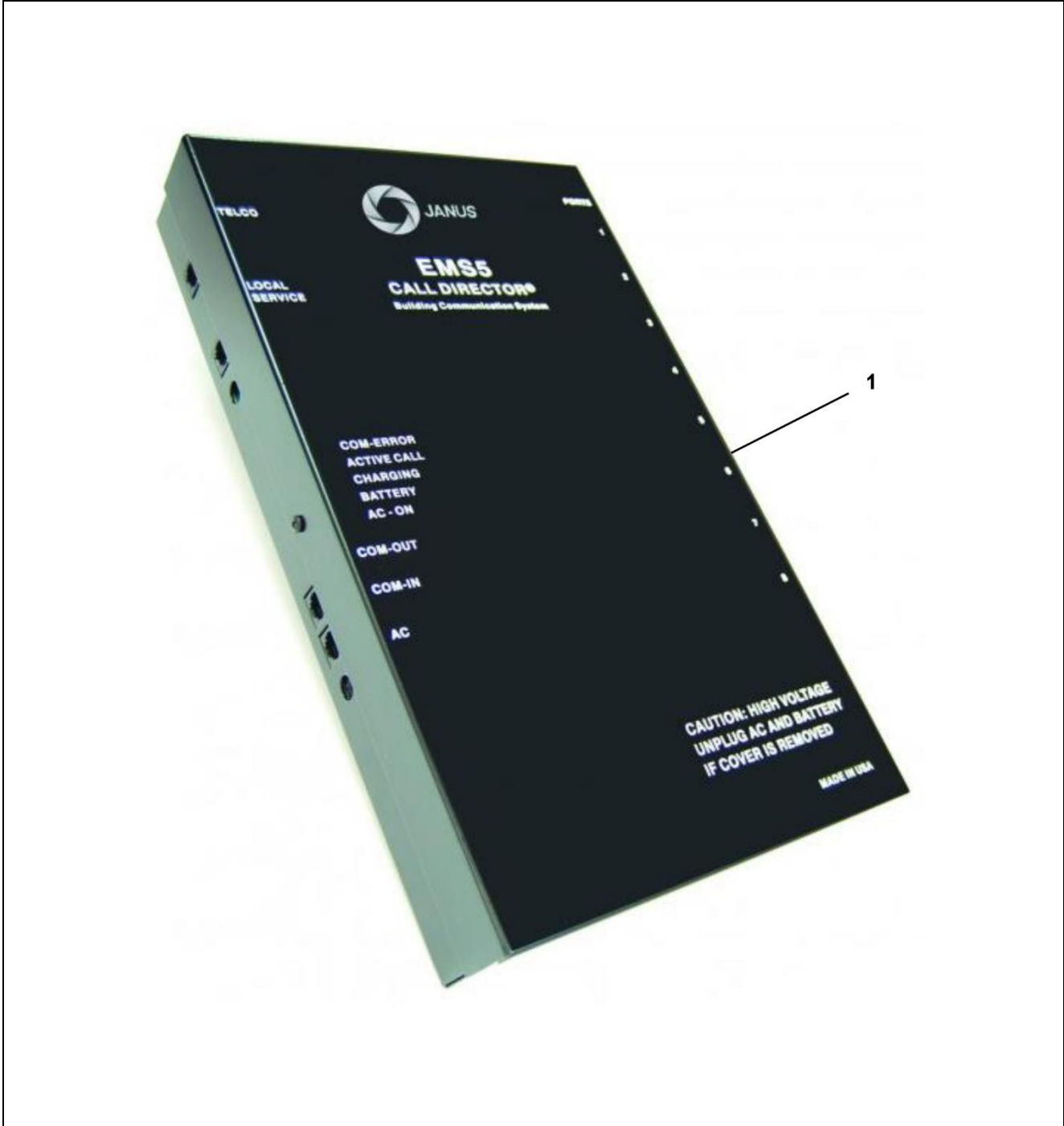
**31-AAA25300T**



	<b>W/O VINTAGE</b>	
<b>REF. No.</b>	<b>PART No.</b>	<b>DESCRIPTION</b>
1	MT-122111	Adapter – Modular In-Line
2	AAA7145CP2	Test Set, Telephone, Basic
3	MT-122112	Test Set, Telephone, Advanced

# Accessories: EMS5 Call Director

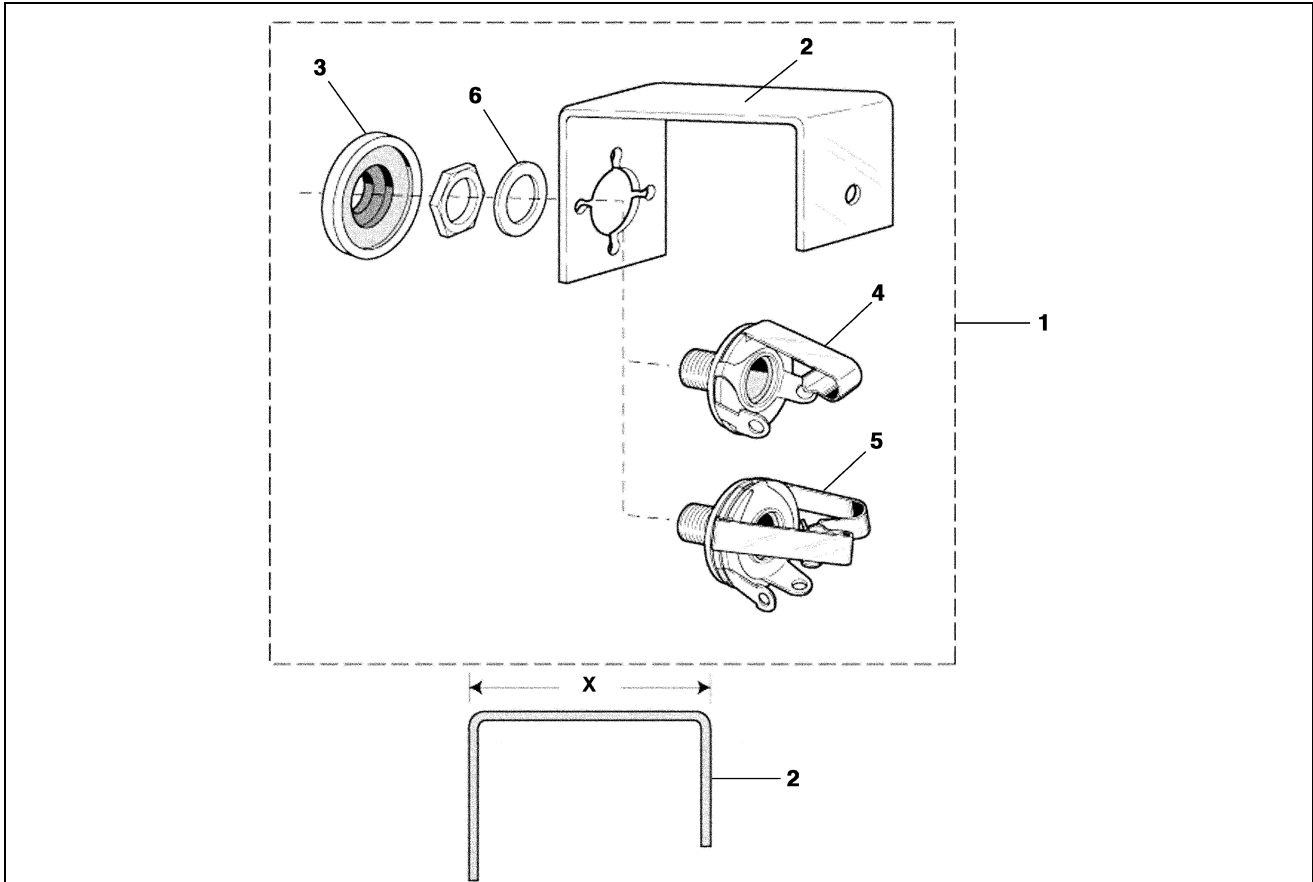
**31-AAA25300T**



		<b>W/O VINTAGE</b>
<b>REF. No.</b>	<b>PART No.</b>	<b>DESCRIPTION</b>
1	CBA346A1	Assembly, EMS5 Call Director

**31-AAA25300T**

# Accessories: Type 6599F Phone Jack Assembly



REF. No.	W/O VINTAGE			"X"
	PART No.	DESCRIPTION		
1	6599F2	Assembly, Phone Jack  Phone Jack 6599F1, Phone Collar 329AX1, Bracket 316ACT1 and Belleville Lock Washer 130R5		---
	6599F3	Assembly, Phone Jack  Phone Jack 6599F1, Phone Collar 329AX1, Bracket 316ACT2 and Belleville Lock Washer 130R5		---
	6599F4	Assembly, Phone Jack  Phone Jack 6599F1, and Belleville Lock Washer 130R5		---
2	316ACT1	Bracket	---	1.938 in.
	316ACT2	Bracket		1.563 in.
3	329AX1	Collar, Phone		---
4	6599F1	Jack, Phone (Two-Connector)		---
5	6599F5	Jack, Phone (Three-Connector)		---
6	130R5	Washer, Belleville Lock		---

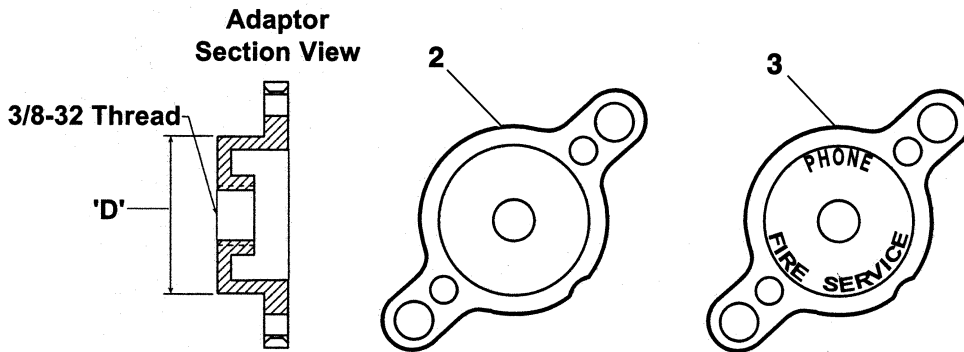
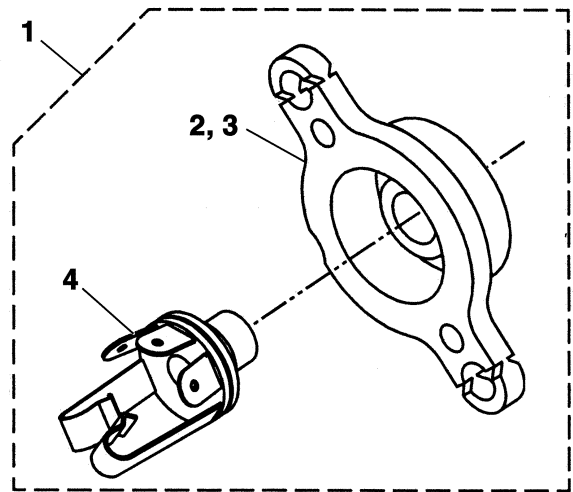
**NOTE:** For 6599F phone jack assembly parts, refer to SPL 31-6599F for cutout hole dimensions



# Accessories: Type AAA23500T Phone Jack Assembly

**31-AAA25300T**

APPLICATION TABLE		
Fixture Type	Vintage	Assembly P/N AAA23500T
Hall	A**23500AT	1, 3
Panel	A**23500AN	5, 7
Car Operating Panel	A**25000AAB	2, 4
	A**25000BM	6, 8



W/O VINTAGE				
REF. No.	PART No.	DESCRIPTION*	"D"	
1	AAA23500T1	Assembly, Phone Jack  Adaptor: AAA270CE1 (NSAA)	---	
	AAA23500T2	Assembly, Phone Jack  Adaptor: AAA270CE1 (NSAA)		
	AAA23500T3	Assembly, Phone Jack  Adaptor: AAA270CE2 (Canada)		
	AAA23500T4	Assembly, Phone Jack  Adaptor: AAA270CE2 (Canada)		
	AAA23500T5	Assembly, Phone Jack  Adaptor: AAA270CE3 (NSAA)		
	AAA23500T6	Assembly, Phone Jack  Adaptor: AAA270CE3 (NSAA)		
	AAA23500T7	Assembly, Phone Jack  Adaptor: AAA270CE4 (Canada)		
	AAA23500T8	Assembly, Phone Jack  Adaptor: AAA270CE4 (Canada)		
2	AAA270CE1	Adaptor, Black, No Marking (NSAA)	30 mm	
	AAA270CE2	Adaptor, Red, No Marking (Canada)		
3	AAA270CE3	Adaptor, Black, Marked: PHONE FIRE SERVICE (NSAA)		
	AAA270CE4	Adaptor, Red, Marked: PHONE FIRE SERVICE (Canada)		
4	6599F5	Jack, Phone.  SPL 31-6599F for cutout hole dimensions.		---

\* For assembly, see application table.



1

W/O VINTAGE		
REF. No.	PART No.	DESCRIPTION
1	AAA512B1	Autodialer. See NOTE.

**NOTE:** The p/n AAA512B1 autodialer is used in place of emergency telephone autodialer p/n A7145AJ1 and autodialer p/n 512D1.

# Accessories: Telephone Test Equipment

**31-AAA25300T**



<b>W/O VINTAGE</b>		
<b>REF. No.</b>	<b>PART No.</b>	<b>DESCRIPTION</b>
1	AAA7145CP3	Telephone, Line Share Switch

**31-AAA25300T**

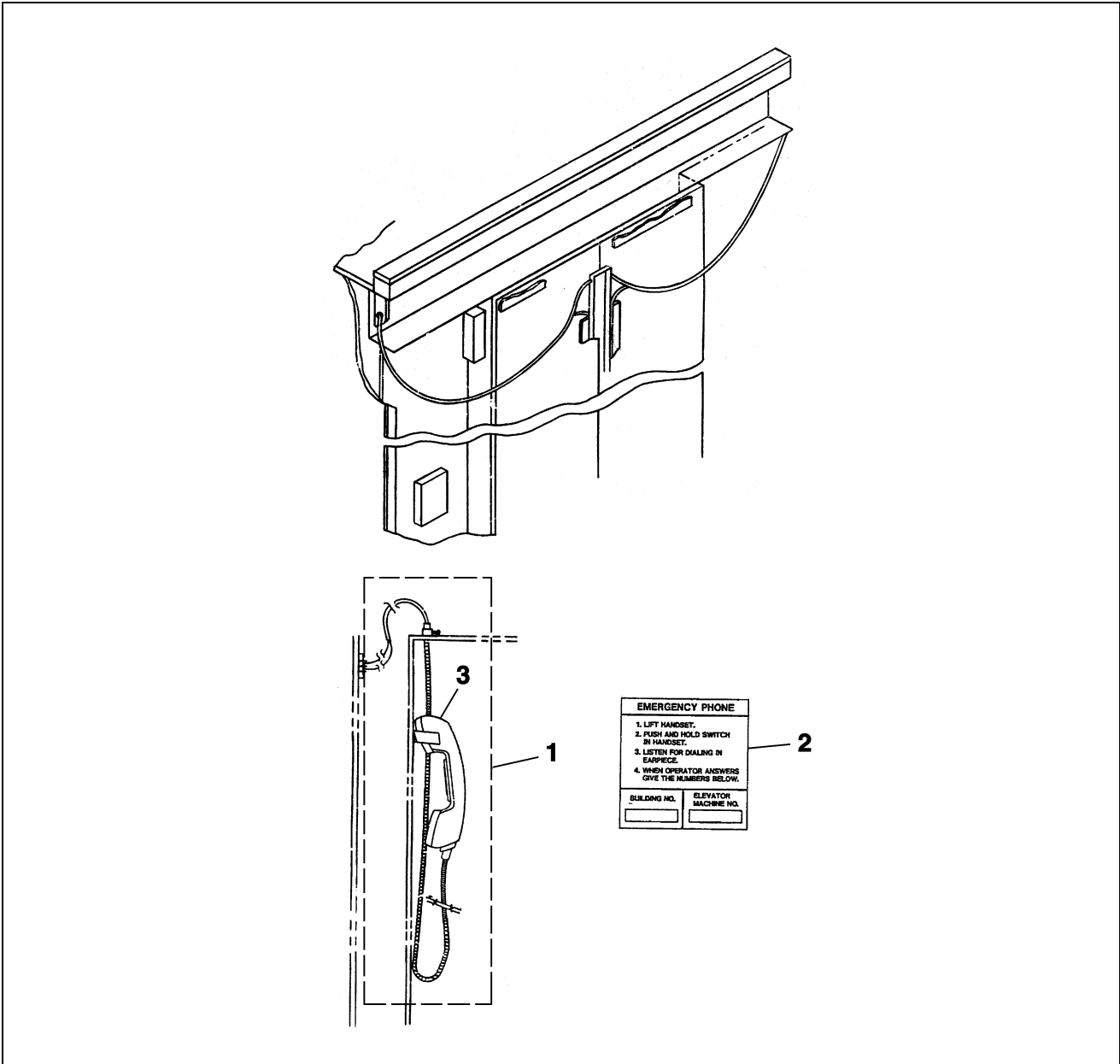
## **Accessories: Phone Line Simulator**



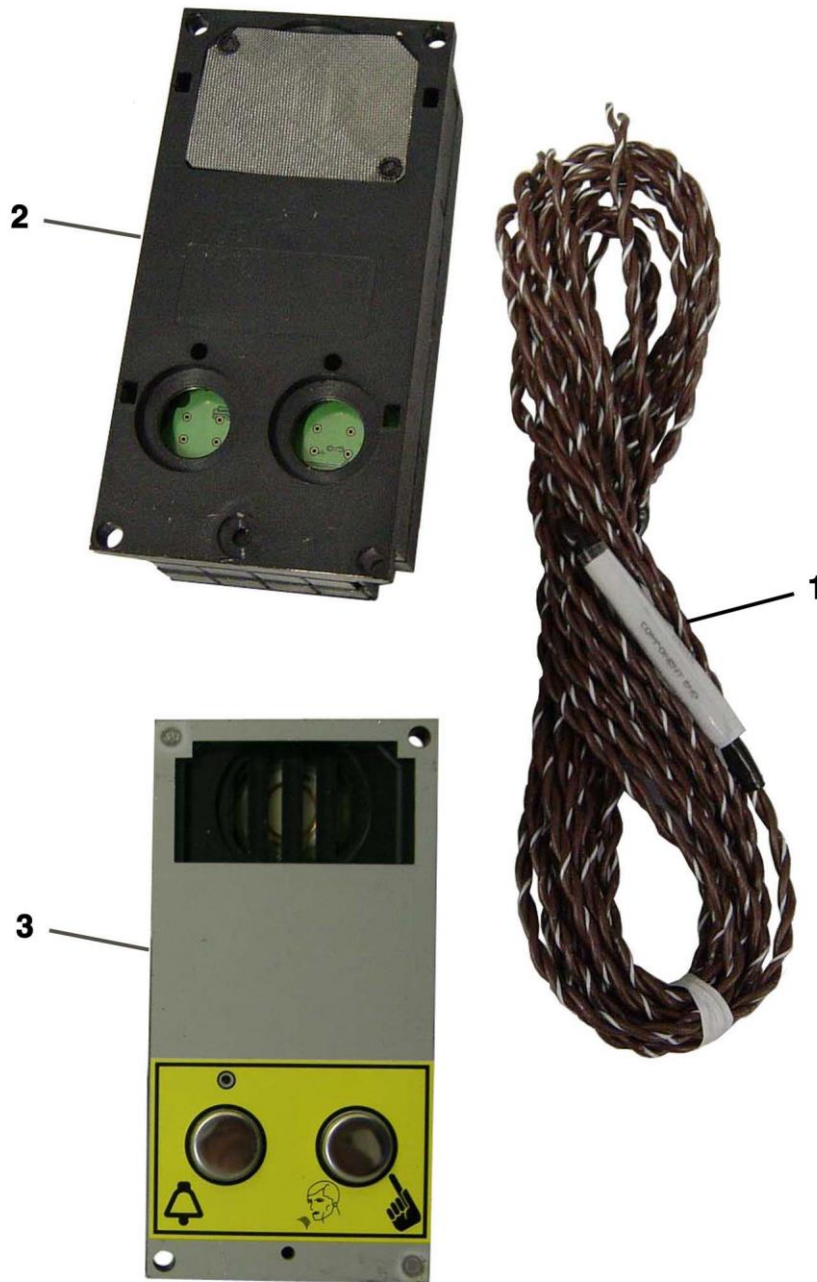
	<b>W/O VINTAGE</b>	
<b>REF. No.</b>	<b>PART No.</b>	<b>DESCRIPTION</b>
1	AAA25300AC1	Simulator, Phone Line (Viking Electronics Model DLE-200B)

# Accessories: Telephone Handset Kit

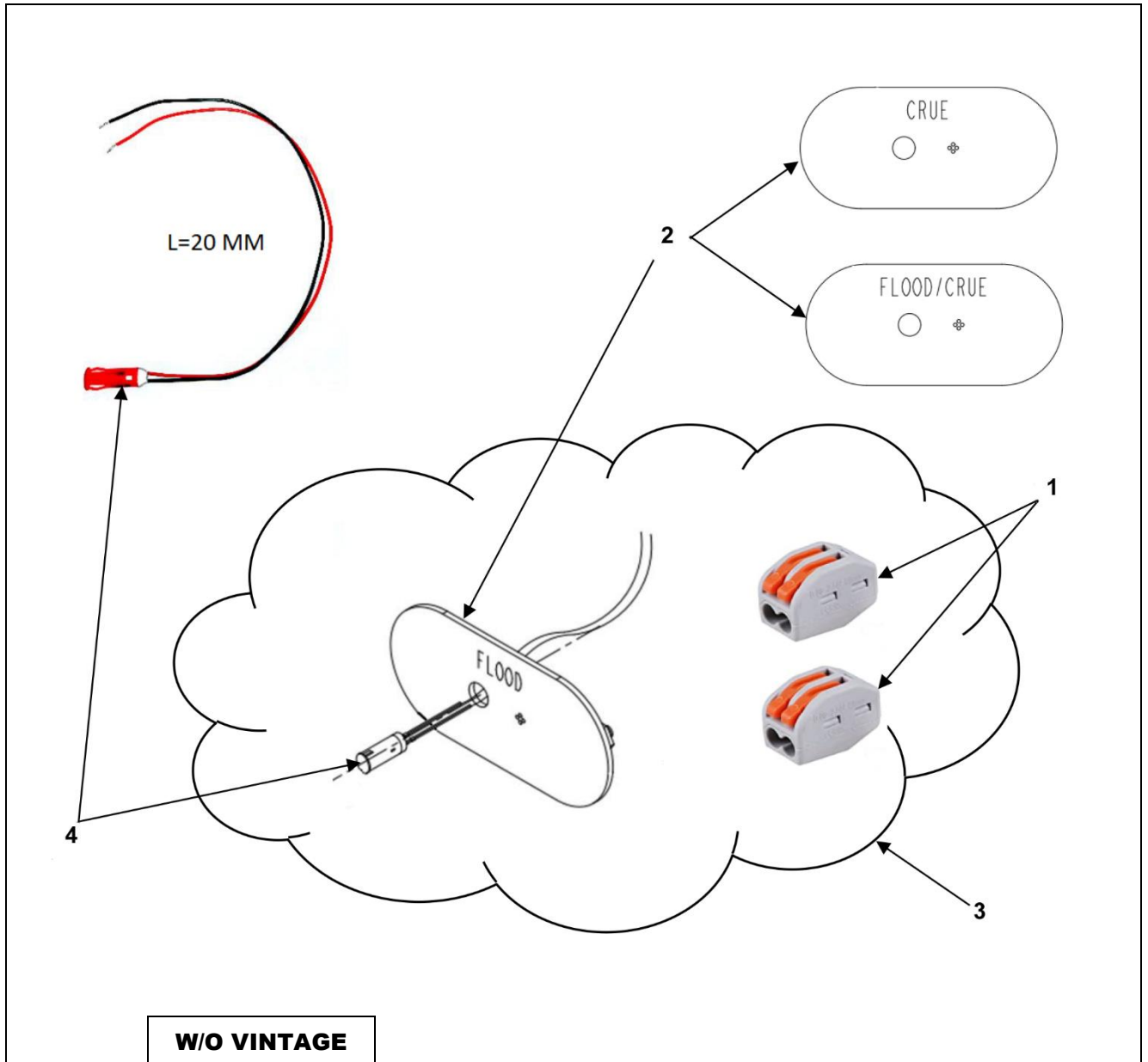
**31-AAA25300T**



W/O VINTAGE		
REF. No.	PART No.	DESCRIPTION
1	A7145AM1	Kit, Telephone Handset
2	102MP1	Label (English)
	102MP2	Label (French)
3	A512B1	Telephone, w/Ringer



	<b>W/O VINTAGE</b>	
<b>REF. No.</b>	<b>PART No.</b>	<b>DESCRIPTION</b>
1	AAA174AJC999	Cable, Electrical Intercom
2	AAA512A1	Intercom, Car Module
3	AAA512A2	Intercom, Controller Module



W/O VINTAGE		
REF. No.	PART No.	DESCRIPTION
1	AAA303EP227	Connector, Wire Splice, 2-points, WAGO, 28-12AWG
2	AAA250S6*	Insert, Graphic, Black Resin with Red Text "FLOOD"
	AAA250S7*	Insert, Graphic, Black Resin with Red Text "CRUE"
	AAA250S8*	Insert, Graphic, Black Resin with Red text "FLOOD/CRUE"
3	AAA25300T411	Kit, COP, Flood Operations, A17.1-2022 Code, English
	AAA25300T412	Kit, COP, Flood Operations, A17.1-2022 Code, French
	AAA25300T413	Kit, COP, Flood Operations, A17.1-2022 Code, English and French
4	AAA628AW21	LED, Wired, L = 20 mm

\* When required, customer can order metal version of graphic insert. Order AAA250P10 for English text, AAA250P11 for French, AAA250P12 for English and French.