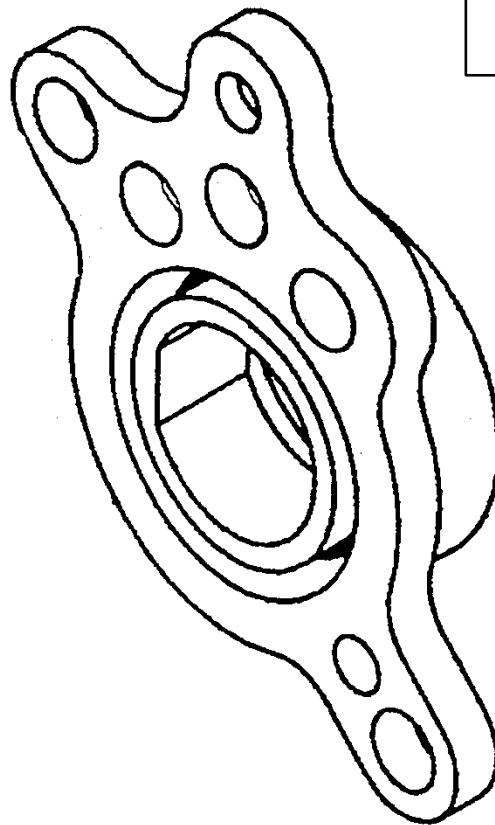


**Keyswitch Adaptors,  
Light Rings,  
and Engraved Collars**

**Spare Parts Leaflet**

**31-AAA270BM**

**July 31, 2024 / Page 1 of 20**



**W/O  
VINTAGE**

**OTIS**

This document does not contain any  
technical data subject to EAR or ITAR

**SERVICE ENGINEERING**

**Otis Elevator Company**

**Bloomfield, Connecticut USA**

Unpublished Work—© Otis Elevator Co.; 2024

# History

**31-AAA270BM**

## Leaflet Description

This leaflet lists types AAA270BM, AAA270BN, AAA270BP, and AAA270CN keyswitch adaptors.

## Leaflet Revisions

Date Revised	Subject Matter Expert	Reason for Revision
March 1995	John Kulikowski	New Leaflet
October 28, 2005	Joseph D. Zych	Added new parts
February 15, 2012	Joseph D. Zych	Corrected several keyswitch adaptor engraving descriptions on p. 6
February 19, 2020	Ramone Reynolds	Corrected description for p/n AAA270CN16
July 31, 2024	Vadzim Fedarenka	Added AAA270BN types VI-X images on p. 9; added AAA270BN201-346 collars on p. 9–15; added Note 2 on p. 4–8.

## Related Drawings

Drawing No.	Title	Drawing No.	Title
AAA270BM	Keyswitch Adapter	AAA270BP	Keyswitch Adapter
AAA270BN	Keyswitch Adapter	AAA270CN	Keyswitch Adapter
ABA23500W	Keyswitch Assembly Northeast Lock Engraved Collar Version	AAB23500W	Keyswitch Assembly Northeast Lock Engraved Collar Version
AAB23500G	Keyswitch Assembly Illinois Lock Engraved Collar Version	ABA23500G	Keyswitch Assembly Illinois Lock Engraved Collar Version
AAB23500F	Keyswitch Assembly Illinois Lock Light Ring Version	ABA23500F	Keyswitch Assembly Illinois Lock Light Ring Version

## Related Documents

Document ID	Title
31-AAA23500F	Keyswitch Assemblies Light Rings & Engraved Collar Version

## Subject Matter Expert

Name	Department
Vadzim Fedarenka	OSC Service Engineering

## About Spare Parts Leaflets...

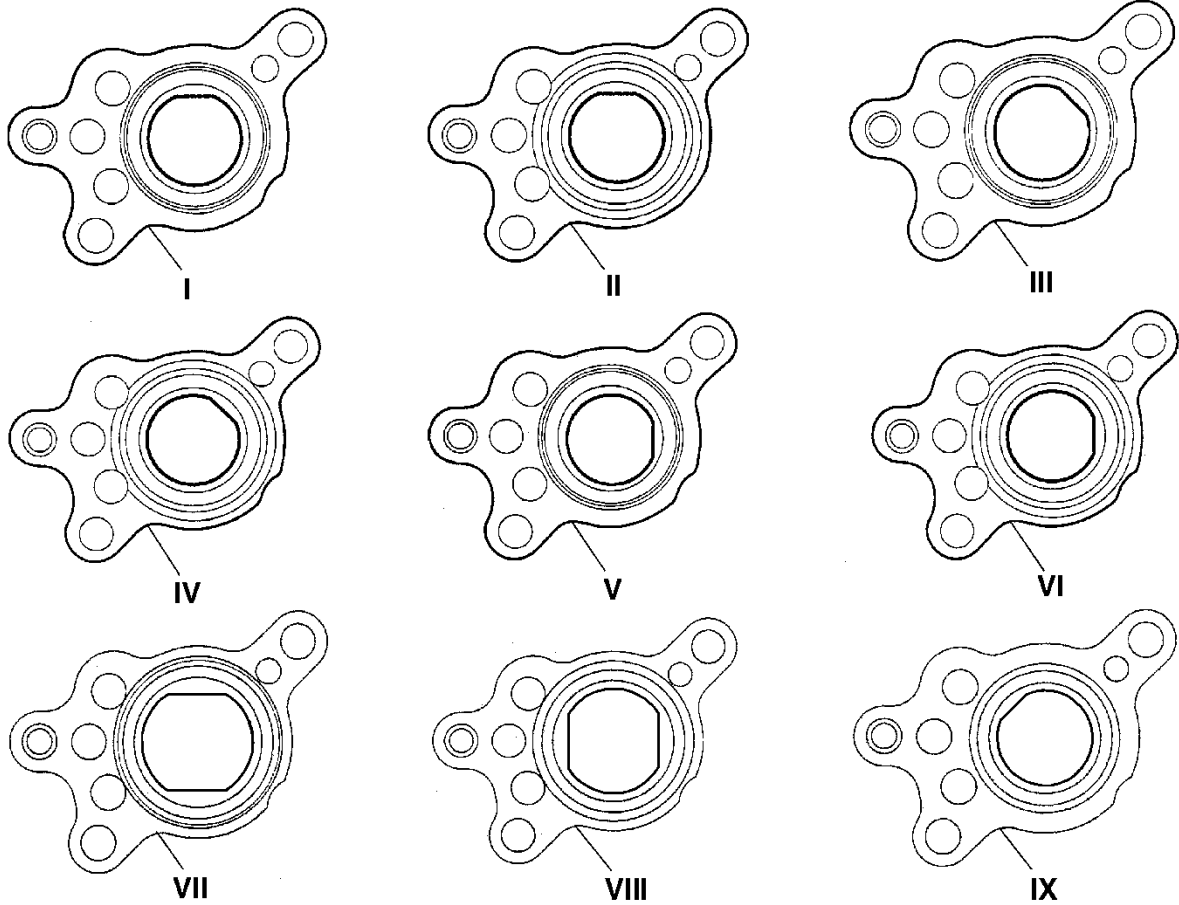
This document lists the lowest replaceable units (LRUs) for the standard version of the product. The LRUs are chosen by a team of Otis associates representing engineering and manufacturing.

While goal of this document is to make parts identification as easy as possible, the document cannot be all-inclusive. Elevator and escalator contracts classified as "special" or "custom" are not addressed here. For such contracts, please refer to specified information, the contract folder, TIPs, Field Education Articles, Construction Letters, etc. for further information.

If you have any suggestions about this document, please contact the subject matter expert listed on this page.

# Type AAA270BM Keyswitch Adaptors

**31-AAA270BM**

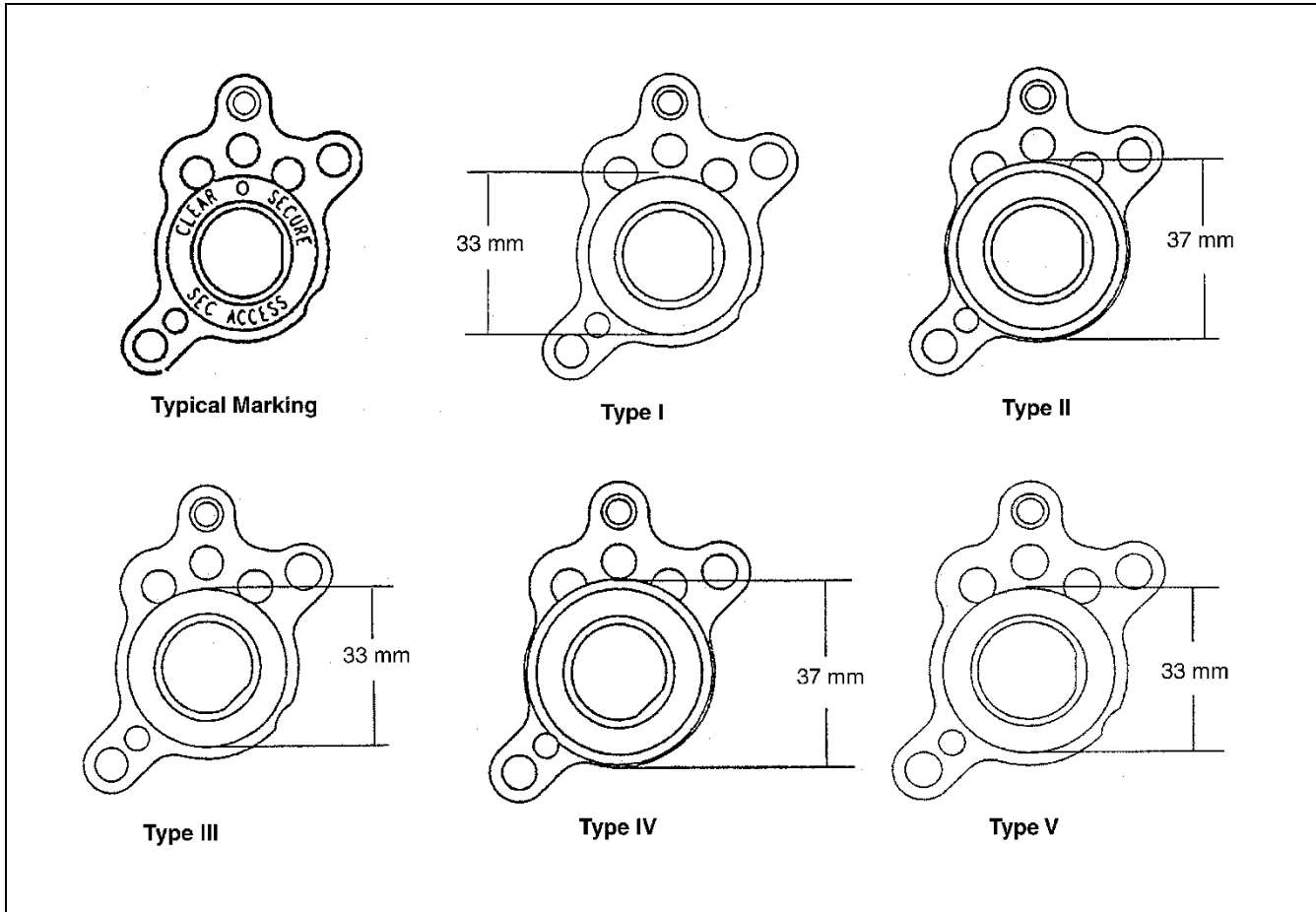


<b>W/O VINTAGE</b>		
<b>PART No.</b>	<b>DESCRIPTION</b>	<b>TYPE</b>
AAA270BM1	Adaptor, Light Ring, Clear	I
AAA270BM3	Adaptor, Light Ring, Red	
AAA270BM5	Adaptor, Light Ring, Blue	
AAA270BM2	Adaptor, Light Ring, Clear	II
AAA270BM4	Adaptor, Light Ring, Red	
AAA270BM6	Adaptor, Light Ring, Blue	
AAA270BM7	Adaptor, Light Ring, Clear	III
AAA270BM8	Adaptor, Light Ring, Clear	IV
AAA270BM9	Adaptor, Light Ring, Clear	V
AAA270BM11	Adaptor, Light Ring, Red	
AAA270BM10	Adaptor, Light Ring, Clear	VI
AAA270BM12	Adaptor, Light Ring, Red	VII
AAA270BM13	Adaptor, Light Ring, Red	VIII
AAA270BM14	Adaptor, Light Ring, Clear	IX

**NOTE:** Type AAA270BM collar adaptor is used w/Illinois manufactured lock, Otis's type A\*\*431AF.

# Type AAA270BN Keyswitch Adaptors

**31-AAA270BM**



PART No.	W/FUNCTION	ENGRAVING	COLOR	TYPE
AAA270BN101	(No Current Application)	OFF HOLD ON	Red	I
AAA270BN24		OFF ON GROUP SECURITY	Black	II
AAA270BN25		BYP OFF ON FIRE SERVICE	Black	II
AAA270BN26		ON OFF UP ACCESS	Black	II
AAA270BN27		CLS DRS OPEN CAR-TO-LOBBY	Black	II
AAA270BN28		2 0 I STANDBY PWR	Black	II
AAA270BN29		GROUP IND SERVICE	Black	II
AAA270BN40		II 0 I	Blue	II
AAA270BN51		OFF ON EMERG RECALL	Red	II
AAA270BN52		OFF AUTO ON EMERG RECALL	Red	II
AAA270BN54		XX AUTO XX EMERG POWER	Red	II
AAA270BN56		NORM ACKNOW ALARM CAR NO X	Black	II
AAA270BN65		BYP OFF FIRE SERVICE ON	Black	I
AAA270BN66		OFF HOLD ON FIRE SERVICE	Black	I

**NOTE 1:** Type AAA270BN engraved collar adaptor is used w/Illinois manufactured lock, Otis's type A\*\*431AF.

**NOTE 2:** If out of stock, see pages 9–15 for available alternatives.

*(Continued on Next Page)*

# Type AAA270BN Keyswitch Adaptors

# 31-AAA270BM

See page 4 for illustration

PART No.	W/FUNCTION	ENGRAVING	COLOR	TYPE
AAA270BN67	(No Current Application)	BYP OFF ON FIRE SERVICE	Black	II
AAA270BN68		OFF HOLD ON FIRE SERVICE	Black	II
AAA270BN81		AUTO 1 2 3	Red	I
AAA270BN82		AUTO 1 2 3 4	Red	I
AAA270BN83-*		AUTO X X X	Red	I
AAA270BN85		BYP OFF ON FIRE SERVICE	Red	I
AAA270BN98		RESET OFF ON FIRE RECALL	Red	I
AAA270BN4	Access	ON OFF UP ACCESS	Black	I
AAA270BN88	Access (Initiation)	OFF ENABLE ACCESS	Black	I
AAA270BN50-*	Alarm Acknowledged (ADAAG)	NORM ACKNOW ALARM CAR NO	Black	I
AAA270BN30	Attendant Service	OFF ON ATTENDANT	Black	II
AAA270BN8	Attendant Service	OFF ON ATTENDANT	Black	I
AAA270BN19	Attendant Service (ETO)	0 I	Blue	I
	Express Priority Service (ETO)			
	Group Security (ETO)			
	Independent Service (ETO)			
AAA270BN20	Blank	BLANK	Black	I
AAA270BN21	Blank	BLANK	Red	I
AAA270BN42	Blank	BLANK	Black	II
AAA270BN43	Blank	BLANK	Red	II
AAA270BN57	Blank	BLANK	Blue	I
AAA270BN58	Blank	BLANK	Blue	II
AAA270BN61	Car Call Cutout – Group	NORM CUTOFF CAR CALLS	Black	I
AAA270BN59-*	Car Park	NORM PARK CAR NO XX	Black	I
AAA270BN5	Car-to-Landing	CLS DRS OPEN CAR-TO-LOBBY	Black	I
AAA270BN18	Car-To-Landing (ETO)	II 0 I	Blue	I
AAA270BN62	Dual Group Operation	OFF ON DUAL GROUP	Black	I
AAA270BN1	Emergency Hospital Service	OFF ON PRIORITY SERV	Black	I
	Express Priority Service			
AAA270BN23	Emergency Hospital Service	OFF ON PRIORITY SERV	Black	II
AAA270BN49	Emergency Medical Service (MA)	OFF ON MEDICAL EMERG	Blue	III
AAA270BN48-*	Emergency Power (B44 Elevator)	XX AUTO XX EMERG POWER (XX = Contact Specified)	Red	I

**NOTE 1:** Type AAA270BN engraved collar adaptor is used w/Illinois manufactured lock, Otis's type A\*\*431AF.

**NOTE 2:** If out of stock, see pages 9–15 for available alternatives.

\* = Desired Marking, e.g., 4

(Continued on Next Page)

# Type AAA270BN Keyswitch Adaptors

## 31-AAA270BM

See page 4 for illustration

PART No.	W/FUNCTION	ENGRAVING	COLOR	TYPE
AAA270BN92	Emergency Power ASME A17.1 / CAN B44 2000 (Elev. Nos. as Spec)	I O 2	Red	I
AAA270BN93-*	Emergency Power ASME A17.1 / CAN B44 2000 (Elev. Nos. as Spec.)	XX O XX	Red	I
AAA270BN16	Fan	II O I FAN	Black	I
AAA270BN38	Fan	II O I FAN	Black	II
AAA270BN72-*	Floor Lockout Ksw	OFF ON FLOOR LOCKOUT X	Black	I
AAA270BN73	Hall Button Cutout Ksw	OFF ON HALL CALL CUTOUT	Black	I
AAA270BN60	Hall Call Cutout – Group	NORM CUTOFF HALL CALLS	Black	I
AAA270BN75	Hall Call Registration Ksw (Down)	DOWN	Black	I
AAA270BN74	Hall Call Registration Ksw (Up)	UP	Black	I
AAA270BN12	In-Car-Stop (ANSI)	STOP RUN	Black	I
	In-Car-Stop (B44)			
AAA270BN34	In-Car-Stop (ANSI)	STOP RUN	Black	II
AAA270BN7	Independent Service	GROUP IND IND SERVICE	Black	I
AAA270BN64-*	Independent Service – Hall	GROUP IND CAR NO XX	Black	I
AAA270BN41	Independent Service (ETO)	0 I	Blue	II
AAA270BN35	Inspection Initiation	OFF ON CAR TOP INSP	Black	II
AAA270BN39	Light	OFF ON LIGHT	Black	II
AAA270BN14	Light Ray Cutout	OFF ON LIGHT RAY	Black	I
AAA270BN36	Light Ray Cutout	OFF ON LIGHT RAY	Black	II
AAA270BN55	Medical Emergency	OFF ON MEDICAL EMERG	Red	IV
AAA270BN87	Medical Emergency	OFF ON MEDICAL EMERG	Blue	III
AAA270BN104	Medical Emergency	OFF ON MEDICAL EMERG	Blue	I
AAA270BN11	Power	OFF ON POWER	Black	I
AAA270BN33	Power	OFF ON POWER	Black	II
AAA270BN15	Rear Light Ray Cutout	OFF ON R LIGHT RAY	Black	I
AAA270BN37	Rear Light Ray Cutout	OFF ON R LIGHT RAY	Black	II
AAA270BN10	Secure Access	CLEAR O SECURE ACCESS	Black	I
AAA270BN32	Secure Access	CLEAR O SECURE ACCESS	Black	II
AAA270BN63	Separate Riser Operation	OFF ON SEPARATE RISER	Black	I

**NOTE 1:** Type AAA270BN engraved collar adaptor is used w/llinois manufactured lock, Otis's type A\*\*431AF.

**NOTE 2:** If out of stock, see pages 9–15 for available alternatives.

\* = Desired Marking, e.g., 4

(Continued on Next Page)

# Type AAA270BN Keyswitch Adaptors

# 31-AAA270BM

See page 4 for illustration

PART No.	W/FUNCTION	ENGRAVING	COLOR	TYPE
AAA270BN71	SES Phase I (ANSI 1987, CA, PA)	BYP OFF ON FIRE SERVICE	Red	I
	SES Phase I (ANSI, CA, PA)			
	SES Phase I w/LED (ANSI 1987, CA, PA)			
	SES Phase I w/o LED (ANSI 1987, CA, PA)			
AAA270BN90	SES Phase I (ANSI 2000) – Active High	RESET OFF ON FIRE RECALL	Red	I
	SES Phase I (PA ANSI 2000) – Active High			
	SES Phase I (PA ANSI 2000) – Active Low			
	SES Phase I ASME A17.I / CAN B44 2000			
AAA270BN70	SES Phase I (ANSI, CA, PA)	OFF ON FIRE SERVICE	Red	I
	SES Phase I Remote (ANSI 1987, CA, PA)			
	SES Phase I Remote w/LED (ANSI 1987, CA, PA)			
	SES Phase I Remote w/o LED (ANSI, CA, PA)			
	SES Phase II (CA, PA)			
AAA270BN46	SES Phase I (B44 Automatic Emergency Recall)	OFF AUTO ON EMERG RECALL	Red	I
	SES Phase II (B44 Automatic Emergency Recall)			
AAA270BN45	SES Phase I (B44 Manual Emergency Recall)	OFF ON EMERG RECALL	Red	I
	SES Phase I Remote (B44 Manual Emergency Recall)			
AAA270BN102	SES Phase I (CA ANSI 1998)	BYPASS OFF ON FIRE SERVICE	Red	I
AAA270BN91	SES Phase I Remote (PA ANSI 2000) – Active Low	OFF ON FIRE RECALL	Red	I
	SES Phase I Remote ASME A17.I / CAN B44 2000			
AAA270BN22	SES Phase I Remote (ANSI 1987, CA, PA)	OFF ON FIRE SERVICE	Black	I
	SES Phase II (CA, PA)			
AAA270BN86	SES Phase I Secondary (S.C.)	OFF ON FIRE SERVICE	Red	I

**NOTE 1:** Type AAA270BN engraved collar adapter is used w/llinois manufactured lock, Otis's type A\*\*431AF.

**NOTE 2:** If out of stock, see pages 9–15 for available alternatives.

*(Continued on Next Page)*

**31-AAA270BM****Type AAA270BN Keyswitch Adaptors**

See page 4 for illustration

<b>PART No.</b>	<b>W/FUNCTION</b>	<b>ENGRAVING</b>	<b>COLOR</b>	<b>TYPE</b>
AAA270BN99	SES Phase I Secondary (S.C. A17.1 2000)	OFF ON FIRE RECALL	Red	I
AAA270BN108	SES Phase I Secondary (R.I.)	OFF ON FIRE SERVICE	Red	V
AAA270BN111	SES Phase I Secondary (R.I. A17.1 2000)	OFF ON FIRE RECALL	Red	V
AAA270BN3	SES Phase I (ANSI 1987, CA, PA)	BYP OFF ON FIRE SERVICE	Black	I
AAA270BN107	SES Phase I (R.I.)	BYP OFF ON FIRE SERVICE	Red	V
AAA270BN110	SES Phase I (R.I. A17.1 2000)	RESET OFF ON FIRE RECALL	Red	V
AAA270BN78	SES Phase I (S.C.)	BYP OFF ON FIRE SERVICE	Red	I
AAA270BN97	SES Phase I (S.C. A17.1 2000)	RESET OFF FIRE RECALL	Red	I
AAA270BN95	SES Phase I (S.C. 2000)	RESET OFF ON FIRE RECALL	Red	I
AAA270BN69	SES Phase II (ANSI 1987)	OFF HOLD ON FIRE SERVICE	Red	I
AAA270BN76	SES Phase II (ANSI 1987)	OFF HOLD ON FIRE SERVICE	Red	II
AAA270BN9	SES Phase II (ANSI 1987)	OFF HOLD ON FIRE SERVICE	Black	I
AAA270BN89	SES Phase II (ANSI 2000)	OFF HOLD ON FIRE OPERATION	Red	I
	SES Phase II (ANSI 2000)-Active High			
	SES Phase II ASME A17.1 / CAN B44 2000			
AAA270BN53	SES Phase II (B44 Code)	OFF HOLD ON EMERGENCY	Red	II
AAA270BN47	SES Phase II (B44 In-Car Emergency Service)	OFF HOLD ON EMERGENCY	Red	I
AAA270BN44	SES Phase II (CA, PA)	OFF ON FIRE SERVICE	Black	II
AAA270BN77	SES Phase II (CA, PA)	OFF ON FIRE SERVICE	Red	II
AAA270BN31	SES Phase II (CT)	OFF HOLD ON FIRE SERVICE	Black	II
AAA270BN94	SES Phase II (PA ANSI 2000)	OFF ON FIRE OPERATION	Red	I
AAA270BN106	SES Phase II (R.I.)	OFF HOLD ON FIRE SERVICE	Red	V
AAA270BN112	SES Phase II (R.I. A17.1 2000)	OFF HOLD ON	Red	V
AAA270BN109	SES Phase II (R.I. A17.1 2000)	OFF HOLD ON FIRE SERVICE	Red	V
AAA270BN79	SES Phase II (S.C.)	OFF HOLD ON FIRE SERVICE	Red	I
AAA270BN80	SES Phase II (S.C.)	OFF HOLD ON FIRE SERVICE	Red	II
AAA270BN100	SES Phase II (S.C. A17.1 2000)	OFF HOLD ON	Red	I
AAA270BN103	SES Phase II (S.C. A17.1 2000)	OFF HOLD ON FIRE OPERATION	Red	I
AAA270BN96	SES Phase II (S.C. 2000)	OFF HOLD ON FIRE OPERATION	Red	I
AAA270BN105	3-Speed Fan	OFF 1 2 3 4 FAN	Black	I
AAA270BN6	Standby Power	2 0 I STANDBY PWR	Black	I
AAA270BN84	Wild Car Operation	OFF ON 0	Black	I

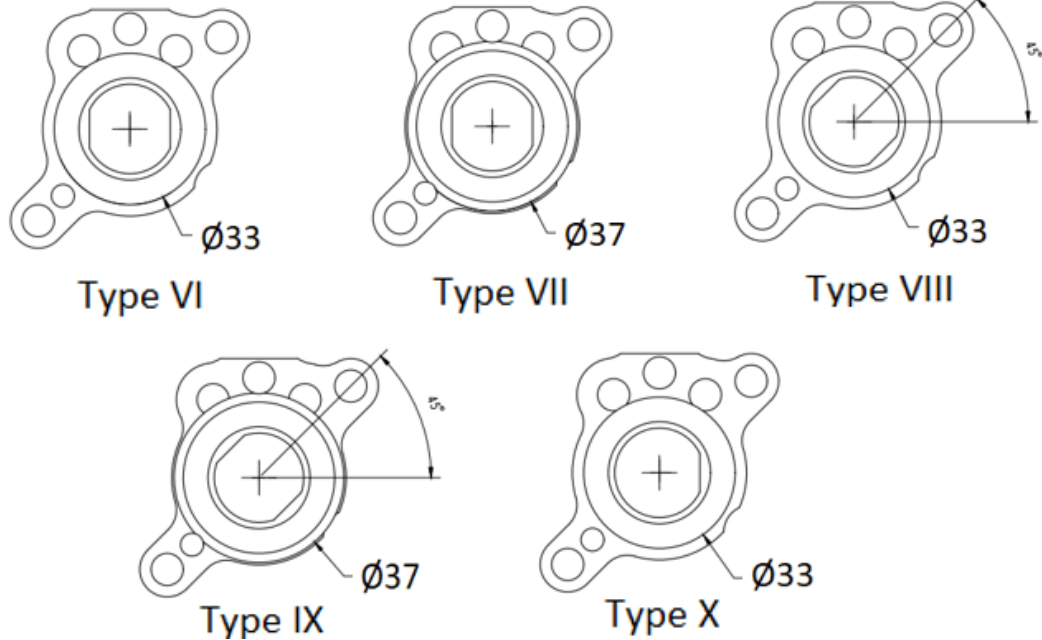
**NOTE 1:** Type AAA270BN engraved collar adaptor is used w/llinois manufactured lock, Otis's type A\*\*431AF.

**NOTE 2:** If out of stock, see pages 9–15 for available alternatives.



# Type AAA270BN Keyswitch Adaptors

**31-AAA270BM**



PART No.	W/FUNCTION	ENGRAVING	COLOR	TYPE
AAA270BN204	Access	DN-OFF-UP ACCESS	Black	VI
AAA270BN226				VII
AAA270BN338	Access (A17.1 2013)	UP-OFF-DN ACCESS	Black	VI
AAA270BN288	Access Initiation	OFF-ENABLE ACCESS	Black	X
AAA270BN250-*	Alarm Acknowledged (ADAAG)	NORM-ACKNOW ALARM CAR NO X (X - Contact Specified)	Black	VI
AAA270BN256-*				VII
AAA270BN208	Attendant Service	OFF-ON ATTENDANT	Black	VI
AAA270BN230				VII
AAA270BN219	Attendant Service (ETO) Express Priority Service (ETO) Group Security (ETO) Independent Service (ETO)	0-1	Blue	VI
AAA270BN241				VII
AAA270BN261	Car Call Cutout (Group)	NORM-CUTOFF CAR CALLS	Black	VI
AAA270BN259-*	Car Park	NORM-PARK CAR NO XX (XX-Contract Specified)	Black	VI
AAA270BN218	Car-To-Landing (ETO)	II-0-I	Blue	VI
AAA270BN240				VII
AAA270BN205	Car-To-Lobby	CLS-DRS-OPEN CAR-TO-LOBBY	Black	VI
AAA270BN227				VII

**NOTE:** Type AAA270BN engraved collar adaptor is used w/Illinois manufactured lock, Otis's type A\*\*431AF.

\* Desired marking. **Example:** AAA270BN250-A is alarm acknowledged keyswitch adaptor for car A.

*(Continued on Next Page)*

# Type AAA270BN Keyswitch Adaptors

# 31-AAA270BM

See page 9 for illustration

PART No.	W/FUNCTION	ENGRAVING	COLOR	TYPE
AAA270BN262	Dual Group Operation	OFF-ON DUAL GROUP	Black	VI
AAA270BN341	Elevator Communication Failure	OFF-RESET ALARM RESET	Black	VI
AAA270BN201	Emergency Hospital Service Express Priority Service	OFF-ON PRIORITY SERV	Black	VI
AAA270BN223				VII
AAA270BN249	Emergency Medical Service (MA)	OFF-ON MEDICAL EMERG	Blue	VIII
AAA270BN248-**-*	Elevator Emergency Power (B44) (Elevator Numbers as Spec.)	XX-AUTO-XX EMERG POWER (XX - Contact Specified)	Red	VI
AAA270BN254-**-*				VII
AAA270BN292	Elevator Emergency Power (ASME A17.1 / B44 2000) (Elevator Numbers 1 & 2)	1-AUTO-2	Red	X
AAA270BN293-**-*	Elevator Emergency Power (ASME A17.1 / B44 2000) (Elevator Numbers as Spec.)	XX-AUTO-XX (XX – Contract Specified)	Red	X
AAA270BN339	Elevator Emergency Power (ASME A17.1 2004, Phoenix, AZ) (Elevator Numbers 1 & 2)	AUTO-1-2 EMERG POWER	Red	VI
AAA270BN340-**-*	Elevator Emergency Power (ASME A17.1 2004, Phoenix, AZ) (Elevator Numbers as Spec.)	AUTO-XX-XX EMERG POWER (XX - Contact Specified)	Red	VI
AAA270BN216	Fan, 2-Speed	II-0-I FAN	Black	VI
AAA270BN238				VII
AAA270BN305	Fan, 3-Speed	OFF-1-2-3 FAN	Black	VI
AAA270BN272-**-*	Floor Lockout	OFF-ON FLOOR LOCKOUT X209 (X – Contract Specified)	Black	VI
AAA270BN202	Group Security	OFF-ON GROUP SECURITY	Black	VI
AAA270BN224				VII
AAA270BN273	Hall Button Cutout	OFF-ON HALL CALL CUTOUT	Black	VI
AAA270BN260	Hall Call Cutout – Group	NORM-CUTOFF HALL CALLS	Black	VI

**NOTE:** Type AAA270BN engraved collar adaptor is used w/Illinois manufactured lock, Otis's type A\*\*431AF.

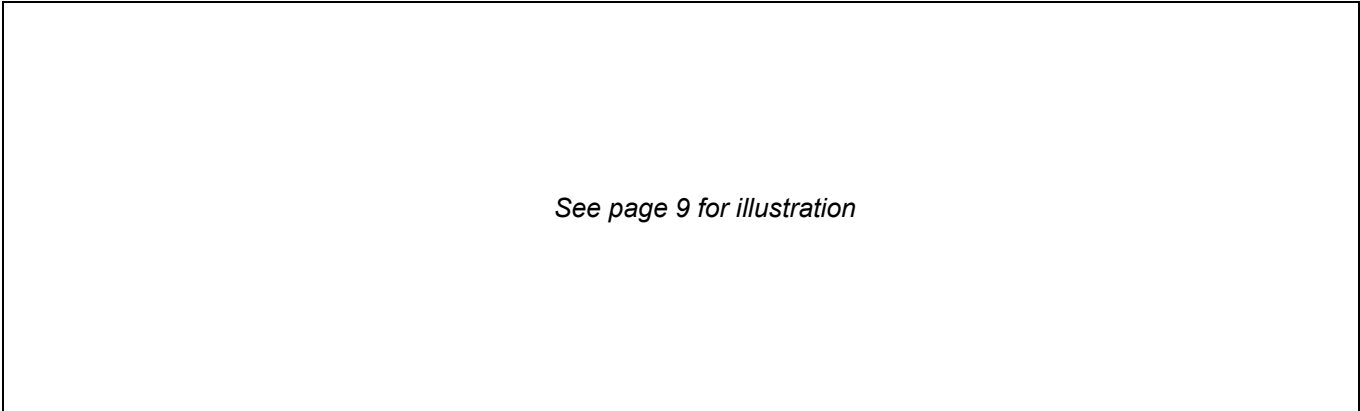
\* Desired marking. **Example:** AAA270BN248-5-6 is elevator emergency power keyswitch adaptor for cars 5 and 6.

\*\* Desired marking. **Example:** AAA270BN272-3 is floor lockout keyswitch adaptor for floor 3.

(Continued on Next Page)

# Type AAA270BN Keyswitch Adaptors

**31-AAA270BM**



See page 9 for illustration

<b>PART No.</b>	<b>W/FUNCTION</b>	<b>ENGRAVING</b>	<b>COLOR</b>	<b>TYPE</b>
AAA270BN275	Hall Call Registration (Down)	DOWN	Black	VI
AAA270BN274	Hall Call Registration (Up)	UP	Black	VI
AAA270BN212	In-Car-Stop (ANSI & B44)	STOP-RUN	Black	VI
AAA270BN234				VII
AAA270BN247	In-Car Emergency Service (SES Phase II, B44)	OFF-HOLD-ON EMERGENCY	Red	VI
AAA270BN253				VII
AAA270BN207	Independent Service	GROUP-IND IND SERVICE	Black	VI
AAA270BN229				VII
AAA270BN264-*	Independent Service (Hall)	GROUP-IND CAR NO XX (XX – Contract Specified)	Black	VI
AAA270BN213	Inspection Initiation (Top-of-Car)	OFF-ON CAR TOP INSP	Black	VI
AAA270BN235				VII
AAA270BN344	Inspection Initiation	OFF-ENABLE INSPECTION	Black	X
AAA270BN217	Light	OFF-ON LIGHT	Black	VI
AAA270BN239				VII
AAA270BN214	Light Ray Cutout	OFF-ON LIGHT RAY	Black	VI
AAA270BN236				VII
AAA270BN255	Medical Emergency	OFF-ON MEDICAL EMERG	Blue	IX
AAA270BN287				VIII
AAA270BN304				VI
AAA270BN211	Power	OFF-ON POWER	Black	VI
AAA270BN233				VII
AAA270BN215	Rear Light Ray Cutout	OFF-ON R LIGHT RAY	Black	VI
AAA270BN237				VII
AAA270BN210	Secure Access	CLEAR-O-SECURE SEC ACCESS	Black	VI
AAA270BN232				VII
AAA270BN263	Separate Riser Operation	OFF-ON SEPARATE RISER	Black	VI

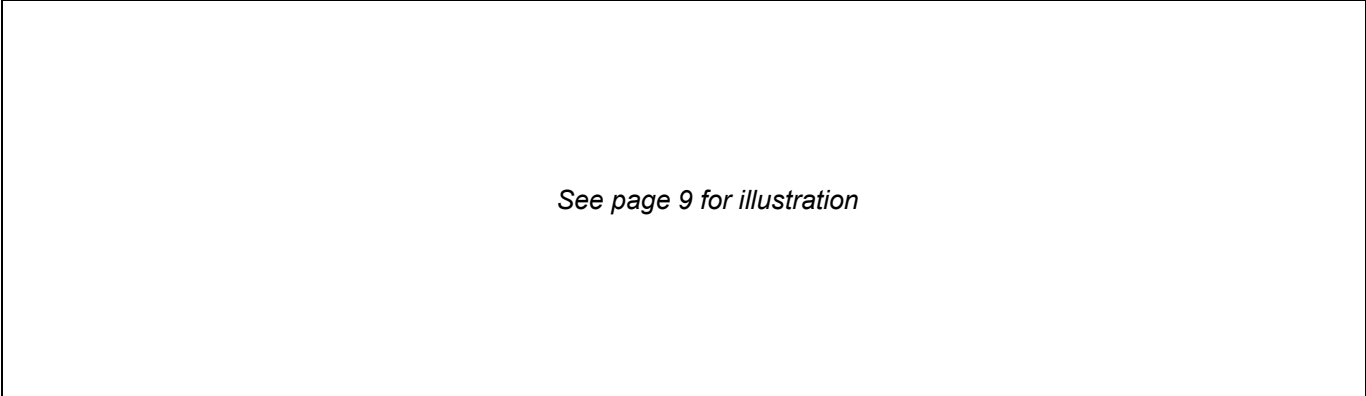
**NOTE:** Type AAA270BN engraved collar adaptor is used w/Illinois manufactured lock, Otis's type A\*\*431AF.

\* Desired marking. **Example:** AAA270BN264-3 is independent service keyswitch adaptor for car 3.

*(Continued on Next Page)*

# Type AAA270BN Keyswitch Adaptors

## 31-AAA270BM



See page 9 for illustration

PART No.	W/FUNCTION	ENGRAVING	COLOR	TYPE
AAA270BN203	SES Phase I (ANSI 1987, CA, PA)	BYP-OFF-ON FIRE SERVICE	Black	VI
AAA270BN225				VII
AAA270BN271	SES Phase I (ANSI 1987, CA, PA)* SES Phase I (ANSI, CA, PA)*	BYP-OFF-ON FIRE SERVICE	Red	X
AAA270BN278	SES Phase I (SC)	BYP-OFF-ON FIRE SERVICE	Red	VI
AAA270BN290	SES Phase I (ASME A17.1 /B44 2000) SES Phase I (ANSI 2000, PA) (Active High) SES Phase I (ANSI 2000, PA) (Active Low)	RESET-OFF-ON FIRE RECALL	Red	X
AAA270BN295	SES Phase I (2000, SC)	RESET-OFF-ON FIRE RECALL	Red	VI
AAA270BN297	SES Phase I (A17.1 2000, SC)	RESET-OFF-ON FIRE RECALL	Red	VI
AAA270BN302	SES Phase I (ANSI 1998, CA)	BYPASS-OFF-ON FIRE SERVICE	Red	VI
AAA270BN307	SES Phase I (RI)	BYP-OFF-ON FIRE SERVICE	Red	VI
AAA270BN310	SES Phase I (A17.1 2000, RI)	RESET-OFF-ON FIRE RECALL	Red	VI
AAA270BN222	SES Phase I Remote (ANSI 1987, CA, PA) SES Phase II (CA, PA)	OFF-ON FIRE SERVICE	Black	VI
AAA270BN270	SES Phase I Remote (ANSI 1987, CA, PA)* SES Phase I Remote (ANSI, CA, PA)* SES Phase II (CA, PA)	OFF-ON FIRE SERVICE	Red	X
AAA270BN286	SES Phase I Remote (SC)	OFF-ON FIRE SERVICE	Red	VI
AAA270BN291	SES Phase I Remote (ASME A17.1 /B44 2000)	OFF-ON FIRE RECALL	Red	X
AAA270BN299	SES Phase I Remote (A17.1 2000, SC)	OFF-ON FIRE RECALL	Red	VI
AAA270BN308	SES Phase I Remote (RI)	OFF-ON FIRE SERVICE	Red	VI
AAA270BN311	SES Phase I Remote (A17.1 2000, RI)	OFF-ON FIRE RECALL	Red	VI

**NOTE:** Type AAA270BN engraved collar adaptor is used w/Illinois manufactured lock, Otis's type A\*\*431AF.

*(Continued on Next Page)*

# Type AAA270BN Keyswitch Adaptors

**31-AAA270BM**

See page 9 for illustration

PART No.	W/FUNCTION	ENGRAVING	COLOR	TYPE
AAA270BN246	SES Phase I & SES Phase I Remote (B44 Automatic Emergency Recall)	OFF-AUTO-ON EMERG RECALL	Red	VI
AAA270BN252				VII
AAA270BN245	SES Phase I & SES Phase I Remote (B44 Manual Emergency Recall)	OFF-ON EMERG RECALL	Red	VI
AAA270BN251				VII
AAA270BN209	SES Phase II (ANSI 1987)	OFF-HOLD-ON FIRE SERVICE	Black	VI
AAA270BN231	SES Phase II (CT)	OFF-HOLD-ON FIRE SERVICE	Black	VII
AAA270BN244	SES Phase II (CA, PA)	OFF-ON FIRE SERVICE	Black	VII
AAA270BN269	SES Phase II (ANSI 1987)	OFF-HOLD-ON FIRE SERVICE	Red	X
AAA270BN276	SES Phase II (ANSI 1987)	OFF-HOLD-ON FIRE SERVICE	Red	X
AAA270BN277	SES Phase II (CA, PA)	OFF-ON FIRE SERVICE	Red	VII
AAA270BN279	SES Phase II (SC)	OFF-HOLD-ON FIRE SERVICE	Red	VI
AAA270BN280				VII
AAA270BN289	SES Phase II (ANSI 2000) SES Phase II ASME A17.1 / B44 2000 SES Phase II (ANSI 2000) (Active High)	OFF-HOLD-ON FIRE OPERATION	Red	X
AAA270BN294	SES Phase II (ANSI 2000, PA)	OFF-ON FIRE OPERATION	Red	VI
AAA270BN296	SES Phase II (A17.1 pre 2000, SC)	OFF-HOLD-ON FIRE OPERATION	Red	VI
AAA270BN300	SES Phase II (2000, SC)	OFF-HOLD-ON	Red	VI
AAA270BN301	SES Phase II (pre 2000, SC)	OFF-HOLD-ON	Red	VI
AAA270BN303	SES Phase II (A17.1 2000, SC)	OFF-HOLD-ON FIRE OPERATION	Red	VI
AAA270BN306	SES Phase II (2000, RI)	OFF-HOLD-ON FIRE SERVICE	Red	VI
AAA270BN309	SES Phase II (A17.1 2000, RI)	OFF-HOLD-ON FIRE SERVICE	Red	VI
AAA270BN312	SES Phase II (pre 2000, RI)	OFF-HOLD-ON	Red	VI
AAA270BN206	Standby Power	2-0-1 STANDBY PWR	Black	VI
AAA270BN228				VII
AAA270BN284	Wild Car Operation	OFF-ON 0	Black	VI

**NOTE:** Type AAA270BN engraved collar adaptor is used w/Illinois manufactured lock, Otis's type A\*\*431AF.

*(Continued on Next Page)*

# Type AAA270BN Keyswitch Adaptors

# 31-AAA270BM

See page 9 for illustration

PART No.	W/FUNCTION	ENGRAVING	COLOR	TYPE
AAA270BN342	(No Current Application) Earthquake Hoist way Scan	OFF-INITIATE EQ HOISWAY SCAN	Black	VI
AAA270BN265	(No Current Application) SES Phase I	BYP-OFF-ON FIRE SERVICE	Black	VI
AAA270BN285	(No Current Application) SES Phase I	BYP-OFF-ON FIRE SERVICE	Red	VI
AAA270BN267	(No Current Application) SES Phase I	BYP-OFF-ON FIRE SERVICE	Black	VII
AAA270BN285	(No Current Application) SES Phase I	BYP-OFF-ON FIRE SERVICE	Red	VI
AAA270BN298	(No Current Application) SES Phase I	RESET-OFF-ON FIRE RECALL	Red	VI
AAA270BN266	(No Current Application) SES Phase II	OFF-HOLD-ON FIRE SERVICE	Black	VI
AAA270BN268	(No Current Application) SES Phase II	OFF-HOLD-ON FIRE SERVICE	Black	VII
AAA270BN343	(No Current Application) SES Phase II	OFF-HOLD-ON	Red	VI
AAA270BN281	(No Current Application) Elevator Emergency Power (4-position)	AUTO-1-2-3	Red	VI
AAA270BN282	(No Current Application) Elevator Emergency Power (5-position)	AUTO-1-2-3-4	Red	VI
AAA270BN283-*-*	(No Current Application) Elevator Emergency Power (4-position, as spec)	AUTO-X-X-X (Contract Specified)	Red	VI
AAA270BN313	(No Current Application) Elevator Emergency Power (4-position)	2-AUTO-3-4 EMERG POWER	Red	VI
AAA270BN314	(No Current Application) Elevator Emergency Power (4-position)	1-AUTO-2-3 EMERG POWER	Red	VI
AAA270BN315	(No Current Application) Elevator Emergency Power (3-position)	1-AUTO-2 EMERG POWER	Red	VI
AAA270BN317	(No Current Application) Elevator Light Test	OFF-ON E LIGHT TEST	Black	VI
AAA270BN318	(No Current Application) Elevator Emergency Power (3-position)	AUTO-1-2	Red	VI
AAA270BN319	(No Current Application) Elevator Emergency Power (4-position)	AUTO-1-2-3	Red	VI

**NOTE:** Type AAA270BN engraved collar adaptor is used w/Illinois manufactured lock, Otis's type A\*\*431AF.

\* Desired marking. **Example:** AAA270BN283-5-6-7 is elevator emergency power keyswitch adaptor for cars 5, 6, and 7.

(Continued on Next Page)

# Type AAA270BN Keyswitch Adaptors

**31-AAA270BM**

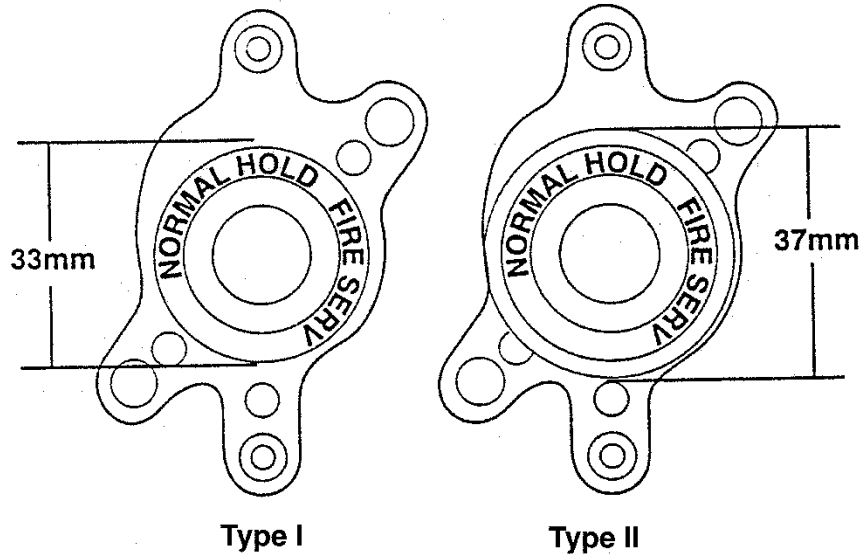
See page 9 for illustration

<b>PART No.</b>	<b>W/FUNCTION</b>	<b>ENGRAVING</b>	<b>COLOR</b>	<b>TYPE</b>
AAA270BN320	(No Current Application) Elevator Emergency Power (5-position)	AUTO-1-2-3-4	Red	VI
AAA270BN321	(No Current Application) Elevator Emergency Power (6-position)	AUTO-1-2-3-4-5	Red	VI
AAA270BN322	(No Current Application) Elevator Emergency Power (7-position)	AUTO-1-2-3-4-5-6	Red	VI
AAA270BN323	(No Current Application) Elevator Emergency Power (8-position)	AUTO-1-2-3-4-5-6-7	Red	VI
AAA270BN324	(No Current Application) Light / Fan	LIGHT-OFF-FAN/LIGHT	Red	VI
AAA270BN325	(No Current Application) Card Reader	OFF-ON CARD READER	Red	VI
AAA270BN326	(No Current Application) Park And Shut Down	OFF-ON PARK AND SHUT DOWN	Red	VI
AAA270BN327	(No Current Application) Voice / Tone	OFF-ON VOICE/TONE	Black	VI
AAA270BN328	(No Current Application) Swing Car	OFF-ON SWING CAR	Black	VI
AAA270BN329	(No Current Application) Off-On	OFF-ON	Black	VI
AAA270BN330	(No Current Application) Hoistway Vent	OFF-ON HOISTWAY VENT	Black	VI
AAA270BN331	(No Current Application) Medical Code Blue	OFF-ON CODE BLUE	Blue	VI
AAA270BN332	(No Current Application) Vent Control	II-O-I VENT	Black	VI
AAA270BN333	(No Current Application) Light ( <b>Spanish</b> )	OFF-ON LUZ	Black	VI
AAA270BN334	(No Current Application) Elevator ( <b>Spanish</b> )	OFF-ON ELEVTA	Black	VI
AAA270BN335	(No Current Application) SES Phase II ( <b>Spanish</b> )	OFF-HOLD-ON SERV BOMBEROS	Red	VI
AAA270BN336	(No Current Application) SES Phase I ( <b>Spanish</b> )	BYP-HOLD-ON SERV BOMBEROS	Red	VI
AAA270BN337	(No Current Application) Independent Service ( <b>Spanish</b> )	GRUPO-INDEP SERV INDEP	Black	VI

**NOTE:** Type AAA270BN engraved collar adaptor is used w/Illinois manufactured lock, Otis's type A\*\*431AF.

# Type AAA270BP Keyswitch Adaptors

**31-AAA270BM**

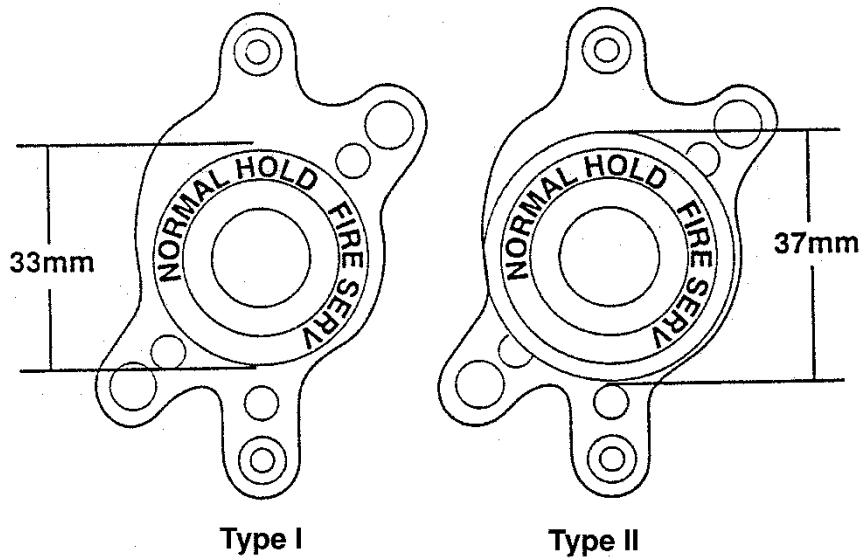


PART No.	W/FUNCTION	ENGRAVING	COLOR	TYPE
AAA270BP13	(No Current Application)	NORMAL FIRE SERV	Black	II
AAA270BP15	(No Current Application)	BYPASS OFF ON FIRE SERV	Black	II
AAA270BP8	(No Current Application)	NORM FIRE SERV	Black	II
AAA270BP9	(No Current Application)	NORMAL FIRE SERV	Black	I
AAA270BP1	Blank	BLANK	Red	I
AAA270BP2	Blank	BLANK	Black	I
AAA270BP5	Blank	BLANK	Red	II
AAA270BP6	Blank	BLANK	Black	II
AAA270BP17	SES Phase I (Chicago)	OFF ON FIRE SERV	Red	I
	SES Phase I Remote (Chicago)			
	SES Phase I Remote (MA)			
	SES Phase II (Chicago)			
AAA270BP3	SES Phase I (Chicago)	OFF ON FIRE SERV	Black	I
	SES Phase I Remote (Chicago)			
	SES Phase I Remote (MA)			
	SES Phase II (Chicago)			
AAA270BP11	SES Phase I (MA)	BYPASS OFF ON FIRE SERV	Black	I
AAA270BP21	SES Phase I (MA)	BYPASS OFF ON FIRE SERV	Red	I
AAA270BP18	SES Phase I (NYC 1991)	NORM FIRE SERV	Red	I
	SES Phase I Remote (NYC 1991)			

**NOTE:** Type AAA270BP engraved collar adaptor is used w/Otis type lock A431C.

*(Continued on Next Page)*



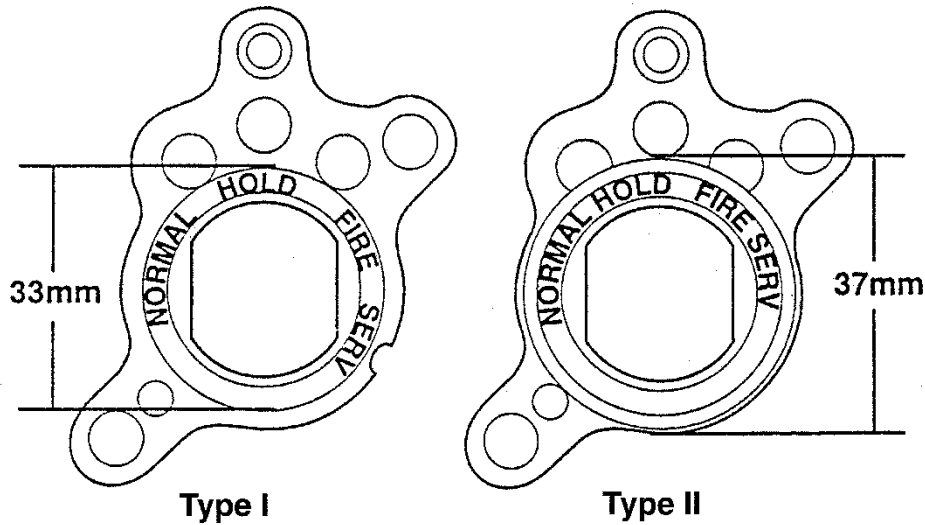


PART No.	W/FUNCTION	ENGRAVING	COLOR	TYPE
AAA270BP4	SES Phase I (NYC 1991)	NORM FIRE SERV	Black	I
AAA270BP19	SES Phase II (Chicago)	OFF ON FIRE SERV	Red	II
AAA270BP7	SES Phase II (Chicago)	OFF ON FIRE SERV	Black	II
AAA270BP12	SES Phase II (MA)	OFF HOLD ON FIRE SERV	Black	I
AAA270BP16	SES Phase II (MA)	OFF HOLD ON FIRE SERV	Black	II
AAA270BP22	SES Phase II (MA)	OFF HOLD ON FIRE SERV	Red	I
AAA270BP24	SES Phase II (MA)	OFF HOLD ON FIRE SERV	Red	II
AAA270BP10	SES Phase II (NYC 1991)	NORMAL HOLD FIRE SERV	Black	I
AAA270BP14	SES Phase II (NYC 1991)	NORMAL HOLD FIRE SERV	Black	II
AAA270BP20	SES Phase II (NYC 1991)	NORMAL HOLD FIRE SERV	Red	I
AAA270BP23	SES Phase II (NYC 1991)	NORMAL HOLD FIRE SERV	Red	II

**NOTE:**Type AAA270BP engraved collar adapter is used w/Otis type lock A431C.

# Type AAA270CN Keyswitch Adaptors

**31-AAA270BM**



PART No.	W/FUNCTION	ENGRAVING	COLOR	TYPE
AAA270CN13	(No Current Application)	BYPASS OFF ON FIRE SERV	Black	II
AAA270CN15	(No Current Application)	IND GROUP SERVICE	Black	I
AAA270CN27	(No Current Application)	NORM FIRE SERV	Red	II
AAA270CN5	(No Current Application)	NORMAL HOLD FIRE SERV	Black	I
AAA270CN6	(No Current Application)	BYPASS OFF ON FIRE SERV	Black	I
AAA270CN36	(No Current Applications)	OFF ON FIRE OPERATION	Red	I
AAA270CN20	2-Speed Fan	ON OFF HIGH FAN	Black	I
AAA270CN24	Access	U OFF D ACCESS	Black	I
AAA270CN1	Blank	BLANK	Red	I
AAA270CN2	Blank	BLANK	Black	I
AAA270CN8	Blank	BLANK	Red	II
AAA270CN9	Blank	BLANK	Black	II
AAA270CN17	Car Light	OFF ON LIGHT	Black	I
AAA270CN16	FAN	OFF ON FAN	Black	I
AAA270CN18	Hospital Service	OFF ON SERVICE	Black	I
AAA270CN22	In-Car-Stop (ANSI)	STOP RUN	Black	I
AAA270CN21	Inspection Init. (B44)	OFF INSP CAR TOP	Black	I
AAA270CN19	Light Ray	OFF ON LIGHT RAY	Black	I
AAA270CN23	Park, C-T-L	PARK OFF LOBBY	Black	I
AAA270CN3	SES Phase I (Chicago)	OFF ON FIRE SERV	Black	I
	SES Phase I Remote (Chicago)			
	SES Phase I Remote (MA)			
	SES Phase II (Chicago)			

**NOTE:** Type AAA270CN engraved collar adapter is used w/Northeast manufactured lock, Otis type A\*\*431AK.

*(Continued on Next Page)*

# Type AAA270CN Keyswitch Adaptors

**31-AAA270BM**

See page 11 for illustration

PART No.	W/FUNCTION	ENGRAVING	COLOR	TYPE
AAA270CN29	SES Phase I (Chicago) Active High w/LED	OFF ON FIRE SERV	Red	I
	SES Phase I (Chicago) Active High w/o LED			
	SES Phase I (Chicago) w/LED			
	SES Phase I (Chicago) w/o LED			
	SES Phase I Remote (Chicago) Active High w/LED			
	SES Phase I Remote (Chicago) Active High w/o LED			
	SES Phase I Remote (Chicago) w/LED			
	SES Phase I Remote (Chicago) w/o LED			
	SES Phase I Remote (MA) w/LED			
	SES Phase I Remote (MA) w/o LED			
	SES Phase II (Chicago)			
	SES Phase II (Chicago) Active High			
AAA270CN11	SES Phase I (MA)	NORM FIRE SERV	Black	II
AAA270CN30	SES Phase I (MA) Active High w/LED	BYPASS OFF ON FIRE SERV	Red	I
	SES Phase I (MA) Active High w/o LED			
	SES Phase I (MA) w/LED			
	SES Phase I (MA) w/o LED			
AAA270CN37	SES Phase I (MA 2000) w/LED	RESET OFF ON FIRE RECALL	Red	I
	SES Phase I Remote (MA 2000) w/LED			
	SES Phase I (MA 2000) Active High w/LED			
	SES Phase I (MA 2000) w/o LED			
AAA270CN35	SES Phase I Remote (MA 2000) w/o LED	OFF ON FIRE RECALL	Red	I
	SES Phase I (MA 2000) Active High w/o LED			
AAA270CN40	SES Phase I (NH 2000) w/LED	RESET OFF ON	Red	I
AAA270CN41	SES Phase I Remote (NH 2000) w/LED	OFF ON	Red	I
AAA270CN34	SES Phase I (NYC pre-1987) Active High w/LED	NORM FIRE SERV OPEN	Red	I
	SES Phase I Remote (NYC pre-1987) Active High w/LED			

**NOTE:** Type AAA270CN engraved collar adaptor is used w/Northeast manufactured lock, Otis type A\*\*431AK.

(Continued on Next Page)

# Type AAA270CN Keyswitch Adaptors

**31-AAA270BM**

See page 11 for illustration

PART No.	W/FUNCTION	ENGRAVING	COLOR	TYPE
AAA270CN25	SES Phase I (NYC 1987) Active High w/LED	NORM FIRE SERV	Red	I
	SES Phase I (NYC 1987) Active High w/o LED			
	SES Phase I (NYC 1991) w/LED			
	SES Phase I (NYC 1991) w/o LED			
	SES Phase I Remote (NYC 1987) Active High w/LED			
	SES Phase I Remote (NYC 1987) Active High w/o LED			
	SES Phase I Remote (NYC 1991) w/LED			
	SES Phase I Remote (NYC 1991) w/o LED			
	SES Phase II (NYC 1987) Active High			
	SES Phase II (NYC pre 1987) Active High			
AAA270CN4	SES Phase I (NYC 1991)	NORM FIRE SERV	Black	I
	SES Phase I Remote (N.Y.C 1991)			
AAA270CN7	SES Phase II (Chicago)	OFF HOLD ON FIRE SERV	Black	I
AAA270CN32	SES Phase II (Chicago)	OFF ON FIRE SERV	Red	II
AAA270CN31	SES Phase II (MA)	OFF HOLD ON FIRE SERV	Red	I
	SES Phase II (MA) Active High			
AAA270CN12	SES Phase II (MA) (No Current Application)	NORMAL HOLD FIRE SERV	Black	II
AAA270CN38	SES Phase II (MA 2000) w/o LED	OFF HOLD ON FIRE OPERATION	Red	I
	SES Phase II (MA 2000) Active High w/o LED			
AAA270CN39	SES Phase II (NH 2000) w/o LED	OFF HOLD ON	Red	I
	SES Phase II MA (A17.1 2000) w/o LED			
AAA270CN10	SES Phase II (NYC 1991)	OFF ON FIRE SERV	Black	II
AAA270CN14	SES Phase II (NYC 1991)	OFF HOLD ON FIRE SERV	Black	II
AAA270CN26	SES Phase II (NYC 1991)	NORMAL HOLD FIRE SERV	Red	I
AAA270CN28	SES Phase II (NYC 1991)	NORMAL HOLD FIRE SERV	Red	II
AAA270CN33	SES Phase II (MA)	OFF HOLD ON FIRE SERV	Red	II

**NOTE:** Type AAA270CN engraved collar adapter is used w/Northeast manufactured lock, Otis type A\*\*431AK.