

10.4 in. LCD Display

Spare Parts Leaflet

31-AAA29501R

February 19, 2014 / Page 1 of 12

31 | A - AAA29501R



OTIS

SERVICE ENGINEERING
Otis Elevator Company
Bloomfield, Connecticut USA

Unpublished Work—© Otis Elevator Co.; 2014

Leaflet Description

This leaflet provides information for replacement of all obsolete ELD type displays. Some of these are direct replacements and others have added features for new equipment installations. These also have the ability to add custom features that were not available in the ELD displays.

Leaflet Revisions

Date Revised	Subject Matter Expert	Reason for Revision
April 17, 2013	Joseph Zych	New SPL
February 19, 2014	Joseph Zych	Updated p. 7; Added p. 11

Related Drawings

Drawing No.	Title	Drawing No.	Title
AAA29501R	10.4 in. LCD Display Assembly		

Related Documents

Document ID	Title
TIP 4.9-1	<i>LCD User Guide</i>
TIP 4.7-9	<i>Electroluminescent Display (ELD) Obsolescence</i>

Subject Matter Expert

Name	Department
Joseph Zych	OSC Service Engineering

About Spare Parts Leaflets...

This document lists the lowest replaceable units (LRUs) for the standard version of the product. The LRUs are chosen by a team of Otis associates representing engineering and manufacturing.

While goal of this document is to make parts identification as easy as possible, the document cannot be all-inclusive. Elevator and escalator contracts classified as “special” or “custom” are not addressed here. For such contracts, please refer to specified information, the contract folder, TIPs, Field Education Articles, Construction Letters, etc. for further information.

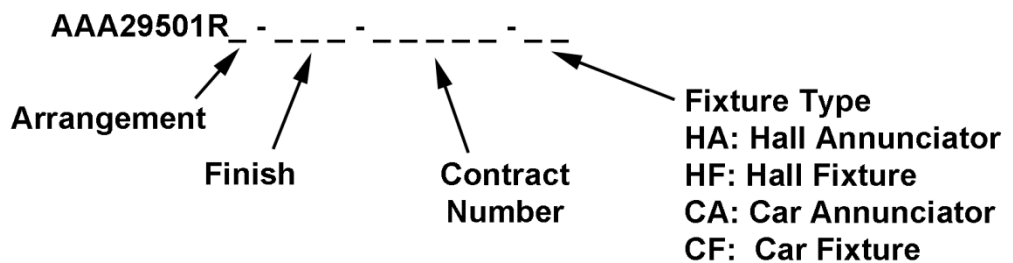
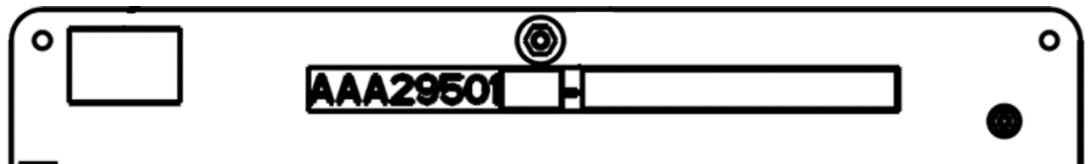
If you have any suggestions about this document, please contact the subject matter expert listed on this page.

Parts Identification Instructions

31-AAA29501R

Part Identification

As shown below, assemblies are marked with a part number that indicates the type of display. Custom units are additionally marked with a contract or machine number. All annunciators are marked with contract or machine number.




Faceplate Finishes

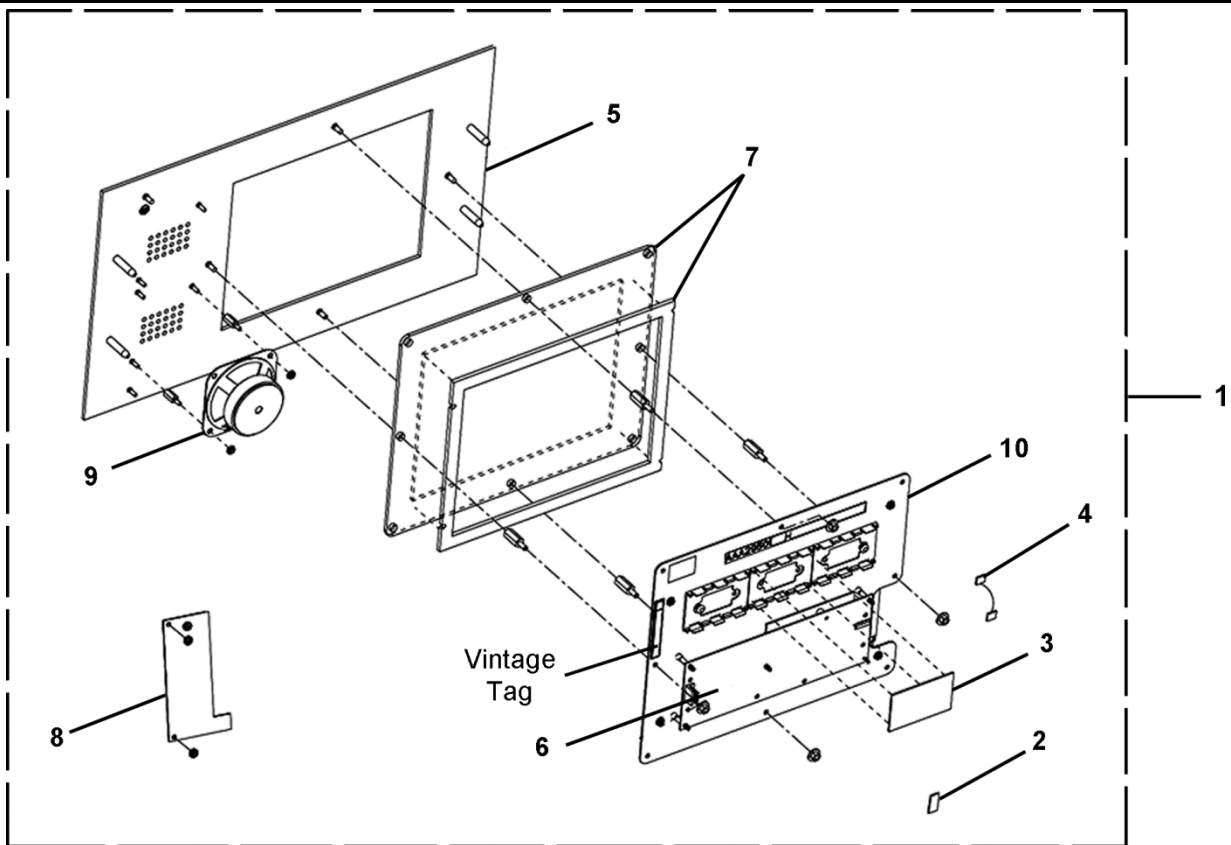
Faceplates come in different finishes which must be specified when ordering. To complete a faceplate part number, append the finish code to the part number listed.

Example: AAA147SY27-SS4 for a brushed stainless steel faceplate.

Finish Code	Finish
SS4	Brushed Stainless Steel
SS8	Mirror Stainless Steel Otis #4
BR7	Brushed Bronze
BR8	Mirror Bronze
MF4	Brushed Stainless Steel Commercial Finish
BT	Gold Satin



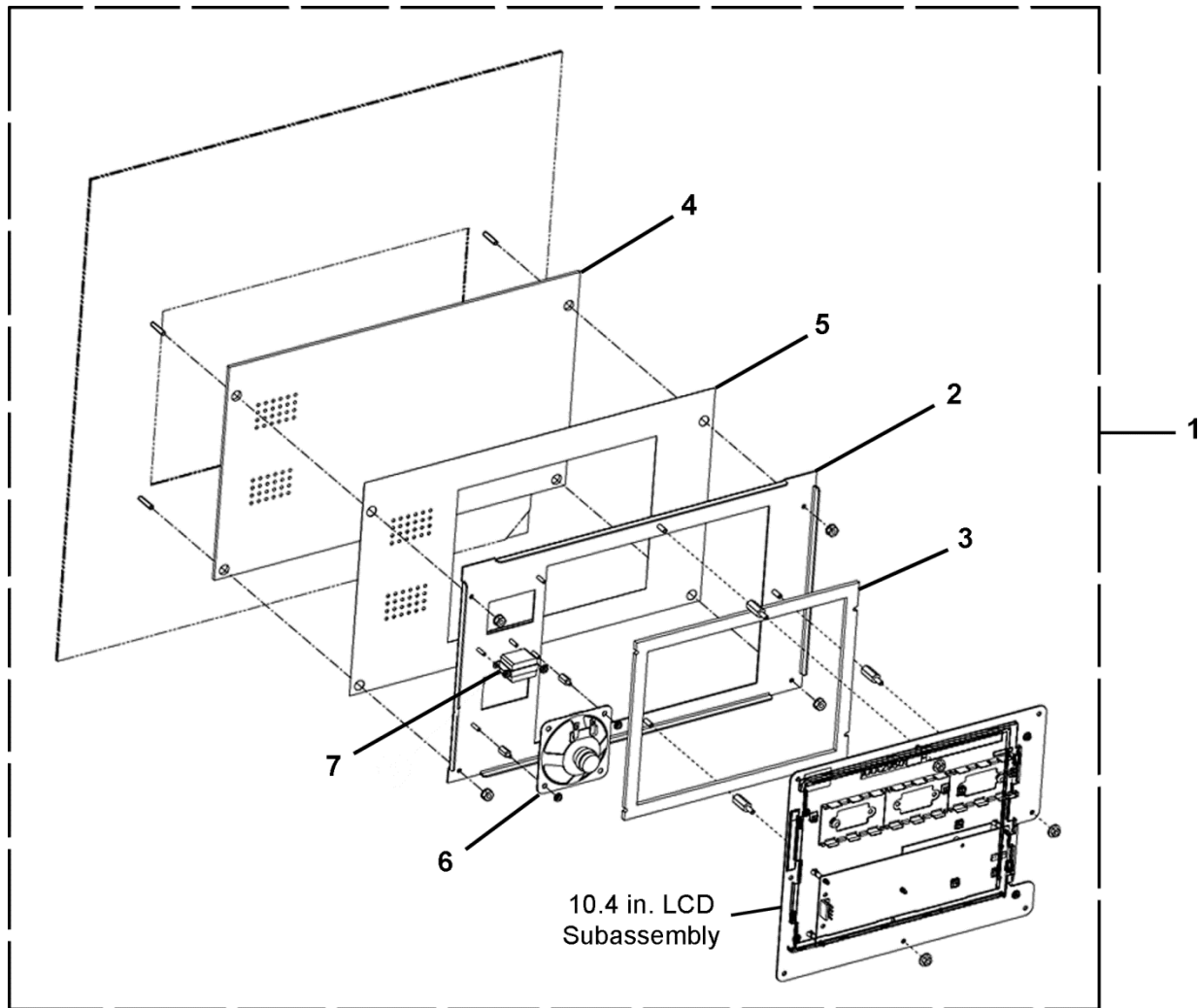
 PAGE	ASSEMBLY	DESCRIPTION	APPLICATION
5	AAA29501R1-__	With Gong (w/o ICA)	Hall ELD Replacement
	AAA29501R2-__	With Gong and ICA	
	AAA29501R3-__	With Gong (w/o ICA), With Wall Box	New Hall Installation
	AAA29501R4-__	With Gong and ICA, With Wall Box	
7	AAA29501R5-__	With Annunciator, With Wall Box	
6	AAA29501R6	Without Speech, With Intercom	COP ELD Replacement
	AAA29501R7	With Speech	
	AAA29501R8	Without Speech, Without Intercom	
8	AAA29501R9-__	Surface Mount Only	
8, 9	AAA29501R10	New COP Installation	AAA25000DW
10	AAA29501R11	Centered Display	COP ELD Replacement
11	AAA29501R12-__	With Side Lights	New Hall Installation
7	AAA29501R13-__	Hall PI With Wall Box	
12	AAA29501R14	Rotated or Vertical Display	COP ELD Replacement



AAA29501R		
REF. No.	PART No.	DESCRIPTION
1	AAA29501R1-	Assembly, 10.4 in. LCD, with Gong (w/o ICA)
	AAA29501R2-	Assembly, 10.4 in. LCD, with Gong and ICA
	AAA29501R3-	Assembly, 10.4 in. LCD, with Gong (w/o ICA) with Wall Box
	AAA29501R4-	Assembly, 10.4 in. LCD, with Gong and ICA, w/ Wall Box
2	AAA639EC1	Card, Memory, microSD Flash (Programmed)
	AAA616RG3	Card, Memory, microSD Flash (Blank)
3	AAA26800AVJ1	Chime, Interface Board ICA
4	AAA174APX1	Chime, Interface Cable ICA
5	AAA147SY4-__	Faceplate, p. 3 for Parts Identification Instructions
6	AAA375BM6	Fuse, 3/4 Amp, PICO
7	AAA443FT7	Lens, w/ Gasket
8	AAA26800SM1	PCB, ICA Tone Generator
9	AAA23850A1	Speaker (Gong, ICA)
10	AAA29501R10	Subassembly, 10.4 in. LCD. Includes: LCD Display, LCD Driver Board, Panel, LCD Cables, and microSD Card. NOTES 1 and 2 and p. 3 for parts identification instructions.

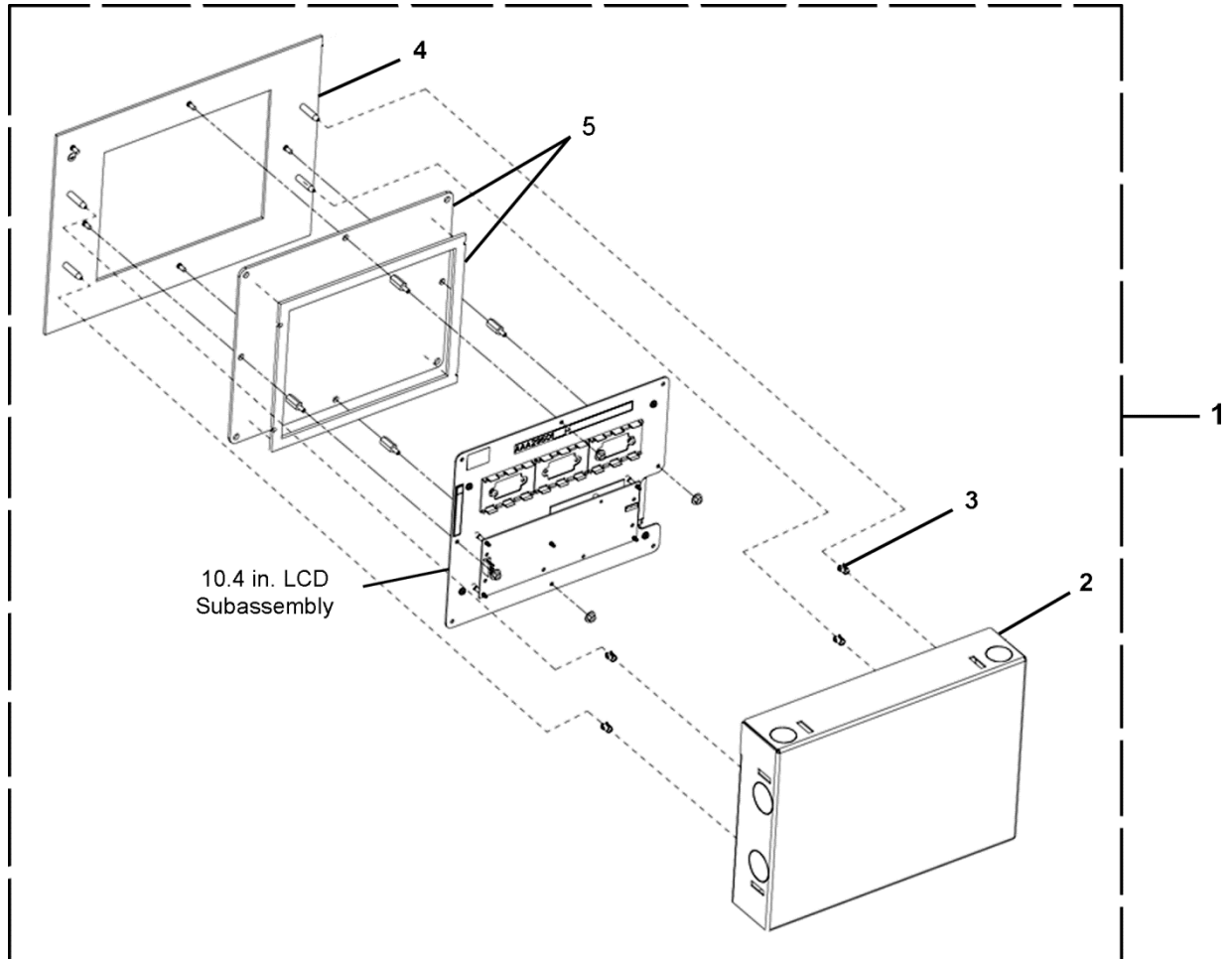
NOTE 1: Assembly is shipped with default software and configured as a car fixture.


NOTE 2: If replacing a custom display (or an annunciator,) provide the contract or machine number from back of unit when ordering ref. 10.



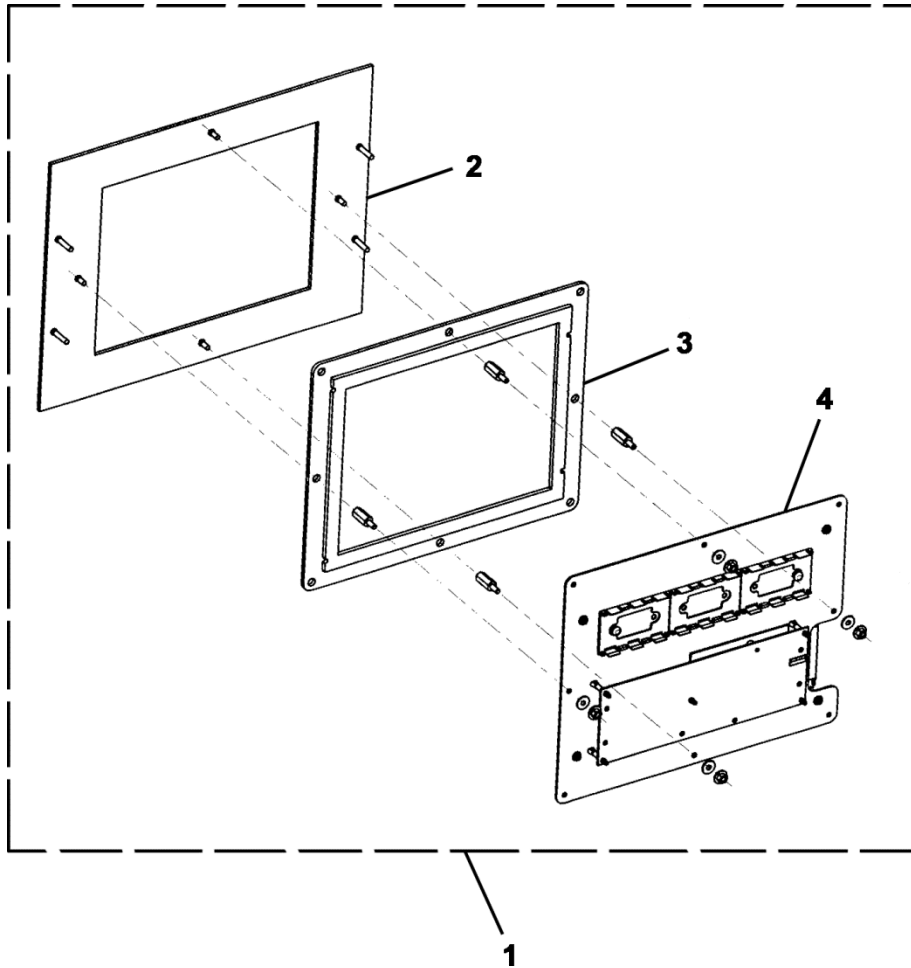
AAA29501R		
REF. No.	PART No.	DESCRIPTION
1	AAA29501R6	Assembly, 10.4 in. LCD, w/o Speech, w/ Intercom
	AAA29501R7	Assembly, 10.4 in. LCD, w/ Speech Only
	AAA29501R8	Assembly, 10.4 in. LCD, w/o Speech or Intercom
2	AAA316HXV5	Bracket
3	AAA376HL4	Gasket, Dust
4	AAA443FT4	Lens
5	AAA449CC1	Mask
6	7069AL7	Speaker, Use w/ Ref. 7
	7069AL8	Speaker, Use w/o Ref. 7
7	609D1	Transformer


**LCD Displays, Hall Annunciator
or Position Indicator**



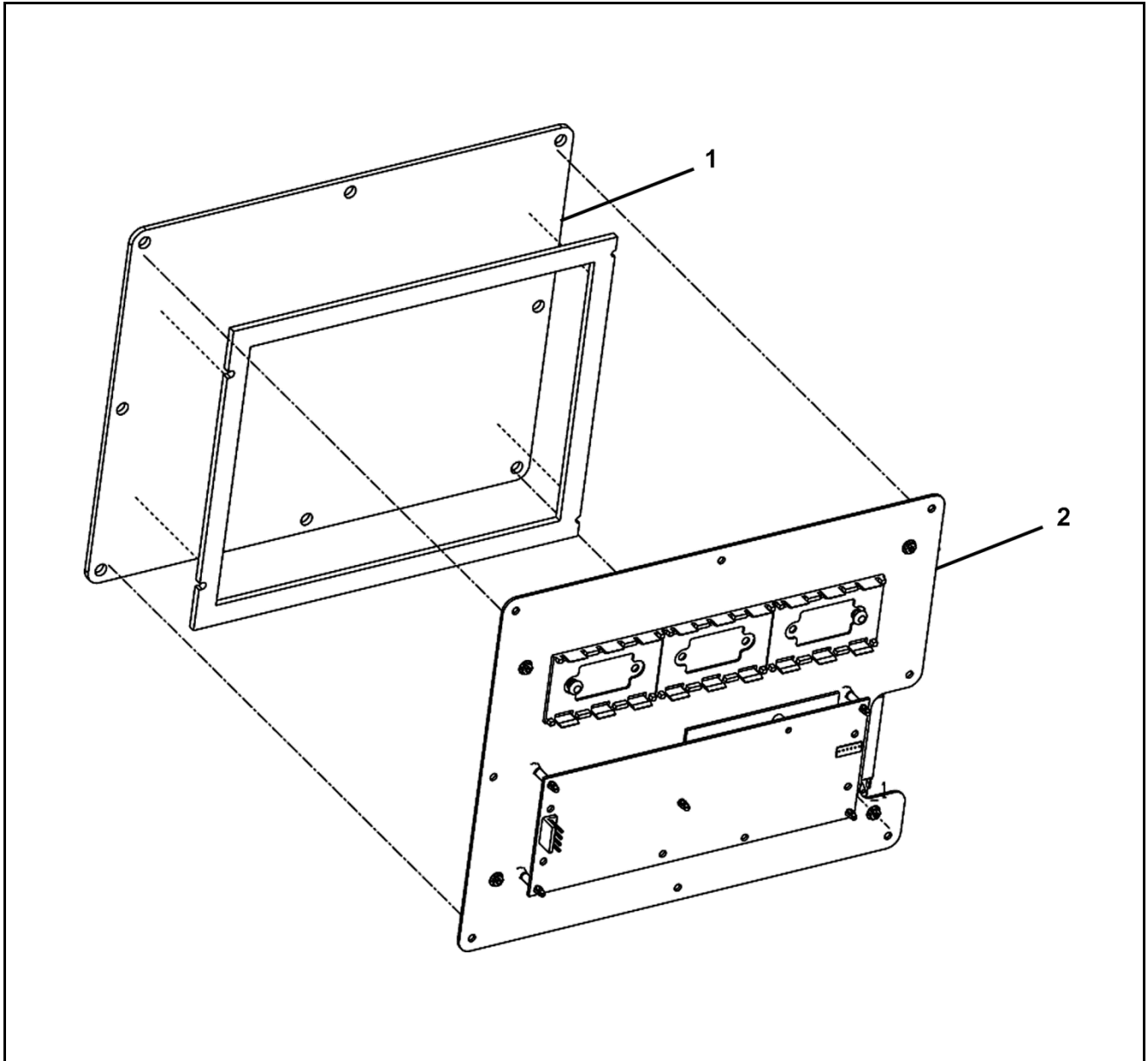
AAA29501R		
REF. No.	PART No.	DESCRIPTION
1	AAA29501R5-__	Assembly, 10.4 in. LCD, Annunciator w/ Wall Box
	AAA29501R13-__	Assembly, 10.4 in. LCD, Hall PI w/ Wall Box
2	AAA00308AAD003	Box, Wall
3	AAA339QH1	Clip, Tubular
4	AAA147SY19-__	Faceplate,  p. 3 for part number completion information
5	AAA443FT7	Lens, w/ Gasket Installed

Application for COPs



REF. No.	PART No.	DESCRIPTION
1	AAA29501R9-__	Assembly, 10.4 in. LCD, COP Surface Mount Only
2	AAA147SY16-___	Faceplate,  p. 3 for part number completion information
3	AAA443FT7	Lens
4	AAA29501R10	Subassembly, 10.4 in. LCD

NOTE: Use template AAA27JB1 to install.



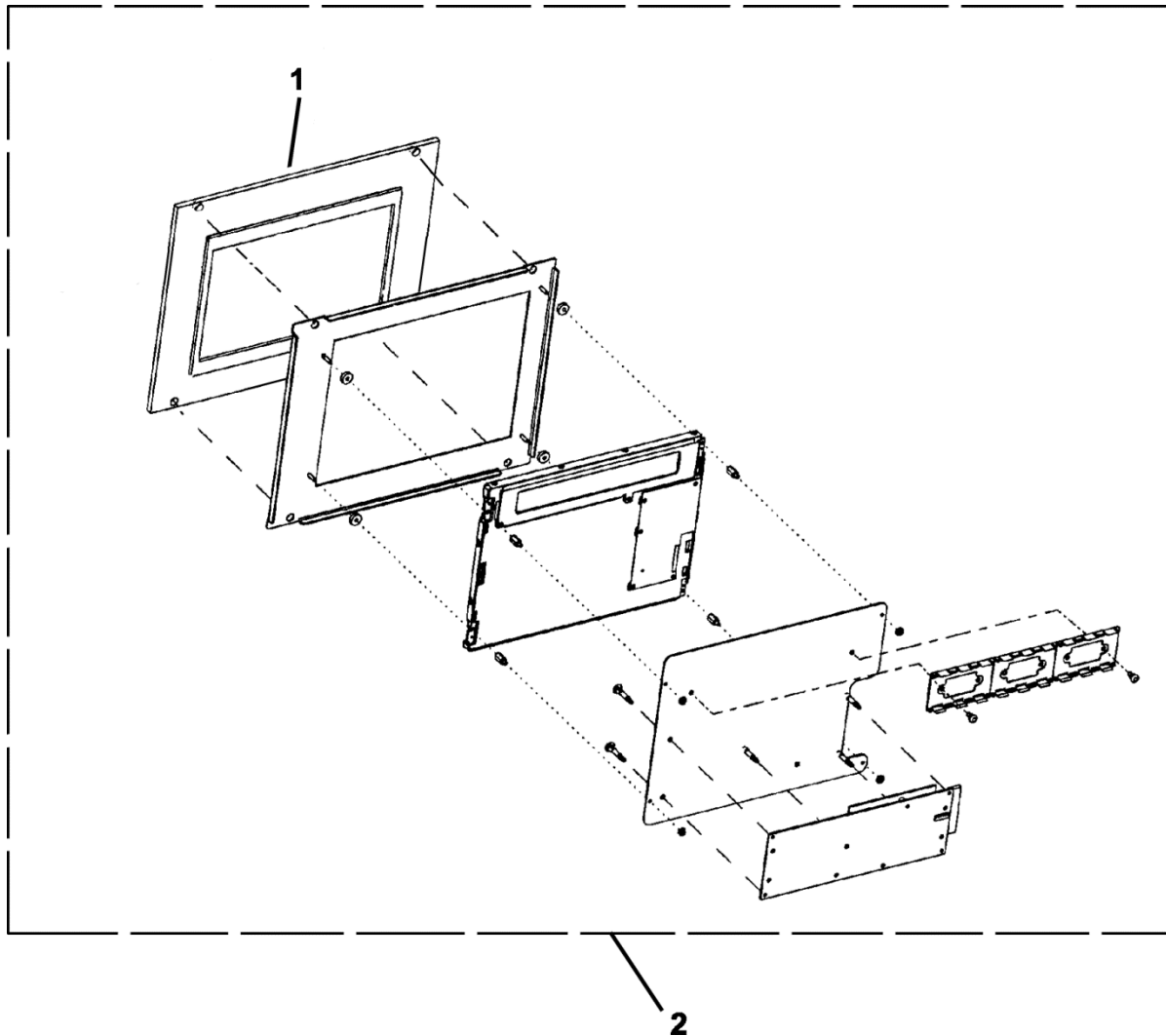
AAA29501R		
REF. No.	PART No.	DESCRIPTION
1	AAA443FT7	Lens, w/ Gasket Installed
2	AAA29501R10	Subassembly, 10.4 in. LCD. Includes: LCD Display, LCD Driver Board, Panel, LCD Cables, and microSD Card. NOTES 1 and 2 and p. 3 for parts identification instructions.


NOTE 1: Assembly is shipped with default software and configured as a car fixture.

NOTE 2: If replacing a custom display, provide the contract or machine number from back of unit when ordering item 2.

LCD Display, Centered Display for COP ELD Replacement

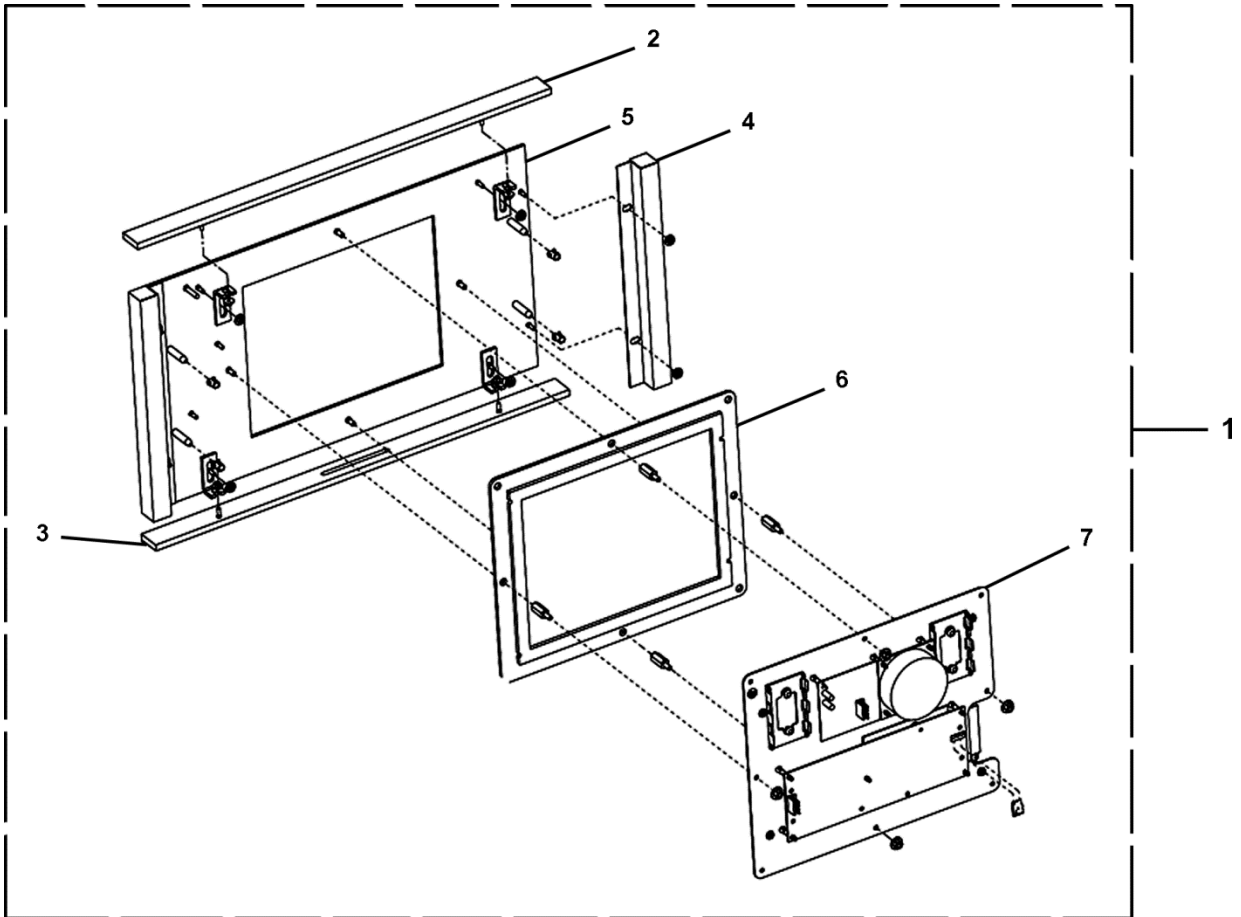
31-AAA29501R





REF. No.	PART No.	DESCRIPTION
1	AAA449BT11	Lens + Add (2) Gaskets p/n AAA376HL5
2	AAA29501R11	Subassembly, 10.4 in. LCD. Includes: Bracket, LCD Display, LCD Drive Board, Panel, LCD Cables, microSD Card.  NOTES 1 and 2 and p. 3 for parts identification instructions.

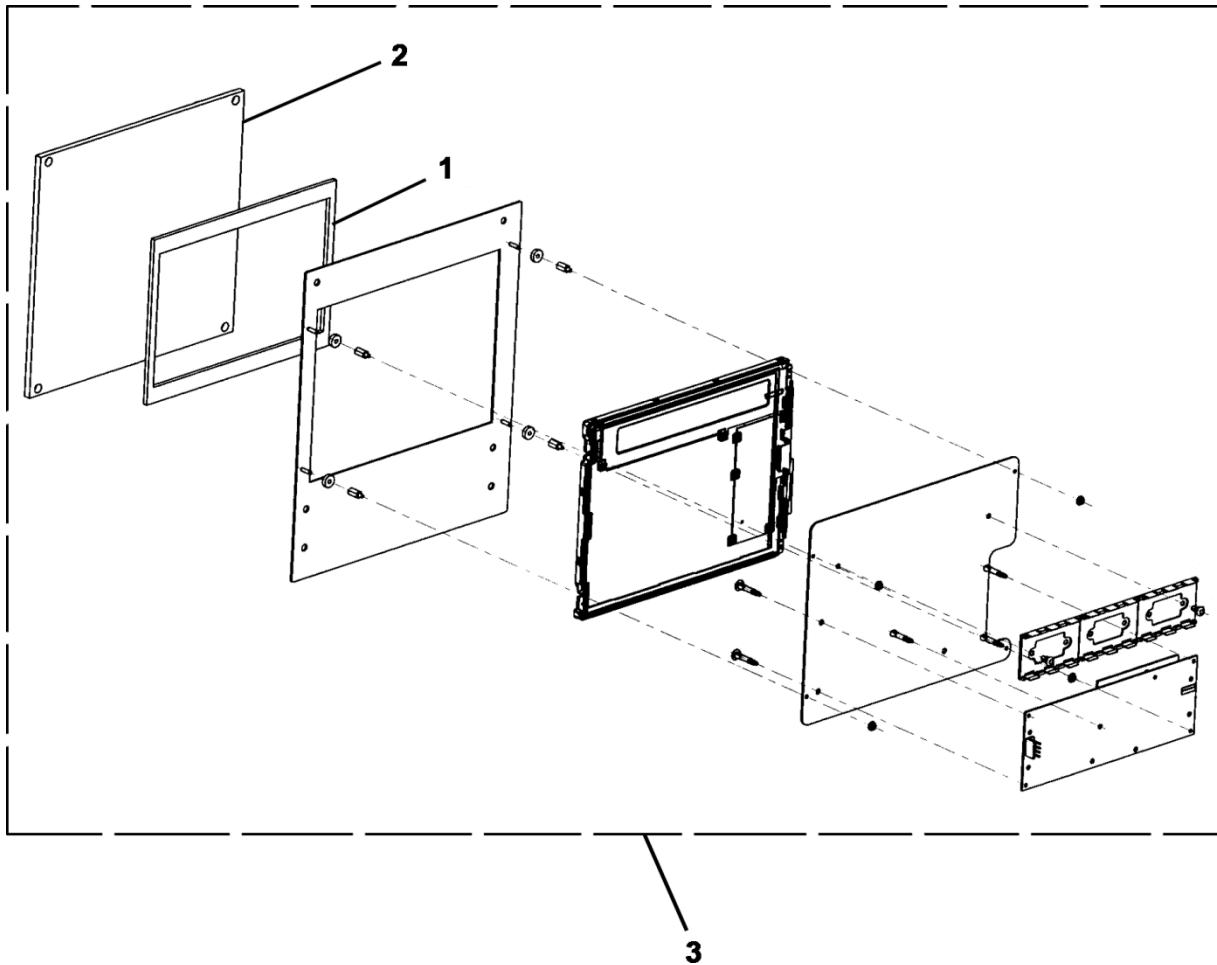
NOTE 1: Assembly is shipped with default software and configured as a car fixture.


NOTE 2: If replacing a custom display, provide the contract or machine number from back of unit when ordering item 2.



AAA29501R		
REF. No.	PART No.	DESCRIPTION
1	AAA29501R12-__	Assembly, 10.4 in. LCD, w/ Side Lights (contract specific)
2	AAA316JDS1	Bracket, Trim Piece Top
3	AAA316JDS3	Bracket, Trim Piece Bottom
4	AAA629BH1	Device, OPTO, White LED
5	AAA147SY27-___	Faceplate,  p. 3 for part number completion information
6	AAA443FT7	Lens, w/ Gasket Installed
7	AAA29501R101	Subassembly, 10.4 in. LCD (Contract Number & Programming Required)  NOTE and p. 3 for parts identification information.

NOTE: Contract number and programming required.



AAA29501R		
REF. No.	PART No.	DESCRIPTION
1	AAA376HL5	Gasket, Dust
2	AAA449BT12	Lens
3	AAA29501R14	Subassembly, 10.4 in. LCD. Includes: Bracket, LCD Display, LCD Drive Board, Panel, LCD Cables, microSD Card.  NOTES 1 and 2 and p. 3 for parts identification instructions.

NOTE 1: Assembly is shipped with default software and configured as a car fixture.

NOTE 2: If replacing a custom display, provide the contract or machine number from back of unit when ordering item 2.