

6.2 in. LCD Jamb Annunciator Device

Spare Parts Leaflet

31-AAA29501T

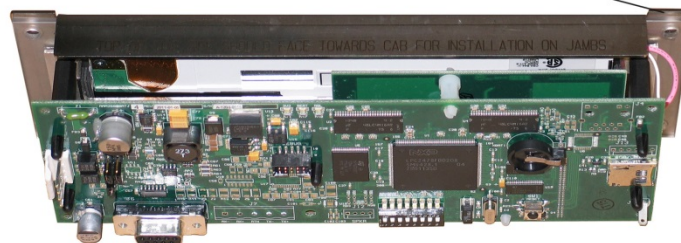
March 11, 2015 / Page 1 of 5



Annunciator
(display is always vertical)

31 R - ABA29501T

31 R - AAA29501T



Flat Jamb Annunciator Shown



SERVICE ENGINEERING
Otis Elevator Company
Bloomfield, Connecticut USA

Unpublished Work—© Otis Elevator Co.; 2015

Leaflet Description

This SPL describes the lowest replaceable units (LRUs) for type AAA29501T 6.2 in. LCD Jamb Annunciator.

Leaflet Revisions

Date Revised	Subject Matter Expert	Reason for Revision
August 15, 2012	Joseph Zych	New SPL
June 19, 2013	Joseph Zych	Corrected ref. 1 on p. 3
December 10, 2014	Joseph Zych	Removed p. 4
March 4, 2015	Joseph Zych	Drawing ABA29501T released; faceplate AAA147ST5 added.
March 11, 2015	Joseph Zych	Corrected p/n from AAA176AHZ5 to AAA174AHZ5 on p. 5

Related Drawings

Drawing No.	Title
ABA29501T	Human Interface Device Assembly, 6.2 Jamb Annunciator

Related Documents

Document ID	Title
TIP 4.9-1	LCD Fixture User Guide

Subject Matter Expert

Name	Department
Joseph Zych	OSC Service Engineering

About Spare Parts Leaflets...

This document lists the lowest replaceable units (LRUs) for the standard version of the product. The LRUs are chosen by a team of Otis associates representing engineering and manufacturing.

While goal of this document is to make parts identification as easy as possible, the document cannot be all-inclusive. Elevator and escalator contracts classified as “special” or “custom” are not addressed here. For such contracts, please refer to specified information, the contract folder, TIPs, Field Education Articles, Construction Letters, etc. for further information.

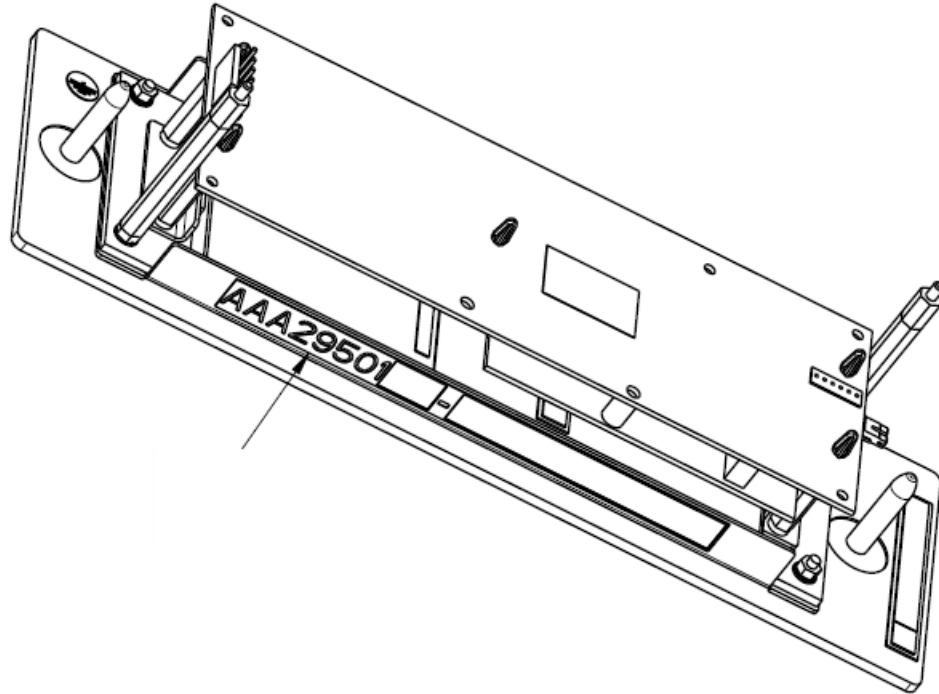
If you have any suggestions about this document, please contact the subject matter expert listed on this page.

Part Identification Instructions

31-AAA29501T

As shown below, annunciators are marked with a part number that indicates specific programming (e.g., floor tables, colors, etc.) required for each assembly. The suffix of the part number is typically marked with the Compass group machine number, but in some cases may be marked with a car machine number or even a specific contract number. **The entire part number must be given to customer service when ordering replacements.** Additionally, some units may be programmed as either a left or right unit and **the orientation must also be provided when ordering.**

NOTE: All AAA29501T vintage parts are marked left or right.

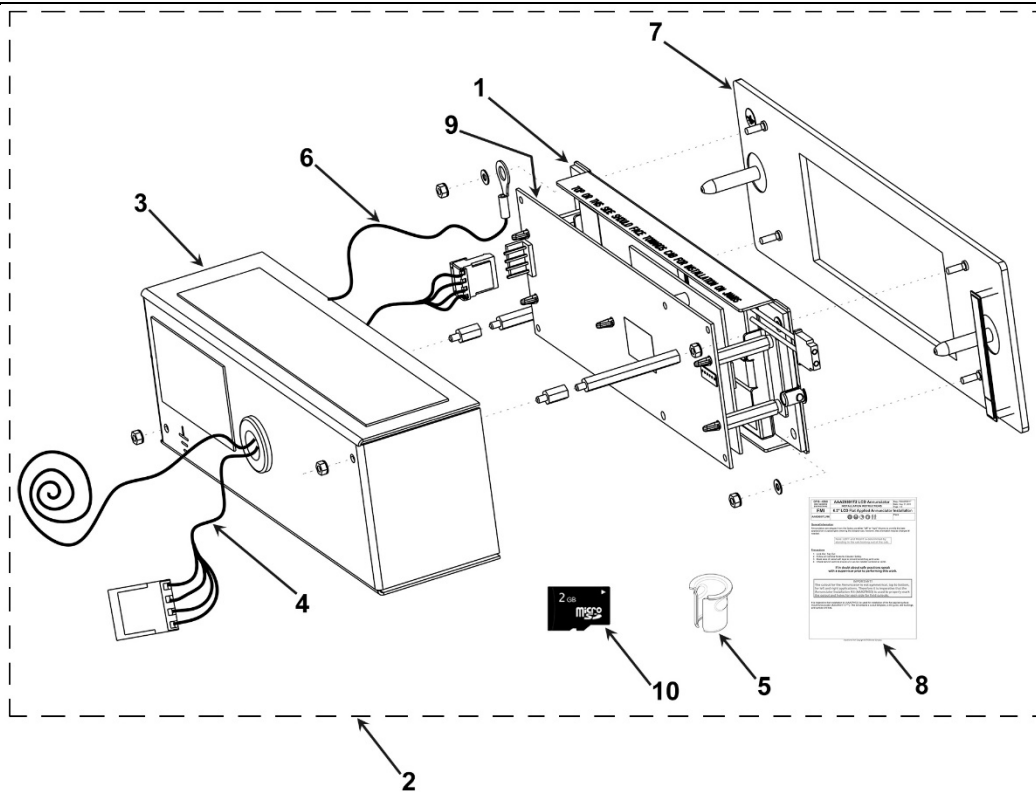


When ordering, please specify the complete part number as shown here.

P/N Base	P/N Suffix	Faceplate Finish	Contract/ Machine No.	Left/Right
ABA29501	T2 T3 T999	SS4 = Brushed Stainless Steel SS8 = Mirror Stainless Steel BR7 = Brushed Bronze BR8 = Mirror Bronze MF4 = Commercial Brushed Stainless Steel BT = Gold Satin	- (as marked on label)	- (as marked on label)
	T997	(not applicable; no faceplate)		

Complete Part Number Examples:

- AAA29501T2-BT-123456-LEFT
- AAA29501T2-SS4-123456-BANK2-RIGHT
- AAA29501T999-BR7-123456
- AAA29501T997-123456



REF. No.	PART No.	DESCRIPTION
1	ABA29501T997-***	Assembly, 6.2 in. LCD, Contract-specific, Behind-jamb (See NOTES 1, 2 and 3)
2	ABA29501T2-*** ABA29501T3-*** ABA29501T999-***	Assembly, 6.2 in. LCD, Contract-specific w/ Faceplate (See NOTES 1, 2 and 3)
3	AAA313DM7	Box, Wall
4	AAA174AVF3	Cable harness
5	AAA339QH1	Clip, Tubular (Qty. = 2 per ref. 2)
6	AAA00175AAB042 AAA174AHY7	Conductor, Ground
7	AAA147ST3-*** AAA147ST5-***	Faceplate. Used w/ABA29501T2 or ABA29501T999. See NOTE 2. Faceplate. Used w/ABA29501T3 only. See NOTE 2.
8	ABA29501T_FMI	Field Micro Instructions
9	AAA375BM6	Fuse, LCD Driver Board
10	AAA639EC1 AAA616RG3	Secure Digital Memory Card (microSD). Programmed w/sample backgrounds, fonts, and default images. Secure Digital Memory Card (microSD), Blank (unprogrammed)

NOTE 1: When replacing an annunciator, provide the contract or machine number from the label on the unit when ordering.

NOTE 2: See page 3 for parts identification instructions and material finishes.

NOTE 3: For non-service replacement parts, references 1 and 2 should be ordered through mod or open order.

Miscellaneous Spare Parts

31-AAA29501T

AAA29501T ABA29501T		
REF. No.	PART No.	DESCRIPTION
*	AAA00026AAM003	Grounding Kit
*	AAA639ED1	Media Reader (USB card reader for microSD card)
*	AAA174AHZ5	RSL Extension Harness, 6 ft.
	AAA174AVF6	RSL Extension Cable, 5 ft., one end un-terminated

* Part Not Shown