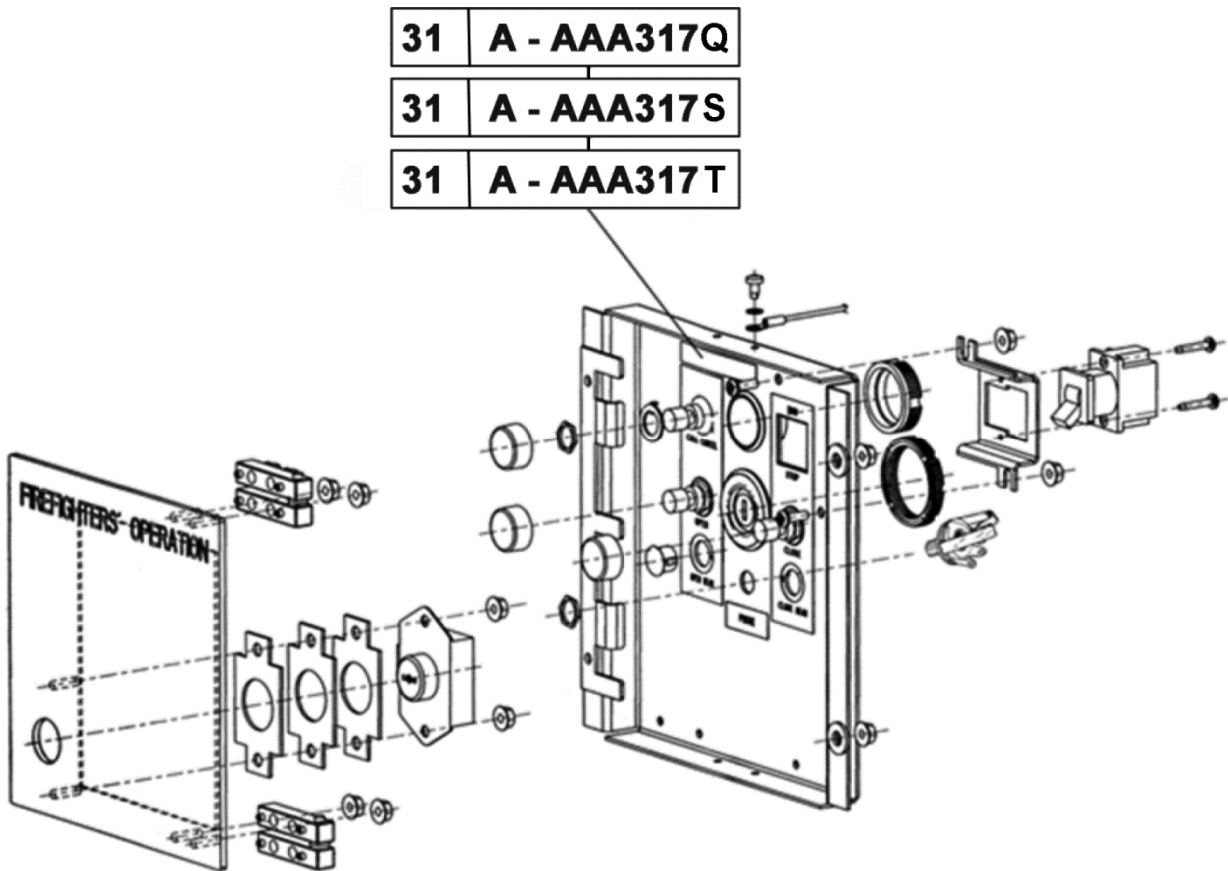


Firefighter's Cabinet and Compass® Cabinet

Spare Parts Leaflet

31-AAA317Q

December 18, 2019 / Page 1 of 8



OTIS

This document does not contain any
technical data subject to EAR or ITAR

SERVICE ENGINEERING

Otis Elevator Company

Bloomfield, Connecticut USA

Unpublished Work—© Otis Elevator Co.; 2019

Leaflet Description

This leaflet provides spare parts information for type AAA317Q Firefighter's Cabinet and type AAA317S Compass® Cabinet for New Equipment COPs.

Leaflet Revisions

Date Revised	Subject Matter Expert	Reason for Revision
February 22, 2017	Joseph Zych and Scott Phillippi	New leaflet
January 17, 2018	Joseph Zych and Scott Phillippi	Added AAA317T to related drawings; Inserted p. 6 for AAA317T cabinet assembly; Added p. 8 for AAA317T specific labels
December 18, 2019	Joseph Zych and Solomon Wanyonyi	Added p/n AAA310SX9

Related Drawings

Drawing No.	Title	Drawing No.	Title
AAA317Q	Firefighter's Cabinet	AAA102ANE	Label, Fire Panel
AAA317S	Compass Cabinet	AAA29501AD	CE Electronics
AAA317T	Firefighter's Cabinet		

Related Documents

Document ID	Title
SPL 32-AAA23851A	Keyswitch (Series 5 Fixture)
SPL 31-6599F	Phone Jack Assembly
SPL 31-AAA340CV	Collar Adaptor Keyswitch and Jewel (French Markings Only)
SPL 31-AAA25000EN	Car Operating Panel, Swing
SPL 31-AAA25000EH	Car Operating Panel, Applied
SPL 31-AAA25000EZ	Car Operating Panel, Touch and Compass
SPL 31-AAA406CP	Door, Firefighters' Operating Panel and Compass

Subject Matter Expert

Name	Department
Joseph Zych	OSC Service Engineering

About Spare Parts Leaflets...

This document lists the lowest replaceable units (LRUs) for the standard version of the product. The LRUs are chosen by a team of Otis associates representing engineering and manufacturing.

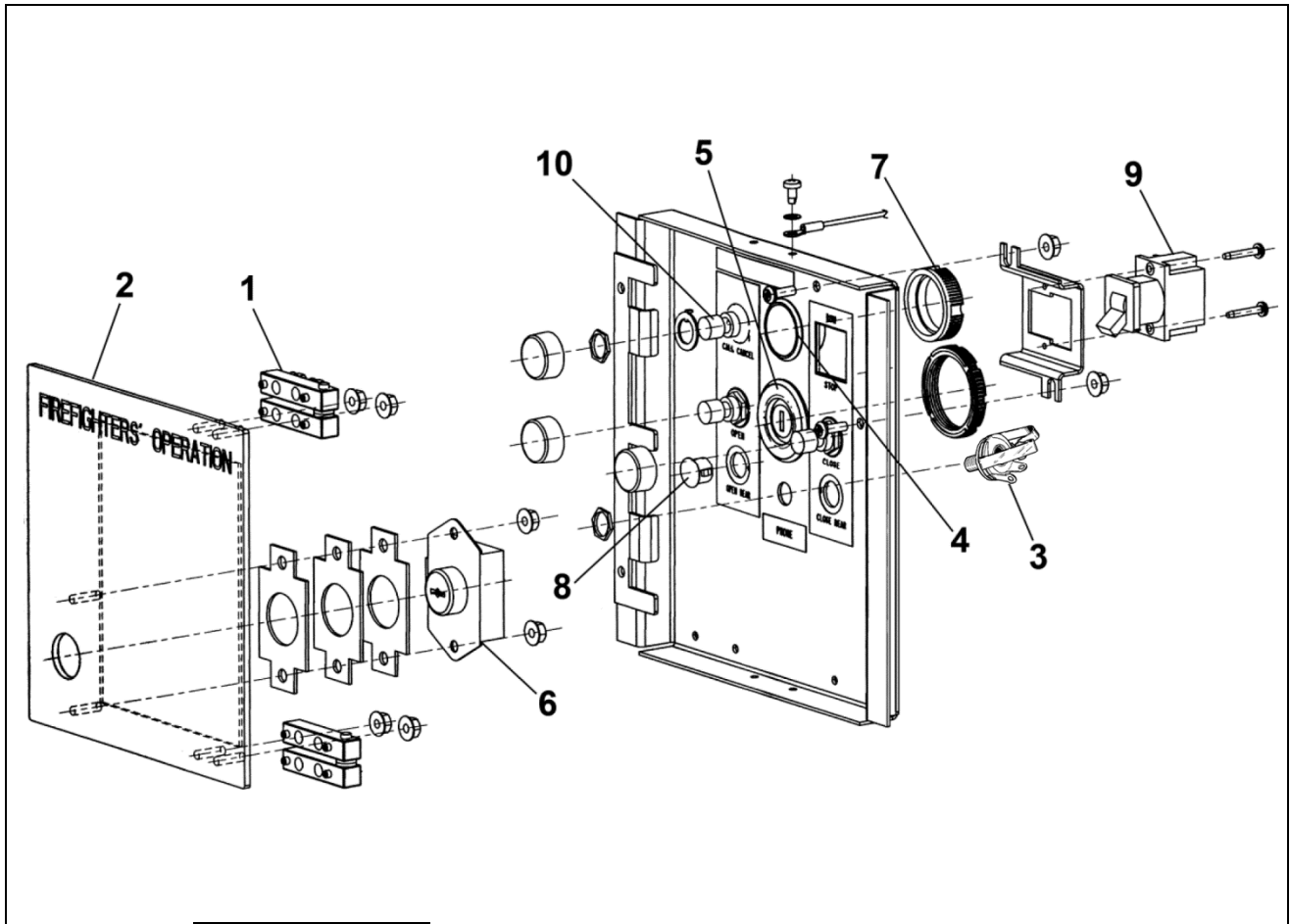
While goal of this document is to make parts identification as easy as possible, the document cannot be all-inclusive. Elevator and escalator contracts classified as "special" or "custom" are not addressed here. For such contracts, please refer to specified information, the contract folder, TIPs, Field Education Articles, Construction Letters, etc. for further information.

If you have any suggestions about this document, please contact the subject matter expert listed on this page.

SES Keyswitch and Door Latch Lock

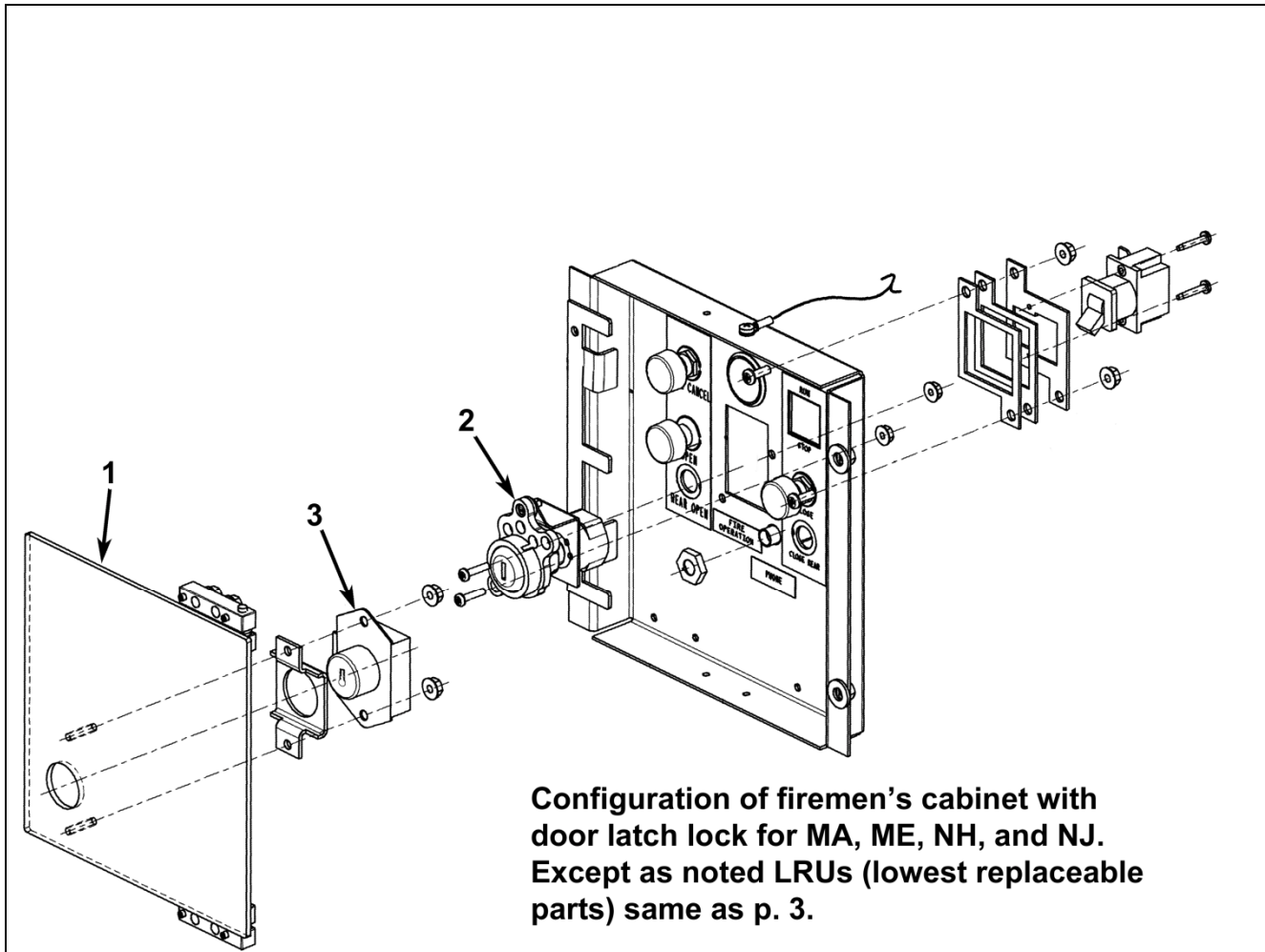
31-AAA317Q

(not for MA, ME, NH, NJ Codes)



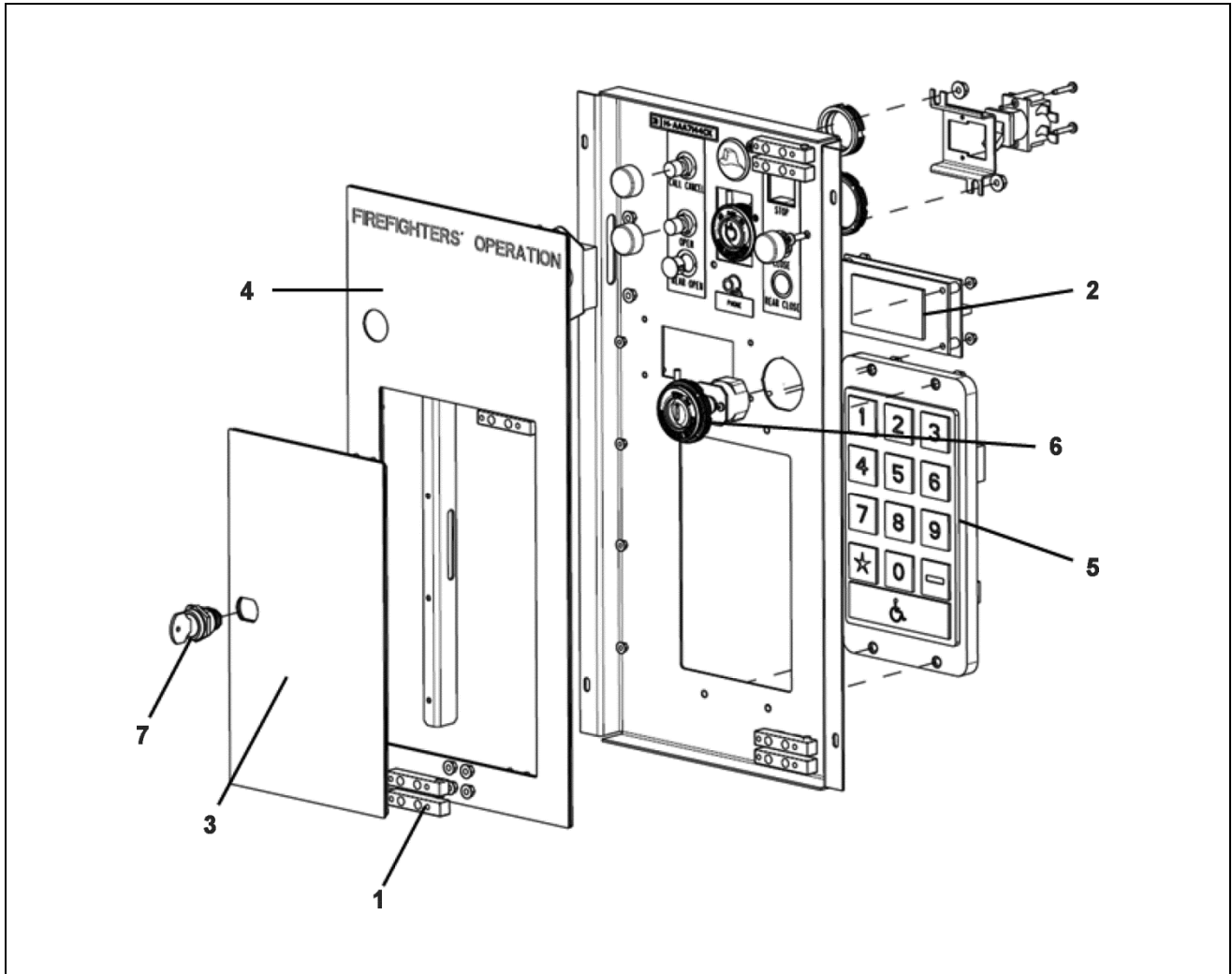
REF. No.	PART No.	DESCRIPTION
	AAA317Q AAA317S	
1	AAA310SX4 AAA310SX9	Block, Hinge
2	---	Door, Type AAA406CP, Contract Specific SPL 31-AAA406CP
3	6599F5	Jack, Phone. w/Insulating Bushing (3-conductor), SPL 31-6599F
4	AAA23500AL11	Jewel, Fire Hat
5	---	Keyswitch, Type AAA23851A, SPL 32-AAA23851A
6	---	Lock, Door Latch, SPL 31-AAA431AQ
7	FAA72N1	Nut, Fixing
8	V444BH1	Plug, Hole
9	6073F1	Run, Stop Switch
10	AAA635L3	Switch, Pushbutton, 3 A, 250 VAC; or 6 AMP, 125 VAC; or 0.75 AMP, 125 VDC

**SES Keyswitch and Door Latch Lock
(for MA, ME, NH, NJ Codes)**



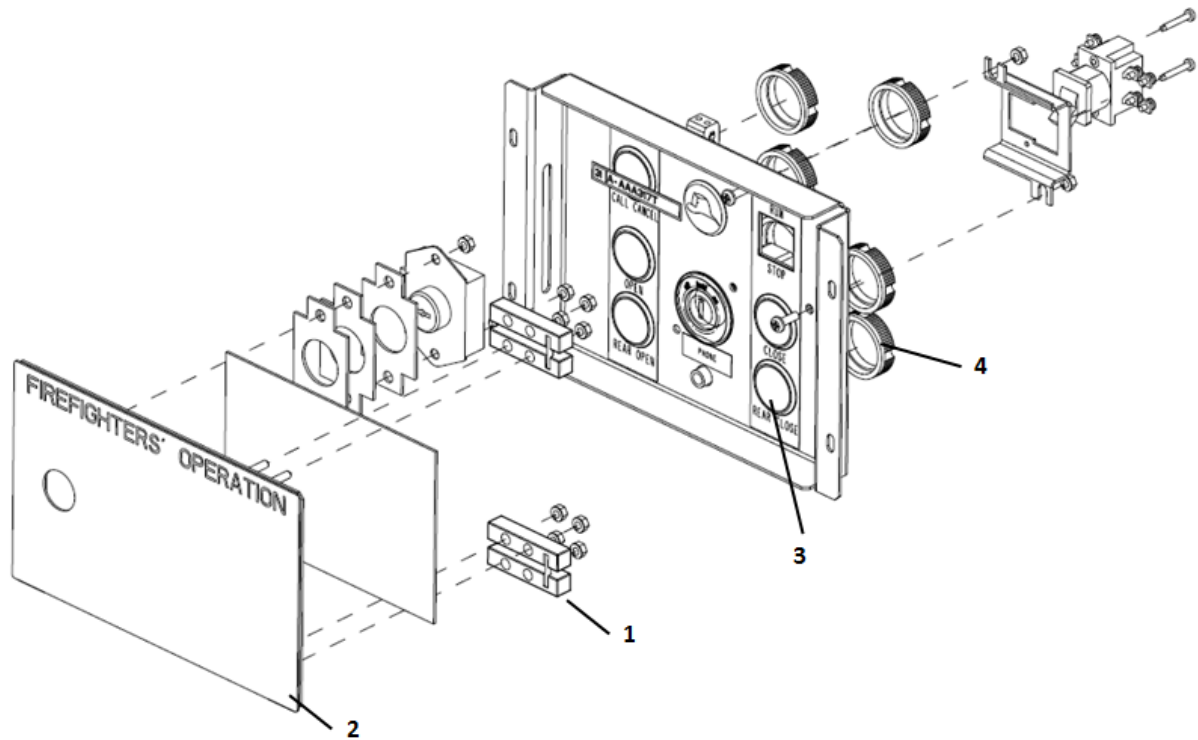
Configuration of firemen's cabinet with door latch lock for MA, ME, NH, and NJ. Except as noted LRUs (lowest replaceable parts) same as p. 3.


REF. No.	PART No.	DESCRIPTION
1	---	Door, Type AAA406CP, Contract Specific SPL 31-AAA406CP
2	---	Keyswitch, Firemen's SES Phase II, Type AAA23851A, SPL 32-AAA23851A (not shown)
	---	Keyswitch, Firemen's SES Phase II, Type AAA23500W, SPL 31-AAA23500F (shown)
3	---	Lock, Door Latch for MA, ME, NH, and NJ SPL 31-AAA431AQ



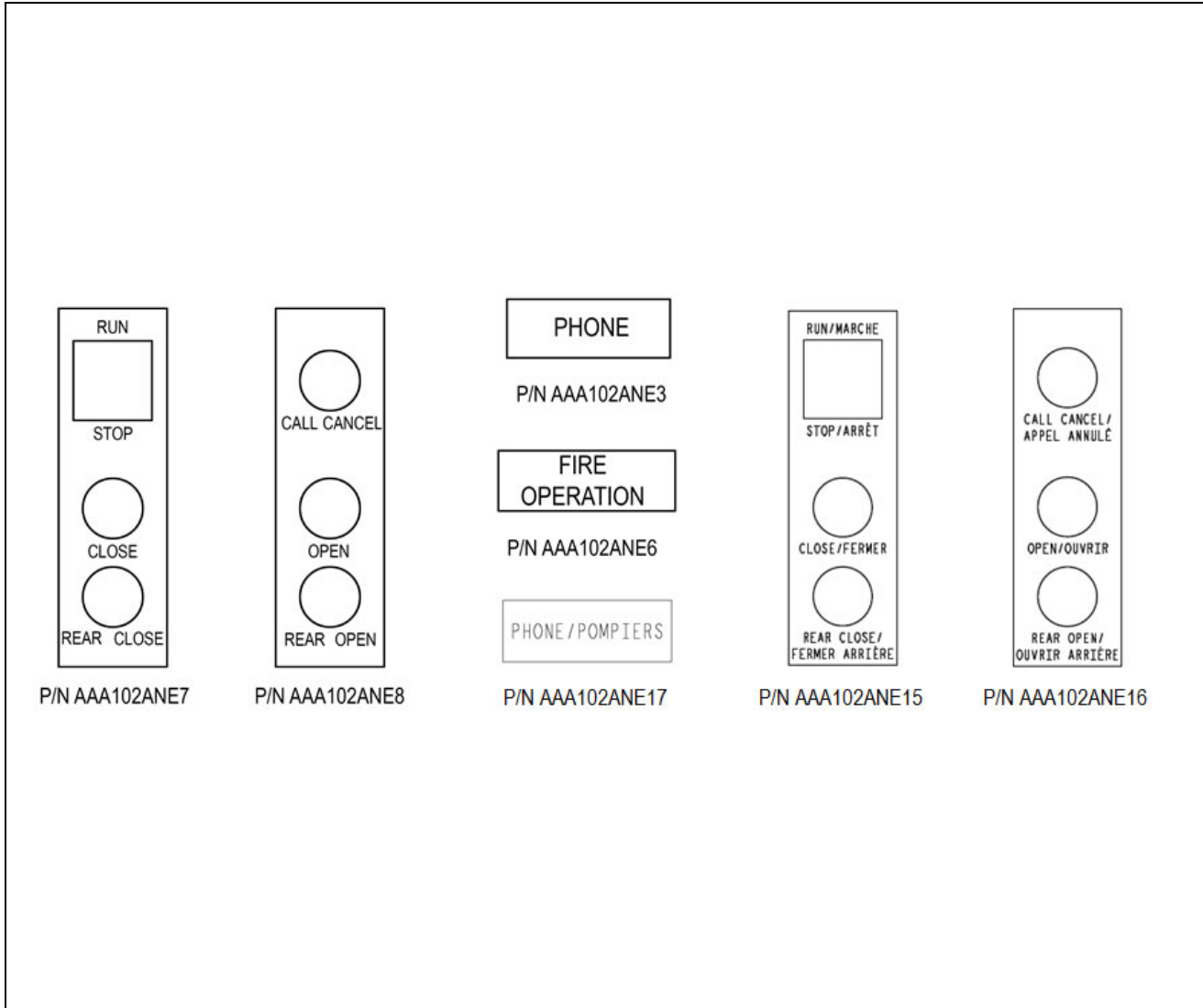
AAA317Q AAA317S		
REF. No.	PART No.	DESCRIPTION
1	AAA310SX4 AAA310SX9	Block, Hinge
2	AAA29501AD31	Display, Compass
3	AAA406CW999-__	Door, Compass Inner, Contract Specific, SPL 31-AAA406CP
4	---	Door, Type AAA403CY, Contract Specific, SPL 31-AAA406CP
5	AAA29501AD999	Keypad, Compass, Contract Specific Keys
6	---	Keyswitch, ISC, Type AAA23851A, SPL 32-AAA23851A
7	431Y3-DC	Lock

NOTE: Type AAA317S compass cabinet same as AAA317Q except where shown.



AAA317T		
REF. No.	PART No.	DESCRIPTION
1	AAA310SX9	Block, Hinge
2	---	Door, Type AAA406DA, Contract Specific,  SPL 31-AAA406CP
3	AAA23500CH2	Switch, Push Button
4	FAA72N1	Nut, For AAA23500CH Type Buttons

NOTE: Type AAA317T same as AAA317Q except where shown.



AAA317Q, AAA317S		
PART No.	DESCRIPTION	CODE
AAA102ANE3	Label, Phone	ASME A17.1-2004 / CSA B44-04 to Current
AAA102ANE6	Label, Fire Operation	
AAA102ANE7	Panel, RUN/STOP-CLOSE-REAR CLOSE	ASME A17 1a-2008 / CSA B44-08 and Later
AAA102ANE8	Label, CALL CANCEL-OPEN-REAR OPEN	
AAA102ANE15	Panel, French RUN/STOP-CLOSE-REAR CLOSE	ASME A17.1-2004 / CSA B44-04 to Current
AAA102ANE16	Label, French CALL CANCEL-OPEN-REAR OPEN	
AAA102ANE17	Label, French Phone	



P/N AAA102ANE19



P/N AAA102ANE20



P/N AAA102ANE21



P/N AAA102ANE22

AAA317T		
PART No.	DESCRIPTION	CODE
AAA102ANE19	Panel, RUN/STOP-CLOSE-REAR CLOSE	ASME A17 1a-2008 / CSA B44-08 and Later
AAA102ANE20	Label, CALL CANCEL-OPEN-REAR OPEN	
AAA102ANE21	Panel, French RUN/STOP-CLOSE-REAR CLOSE	ASME A17.1-2004 / CSA B44-04 to Current
AAA102ANE22	Label, French CALL CANCEL-OPEN-REAR OPEN	