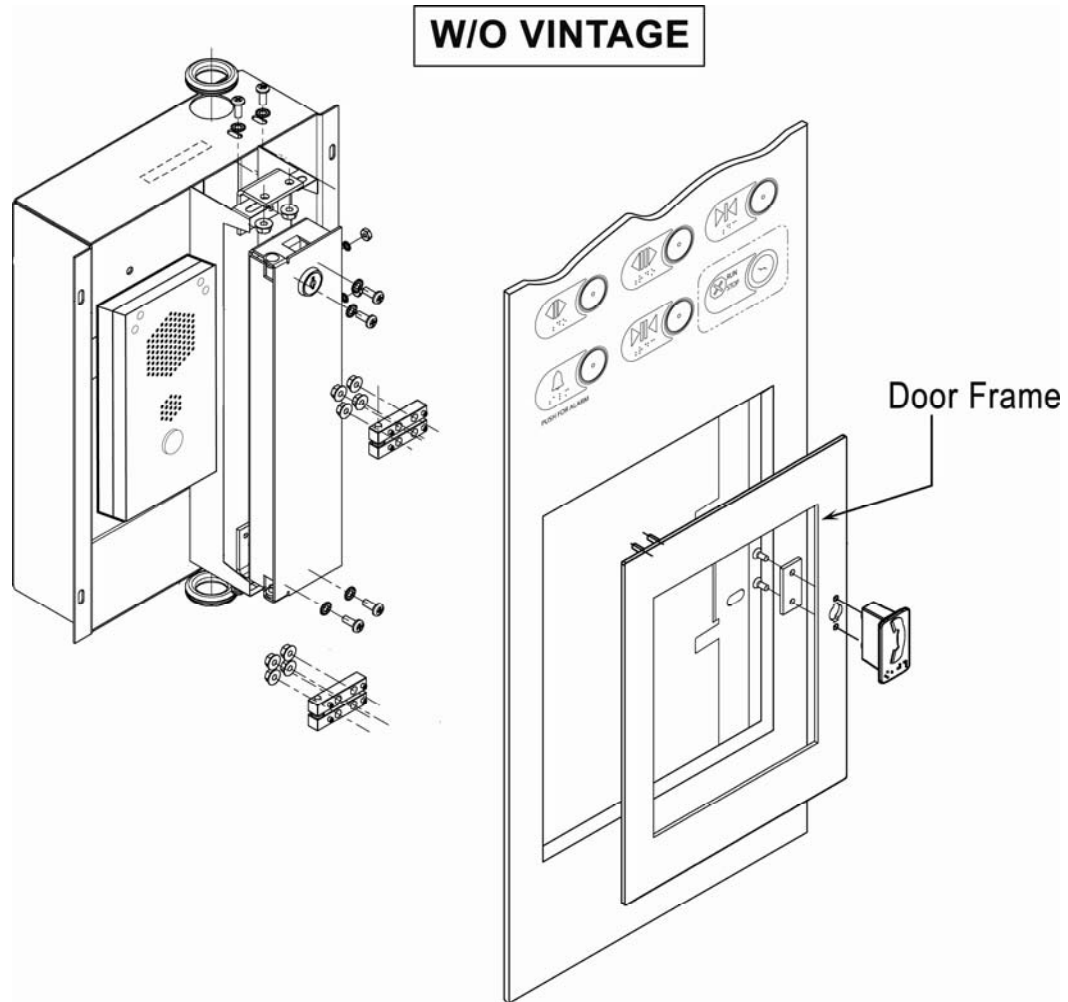


Cabinet Doors for Swing Panel COP

Spare Parts Leaflet

31-AAA406BU

November 25, 2009 / Page 1 of 4



Unpublished Work—© Otis Elevator Co.; 2009

OTIS

Safety First!

SERVICE ENGINEERING
Otis Elevator Company
Bloomfield, Connecticut USA

Leaflet Description

This leaflet lists parts related to types AAA406BU and AAA406BV doors.

Leaflet Revisions

Date Revised	Subject Matter Expert	Reason for Revision
November 25, 2009	Michael Bertini	New SPL
---	---	---

Related Drawings

Drawing No.	Title	Drawing No.	Title
AAA406BU	Door	AA406BV	Door
---	---	---	

Related Documents

Document ID	Title
SPL 31-AAA25000BT	Series 4 Swing Panel Car Operating Panel
SPL 31-AAA7144CG	Combination Service and Communication Cabinet
SPL 31-AAA7144CJ	Service Cabinet

Subject Matter Expert

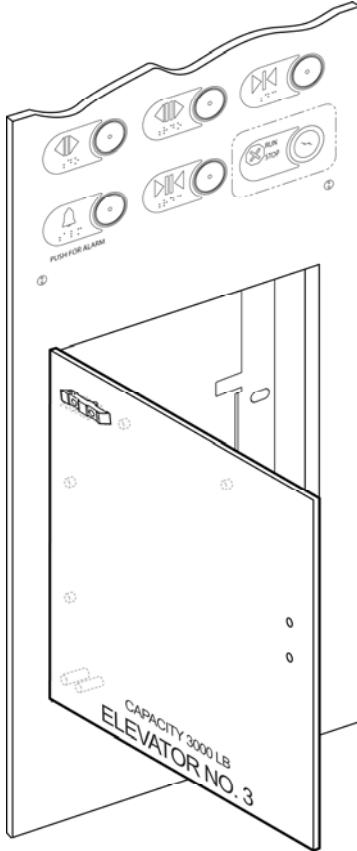
Name	Department
Michael Bertini	OSC Service Engineering

About Spare Parts Leaflets...

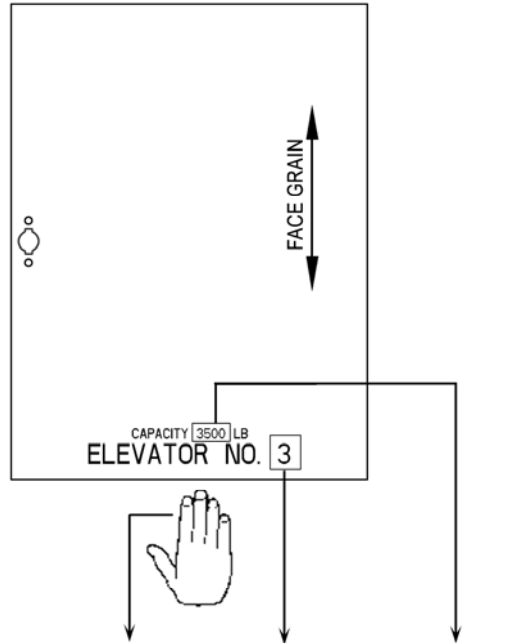
This document lists the lowest replaceable units (LRUs) for the standard version of the product. The LRUs are chosen by a team of Otis associates representing engineering and manufacturing.

While goal of this document is to make parts identification as easy as possible, the document cannot be all-inclusive. Elevator and escalator contracts classified as “special” or “custom” are not addressed here. For such contracts, please refer to specified information, the contract folder, TIPS, Field Education Articles, Construction Letters, etc. for further information.

If you have any suggestions about this document, please contact the subject matter expert listed on this page.



Door to be ordered in the following way:
AAA406BU_-hand-elevator no.-capacity
 e.g.: AAA406BU6-RH-3-3500

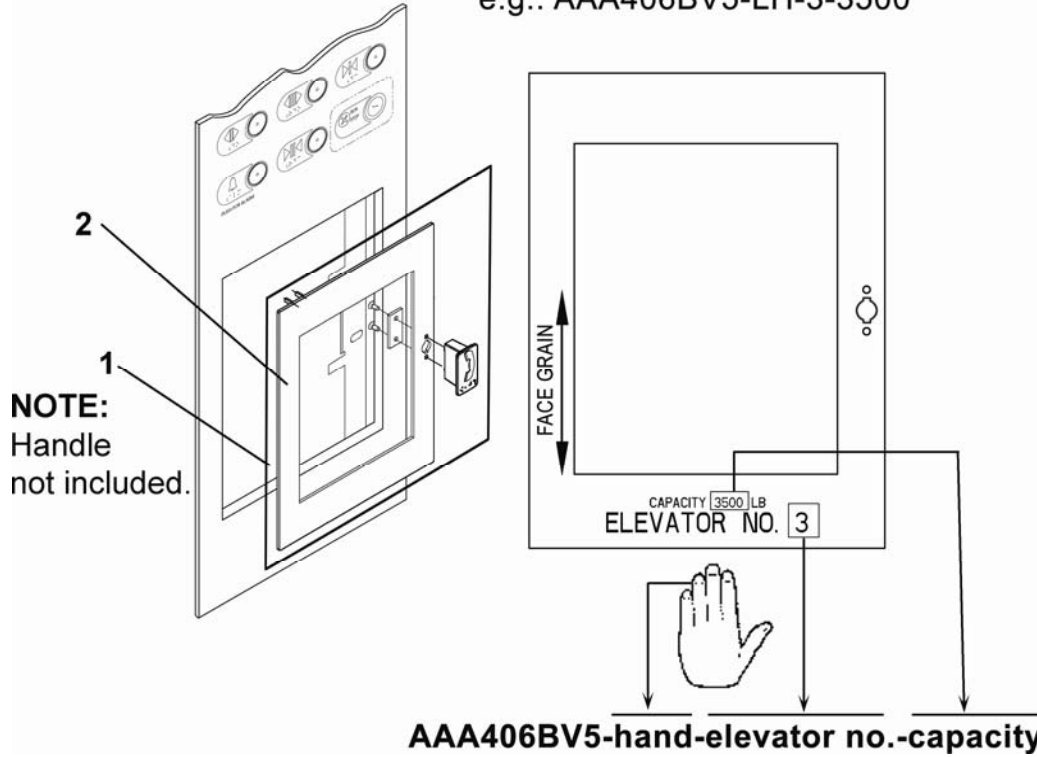


AAA406BU6-hand-elevator no.-capacity

W/O VINTAGE		
PART No.	FINISH	DESCRIPTION
AAA406BU5-_-_-	MF4	Door, w/o Certificate Frame, Stainless Steel Finish, NOTE
AAA406BU6-_-_-	SS8	Door, w/o Certificate Frame, Mirror Steel Finish, NOTE
AAA406BU7-_-_-	BR7	Door, w/o Certificate Frame, Brushed Bronze Finish, NOTE
AAA406BU8-_-_-	BR8	Door, w/o Certificate Frame, Mirror Bronze Finish, NOTE
AAA406BU10-_-_-	FS4	Door, w/o Certificate Frame, Ferretic Steel, NOTE

NOTE: Hand of door indicates location of hinges, i.e., left-hand door has hinges on the left side of door.

Door to be ordered in the following way:
AAA406BV_-hand-elevator no.-capacity
 e.g.: AAA406BV5-LH-3-3500



REF. No.	PART No.	FINISH	DESCRIPTION
	W/O VINTAGE		
1	AAA406BV5-_-_-	MF4	Door, w/Certificate Frame, Stainless Steel Finish, NOTE
	AAA406BV6-_-_-	SS8	Door, w/Certificate Frame, Mirror Steel Finish, NOTE
	AAA406BV7-_-_-	BR7	Door, w/Certificate Frame, Brushed Bronze Finish, NOTE
	AAA406BV8-_-_-	BR8	Door, w/Certificate Frame, Bronze, Mirror Bronze Finish, NOTE
	AAA406BV10-_-_-	FS4	Door, w/Certificate Frame, Bronze, Ferretic Steel Finish, NOTE
2	AAA443DL1	- - -	Lens, Clear Lexan

NOTE:

- Hand of door indicates location of hinges, i.e., left-hand door has hinges on the left side of door.
- Lexan lens included.