

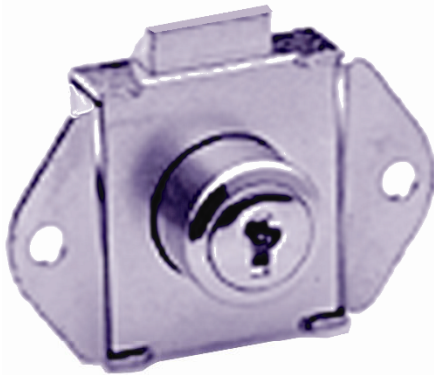
**Lock
(for Fire Panels)**

Spare Parts Leaflet

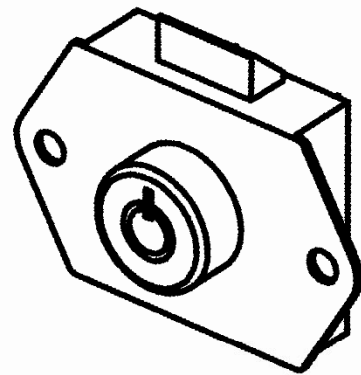
31-AAA431AQ

April 8, 2020 / Page 1 of 4

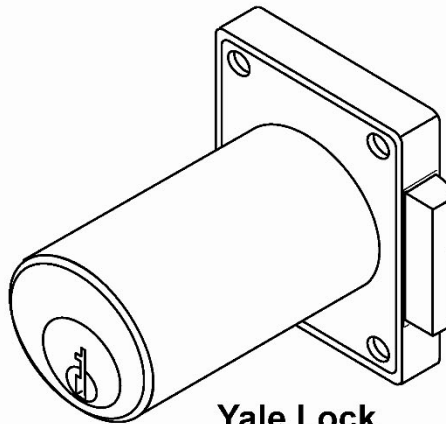
**W/O
VINTAGE**



Northeast Lock



Northeast Lock



Yale Lock

OTIS

This document does not contain any technical data subject to EAR or ITAR

**SERVICE ENGINEERING
Otis Elevator Company
Bloomfield, Connecticut USA**

Unpublished Work—© Otis Elevator Co.; 2020

Leaflet Description

This new SPL includes fire panel locks for the integral fire service cabinets, as well as standalone cabinets.

Leaflet Revisions

Date Revised	Subject Matter Expert	Reason for Revision
November 27, 2007	Mike Bertini	New SPL.
September 1, 2010	Joseph Zych	Added parts AAA431AQ15, 16, and 17. Add dim. A, C.
March 14, 2018	Joseph Zych	Added parts AAA431AQ18 through 22
April 8, 2020	Solomon Wanyonyi	Added Part AAA431AQ23 in Ref. 2 on p. 3

Related Drawings

Drawing No.	Title	Drawing No.	Title
AAA431AQ	Lock, Fire Panel		

Related Documents

Document ID	Title
SPL 31-AAA7144CL	Firefighter's Cabinet
SPL 31-AAA7144CK	Firefighter's Cabinet
SPL 31-AAA25000DQ	Car Operating Panel M3 Series w/PIDI Combo and ADA Speech Board (Modernization)
SPL 31-AAA25000BT	Car Operating Panel, Swing Return, Series 4

Subject Matter Expert

Name	Department
Joseph Zych	OSC Service Engineering

About Spare Parts Leaflets...

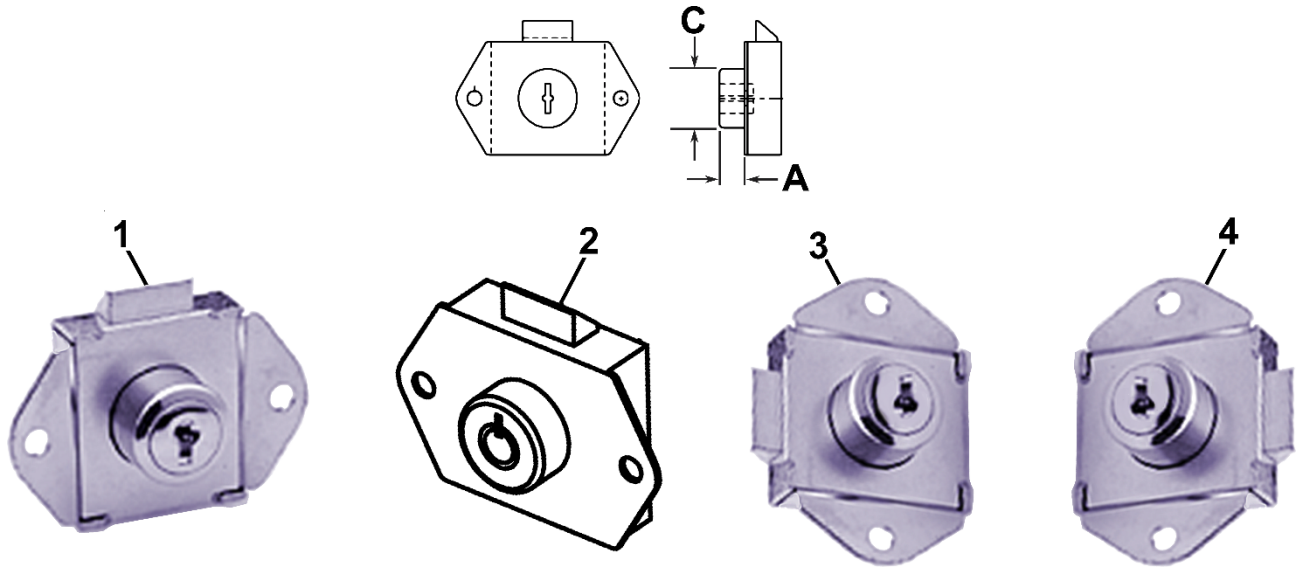
This document lists the lowest replaceable units (LRUs) for the standard version of the product. The LRUs are chosen by a team of Otis associates representing engineering and manufacturing.

While goal of this document is to make parts identification as easy as possible, the document cannot be all-inclusive. Elevator and escalator contracts classified as "special" or "custom" are not addressed here. For such contracts, please refer to specified information, the contract folder, TIPs, Field Education Articles, Construction Letters, etc. for further information.

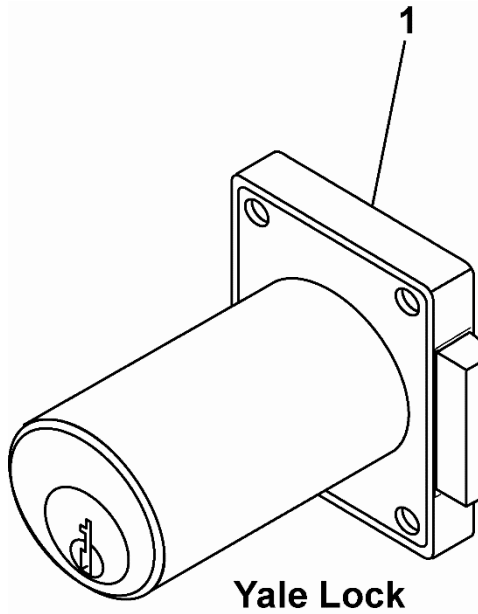
If you have any suggestions about this document, please contact the subject matter expert listed on this page.

Northeast Lock Company Locks

31-AAA431AQ



REF. No.	W/O VINTAGE PART No.	LOCK, DOOR LATCH/CODE	KEY PART No.	DIM 'A' (mm)	DIM 'C' (mm)	
1	AAA431AQ1	ASME A17.1-2004	6410W-UTF	9.52	22.23	
	AAA431AQ2	RI, ASME A17.1-2004	VP-797150			
	AAA431AQ3	SC, ASME A17.1-2004	VP-797160			
	AAA431AQ6	Arizona Fire Code, City of Phoenix	6410W-AZFS			
	AAA431AQ8	FL, Region 1, 2006 Code	Not Available through OSC, Purchase Locally	23.16	22.01	
	AAA431AQ9	FL, Region 2, 2006 Code				
	AAA431AQ10	FL, Region 3, 2006 Code				
	AAA431AQ11	FL, Region 4, 2006 Code				
	AAA431AQ12	FL, Region 5, 2006 Code				
	AAA431AQ13	FL, Region 6, 2006 Code				
	AAA431AQ14	FL, Region 7, 2006 Code				
	AAA431AQ15	MA, ME, NH, NJ Code, <table border="1" style="display: inline-table; vertical-align: middle;"><tr><td>ORDER</td></tr></table> Ref. 3 or 4	ORDER	VP-797130	15.87	25.25
	ORDER					
	AAA431AQ18	Phoenix Controller	6410W-UTH	9.52	22.23	
	AAA431AQ19	Phoenix Controller	6410W-UTB			
	AAA431AQ20	NYC code	2642	15.87	25.25	
	AAA431AQ21	State of Louisiana Code	Not Available through OSC, Purchase Locally	23.16	22.01	
AAA431AQ22	State of Virginia Code					
2	AAA431AQ7	2006 Fire Code A17.1-2007	6410W-FEO-K1	9.52	22.23	
	AAA431AQ23	State of Connecticut Code	BFD1	9.52	22.01	
3	AAA431AQ16	MA, ME, NH, NJ Code, <table border="1" style="display: inline-table; vertical-align: middle;"><tr><td>W</td></tr></table> → Door Hinge	W	VP-797130	15.87	25.25
W						
4	AAA431AQ17	MA, ME, NH, NJ Code, <table border="1" style="display: inline-table; vertical-align: middle;"><tr><td>W</td></tr></table> → Door Hinge	W	VP-797130		
W						



		W/O VINTAGE	
REF. No.	PART No.	DESCRIPTION/CODE	KEY PART No.
1	AAA431AQ4	NH, ME, MA, NJ ASME A17.1-2004, 29 mm ↻ Cylinder, Cylinder 25.4 mm L NOTE: For 🖐 hand door hinge	VP-797130
	AAA431AQ5	NH, ME, MA, NJ ASME A17.1-2004, 29 mm ↻ Cylinder, Cylinder 25.4 mm L NOTE: For 🖐 hand door hinge	