

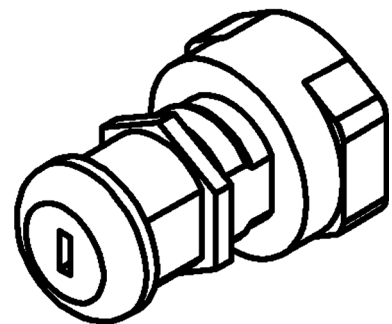
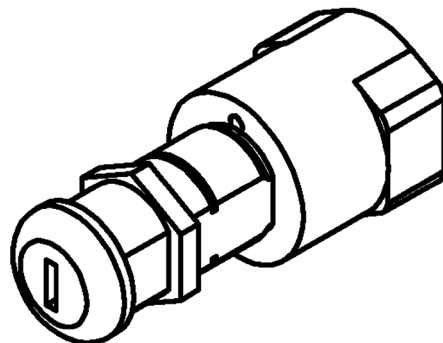
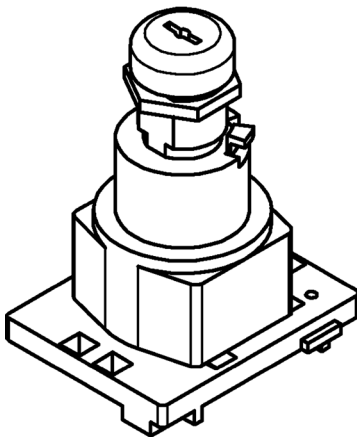
**Fire Service Keyswitch
MA, RI, & SC**

Spare Parts Leaflet

31-AAA634C

October 10, 2008 / Page 1 of 5

**W/O
VINTAGE**



Unpublished Work—© Otis Elevator Co.; 2008

OTIS

Safety First!

SERVICE ENGINEERING
Otis Elevator Company
Bloomfield, Connecticut USA

Leaflet Description

This leaflet is used to identify Massachusetts Security key switches (AAA634C), South Carolina Fire Service keyswitches (AAA634D) and Rhode Island Fire Service Key switches (AAA634F). Please note that the AAA634C type keyswitches are only provided without keys, due to restrictions placed by the State of Massachusetts.

Leaflet Revisions

Date Revised	Subject Matter Expert	Reason for Revision
October 10, 2008	Joe Zych	New SPL

Related Drawings

Drawing No.	Title	Drawing No.	Title
AAA634C	Switch, Key Security	AAA634D	Switch, Key, Fire Service, South Carolina
AAA634F	Switch, Key, Fire Service		

Related Documents

Document ID	Title
32-AAA23851A	Fixture Part, Keyswitch (Series 5 Fixture)
31-AAA7069BR	Massachusetts Medical Emergency Keyswitch Modules
31-AAA23500F	Key switch Assemblies Light Ring & Engraved Collar Version
31-AAA7069BH	Keyswitch Modules
31-AAA6410AB	Keyswitch Assembly
31-AAA7144CK	Firefighter's Cabinet (Series 2 and 4 COP)

Subject Matter Expert

Name	Department
Joe Zych	OSC Service Engineering

About Spare Parts Leaflets...

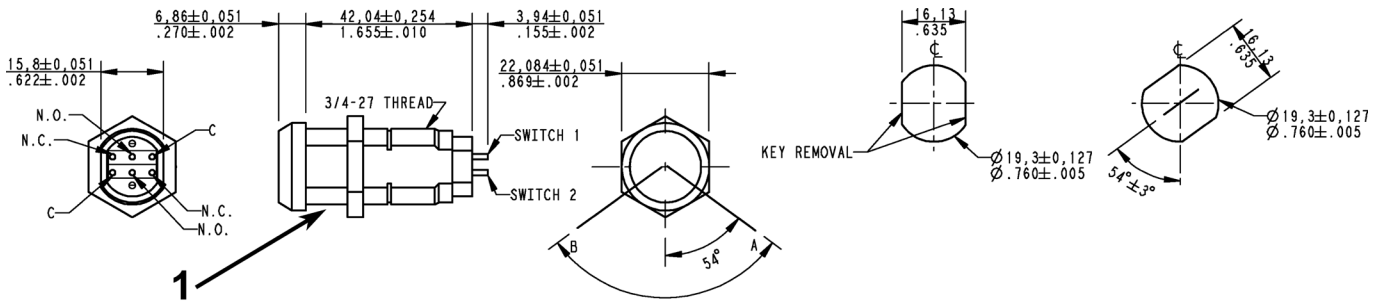
This document lists the lowest replaceable units (LRUs) for the standard version of the product. The LRUs are chosen by a team of Otis associates representing engineering and manufacturing.

While goal of this document is to make parts identification as easy as possible, the document cannot be all-inclusive. Elevator and escalator contracts classified as "special" or "custom" are not addressed here. For such contracts, please refer to specified information, the contract folder, TIPs, Field Education Articles, Construction Letters, etc. for further information.

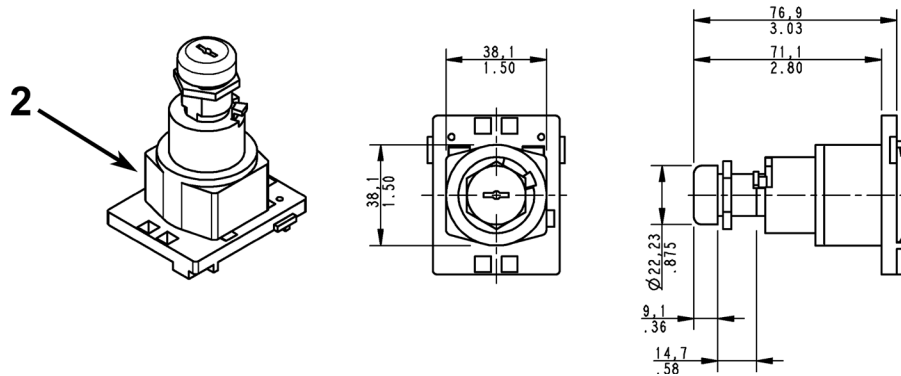
If you have any suggestions about this document, please contact the subject matter expert listed on this page.

Massachusetts Security Keyswitch

31-AAA634C



Switches 1 & 2 made a DPDT switch actuated in key position B.

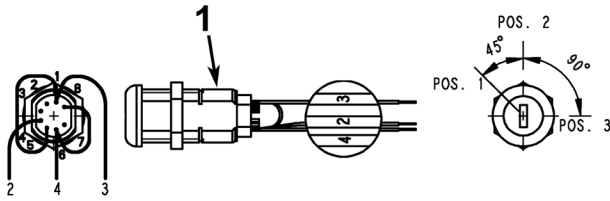


W/O VINTAGE			
REF. No.	PART No.	DESCRIPTION	
1	AAA634C1	Keyswitch, ~ 108° Rotation, Key Remove Positions: A & B	125 VAC, 28 VDC (see NOTE)
	AAA634C2	Keyswitch, ~ 90° Rotation, Key Remove Position: A	
2	AAA634C3	Keyswitch, ~ 45° Rotation, Key Remove Position: 12 O' Clock	---

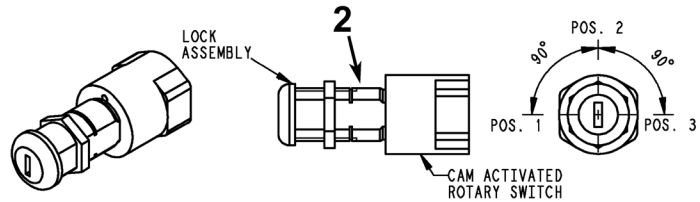
NOTE: Keys are restricted. To order, contact McCormack State Office Building, 1 Ashburton Place-Room 1301, Elevator Section, Boston, MA 02108-1618. Phone (617) 727-3200

31-AAA634C

Fire Service Keyswitch, South Carolina

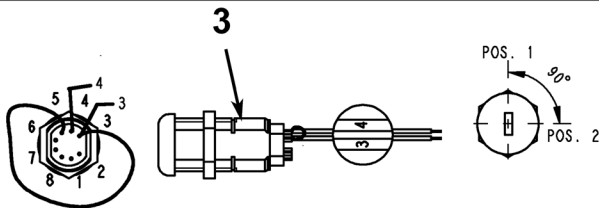


POSITION	FUNCTION	ACTIVE TERMINALS	WIRES 2-3	WIRES 3-4
1	RESET	8/1 & 4/5	SHORTED	SHORTED
2	OFF	1/2 & 5/6	OPEN	
3	ON	2/4 & 6/8		OPEN

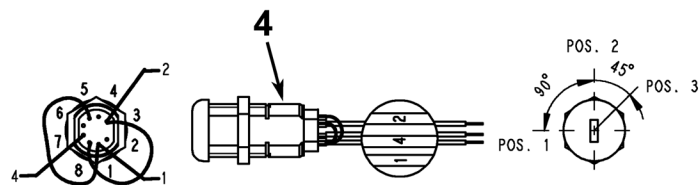


POSITION	FUNCTION	1/2	3/4
1	OFF	X	
2	HOLD	X	X
3	ON		

X INDICATES CONTACT CLOSURE
TERMINAL 1 & 3 INTERNALLY JUMPED,
CONTACT 1/2 REMAIN CLOSED BETWEEN
OFF-HOLD



POSITION	FUNCTION	WIRES 3-4
1	OFF	SHORTED
2	ON	OPEN

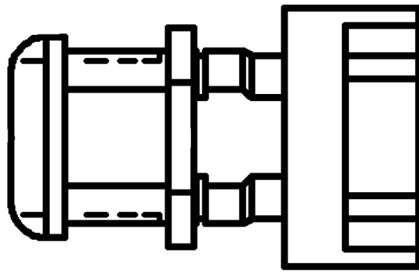


POSITION	FUNCTION	WIRES 1-2	WIRES 1-4
1	OFF	SHORTED	OPEN
2	HOLD	SHORTED	SHORTED
3	ON	OPEN	OPEN

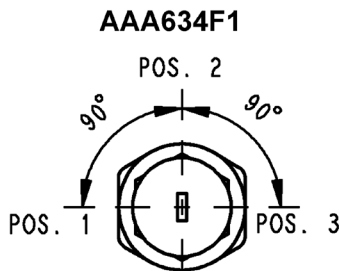
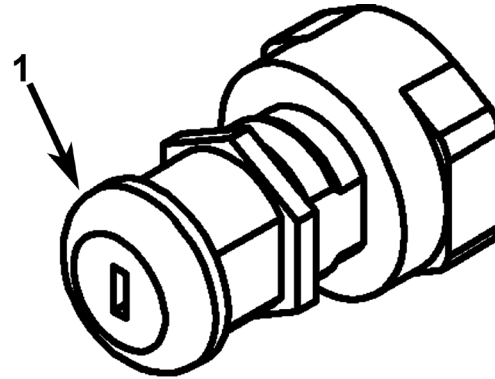
W/O VINTAGE		
REF. No.	PART No.	DESCRIPTION
1	AAA634D1	Keyswitch, Integral, w/2 Keys, Remove Positions: 2 & 3, 135° Rotation, 250 VAC (2 A), 28 VDC (4 A), for hall station
2	AAA634D2	Keyswitch, Integral, w/2 Keys, Remove Positions: 1, 2, & 3, 180° Rotation, 10 A @ 300 VAC, for car pre ASME A17.1-2000
3	AAA634D3	Keyswitch, Integral, w/2 Keys, Remove Positions: 1 & 2, 90° Rotation, 250 VAC (2 A), 28 VDC (4 A), for Remote Station
4	AAA634D4	Keyswitch, Integral, w/2 Keys, Remove Positions: 1 & 2, 135° Rotation, 250 VAC (2 A), 28 VDC (4 A), for car and ASME A17.1-2000
---	AAA634D-SC1000	Keys (2 supplied)

Rhode Island Fire Service Keyswitch

31-AAA634C

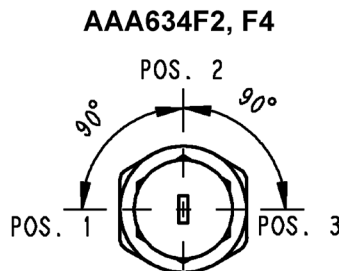


CAM ACTIVATED
ROTARY SWITCH



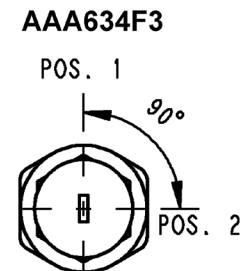
POSITION	FUNCTION	1/2	3/4
1	BYPASS	X	X
2	OFF		X
3	ON		

X INDICATES CONTACT CLOSURE
TERMINAL 1 & 3 INTERNALLY
JUMPED, CONTACT 3/4 REMAIN
CLOSED BETWEEN BYPASS-OFF



POSITION	FUNCTION	1/2	3/4
1	OFF	X	
2	HOLD	X	X
3	ON		

X INDICATES CONTACT CLOSURE
TERMINAL 1 & 3 INTERNALLY
JUMPED, CONTACT 1/2 REMAIN
CLOSED BETWEEN OFF-HOLD



POSITION	FUNCTION	1/2	3/4
1	OFF	X	X
2	ON	X	

X INDICATES CONTACT CLOSURE
TERMINAL 1 & 3 INTERNALLY
JUMPED, CONTACT 1/2 REMAIN
CLOSED BETWEEN OFF-ON

REF. No.	PART No.	DESCRIPTION
1	AAA634F1	Keyswitch w/2 Keys, Remove Positions: 2 & 3, 180° Rotation, 10 A @ 300 VAC for Hall Station
	AAA634F2	Keyswitch w/2 Keys, Remove Positions: 1, 2, & 3, 180° Rotation, 10 A @ 300 VAC, for Car
	AAA634F3	Keyswitch w/2 Keys, Remove Positions: 1 & 2, 90° Rotation, 10 A @ 300 VAC, for Remote Station
	AAA634F4	Keyswitch w/2 Keys, Remove Positions: 1 & 2, 180° Rotation, 10 A @ 300 VAC for Car and A17.1/B44 2000 Code
---	AAA634F-WD01	Keys (2 supplied) for p/n AAA634F1, AAA634F2