

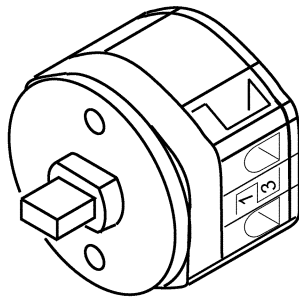
# Fixture Part - Keyswitch Rotary Switch

Spare Parts Leaflet

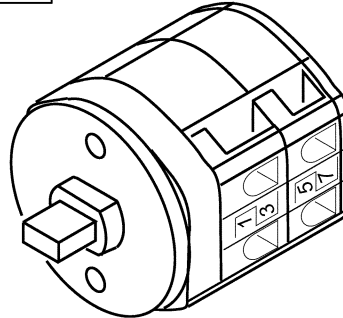
31-AAA636A

January 25, 2006 / Page 1 of 7

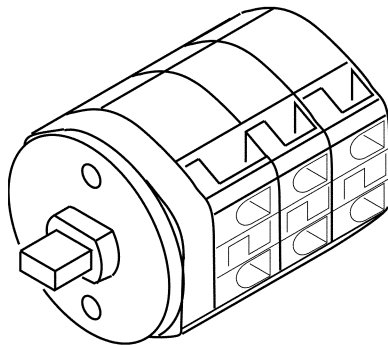
W/O  
VINTAGE



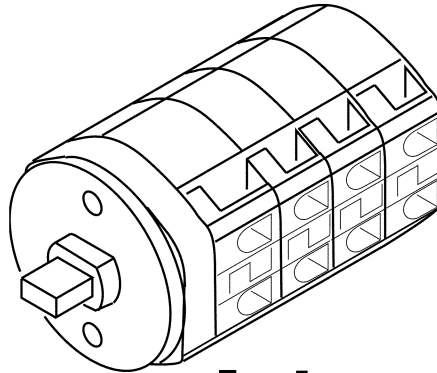
Type 1  
DPST / DPDT



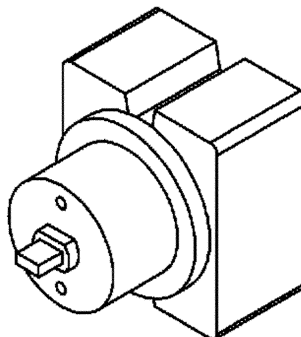
Types 2 and 3  
4PST / 4PDT



Type 4  
6PDT



Type 5  
7P3T



Type ABA636A19  
DPST

Unpublished Work—© Otis Elevator Co., 2006

**OTIS**

**Safety First!**

**SERVICE ENGINEERING**  
Otis Elevator Company  
Bloomfield, Connecticut USA

**Leaflet Description**

This leaflet lists keyswitch rotary switches.

These are the acronyms used in the leaflet:

**DPST** = Double Pole Single Throw

**DPDT** = Double Pole Double Throw

**4PST** = 4 Pole Single Throw

**4PDT** = 4 Pole Double Throw

**6PDT** = 6 Pole Double Throw

**7P3T** = 7 Pole 3 Throw

**Leaflet Revisions**

<b>Date Revised</b>	<b>Subject Matter Expert</b>	<b>Reason for Revision</b>
May 20, 1997	John Kulikowski	Add part 13, some text, and delete text on part 12, add graphics
September 17, 2003	Lisa K. Mitchell	Add parts ABA636A14-19 w/schematic; corrected schematic graphics
January 25, 2006	Joseph D. Zych	Add parts ABA636A20 through 22 w/schematics

**Related Drawings**

<b>Drawing No.</b>	<b>Title</b>	<b>Drawing No.</b>	<b>Title</b>
ABA636A	Switch, Rotary Keyswitch		

**Related Documents**

<b>Document ID</b>	<b>Title</b>
SPL 31-AAA6410AB	Keyswitch Assembly
SPL 31-AAA06410AAA/ AAA6410AA	Keyswitch Assembly

**Subject Matter Expert**

<b>Name</b>	<b>Department</b>
Joseph D. Zych	OSC, Service Engineering

**About Spare Parts Leaflets...**

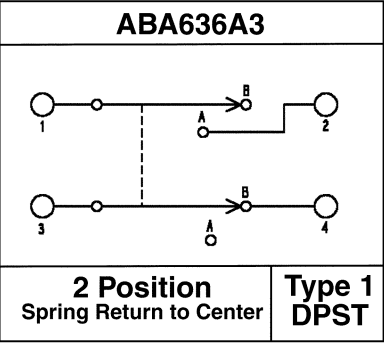
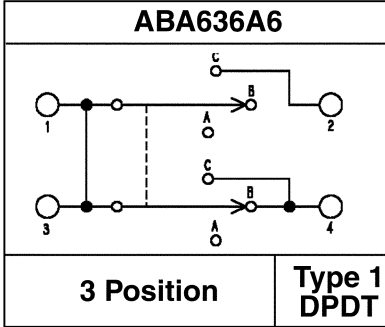
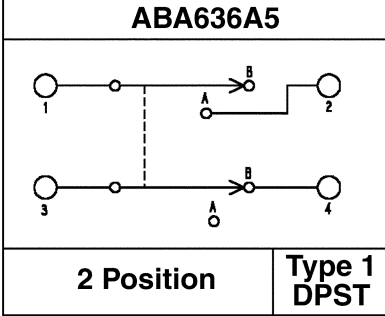
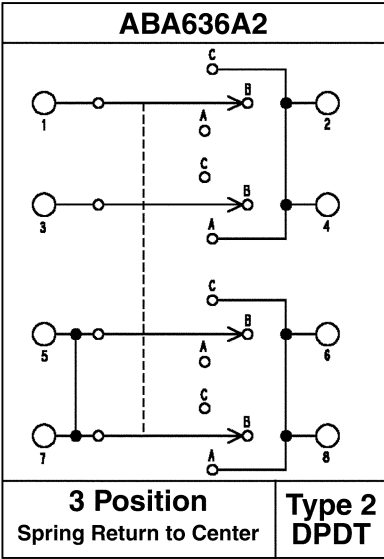
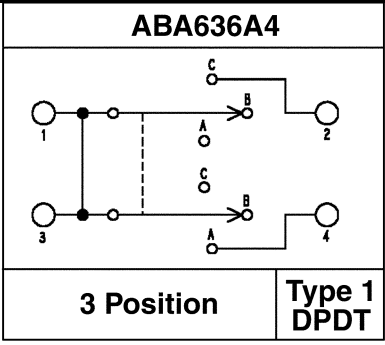
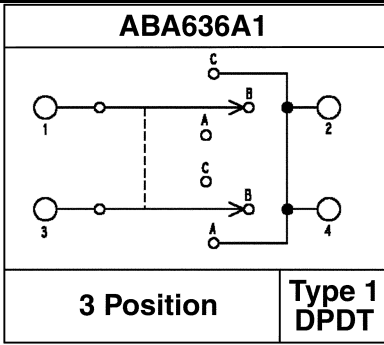
This document lists the lowest replaceable units (LRUs) for the standard version of the product. The LRUs are chosen by a team of Otis associates representing engineering and manufacturing.

While goal of this document is to make parts identification as easy as possible, the document cannot be all-inclusive. Elevator and escalator contracts classified as "special" or "custom" are not addressed here. For such contracts, please refer to specified information, the contract folder, TIPs, Field Education Articles, Construction Letters, etc. for further information.

If you have any suggestions about this document, please contact the subject matter expert listed on this page.

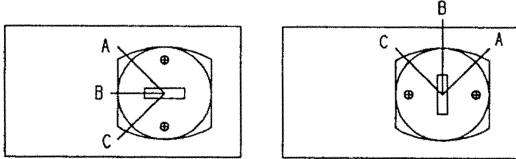
# Rotary Switch

**31-AAA636A**



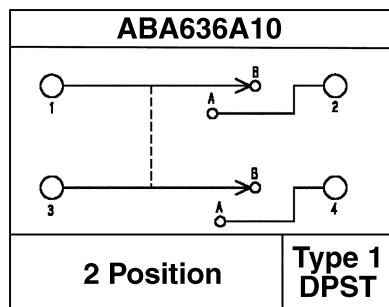
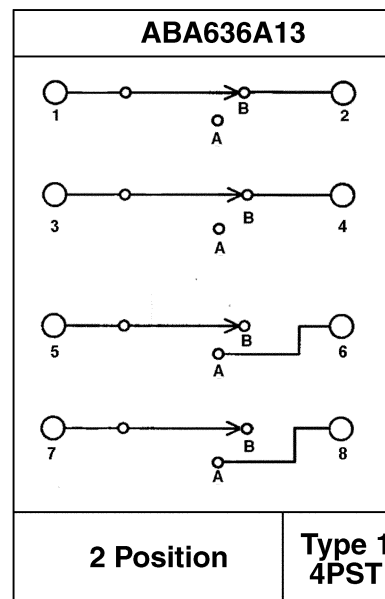
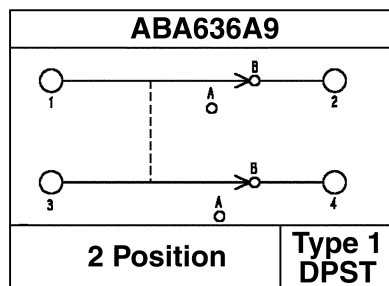
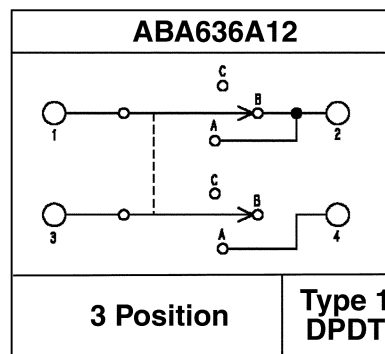
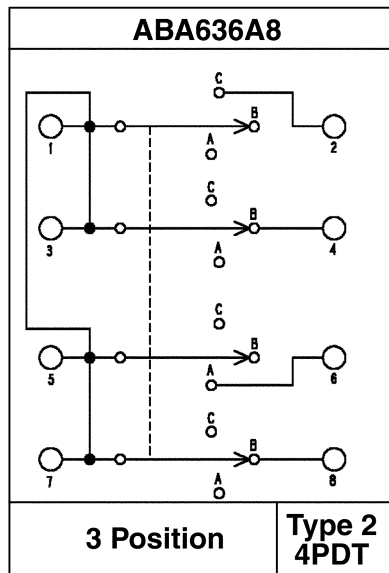
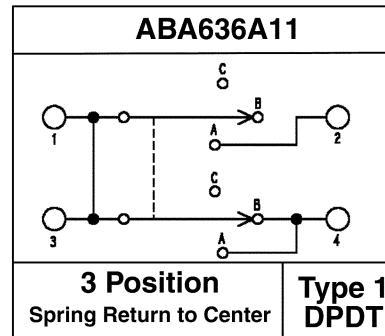
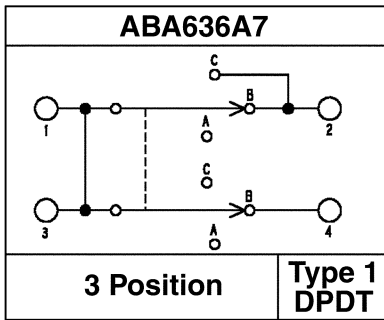
**ELECTRICAL RATING**  
 9A @ 30VDC  
 700 Watt Lamp Load @ 115VAC

**Switch Positions**  
 A = CLOCKWISE  
 B = CENTER  
 C = COUNTERCLOCKWISE



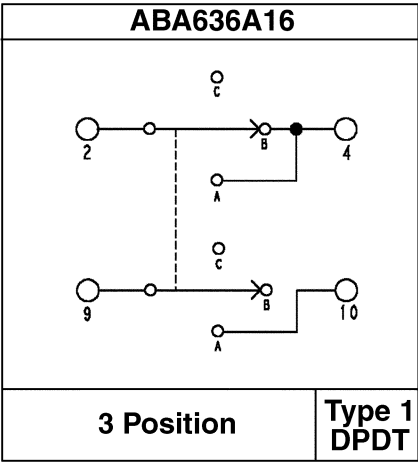
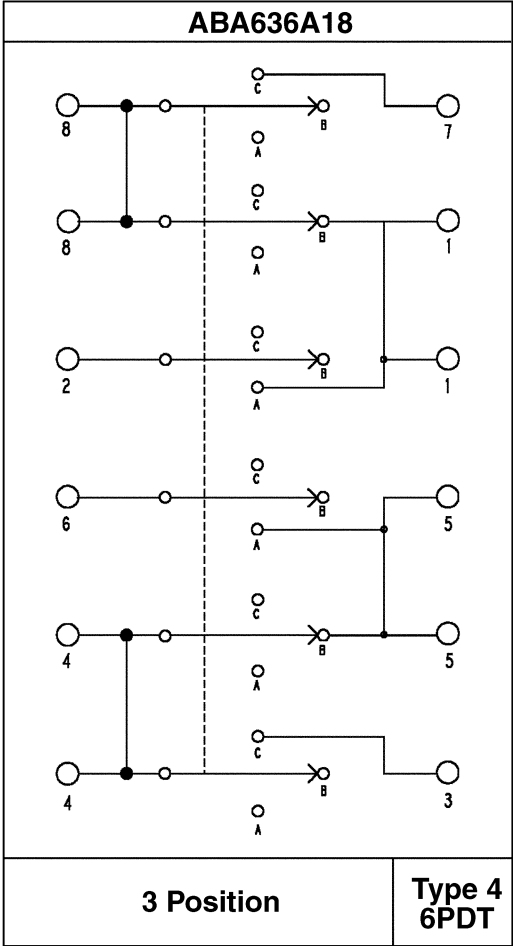
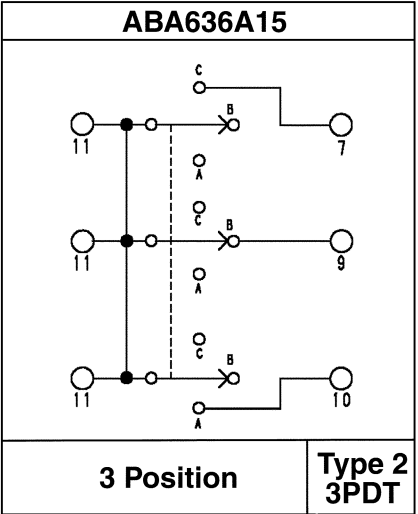
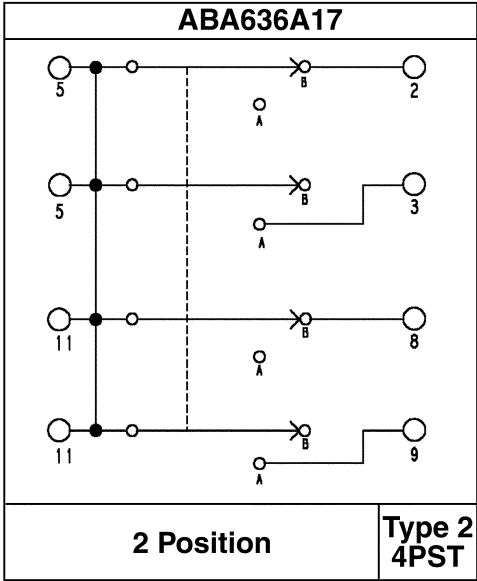
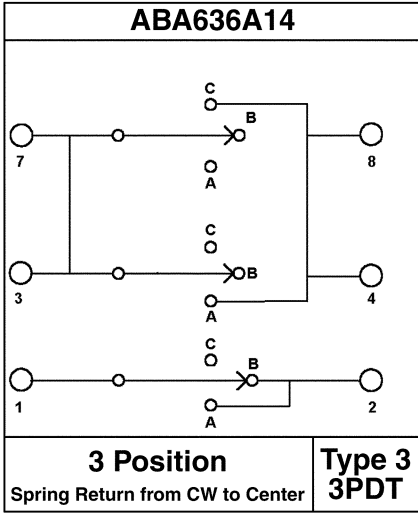
# 31-AAA636A

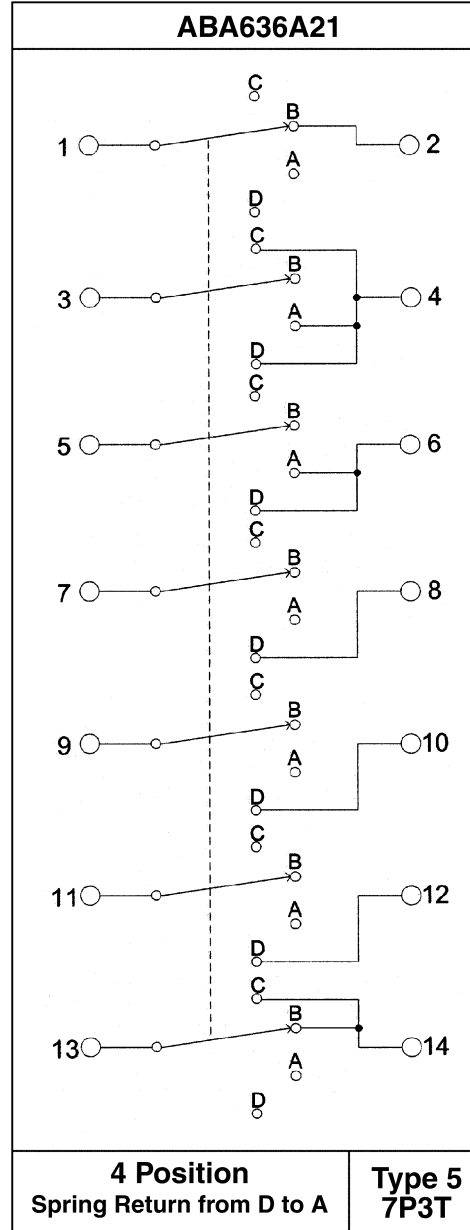
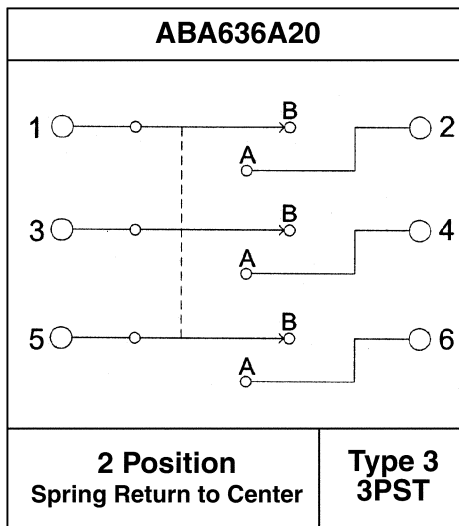
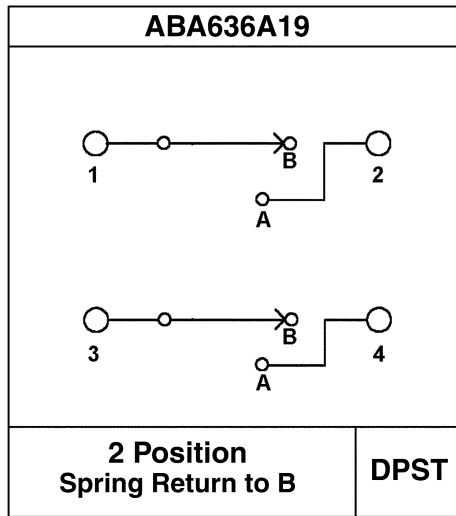
# Rotary Switch



# Rotary Switch

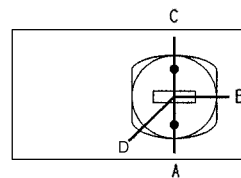
**31-AAA636A**





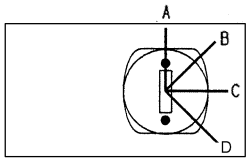
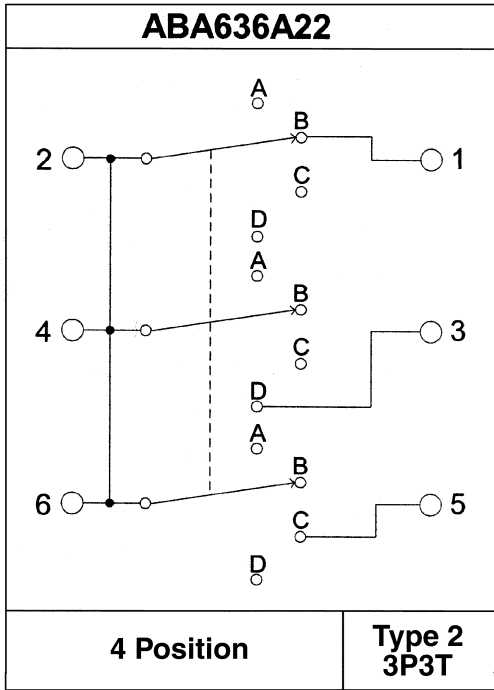
**Switch Positions**

- A = Counterclockwise
- B = Center-Counterclockwise
- C = Center-Clockwise
- D = "momentary"



# Rotary Switch

**31-AAA636A**



### Switch Positions

- A = Counterclockwise
- B = Center-Counterclockwise
- C = Center-Clockwise
- D = Clockwise