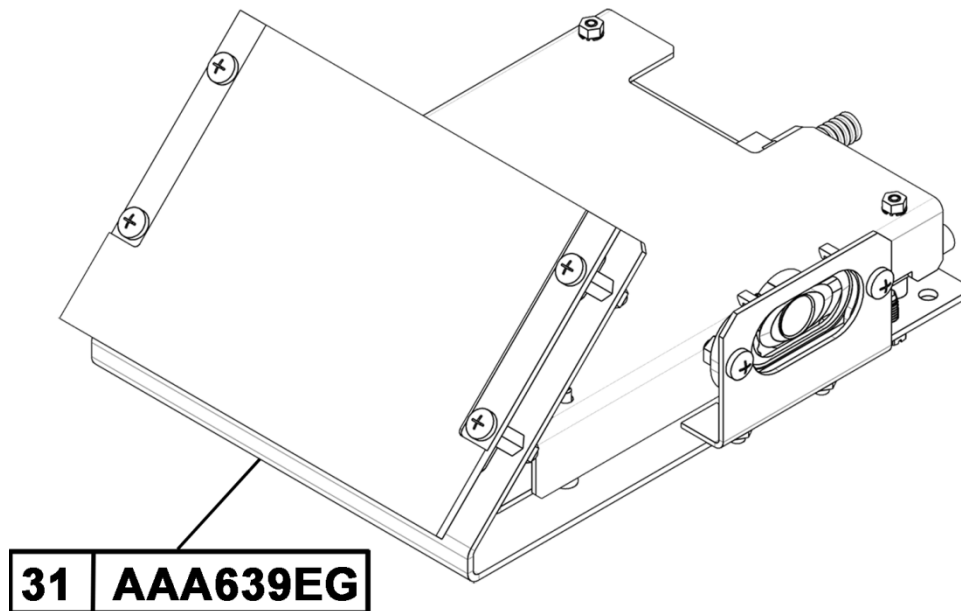


Computer Turnstile
Mount 4.3 in.

Spare Parts Leaflet

31-AAA639EG

January 18, 2017 / Page 1 of 3



OTIS

This document contains technical data
subject to EAR. ECCN: EAR99

SERVICE ENGINEERING

Otis Elevator Company

Bloomfield, Connecticut USA

Unpublished Work—© Otis Elevator Co.; 2017

Leaflet Description

This leaflet provides information for turnstile mount computer (4.3 in.) for CompassPlus® applications. Fitting of these units is provided by others.

Leaflet Revisions

Date Revised	Subject Matter Expert	Reason for Revision
January 18, 2017	Joseph Zych	New SPL

Related Drawings

Drawing No.	Title	Drawing No.	Title
AAA639EG	Computer Turnstile Mount 4.3 in.		

Related Documents

Document ID	Title
---	---

Subject Matter Expert

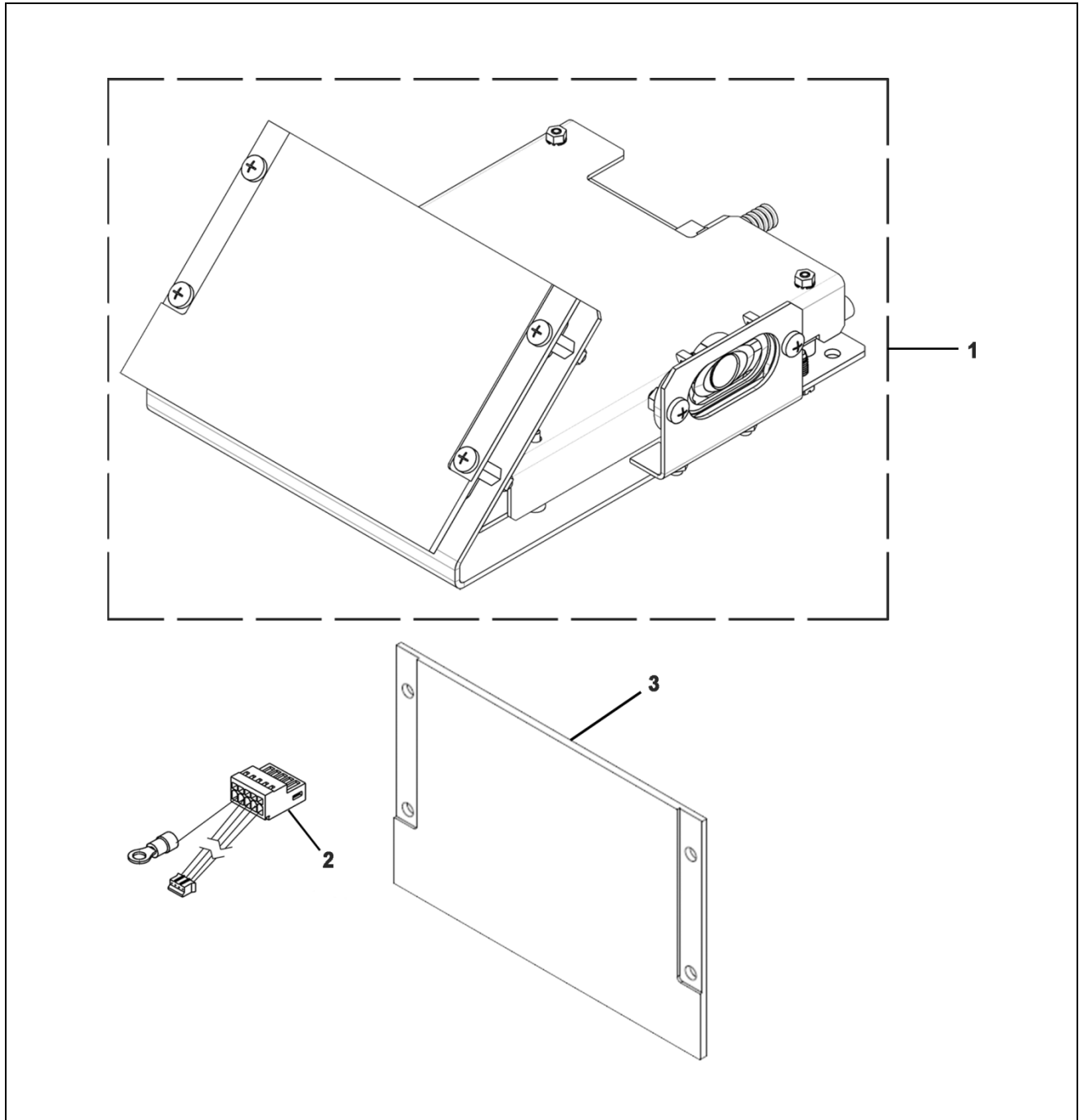
Name	Department
Joseph Zych	OSC Service Engineering

About Spare Parts Leaflets...

This document lists the lowest replaceable units (LRUs) for the standard version of the product. The LRUs are chosen by a team of Otis associates representing engineering and manufacturing.

While goal of this document is to make parts identification as easy as possible, the document cannot be all-inclusive. Elevator and escalator contracts classified as “special” or “custom” are not addressed here. For such contracts, please refer to specified information, the contract folder, TIPS, Field Education Articles, Construction Letters, etc. for further information.

If you have any suggestions about this document, please contact the subject matter expert listed on this page.



REF. No.	PART No.	DESCRIPTION
1	AAA639EG1	Assembly, Computer Turnstile Mount 4.3 in.
2	AAA21600JJ2	Cable, Electrical
3	AAA443GH1	Lens