

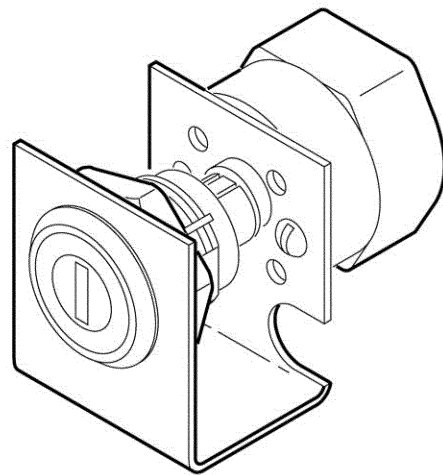
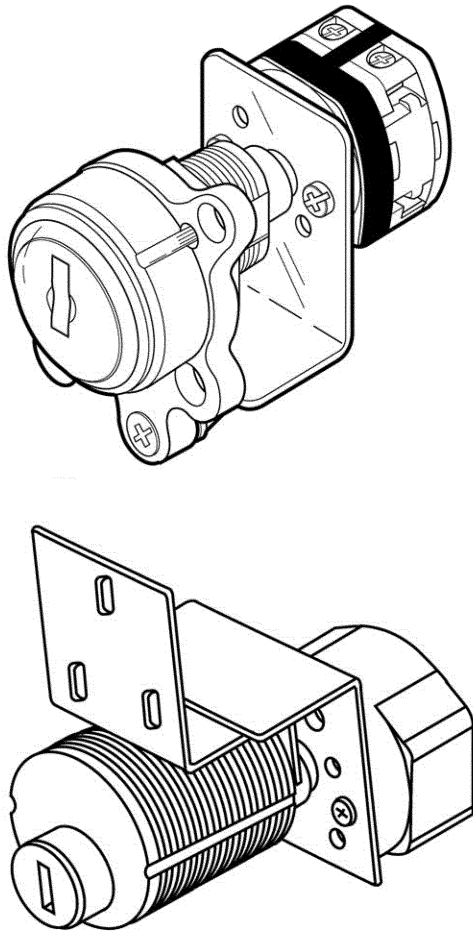
Keyswitch Assembly

Spare Parts Leaflet

31-AAA6410AB

May 15, 2024 / Page 1 of 26

**W/O
VINTAGE**



OTIS

This document does not contain any technical data subject to EAR or ITAR

SERVICE ENGINEERING
Otis Elevator Company
Bloomfield, Connecticut USA

Unpublished Work—© Otis Elevator Co.; 2024

History

31-AAA6410AB

Leaflet Description

This SPL describes keyswitch assembly type ABA6410AB. Individual components, chicklet marking, and initial applications are detailed.

Leaflet Revisions

Date Revised	SMESMES	Reason for Revision
See Next Page for Revision History		

Related Drawings

Drawing No.	Title	Drawing No.	Title
AAA6410AB	Keyswitch Module	ABA6410AB	Keyswitch Module

Related Documents

Document ID	Title
SPL 31-AAA270BM	Keyswitch Adaptors, Light Rings, and Engraved Collars
SPL 31-340AA	Fixtures – Part, Keyswitch Collars
SPL 31-AAA431AF	Fixture – Part, Keylock
SPL 31-AAA636A	Fixture – Part, Keyswitch, Rotary Switch
SPL 31-6410W	Advanced Fixture – Part, 6410W Keyswitch Assembly
SPL 31-AAA431AK	Lock Assembly
SPL 31-A634C	Fire Service Keyswitch MA, RI, & SC
SPL 31-AAA7069AAK	Keyswitch Module

Subject Matter Expert

Name	Department
Vadzim Fedarenka	OSC Service Engineering

About Spare Parts Leaflets...

This document lists the lowest replaceable units (LRUs) for the standard version of the product. The LRUs are chosen by a team of Otis associates representing engineering and manufacturing.

While goal of this document is to make parts identification as easy as possible, the document cannot be all-inclusive. Elevator and escalator contracts classified as “special” or “custom” are not addressed here. For such contracts, please refer to specified information, the contract folder, TIPs, Field Education Articles, Construction Letters, etc. for further information.

If you have any suggestions about this document, please contact the subject matter expert listed on this page.

(continued on next page)

History (continued)

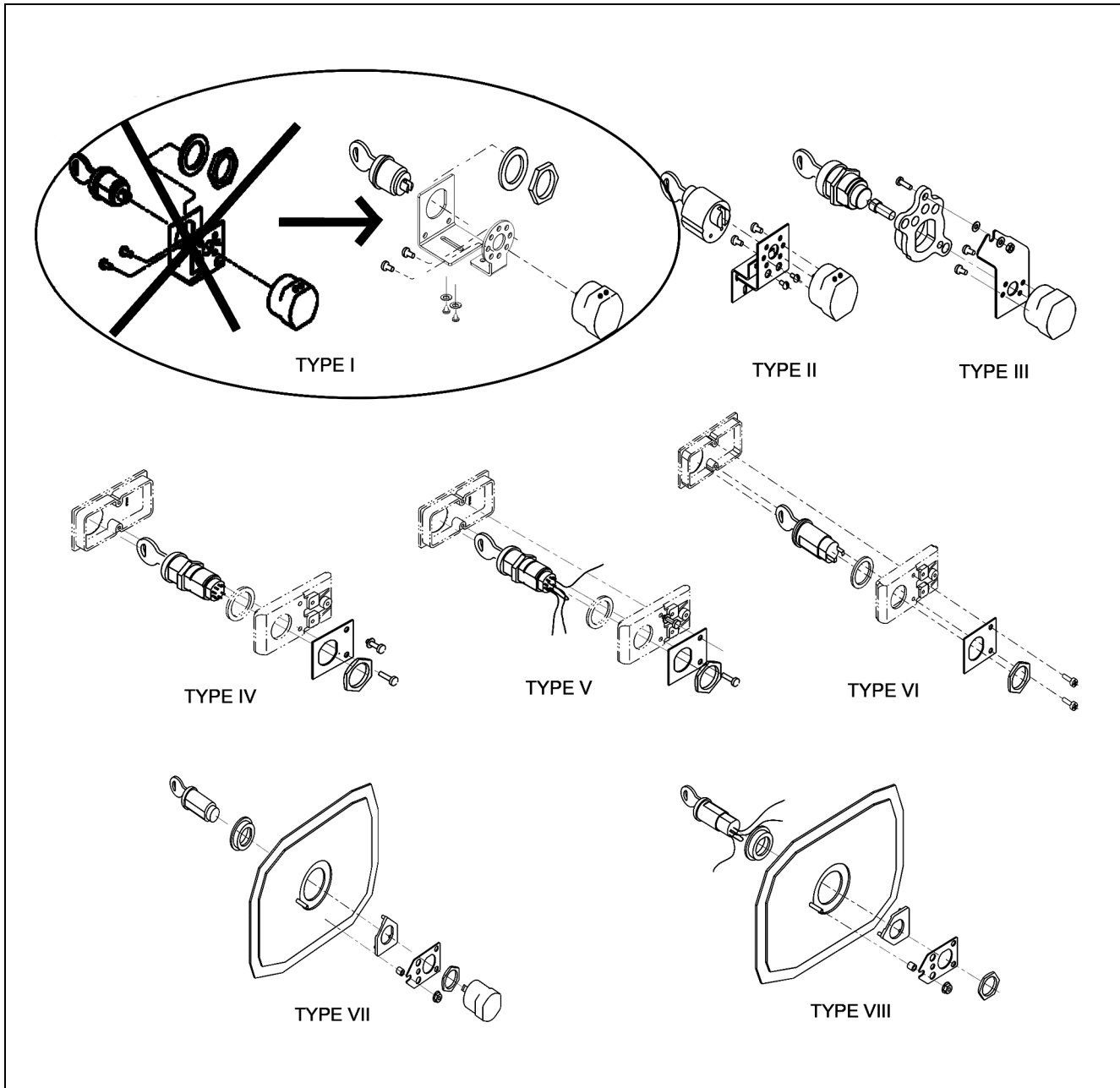
31-AAA6410AB

Leaflet Revisions

Date Revised	SMESMES	Reason for Revision
February 1998	Val Minnes	Update parts, drawings, add history page
October 6, 2003	Lisa K. Mitchell	Add part numbers: ABA6410AB86–136
January 16, 2006	Joseph D. Zych	Corrected typos and reference errors; added TOC page; added part numbers ABA6410AB137 through AB142.
February 9, 2007	Joseph D. Zych	Added part numbers ABA6410AB143 through AB147
October 24, 2008	Joseph D. Zych	Corrected key description for p/n ABA6410AB80 in ref. 2, on p. 6
September 17, 2009	Joseph D. Zych	Corrected ABA6410AB128 key on page 7.
October 29, 2014	Joseph D. Zych	Updated document template, Corrected information on p. 6
March 22, 2017	Ramone Reynolds	Added ABA6410AB148-177 & p. 22–24; Added Types XII & XIII on new p. 4; Replaced AAA316FEC bracket images & p/ns with AAA316KCT bracket assemblies; Updated related drawings
June 14, 2017	Joseph D. Zych	Updated history page
March 7, 2018	Ramone Reynolds and Joseph Zych	Added ABA6410AB178–189; Updated Table of Contents on pp. 4–5; Added note on Florida, LA-UEK and VA-UEK keys on pp. 24–26
May 15, 2024	Vadzim Fedarenka	Added ABA6410AB190–194 on p. 26.

TOC: Keyswitch Assembly Types

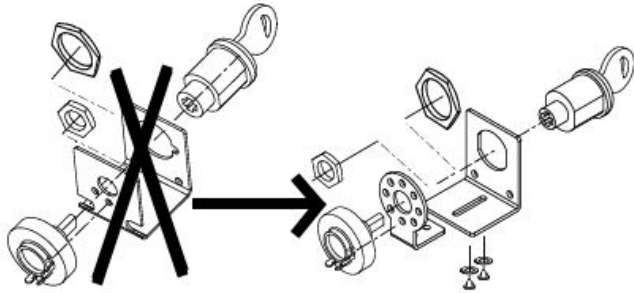
31-AAA6410AB



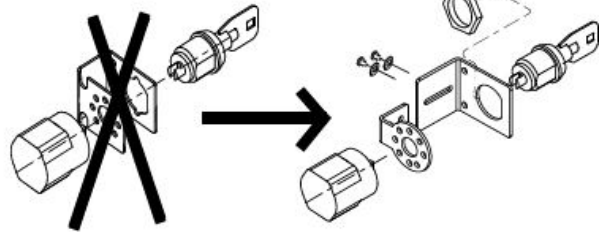
PAGE No.	DESCRIPTION
6-10	Keyswitch, Type I
11-13	Keyswitch, Type II
14-15	Keyswitch, Type III
16	Keyswitch, Type IV
17	Keyswitch, Type V
18	Keyswitch, Type VI
19	Keyswitch, Type VII
20	Keyswitch, Type VIII

TOC: Keyswitch Assembly Types

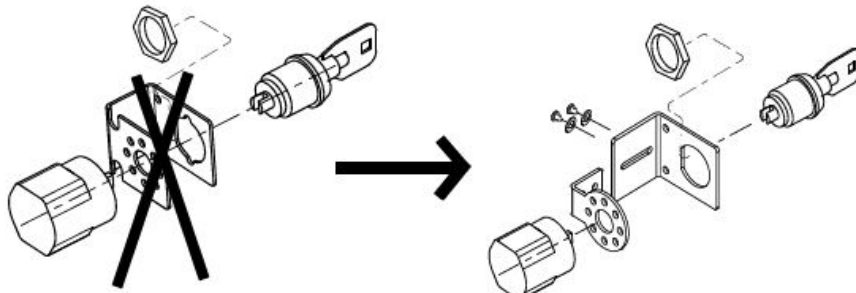
31-AAA6410AB



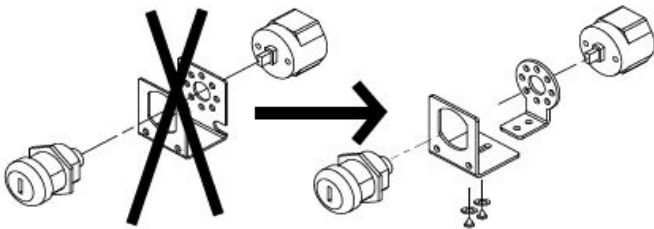
TYPE IX



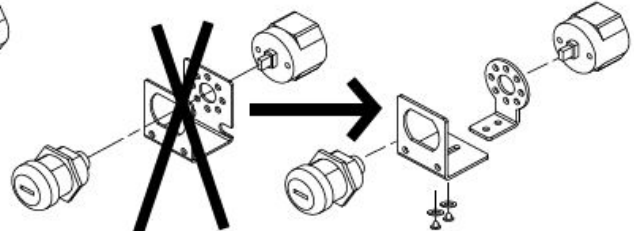
TYPE X



TYPE XI



TYPE XII

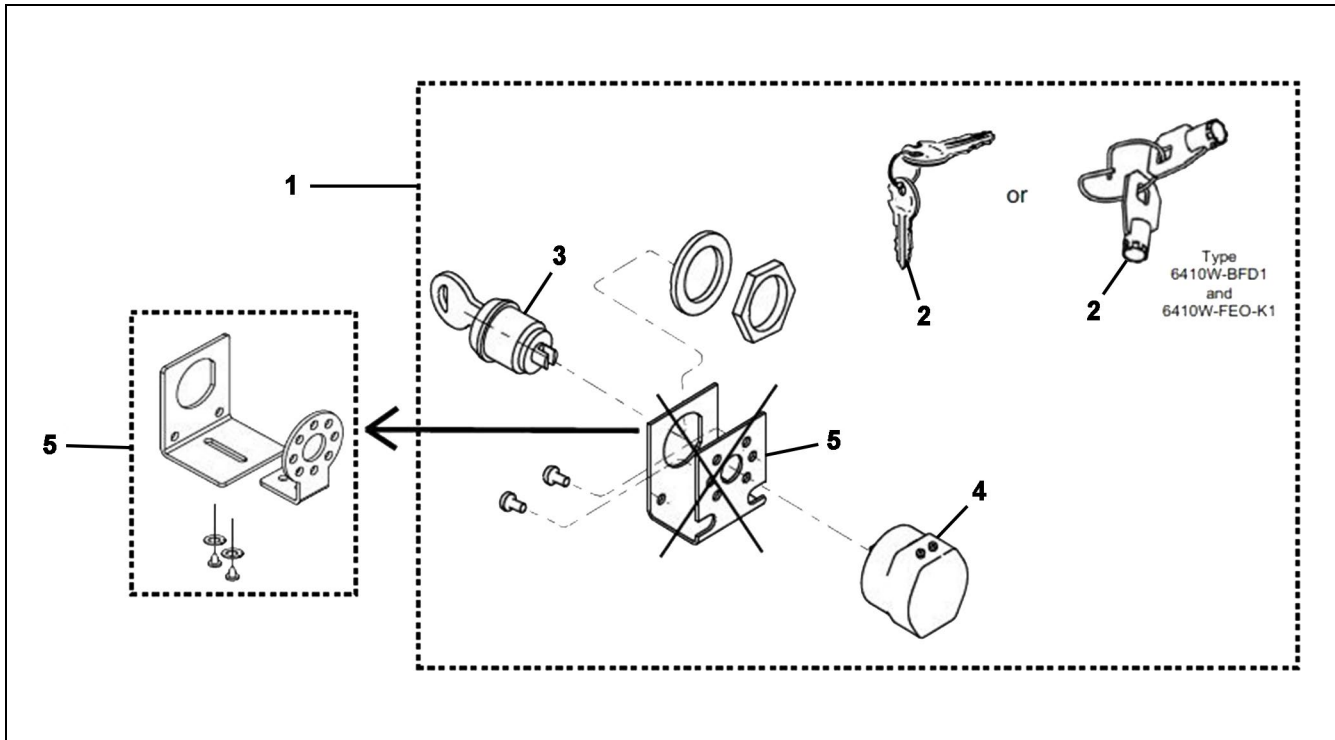


TYPE XIII

PAGE No.	DESCRIPTION
21	Keyswitch, Type IX
22	Keyswitch, Type X
23	Keyswitch, Type XI
24–25	Keyswitch, Type XII
26	Keyswitch, Type XIII

Type I Keyswitch Assemblies

31-AAA6410AB



Type I		Ref. No. 1		Ref. No. 2		Ref. No. 3		Ref. No. 4	Ref. No. 5
KEYSWITCH ASSEMBLY		KEY		* LOCK		** SWITCH		BRACKET	
Part No.	Initial Application	Mark	Part No.	Key Pull	Part No.	Part No.	Part No.	Part No.	
ABA6410AB1	SES Ph. I, ANSI	UTF	6410W-UTF	Center CW	AAA431AF9	ABA636A6	AAA316KCT11		
ABA6410AB5	SES Ph. I, CT	BFD1	6410W-BFD1	Center CW	AAA00431AAF001	ABA636A6	AAA316KCT13		
ABA6410AB6	SES Ph. II, ANSI	UTF	6410W-UTF	Center CW, CCW	AAA431AF3	ABA636A7	AAA316KCT11		
ABA6410AB8	SES Ph. II, CA	UTF	6410W-UTF	Center	AAA431AF7	ABA636A9	AAA316KCT11		
ABA6410AB10	SES Ph. II, CT	BFD1	6410W-BFD1	Center CW, CCW	AAA00431AAF002	ABA636A7	AAA316KCT13		
ABA6410AB11	In-Car Stop	UTA	6410W-UTA	Center CW, CCW	AAA431AF1	ABA636A10	AAA316KCT11		
ABA6410AB12	Fan, 2-Speed	UTA	6410W-UTA	Center CW, CCW	AAA431AF1	ABA636A4	AAA316KCT11		
ABA6410AB13	SES Ph. I Remote, ANSI	UTF	6410W-UTF	Center CW	AAA431AF9	ABA636A5	AAA316KCT11		
ABA6410AB15	SES Ph. I Remote, CT	UTF	6410W-BFD1	Center CW	AAA00431AAF001	ABA636A5	AAA316KCT13		

* Fastening hardware supplied with lock. For detailed listing of locks, See SPL 31-AAA431AF.

** For detailed listing of switches, See SPL 31-AAA636A.

(Continued on next page)

Type I Keyswitch Assemblies

31-AAA6410AB

Type I							
Ref. No. 1		Ref. No. 2		Ref. No. 3		Ref. No. 4	Ref. No. 5
KEYSWITCH ASSEMBLY		KEY		* LOCK		** SWITCH	BRACKET
Part No.	Initial Application	Mark	Part No.	Key Pull	Part No.	Part No.	Part No.
ABA6410AB25	Hospital Service	UTD	6410W-UTD	Center CW, CCW	AAA431AF2	ABA636A5	AAA316KCT11
ABA6410AB26	Security-Car	UTB	6410W-UTB	Center	AAA431AF5	ABA636A1	AAA316KCT11
ABA6410AB27	Inspection Initiation Independent Service	UTA	6410W-UTA	Center CW, CCW	AAA431AF1	ABA636A5	AAA316KCT11
ABA6410AB28	Inspection Initiation Canada	UTE	6410W-UTE	Center CW	AAA431 AF18	ABA636A5	AAA316KCT11
ABA6410AB29	Emergency Power	UTF	6410W-UTF	Center CW, CCW	AAA431AF3	ABA636A8	AAA316KCT
ABA6410AB30	Park, Car-to-Lobby (C-T-L)	UTA	6410W-UTA	Center	AAAA431 AF4	ABA636A11	AAA316KCT11
ABA6410AB31	Access	UTE	6410W-UTE	Center	AAAA431 AF6	ABA636A2	AAA316KCT11
ABA6410AB38	In-Car-Stop, (B44)	UTE	6410W-UTE	Center CW	AAA431AF18	ABA636A10	AAA316KCT
ABA6410AB40	SES Ph. I, Automatic, (B44)	UTF	6410W-UTF	Center CW, CCW	AAA431AF3	ABA636A6	AAA316KCT11
ABA6410AB44	Attendant	UTC	6410W-UTC	Center CW	AAA431AF8	ABA636A5	AAA316KCT11
ABA6410AB45	Express Priority	UTD	6410W-UTD	Center	AAA431AF22	ABA636A3	AAA316KCT11
ABA6410AB46	Wild Car	UTA	6410W-UTA	Center CW, CCW	AAA431AF1	ABA636A5	AAA316KCT11
ABA6410AB49	SES Ph. I & II, Chicago	5957 (SA)	VP-797110	Center	AAA431AK6	ABA636A9	AAA316KCT11
ABA6410AB50	SES Ph. I NYC	2642	VP-797120	Center CCW	AAA431AK9	ABA636A9	AAA316KCT14
ABA6410AB51	SES Ph. I MA & Maine	3502	VP-797130	Center CW	AAA431AK18	ABA636A6	AAA316KCT15
ABA6410AB52	SES Ph. II NYC (1987)	2642	VP-797120	Center CCW	AAA431AK9	ABA636A7	AAA316KCT14

* Fastening hardware supplied with lock. For detailed listing of locks, See SPL 31-AAA431AF & SPL 31-AAA431AK.

** For detailed listing of switches, See SPL 31-AAA636A.

(Continued on next page)

Type I Keyswitch Assemblies

31-AAA6410AB

Type I							
Ref. No. 1		Ref. No. 2		Ref. No. 3		Ref. No. 4	Ref. No. 5
KEYSWITCH ASSEMBLY		KEY		* LOCK		** SWITCH	BRACKET
Part No.	Initial Application	Mark	Part No.	Key Pull	Part No.	Part No.	Part No.
ABA6410AB53	SES Ph. II MA & Maine	3502	VP-797130	Center CW, CCW	AAA431AK15	ABA636A7	AAA316KCT15
ABA6410AB54	SES Ph. I Remote, MA & Maine	3502	VP-797130	Center CW	AAA431AK18	ABA636A5	AAA316KCT15
ABA6410AB64	SES Ph. II NYC (1991)	2642	VP-797120	Center CCW	AAA431AK9	ABA636A7	AAA316KCT14
ABA6410AB80	Floor Cutout	UTC	6410W-UTC	Center CW	AAA431AF23	ABA636A9	AAA316KCT11
ABA6410AB93	ANSI SES I	UTF	6410W-UTF	Center CW	AAA431AF9	ABA636A6	AAA316KCT11
ABA6410AB94	ANSI SES II	UTF	6410W-UTF	Center CW	AAA431AF3	ABA636A7	AAA316KCT11
ABA6410AB95	Calif. SES II	UTF	6410W-UTF	Center	AAA431AF7	ABA636A9	AAA316KCT11
ABA6410AB96	In-Car Stop (ANSI)	UTA	6410W-UTA	Center CW	AAA431AF1	ABA636A10	AAA316KCT11
ABA6410AB97	2-Speed Fan	UTA	6410W-UTA	Center CW	AAA431AF1	ABA636A4	AAA316KCT11
ABA6410AB98	ANSI Remote SES I	UTF	6410W-UTF	Center CW	AAA431AF9	ABA636A5	AAA316KCT11
ABA6410AB99	Hospital Service	UTD	6410W-UTD	Center CW, CCW	AAA431AF2	ABA636A5	AAA316KCT11
ABA6410AB100	Security-Car	UTB	6410W-UTB	Center	AAA431AF5	ABA636A1	AAA316KCT11
ABA6410AB101	Insp. Init. Ind. Serv.	UTA	6410W-UTA	Center CW	AAA431AF1	ABA636A5	AAA316KCT11
ABA6410AB102	Insp. Init. (Canada)	UTE	6410W-UTE	Center CW	AAA431AF18	ABA636A5	AAA316KCT11
ABA6410AB103	Emerg. Pwr.	UTF	6410W-UTF	Center CW, CCW	AAA431AF3	ABA636A8	AAA316KCT11
ABA6410AB104	Park Car-to-Lobby	UTA	6410W-UTA	Center	AAA431AF4	ABA636A11	AAA316KCT11
ABA6410AB105	Access	UTE	6410W-UTE	Center	AAA431AF6	ABA636A2	AAA316KCT11
ABA6410AB106	In-Car Stop (B44)	UTE	6410W-UTE	Center CCW	AAA431AF18	ABA636A10	AAA316KCT11
ABA6410AB107	B44 SES I Auto	UTF	6410W-UTF	Center CW, CCW	AAA431AF3	ABA636A6	AAA316KCT11
ABA6410AB108	Attendant	UTC	6410W-UTC	Center CCW	AAA431AF8	ABA636A5	AAA316KCT11
ABA6410AB109	Express Priority	UTD	6410W-UTD	Center	AAA431AF22	ABA636A3	AAA316KCT11
ABA6410AB110	Wild Car	UTA	6410W-UTA	Center CCW	AAA431AF1	ABA636A5	AAA316KCT11
ABA6410AB111	NYC Standby Power	YALE 2642	VP-797120	Center CW	AAA431AK9	ABA636A5	AAA316KCT14

* Fastening hardware supplied with lock. For detailed listing of locks, See SPL 31-AAA431AF.

** For detailed listing of switches, See SPL 31-AAA636A.

(Continued on next page)

Type I Keyswitch Assemblies

31-AAA6410AB

Type I		Ref. No. 2		Ref. No. 3		Ref. No. 4	Ref. No. 5
KEYSWITCH ASSEMBLY		KEY		* LOCK		** SWITCH	BRACKET
Part No.	Initial Application	Mark	Part No.	Key Pull	Part No.	Part No.	Part No.
ABA6410AB112	Emerg. Power	UTA	6410W-UTA	Center CW, CCW	AAA431AF1	ABA636A15	AAA316KCT11
ABA6410AB113	SES Phase I ANSI (401)	UTF	6410W-UTF	Center CCW	AAA431AF9	ABA636A16	AAA316KCT11
ABA6410AB117	Emerg. Power	UTF	6410W-UTF	Center CW, CCW	AAA431AF3	ABA636A15	AAA316KCT11
ABA6410AB118	Emerg. Power SES Phase II, ANSI	UTF	6410W-UTF	Center CW, CCW	AAA431AF12	ABA636A18	AAA316KCT11
ABA6410AB121	SES Phase I, CT	BFD1	6410W-BFD1	Center CW	AAA00431AAF001	ABA636A16	AAA316KCT13
ABA6410AB122	SES Phase II, CT	BFD1	6410W-BFD1	Center CW, CCW	AAA00431AAF002	ABA636A18	AAA316KCT13
ABA6410AB125	Emerg. Power	UTA	6410W-UTA	Center CW, CCW	AAA431AF15	ABA636A18	AAA316KCT11
ABA6410AB126	NYC. SES II (1987)	YALE 2642	VP-797120	CW	AAA431AKI2	ABA636A9	AAA316KCT14
ABA6410AB127	Up/Down Hall Call	UTA	6410W-UTA	Center	AAA431AF4	ABA636A3	AAA316KCT11
ABA6410AB128	Light	UTB	6410W-UTB	Center CW	AAA431AF24	ABA636A10	AAA316KCT11
ABA6410AB129	Secure Access	UTG	6410W-UTG	Center	AAA431AF25	ABA636A1	AAA316KCT11
ABA6410AB130	2-Speed Fan	UTA	6410W-UTA	Center CW, CCW	AAA431AF15	ABA636A12	AAA316KCT11
ABA6410AB131	SES PH II, ASME A17.1/Can. B44	UTF	6410W-UTF	Center CW	AAA431AF17	ABA636A7	AAA316KCT11
ABA6410AB132	2-Speed Fan	UTA	6410W-UTA	Center CW CCW	AAA431AF15	ABA636A12	AAA316KCT11
ABA6410AB133	Access (Initiation)	UTH	6410W-UTH	Center CW	AAA431AF26	ABA636A5	AAA316KCT11
ABA6410AB134	SES Phase I, NH	YALE 3502	VP-797130	Center CW	AAA431AK18	ABA636A6	AAA316KCT14
ABA6410AB135	SES Phase I (Remote), NH	YALE 3502	VP-797130	Center CW	AAA431AK18	ABA636A5	AAA316KCT14
ABA6410AB136	SES Phase II, NH	YALE 3502	VP-797130	Center CW	AAA431AK16	ABA636A7	AAA316KCT14
ABA6410AB139	SES Phase II, CT	BFD1	6410W-BFD1	Center CCW	AAA00431AAF003	ABA636A7	AAA316KCT14
ABA6410AB143	SES I—A17.1/CAN B44 2006	FEO-K1	6410W-FEO-K1	Center CW	AAA00431AAF004	ABA636A6	AAA316KCT13
ABA6410AB144	Remote SES I—A17.1/CAN B44 2006	FEO-K1	6410W-FEO-K1	Center CW	AAA00431AAF004	ABA636A5	AAA316KCT13
ABA6410AB147	Emergency Power—ANSI/B44—2006	FEO-K1	6410W-FEO-K1	Center CW, CCW	AAA00431AAF005	ABA636A8	AAA316KCT13
ABA6410AB177	Access – A17.1/CAN B44 2013	UTH	6410W-UTH	Center	AAA431AF27	ABA636A2	AAA316KCT12

* Fastening hardware supplied with lock. For detailed listing of locks, See SPL 31-AAA431AF and SPL 31-AAA431AK.

** For detailed listing of switches, See SPL 31-AAA636A.

(Continued on next page)

Type I Keyswitch Assemblies

31-AAA6410AB

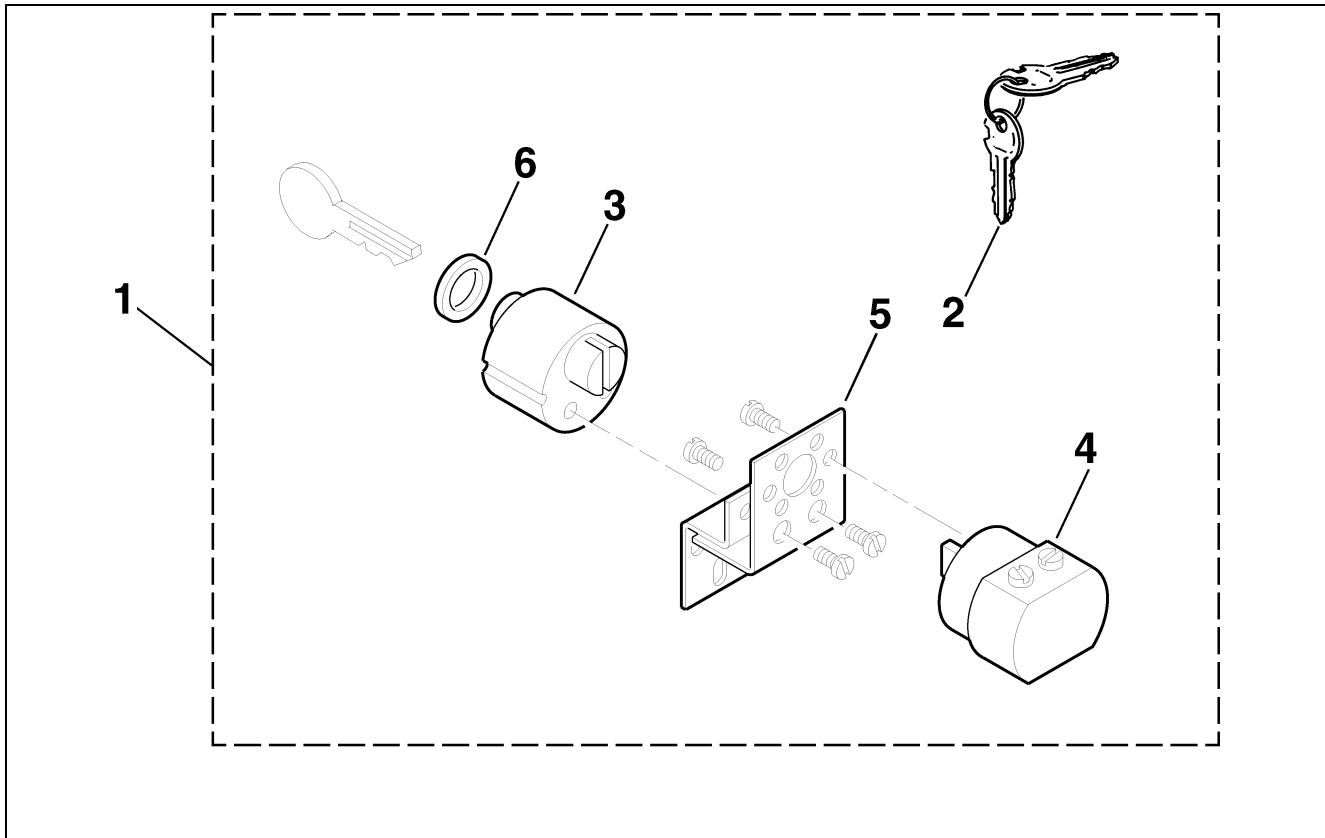
Type I							
Ref. No. 1		Ref. No. 2		Ref. No. 3		Ref. No. 4	Ref. No. 5
KEYSWITCH ASSEMBLY		KEY		* LOCK		** SWITCH	BRACKET
Part No.	Initial Application	Mark	Part No.	Key Pull	Part No.	Part No.	Part No.
ABA6410AB178	SES Phase I, AZ	AZFS	6410W-AZFS	Center CW	AAA431AF28	ABA636A6	AAA316KCT11
ABA6410AB179	SES Phase I Remote, AZ	AZFS	6410W-AZFS	Center CW	AAA431AF28	ABA636A5	AAA316KCT11
ABA6410AB180	SES Phase II, AZ	AZFS	6410W-AZFS	Center CCW	AAA431AF29	ABA636A7	AAA316KCT11
ABA6410AB181	Emergency Power, AZ	AZFS	6410W-AZFS	Center, CW, CCW	AAA431AF32	ABA636A8	AAA316KCT12

* Fastening hardware supplied with lock. For detailed listing of locks, See SPL 31-AAA431AF.

** For detailed listing of switches, See SPL 31-AAA636A.

Type II Keyswitch Assemblies

31-AAA6410AB



Type II								
Ref. No. 1		Ref. No. 2		Ref. No. 3		Ref. No. 4	Ref. No. 5	Ref. No. 6
KEYSWITCH ASSEMBLY		KEY		* LOCK		** SWITCH	BRACKET	*** COLLAR
Part No.	Initial Application	Mark	Part No.	Key Pull	Part No.	Part No.	Part No.	Part No.
ABA6410AB2	SES Ph. I & II, Chicago	5957 (SA)	VP-797110	Center	A431C31	ABA636A9	AAA316FED1	---
ABA6410AB3	SES Ph. I, NYC	2642	VP-797120	Center CCW	A431C32	ABA636A9	AAA316FED1	---
ABA6410AB4	SES Ph. I, MA	3502	VP-797130	Center CW	A431C35	ABA636A6	AAA316FED1	---
ABA6410AB7	SES Ph. II, NYC, 1987	2642	VP-797120	Center	A431C33	ABA636A9	AAA316FED1	---
ABA6410AB9	SES Ph. II, MA	3502	VP-797130	Center CW, CCW	A431C36	ABA636A7	AAA316FED1	---
ABA6410AB14	SES Ph. I, Remote, MA	3502	VP-797130	Center CW	A431C35	ABA636A5	AAA316FED1	---
ABA6410AB16	SES Ph. II, ANSI	5957 (SA)	VP-797110	Center CW, CCW	A431C37	ABA636A7	AAA316FED4	340AA3 Off-Hold-On FIRE SERV

* Fastening hardware supplied with lock. For detailed listing of locks, See SPL 31-AAA431AF.

** For detailed listing of switches, See SPL 31-AAA636A.

*** For detailed listing of collars, See SPL 31-AAA340AA.

(Continued on next page)

Type II Keyswitch Assemblies

31-AAA6410AB

Type II								
Ref. No. 1		Ref. No. 2		Ref. No. 3		Ref. No. 4	Ref. No. 5	Ref. No. 6
KEYSWITCH ASSEMBLY		KEY		* LOCK		** SWITCH	BRACKET	*** COLLAR
Part No.	Initial Application	Mark	Part No.	Key Pull	Part No.	Part No.	Part No.	Part No.
ABA6410AB17	SES Ph. II, Chicago	5957 (SA)	VP-797110	Center	A431C31	ABA636A9	AAA316FED4	340AA3 Off-On FIRE – SERV
ABA6410AB18	SES Ph. II, NYC	2642	VP-797120	CCW	A431C33	ABA636A9	AAA316FED4	340AA3 Norm-FIRE – SERV
ABA6410AB19	SES Ph. II, MA	3502	VP-797130	Center CW, CCW	A431C36	ABA636A7	AAA316FED4	340AA3 Off-Hold-On FIRE – SERV
ABA6410AB20	SES Ph. I, ANSI	5957 (SA)	VP-797110	Center CW	A431C38	ABA636A6	AAA316FED4	340AA3 BYP-Off-On FIRE – SERV
ABA6410AB21	SES Ph. I & Remote, NYC	2642	VP-797120	Center CCW	A431C32	ABA636A9	AAA316FED4	340AA3 Norm-FIRE – SERV
ABA6410AB22	SES Ph. I, MA	3502	VP-797130	Center CW	A431C35	ABA636A6	AAA316FED4	340AA3 BYP-Off-On FIRE – SERV
ABA6410AB23	SES Ph. I-Remote, MA	3502	VP-797130	Center CW	A431C35	ABA636A9	AAA316FED4	340AA3 Off-On FIRE – SERV
ABA6410AB24	SES Ph. I-Remote, ANSI	5957 (SA)	VP-797110	Center CW	A431C38	ABA636A9	AAA316FED4	340AA3 Off-On FIRE-SERV
ABA6410AB32	Inspect-Ind. Svc-Hosp. Svc Light-Fan-Light Ray	27248GA	VP-796905	Center CW	A431C39	ABA636A5	AAA316FED4	SEE SPL 31-340AA SEPARATE ORDER
ABA6410AB33	Inspection Initiation (B44)	14398GB	VP-797050	Center CW	A431C40	ABA636A5	AAA316FED4	340AA2 Off-Ins-CAR TOP
ABA6410AB34	Fan, 2-Speed	27248GA	VP-796905	Center CW, CCW	A431C41	ABA636A4	AAA316FED4	340AA2 LO-OFF HIGH-FAN
ABA6410AB35	In-Car Stop	27248GA	VP-796905	Center CW	A431C39	ABA636A10	AAA316FED4	340AA2 STOP-RUN
ABA6410AB36	Access	14398GB	VP-797050	Center	A431C42	ABA636A2	AAA316FED4	340AA2 ACCESS-U-D-OFF
ABA6410AB37	Park, Car-to-Lobby (C-T-L)	27248GA	VP-796905	Center	A431C43	ABA636A11	AAA316FED4	340AA2 PARK-OFF LOBBY

* Fastening hardware supplied with lock. For detailed listing of locks, See SPL 31-AAA431AF.

** For detailed listing of switches, See SPL 31-AAA636A.

*** For detailed listing of collars, See SPL 31-AAA340AA.

(Continued on next page)

Type II Keyswitch Assemblies

31-AAA6410AB

Type II								
Ref. No. 1		Ref. No. 2		Ref. No. 3		Ref. No. 4	Ref. No. 5	Ref. No. 6
KEYSWITCH ASSEMBLY		KEY		* LOCK		** SWITCH	BRACKET	*** COLLAR
Part No.	Initial Application	Mark	Part No.	Key Pull	Part No.	Part No.	Part No.	Part No.
ABA6410AB39	In-Car Stop (B44)	14398GB	VP-797050	Center CW	A431C40	ABA636A10	AAA316FED4	340AA2 STOP-RUN
ABA6410AB41	SES Ph. I, Auto. (B44)	5957 (SA)	VP-797110	Center CW, CCW	A431C37	ABA636A6	AAA316FED4	340AA3OFF -AUTO- ON
ABA6410AB42	SES Ph. I, Manual (B44)	5957 (SA)	VP-797110	Center CW	A431C38	ABA636A9	AAA316FED4	340AA3 OFF-ON
ABA6410AB43	SES Ph. II (B44)	5957 (SA)	VP-797110	Center CW, CCW	A431C37	ABA636A7	AAA316FED4	340AA3 OFF-HOLD-ON
ABA6410AB47	SES Ph. II, NYC	2642	VP-797120	Center CCW	A431C32	ABA636A7	AAA316FED1	—
ABA6410AB48	SES Ph. II, NYC	2642	VP-797120	Center CCW	A431C32	ABA636A7	AAA316FED4	340AA3 NORM-HOLD-FIRE-SERV
ABA6410AB114	SES Ph. I, Chicago	Yale 5957	VP-797110	Center	A431C31	ABA636A17	AAA316FED1	---
ABA6410AB115	SES Ph. II, NYC	Yale 2642	VP-797120	Center CCW	A431C32	ABA636A17	AAA316FED1	---
ABA6410AB116	SES Ph. II, Chicago	5957	VP-797110	Center	A431C31	ABA636A17	AAA316FED1	---
ABA6410AB123	SES Ph. I, MA	3502	VP-797130	Center CW	A431C35	ABA636A16	AAA316FED1	---
ABA6410AB124	SES Ph. II, MA	3502	VP-797130	Center CW, CCW	A431C36	ABA636A18	AAA316FED1	---
ABA6410AB119	SES Ph. I, NYC-1987	2642	VP-797120	Center, CCW	A431C32	ABA636A17	AAA316FED1	---
ABA6410AB120	SES Ph. II, NYC-1987	2642	VP-797120	Center	A431C33	ABA636A17	AAA316FED1	---

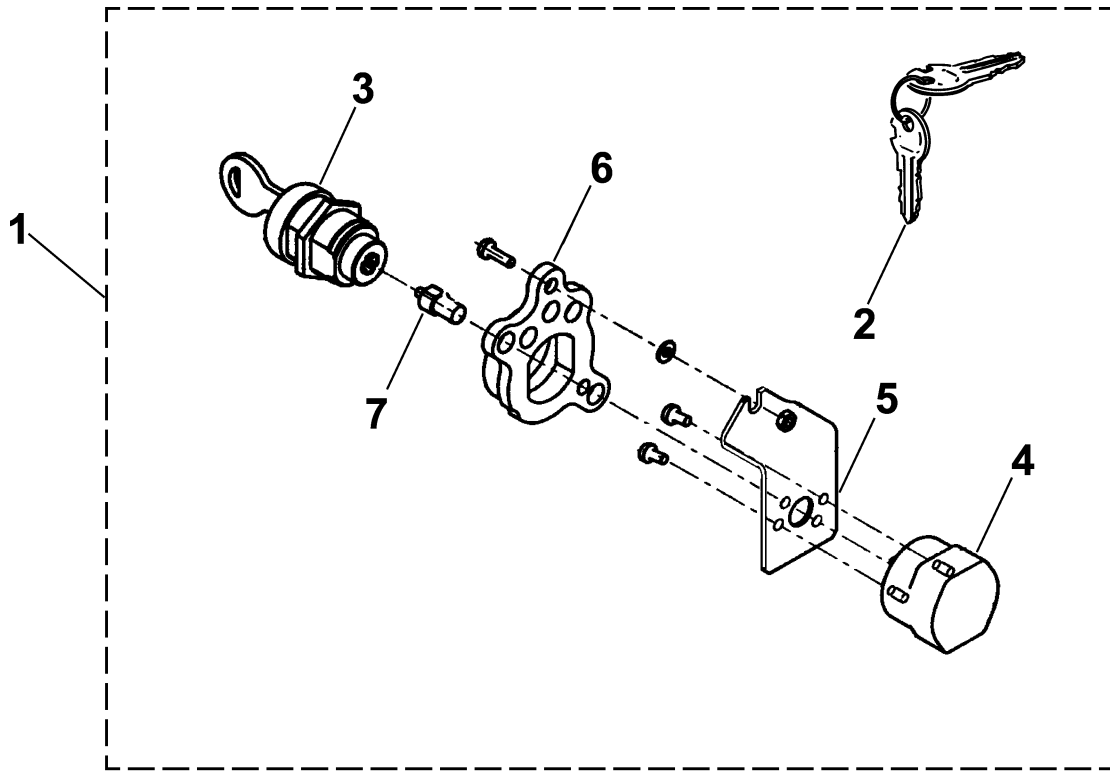
* Fastening hardware supplied with lock. For detailed listing of locks, See SPL 31-AAA431AF.

** For detailed listing of switches, See SPL 31-AAA636A.

*** For detailed listing of collars, See SPL 31-AAA340AA.

Type III Keyswitch Assemblies

31-AAA6410AB



Type III									
Ref. No. 1		Ref. No. 2		Ref. No. 3		Ref. No. 4	Ref. No. 5	Ref. No. 6	Ref. No. 7
KEYSWITCH ASSEMBLY		KEY		* LOCK		** SWITCH	BRACKET	*** COLLAR	LED
Part No.	Initial Application	Mark	Part No.	Key Pull	Part No.	Part No.	Part No.	Part No.	Part No.
ABA6410AB55	SES Ph. II-ANSI	5957 (SA)	VP-797110	Center CW, CCW	AAA431AK1	ABA636A7	AAA316FDG2	AAA270CN7	–
ABA6410AB56	SES Ph. I & II Remote, Chicago	5957 (SA)	VP-797110	Center	AAA431AK6	ABA636A9	AAA316FDG2	AAA270CN3	AAA629AF1
ABA6410AB57	SES Ph. II- NYC 1987	2642	VP-797120	Center CCW	AAA431AK9	ABA636A9	AAA316FDG2	AAA270CN6	AAA629AF1
ABA6410AB58	SES Ph. II MA & MAINE	3502	VP-797130	Center CW,CCW	AAA431AK15	ABA636A7	AAA316FDG2	AAA270CN7	–
ABA6410AB59	SES Ph. I-ANSI	5957 (SA)	VP-797110	Center CW	AAA431AK4	ABA636A6	AAA316FDG2	AAA270CN6	–
ABA6410AB60	SES Ph. I & Remote, NYC	2642	VP-797120	Center CCW	AAA431AK9	ABA636A9	AAA316FDG2	AAA270CN25	AAA629AF1
ABA6410AB61	SES Ph. I MA & MAINE	3502	VP-797130	Center CW, CCW	AAA431AK18	ABA636A6	AAA316FDG2	AAA270CN6	AAA629AF1

* Fastening hardware supplied with lock. For detailed listing of locks, See SPL 31-AAA431AK.

** For detailed listing of switches, See SPL 31-AAA636A.

*** For detailed listing of collars, See SPL 31-AAA270BM.

(Continued on next page)

Type III Keyswitch Assemblies

31-AAA6410AB

Type III									
Ref. No. 1		Ref. No. 2		Ref. No. 3		Ref. No. 4	Ref. No. 5	Ref. No. 6	Ref. No. 7
KEYSWITCH ASSEMBLY		KEY		* LOCK		** SWITCH	BRACKET	*** COLLAR	LED
Part No.	Initial Application	Mark	Part No.	Key Pull	Part No.	Part No.	Part No.	Part No.	Part No.
ABA6410AB62	SES Ph. I Remote, MA & MAINE	3502	VP-797130	Center CW	AAA431AK18	ABA636A9	AAA316FDG2	AAA270CN3	AAA629AF1
ABA6410AB63	SES Ph. I Remote, ANSI	5957 (SA)	VP-797110	Center CW	AAA431AK4	ABA636A9	AAA316FDG2	AAA270CN3	---
ABA6410AB65	SES Ph. II, NYC 1991	2642	VP-797120	Center CCW	AAA431AK9	ABA636A7	AAA316FDG2	AAA270CN26	---
ABA6410AB66	Inspection Initiation	27248GA	VP-796905	Center CCW	AAA431AK22	ABA636A5	AAA316FDG2	AAA270CN21	---
ABA6410AB67	Fan, 2-Speed	27248GA	VP-796905	Center CW, CCW	AAA431AK23	ABA636A4	AAA316FDG2	AAA270CN20	---
ABA6410AB68	In-Car Stop	27248GA	VP-796905	Center CCW	AAA431AK22	ABA636A10	AAA316FDG2	AAA270CN22	---
ABA6410AB69	Inspection Init. (B44)	14398GB	VP-797050	Center CCW	AAA431AK25	ABA636A5	AAA316FDG2	AAA270CN21	---
ABA6410AB70	In-Car Stop (B44)	14398GB	VP-797050	Center CCW	AAA431AK25	ABA636A10	AAA316FDG2	AAA270CN22	---
ABA6410AB71	Access	14398GB	VP-797050	Center	AAA431AK26	ABA636A2	AAA316FDG2	AAA270CN24	---
ABA6410AB72	Park, C-T-L	27248GA	VP-796905	Center	AAA431AK24	ABA636A11	AAA316FDG2	AAA270CN23	---
ABA6410AB81	Hospital Service	27248GA	VP-797050	Center CCW	AAA431AK25	ABA636A5	AAA316FDG2	AAA270CN16	---
ABA6410AB82	Fan, 1-Speed	27248GA	VP-797050	Center CCW	AAA431AK25	ABA636A5	AAA316FDG2	AAA270CN17	---
ABA6410AB83	Light	27248GA	VP-797050	Center CCW	AAA431AK26	ABA636A5	AAA316FDG2	AAA270CN18	---
ABA6410AB84	Light Ray	27248GA	VP-796905	Center CCW	AAA431AK24	ABA636A5	AAA316FDG2	AAA270CN19	---
ABA6410AB85	Independent Svc.	27248GA	VP-796905	Center CCW	AAA431AK22	ABA636A5	AAA316FDG2	AAA270CN15	---

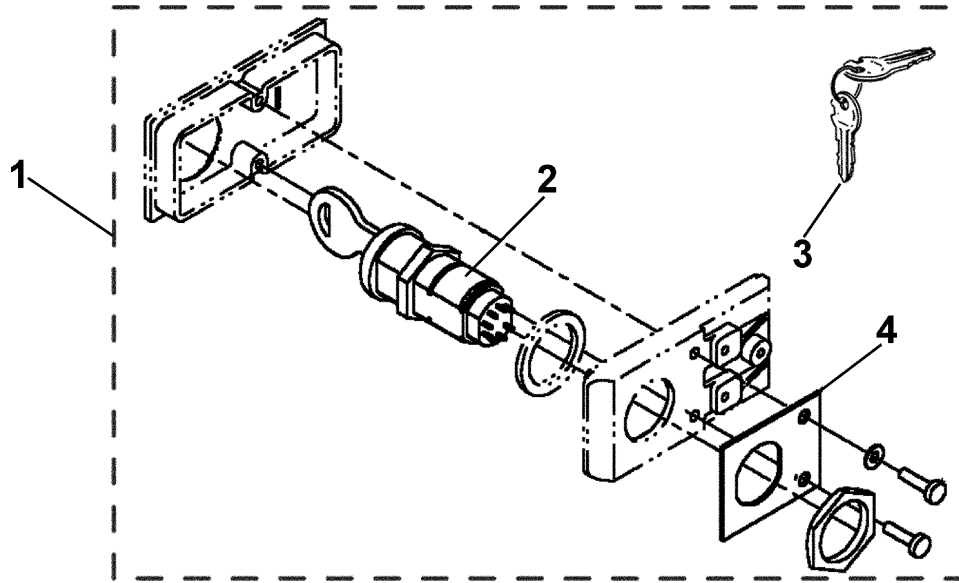
* Fastening hardware supplied with lock. For detailed listing of locks, See SPL 31-AAA431AK.

** For detailed listing of switches, See SPL 31-AAA636A.

*** For detailed listing of collars, See SPL 31-AAA270BM.

Type IV Keyswitch Assemblies

31-AAA6410AB

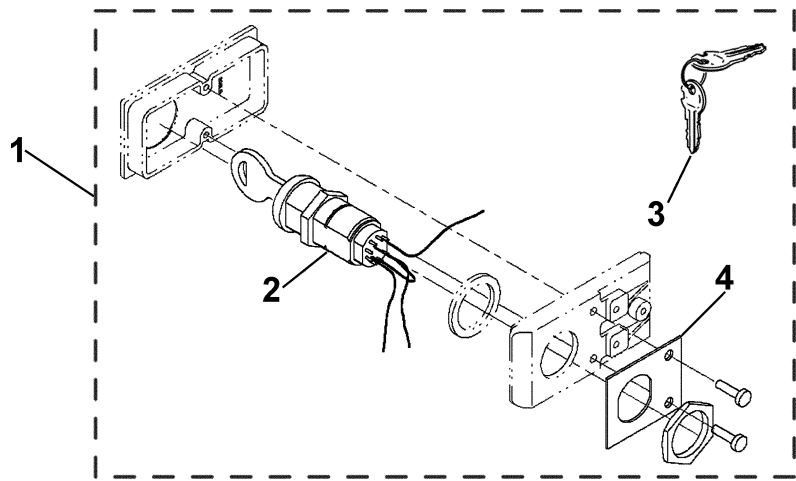


Type IV					
KEYSWITCH	APPLICATION	*SWITCH	KEY	MARKED	BRACKET
Ref. No. 1		Ref. No. 2	Ref. No. 3		Ref. No. 4
PART No.		PART No.			
ABA6410AB74	SES Ph. II, South Carolina, ANSI Pre-2000	AAA634D2	AAA634D-SC1000	SC1000	316DMD5
ABA6410AB137	SES Ph. II, South Carolina, ANSI 2000	AAA634D4	AAA634D-SC1000	SC1000	316DMD5
ABA6410AB86	SES Ph. I, Rhode Island	AAA634F1	AAA634F-WD01	WD01	316DMD5
ABA6410AB87	SES Ph. I Remote, Rhode Island	AAA634F3	AAA634F-WD01	WD01	316DMD5
ABA6410AB88	SES Ph. II, Rhode Island, ANSI 2000	AAA634F2	AAA634F-WD01	WD01	316DMD5
ABA6410AB138	SES Ph. II, Rhode Island, ANSI 2000	AAA634F4	AAA634F-WD01	WD01	316DMD5

* Fastening hardware supplied with switch. For detailed listing of AAA634AD & AAA634F switches, See SPL 31-AAA634C.

Type V Keyswitch Assemblies

31-AAA6410AB

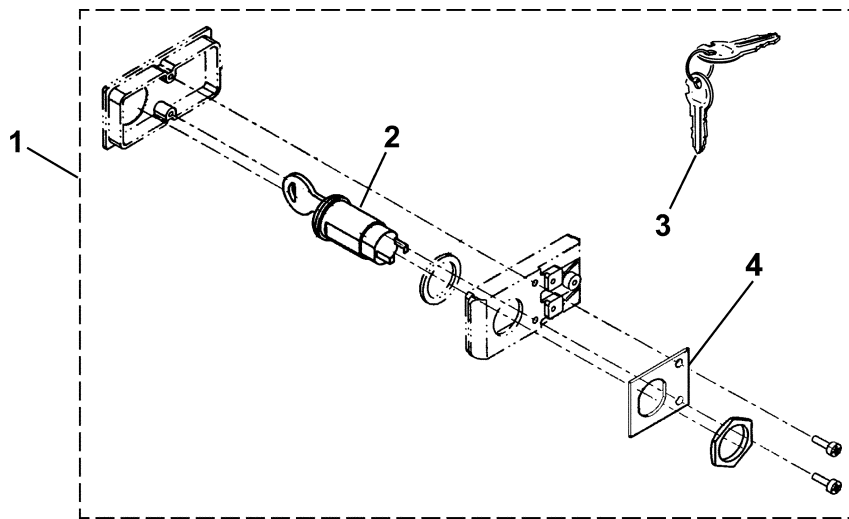


Type V					
KEYSWITCH	APPLICATION	*SWITCH	KEY	MARKED	BRACKET
Ref. No. 1		Ref. No. 2	Ref. No. 3		Ref. No. 4
PART No.		PART No.			
ABA6410AB73	SES Ph. I, South Carolina, ANSI Pre-2000	AAA634D1	AAA634D-SC1000	SC1000	316DMD5
ABA6410AB92	SES Ph. I Remote, South Carolina, ANSI Pre-2000	AAA634D3	AAA634D-SC1000	SC1000	316DMD5

* Fastening hardware supplied with switch. For detailed listing of AAA634D & AAA634F switches, See SPL 31-AAA634C.

Type VI Keyswitch Assemblies

31-AAA6410AB

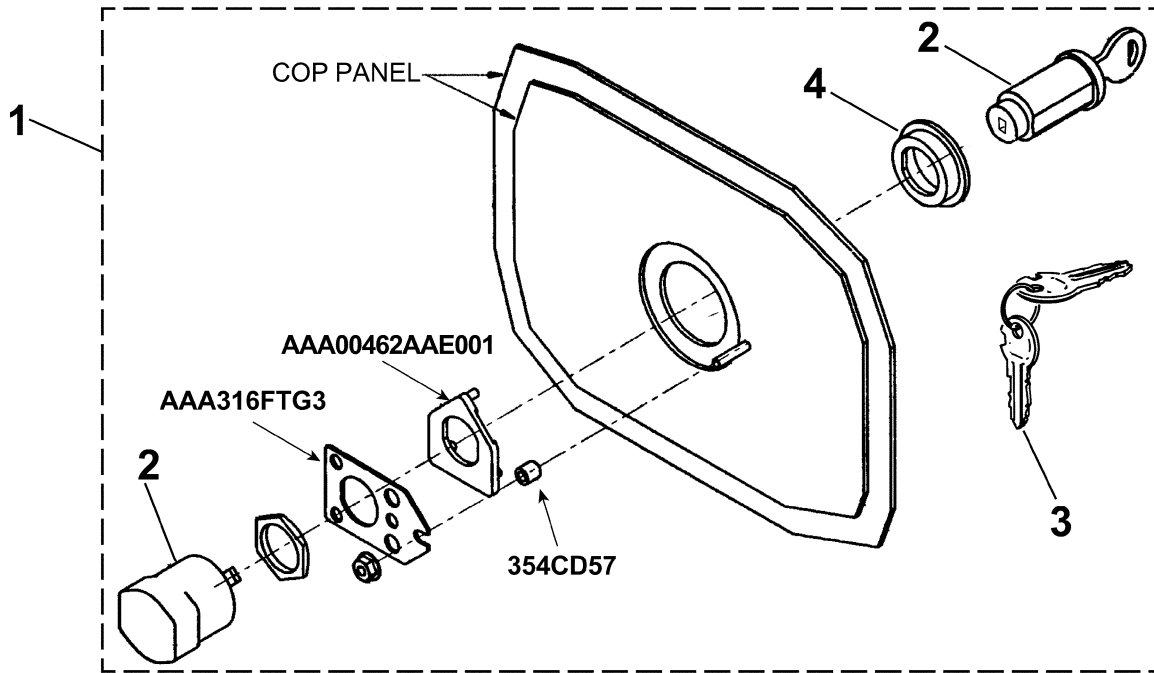


Type VI							
KEYSWITCH	APPLICATION	TYPE	SWITCH	MARK	* KEY	REMOVABLE	BRACKET
Ref. No. 1		Ref. No. 2			Ref. No. 3		Ref. No. 4
PART No.		PART No.					
ABA6410AB77	Group Security	SPST	6410W20	UTG	6410W-UTG	Center, CW	316DMD2
ABA6410AB78	Power	SPST	6410W3	UTA	6410W-UTA	Center, CW	316DMD2
ABA6410AB79	Floor Lockout	SPST	6410W10	UTC	6410W-UTC	Center, CW	316DMD5

* For detailed listing of 6410W keyswitch assembly, See SPL 31-6410W.

Type VII Keyswitch Assemblies

31-AAA6410AB



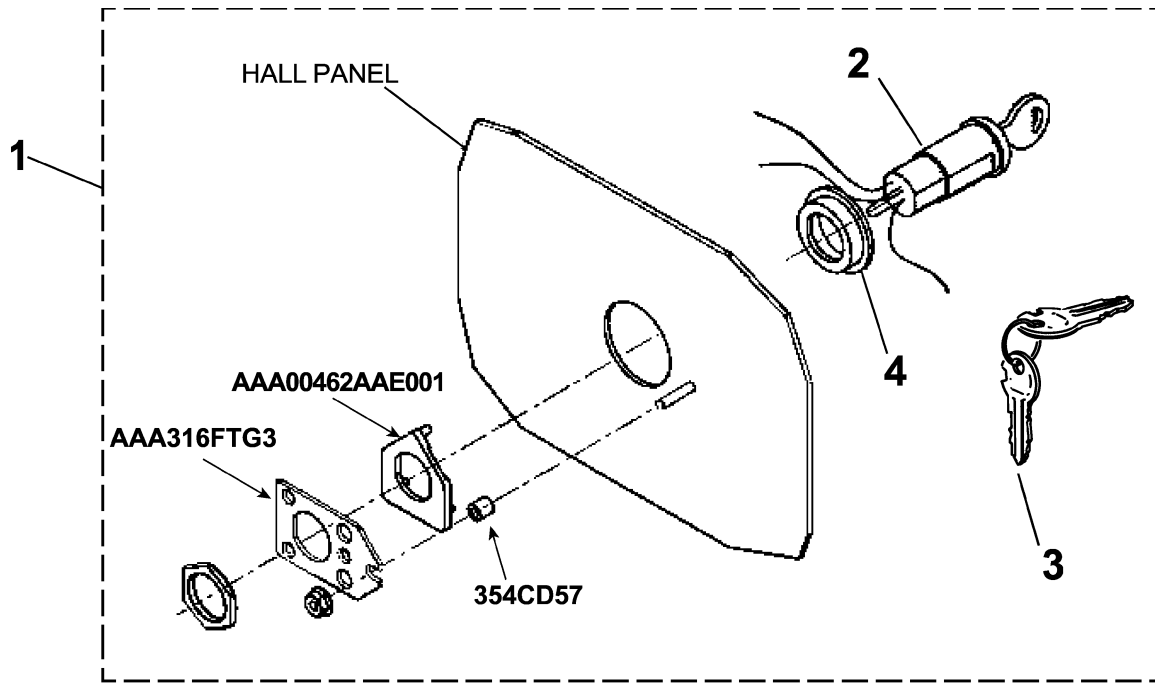
Type VII					
KEYSWITCH	APPLICATION	*SWITCH	KEY	MARKED	** COLLAR
Ref. No. 1		Ref. No. 2	Ref. No. 3		Ref. No. 4
PART No.		PART No.			
ABA6410AB76	SES Ph. II, South Carolina, ANSI Pre-2000	AAA634D2	AAA634D-SC-1000	SC-1000	AAA340BT33
ABA6410AB89	SES Ph. II, Rhode Island, ANSI Pre-2000	AAA634F2	AAA634F-WD01	WD01	AAA340BT33
ABA6410AB90	SES Ph. I, Rhode Island	AAA634F1	AAA634F-WD01	WD01	AAA340BT34
ABA6410AB91	SES Ph. I Remote, Rhode Island	AAA634F3	AAA634F-WD01	WD01	AAA340BT35

* Fastening hardware supplied with switch. For detailed listing of AAA634D & AAA634F switches, See SPL 31-AAA634C.

** For detailed listing of AAA340BT collars, See SPL 31-340AA.

Type VIII Keyswitch Assemblies

31-AAA6410AB



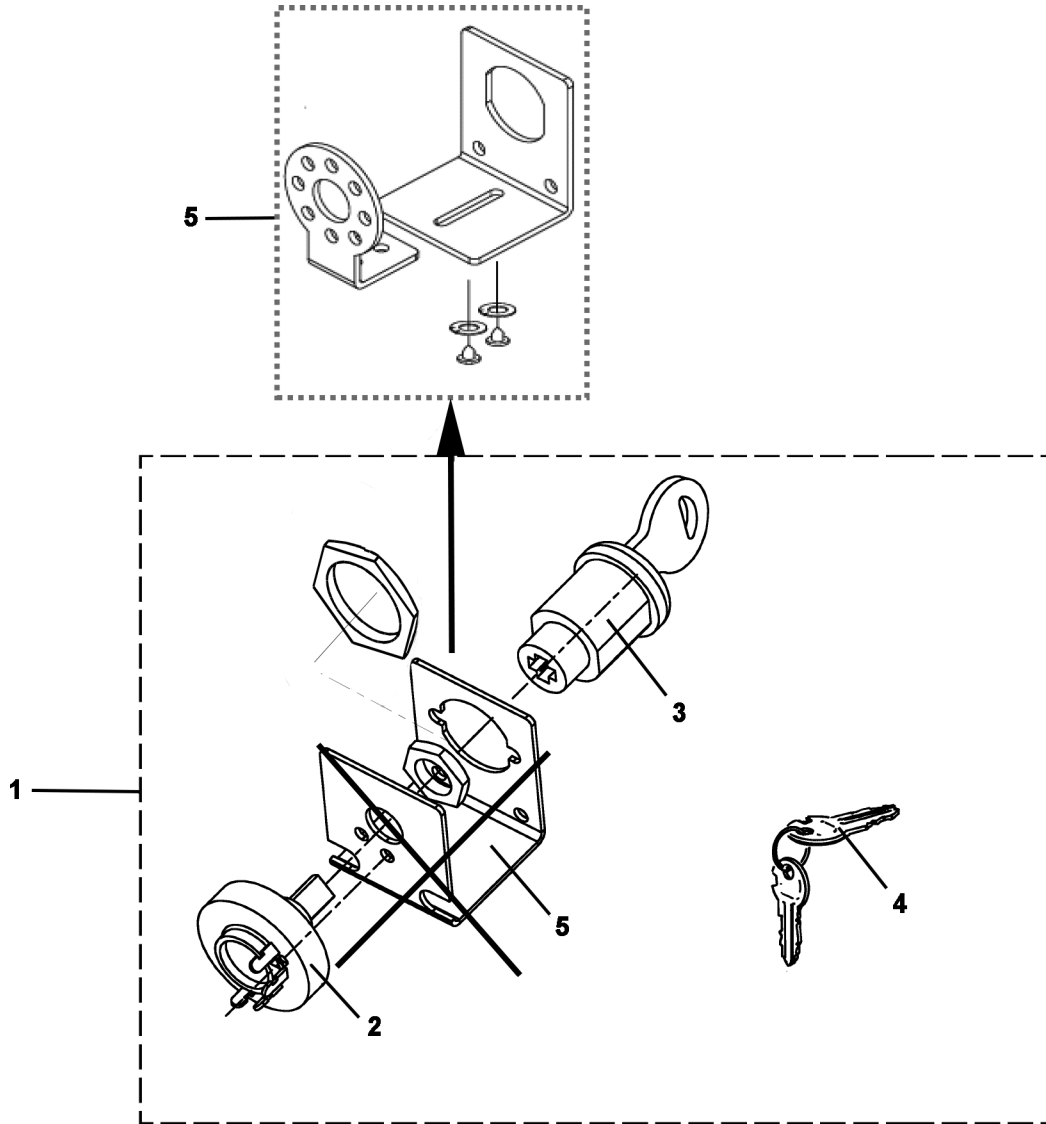
Type VIII					
KEYSWITCH	APPLICATION	*SWITCH	KEY	MARKED	** COLLAR
Ref. No. 1		Ref. No. 2	Ref. No. 3		Ref. No. 4
PART No.	PART No.				
ABA6410AB75	SES Ph. I, South Carolina	AAA634D1	AAA634D-SC1000	SC1000	AAA340BT32

* Fastening hardware supplied with switch. For detailed listing of AAA634D & AAA634F switches, See SPL 31-AAA634C.

** For detailed listing of AAA340BT collars, See SPL 31-340AA.

Type IX Keyswitch Assemblies

31-AAA6410AB

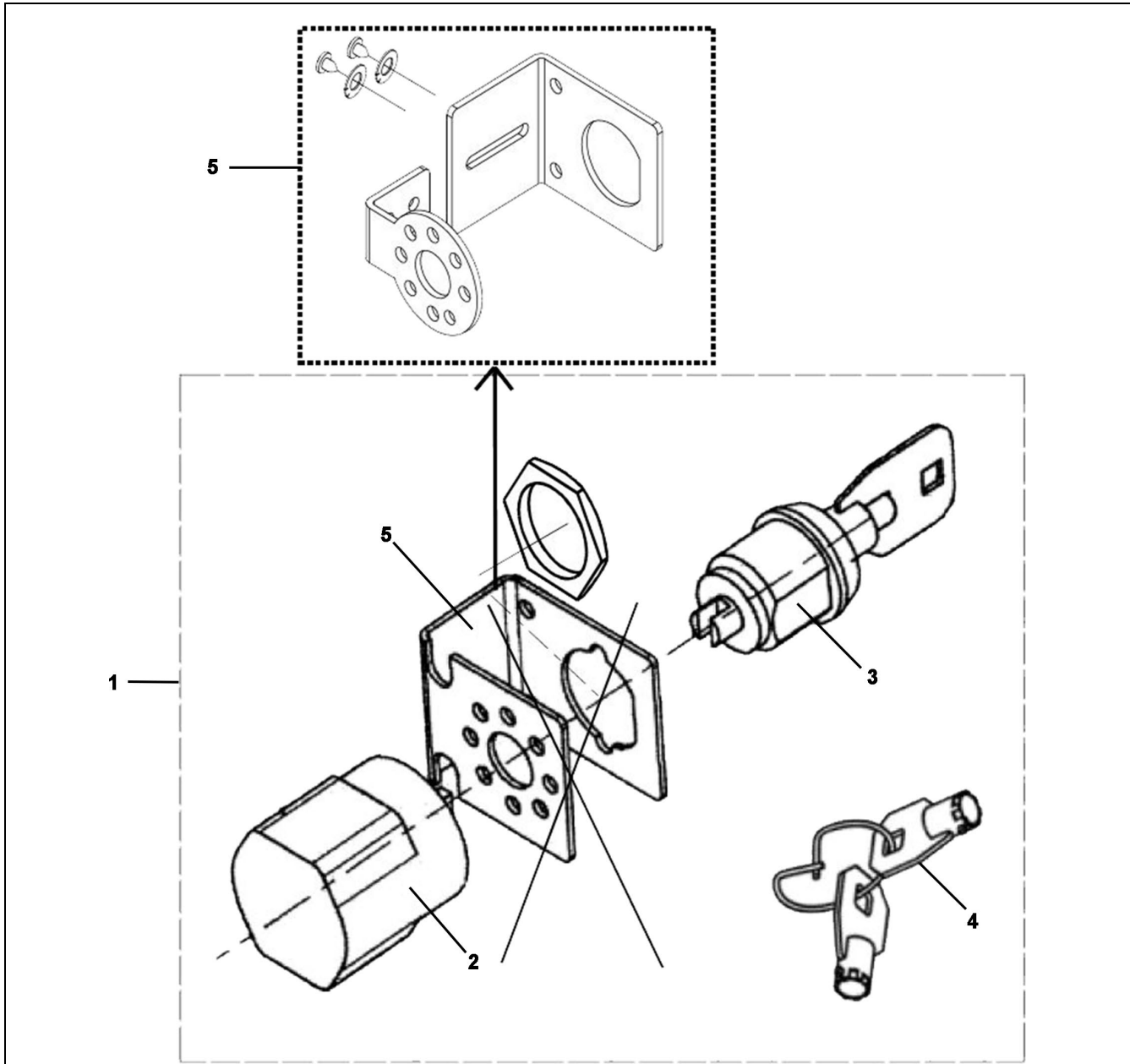


Type IX					
KEYSWITCH	APPLICATION	SWITCH	*LOCK	KEY	BRACKET
Ref. No. 1		Ref. No. 2	Ref. No. 3	Ref. No. 4	Ref. No. 5
PART No.		PART No.	PART No.	PART No.	PART No.
ABA6410AB140	Fan Switch (1-speed)	177CC1	AAA431AF1	UTA	AAA316KCT11
ABA6410AB142	Fan Switch (2-speed)	177CC1	AAA431AF1	UTA	
ABA6410AB141	Light Switch	177CC4	AAA431AF24	UTB	

* Fastening hardware supplied with lock. For detailed listing of locks, See SPL 31-AAA431AF.

Type X Keyswitch Assemblies

31-AAA6410AB

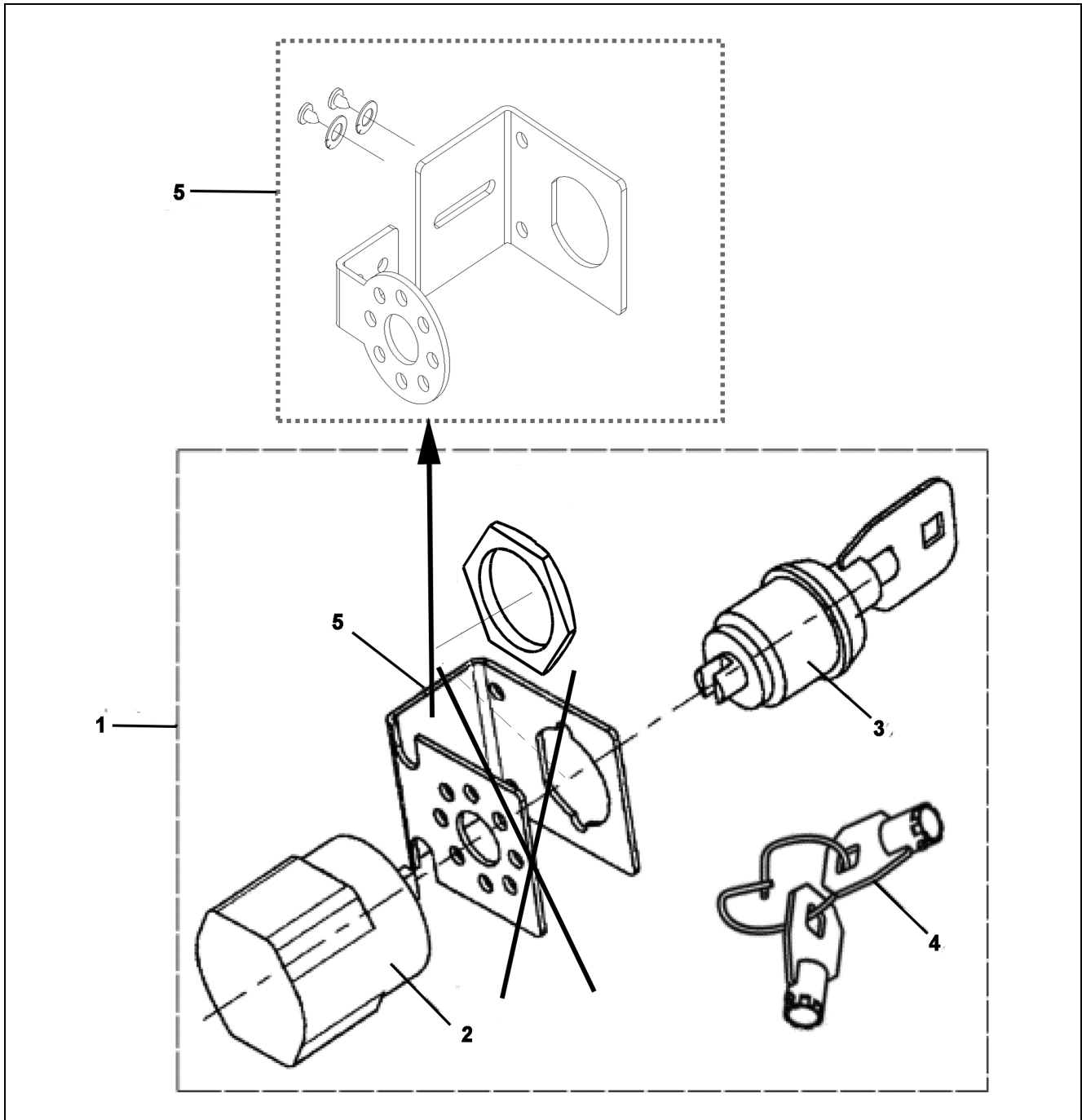


Type X					
KEYSWITCH	APPLICATION	SWITCH	*LOCK	KEY	BRACKET
Ref. No. 1		Ref. No. 2	Ref. No. 3	Ref. No. 4	Ref. No. 5
PART No.		PART No.	PART No.	PART No.	PART No.
ABA6410AB145	Emergency Power—ANSI/B44—2006	ABA636A8	AAA00431AAF005	6410W-FEO-K1	AAA316KCT16
ABA6410AB176	SES Phase II, ANSI/CAN B44 Pre-2006	ABA636A7	AAA00431AAF006	6410W-FEO-K1	AAA316KCT13

* Fastening hardware supplied with lock. For detailed listing of locks, See SPL 31-AAA431AF.

Type XI Keyswitch Assemblies

31-AAA6410AB

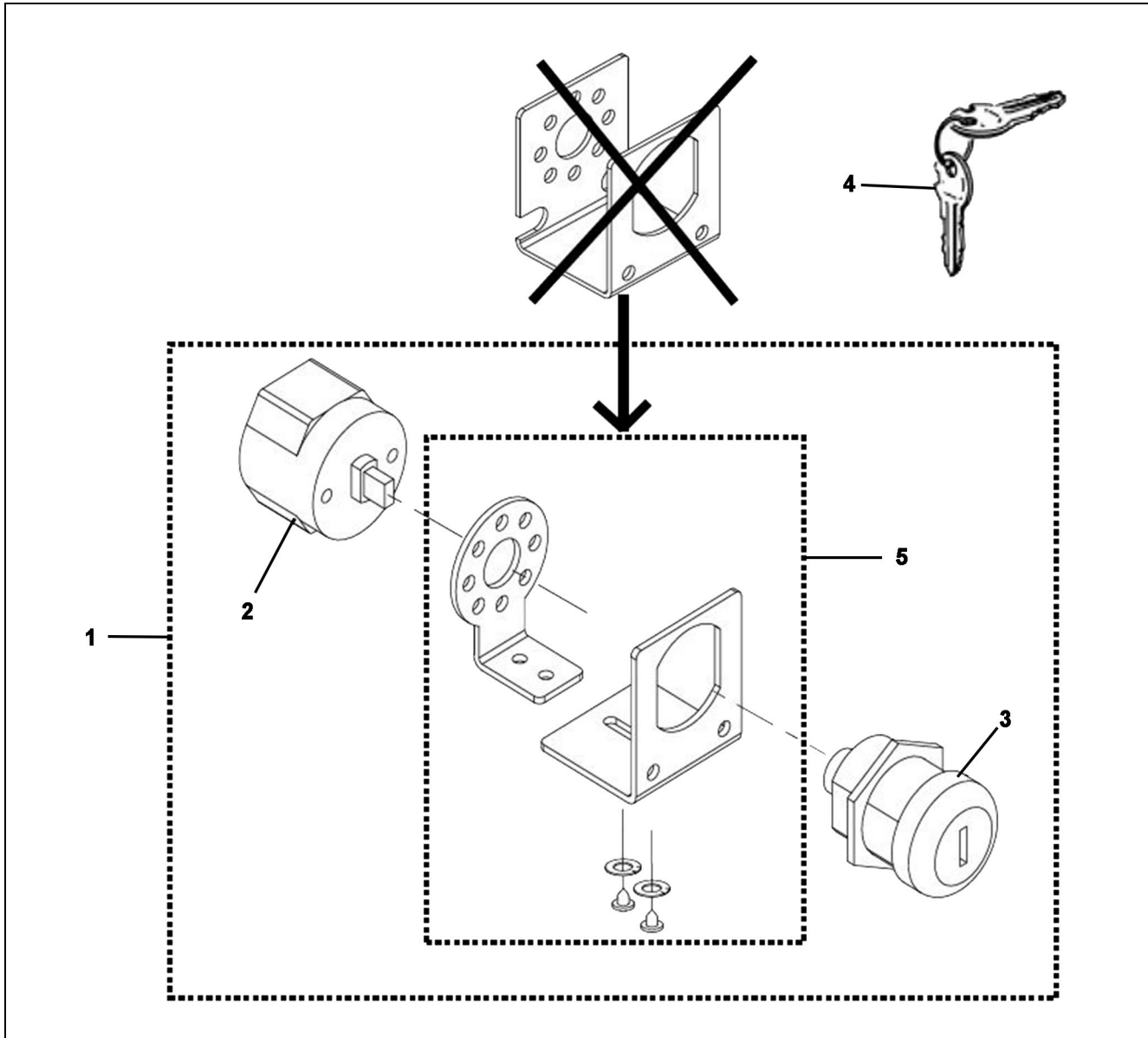


Type XI					
KEYSWITCH	APPLICATION	SWITCH	*LOCK	KEY	BRACKET
Ref. No. 1		Ref. No. 2	Ref. No. 3	Ref. No. 4	Ref. No. 5
PART No.		PART No.	PART No.	PART No.	PART No.
ABA6410AB146	Emergency Power—ANSI/B44—2006	ABA636A8	AAA00431AAF005	6410W-FEO-K1	AAA316KCT17

* Fastening hardware supplied with lock. For detailed listing of locks, See SPL 31-AAA431AF.

Type XII Keyswitch Assemblies

31-AAA6410AB



Type XII					
KEYSWITCH	APPLICATION	SWITCH	*LOCK	**KEY	BRACKET
Ref. No. 1		Ref. No. 2	Ref. No. 3	Ref. No. 4	Ref. No. 5
PART No.		PART No.	PART No.	PART No.	PART No.
ABA6410AB148	SES Ph. I, Florida Region 1	ABA636A6	AAA431AK31	R-80833-2006-1	AAA316KCT14
ABA6410AB149	SES Ph. I, Florida Region 2	ABA636A6	AAA431AK34	R-80833-2006-2	AAA316KCT14

* Fastening hardware supplied with lock. For detailed listing of locks, See SPL 31-AAA431AK.

** Florida keys not available from OSC; Contact the local Authority Having Jurisdiction (AHJ) to find an authorized distributor.

(Continued on next page)

Type XII Keyswitch Assemblies

31-AAA6410AB

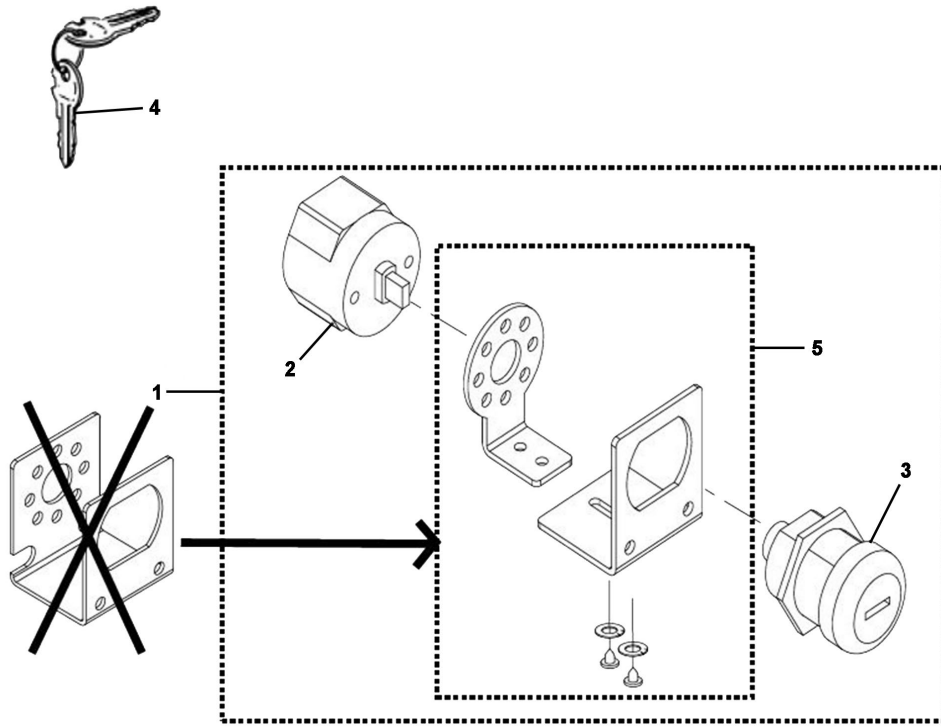
Type XII					
KEYSWITCH	APPLICATION	SWITCH	*LOCK	**KEY	BRACKET
Ref. No. 1		Ref. No. 2	Ref. No. 3	Ref. No. 4	Ref. No. 5
PART No.		PART No.	PART No.	PART No.	PART No.
ABA6410AB150	SES Ph. I, Florida Region 3	ABA636A6	AAA431AK37	R-80833-2006-3	AAA316KCT14
ABA6410AB151	SES Ph. I, Florida Region 4	ABA636A6	AAA431AK40	R-80833-2006-4	AAA316KCT14
ABA6410AB152	SES Ph. I, Florida Region 5	ABA636A6	AAA431AK43	R-80833-2006-5	AAA316KCT14
ABA6410AB153	SES Ph. I, Florida Region 6	ABA636A6	AAA431AK46	R-80833-2006-6	AAA316KCT14
ABA6410AB154	SES Ph. I, Florida Region 7	ABA636A6	AAA431AK49	R-80833-2006-7	AAA316KCT14
ABA6410AB155	SES Ph. I Remote, Florida Region 1	ABA636A5	AAA431AK31	R-80833-2006-1	AAA316KCT14
ABA6410AB156	SES Ph. I Remote, Florida Region 2	ABA636A5	AAA431AK34	R-80833-2006-2	AAA316KCT14
ABA6410AB157	SES Ph. I Remote, Florida Region 3	ABA636A5	AAA431AK37	R-80833-2006-3	AAA316KCT14
ABA6410AB158	SES Ph. I Remote, Florida Region 4	ABA636A5	AAA431AK40	R-80833-2006-4	AAA316KCT14
ABA6410AB159	SES Ph. I Remote, Florida Region 5	ABA636A5	AAA431AK43	R-80833-2006-5	AAA316KCT14
ABA6410AB160	SES Ph. I Remote, Florida Region 6	ABA636A5	AAA431AK46	R-80833-2006-6	AAA316KCT14
ABA6410AB161	SES Ph. I Remote, Florida Region 7	ABA636A5	AAA431AK49	R-80833-2006-7	AAA316KCT14
ABA6410AB162	SES Ph. II, Florida Region 1	ABA636A7	AAA431AK32	R-80833-2006-1	AAA316KCT14
ABA6410AB163	SES Ph. II, Florida Region 2	ABA636A7	AAA431AK35	R-80833-2006-2	AAA316KCT14
ABA6410AB164	SES Ph. II, Florida Region 3	ABA636A7	AAA431AK38	R-80833-2006-3	AAA316KCT14
ABA6410AB165	SES Ph. II, Florida Region 4	ABA636A7	AAA431AK41	R-80833-2006-4	AAA316KCT14
ABA6410AB166	SES Ph. II, Florida Region 5	ABA636A7	AAA431AK44	R-80833-2006-5	AAA316KCT14
ABA6410AB167	SES Ph. II, Florida Region 6	ABA636A7	AAA431AK47	R-80833-2006-6	AAA316KCT14
ABA6410AB168	SES Ph. II, Florida Region 7	ABA636A7	AAA431AK50	R-80833-2006-7	AAA316KCT14
ABA6410AB182	SES Phase I, LA	ABA636A6	AAA431AK58	LA-UEK	AAA316KCT14
ABA6410AB183	SES Phase I Remote, LA	ABA636A5	AAA431AK58	LA-UEK	AAA316KCT14
ABA6410AB184	SES Phase II, LA	ABA636A7	AAA431AK59	LA-UEK	AAA316KCT14
ABA6410AB186	SES Phase I, VA	ABA636A6	AAA431AK61	VA-UEK	AAA316KCT14
ABA6410AB187	SES Phase I Remote, VA	ABA636A5	AAA431AK61	VA-UEK	AAA316KCT14
ABA6410AB188	SES Phase II, VA	ABA636A7	AAA431AK62	VA-UEK	AAA316KCT14

* Fastening hardware supplied with lock. For detailed listing of locks. See SPL 31-AAA431AK.

** Florida, LA-UEK, and VA-UEK keys not available from OSC; Contact the local Authority Having Jurisdiction (AHJ) to find an authorized distributors.

Type XIII Keyswitch Assemblies

31-AAA6410AB



Type XIII					
KEYSWITCH	APPLICATION	SWITCH	*LOCK	**KEY	BRACKET
Ref. No. 1		Ref. No. 2	Ref. No. 3	Ref. No. 4	Ref. No. 5
PART No.		PART No.	PART No.	PART No.	PART No.
ABA6410AB169	SES Ph. II, Florida Region 1	ABA636A8	AAA431AK30	R-80833-2006-1	AAA316KCT15
ABA6410AB170	SES Ph. II, Florida Region 2	ABA636A8	AAA431AK33	R-80833-2006-2	AAA316KCT15
ABA6410AB171	SES Ph. II, Florida Region 3	ABA636A8	AAA431AK36	R-80833-2006-3	AAA316KCT15
ABA6410AB172	SES Ph. II, Florida Region 4	ABA636A8	AAA431AK39	R-80833-2006-4	AAA316KCT15
ABA6410AB173	SES Ph. II, Florida Region 5	ABA636A8	AAA431AK42	R-80833-2006-5	AAA316KCT15
ABA6410AB174	SES Ph. II, Florida Region 6	ABA636A8	AAA431AK45	R-80833-2006-6	AAA316KCT15
ABA6410AB175	SES Ph. II, Florida Region 7	ABA636A8	AAA431AK48	R-80833-2006-7	AAA316KCT15
ABA6410AB185	Emergency Power, LA	ABA636A8	AAA431AK60	LA-UEK	AAA316KCT15
ABA6410AB189	Emergency Power, VA	ABA636A8	AAA431AK63	VA-UEK	AAA316KCT15
ABA6410AB190	SES Phase I, RI	ABA636A6	AAA431AF33	WD01	AAA316KCT11
ABA6410AB191	SES Phase I Remote, RI	ABA636A6	AAA431AF35		
ABA6410AB192	SES Phase II, RI, 2000	ABA636A10	AAA431AF36		
ABA6410AB193	SES Phase II, RI, pre 2000	ABA636A7	AAA431AF34		
ABA6410AB194	Emergency Power, RI	ABA636A8	AAA431AF30		

* Fastening hardware supplied with lock. For detailed listing of locks. See SPL 31-AAA431AK.

** Florida, LA-UEK, and VA-UEK keys not available from OSC; Contact the local Authority Having Jurisdiction (AHJ) to find an authorized distributors.