

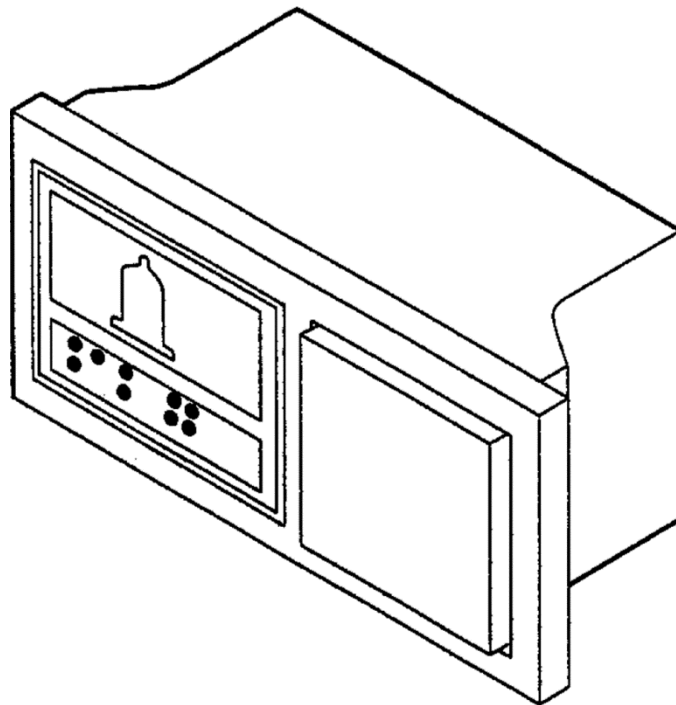
Button Module

Spare Parts Leaflet

31-AAA7069AAS

April 29, 2015 / Page 1 of 5

W/O VINTAGE



OTIS

SERVICE ENGINEERING
Otis Elevator Company
Bloomfield, Connecticut USA

Unpublished Work—© Otis Elevator Co.; 2015

Leaflet Description

This Spare Parts Leaflet describes an advanced type fixture that utilizes serial communication with the Remote Station-14 PC board located in the car-operating panel.

Leaflet Revisions

Date Revised	Subject Matter Expert	Reason for Revision
August 1997	Val Minnes	New SPL
February 11, 2005	Joseph D. Zych	Added arrangements AAA7069AAS18 and 19 on p. 3; added Housing dimension on p. 5 ref. 3 and updated the references on p. 3.
April 29, 2015	Joseph D. Zych	Removed 250D information; Updated document template

Related Drawings

Drawing No.	Title	Drawing No.	Title
AAA7069AAS	Button Module Assembly Arrangement		

Related Documents

Document ID	Title
31-AAA7155BS	Advanced Fixtures Car Operating Panel GEM Series 1
31-AAA7155BY	Car Operating Panel Series 1, 3-Column

Subject Matter Expert

Name	Department
Joseph D. Zych	OSC Service Engineering

About Spare Parts Leaflets...

This document lists the lowest replaceable units (LRUs) for the standard version of the product. The LRUs are chosen by a team of Otis associates representing engineering and manufacturing.

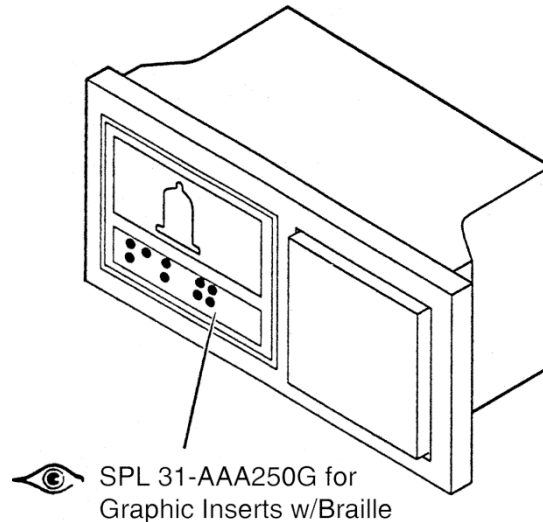
While goal of this document is to make parts identification as easy as possible, the document cannot be all-inclusive. Elevator and escalator contracts classified as "special" or "custom" are not addressed here. For such contracts, please refer to specified information, the contract folder, TIPs, Field Education Articles, Construction Letters, etc. for further information.

If you have any suggestions about this document, please contact the subject matter expert listed on this page.

Button Module Assemblies without Insert

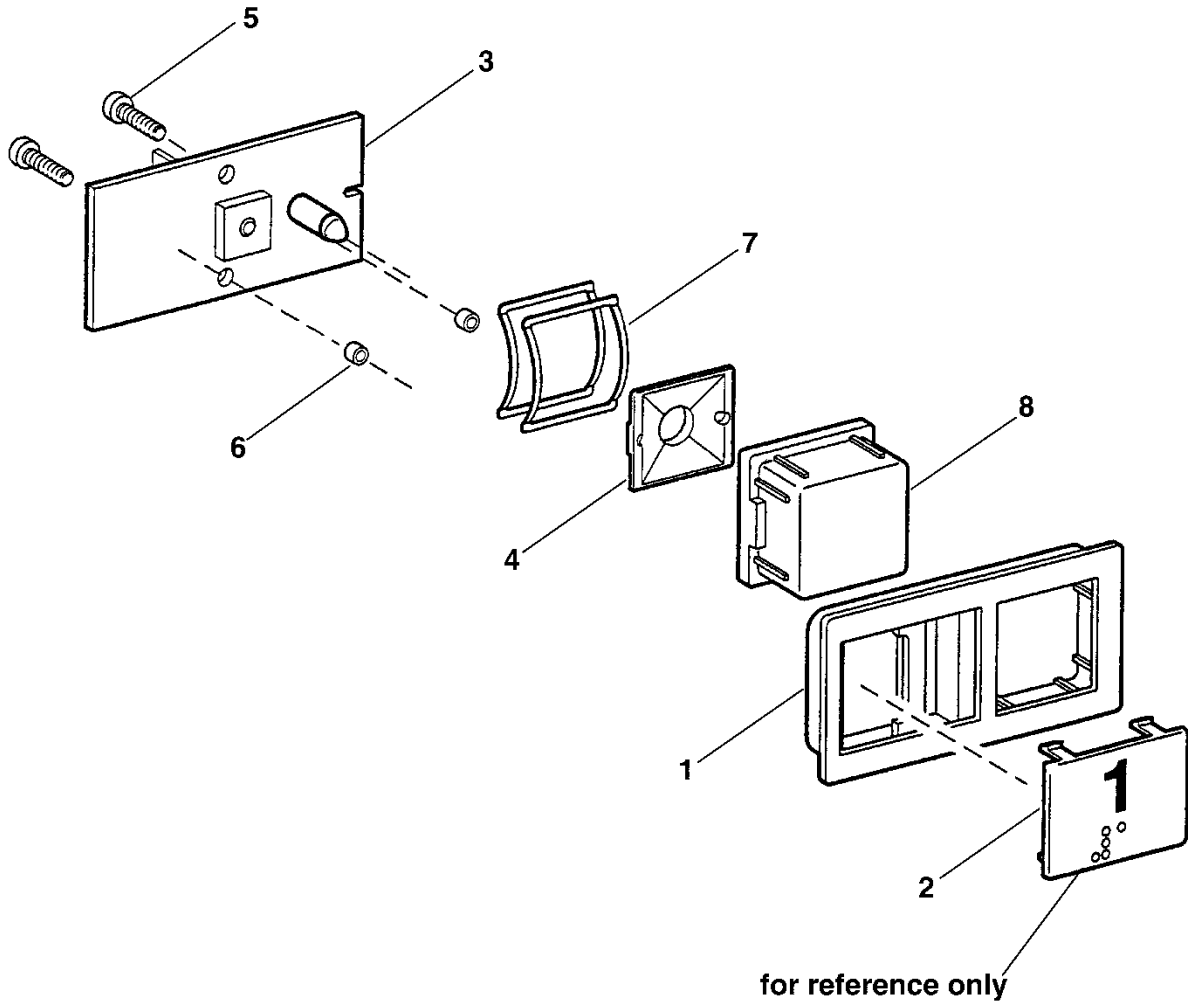
31-AAA7069AAS

Typical Graphic
Button Assembly




W/O VINTAGE		
PART No.	DESCRIPTION	TYPE
AAA7069AAS1	Floor Button w/o Housing Module (for 3-Row COP)	I
AAA7069AAS2	Door Open w/o Housing Module	II
AAA7069AAS3	Door Close w/o Housing Module	
AAA7069AAS4	Door Open w/ Housing Module (Housing 'A' = 15.5 mm, p. 5, ref. 3)	
AAA7069AAS5	Door Close w/ Housing Module (Housing 'A' = 15.5 mm, p. 5, ref. 3)	
AAA7069AAS6	Door Open w/ Housing Module (Housing 'A' = 17.5 mm, p. 5, ref. 3)	
AAA7069AAS7	Door Close w/ Housing Module (Housing 'A' = 17.5 mm, p. 5, ref. 3)	
AAA7069AAS8	Illuminated Alarm, 6 V (for Prov. of Quebec, Housing 'A' = 15.5 mm, p. 5, ref. 3)	
AAA7069AAS9	Illuminated Alarm, 6 V (for Prov. of Quebec, Housing 'A' = 17.5 mm, p. 5, ref. 3)	
AAA7069AAS10	Illuminated Alarm, 6 V (for NSAA and English Canada, Housing 'A' = 15.5 mm, p. 5, ref. 3)	
AAA7069AAS11	Illuminated Alarm, 6 V (for NSAA and English Canada, Housing 'A' = 17.5 mm, p. 5, ref. 3)	
AAA7069AAS12	Call Cancel (Housing 'A' = 15.5 mm, p. 5, ref. 3)	
AAA7069AAS13	Illuminate Alarm, 12 V (for Prov. of Quebec, Housing 'A' = 15.5 mm, p. 5, ref. 3)	
AAA7069AAS14	Illuminated Alarm, 12 V (for Prov. of Quebec, Housing 'A' = 17.5 mm, p. 5, ref. 3)	
AAA7069AAS15	Illuminated Alarm, 12 V (for NSAA & English Canada, Housing 'A' = 15.5 mm, p. 5, ref. 3)	
AAA7069AAS16	Illuminated Alarm, 12 V (for NSAA & English Canada, Housing 'A' = 17.5 mm, p. 5, ref. 3)	
AAA7069AAS17	Floor Button w/o Housing (for 2-Row COP)	
AAA7069AAS18	COP Phone (Call for Help)	II
AAA7069AAS19	Illuminated Alarm w/o Housing, 6 V	

NOTE: page 4 for Type I detail; page 5 for Type II detail.

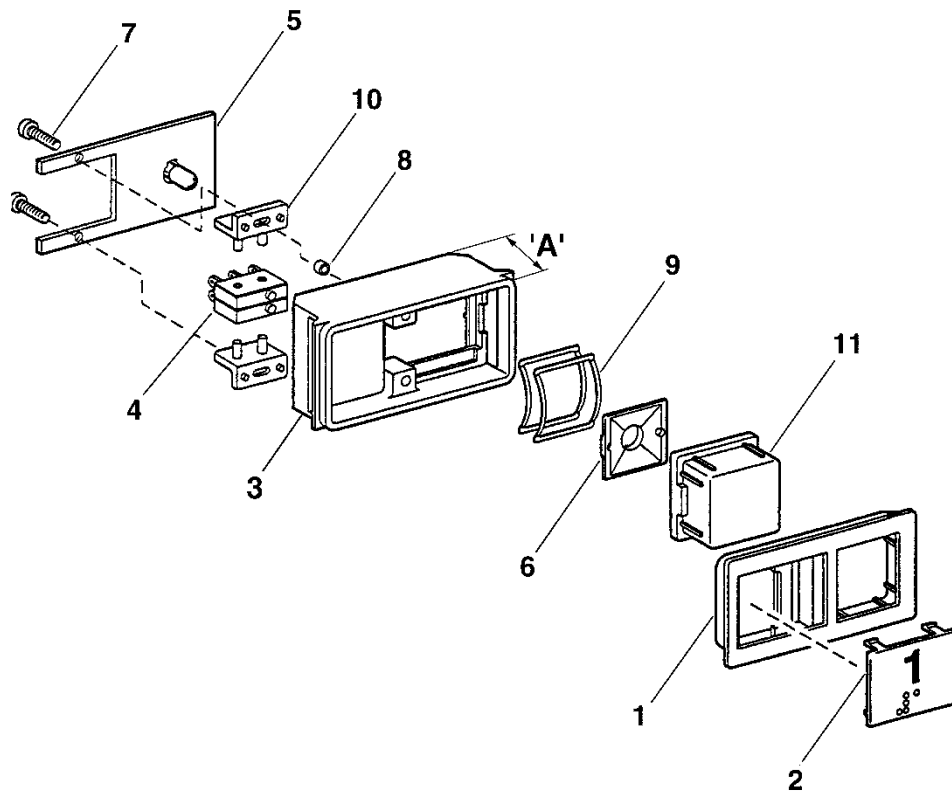





for reference only

W/O VINTAGE		
REF. No.	PART No.	DESCRIPTION
1	B396PB1	Chicklet
2	---	Inserts, Graphic  SPL 31-AAA250G (w/ Raised Ball Braille Markings)
3	ABA26800TY1	PC Board, Button w/Red/Green ("white") LED
4	278EA1	Reflector, Button
5	124CY4	Screw, Thread-Forming, M3, 18 mm L
6	462GV3	Spacer, 0.12 in. L (for 3-Row COP)
7	94FA1	Spring, Button
8	323DA5	Target, White (Raised)

Type II Button Module Assembly

31-AAA7069AAS



W/O VINTAGE		
REF. No.	PART No.	DESCRIPTION
1	B396PB1	Chicklet
2	---	Insert, Graphic  SPL 31-AAA250G (w/ Raised Ball Braille Markings)
3	396VB1	Housing, 'A' = 17.5 mm
	396VB3	Housing, 'A' = 15.5 mm
4	177DA1	Microswitch
5	8200AL4	PC Board w/424R2 Lamp, 14 V (for 12 V Buttons,  p. 3)
	8200AL5	PC Board w/424R4 Lamp, 8 V (for 6 V Buttons,  p. 3)
6	278EA1	Reflector, Button
7	124CY4	Screw, Thread-Forming, M3, 18 mm L
8	462GV5	Spacer, 0.19 in. L (for 2-Row COP or Door Open w/o Housing Button)
9	94FA1	Spring, Button
10	180DA1	Switch Holder, Double
	180DA2	Switch Holder, Single (for Door Close/Call Cancel Buttons)
11	323DA5	Target, White (Raised)
	323DA9	Target, White, MARKED: Push for Alarm (Raised)