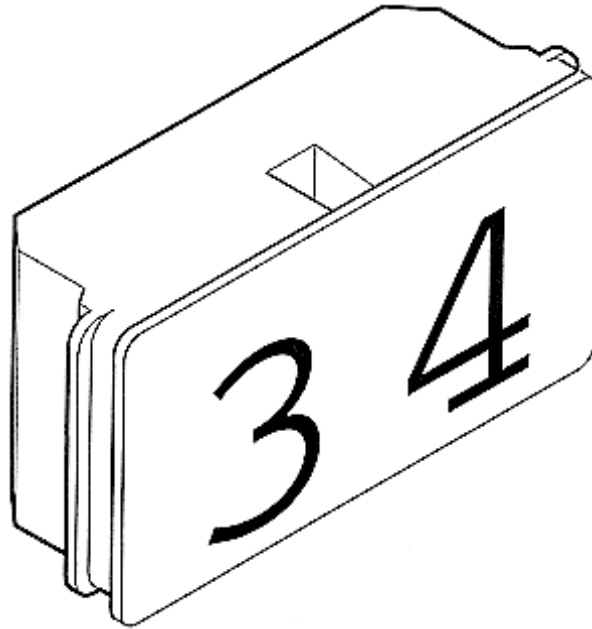


SPL 31-AAA7069BB - Type AAA7069BB Jewel Module

Unpublished Work - © Otis Elevator Company. Any unauthorized reproduction, disclosure, or distribution of copies or content by any person of any portion of this work may be a violation of Copyright Law of the United States of America. All rights reserved.

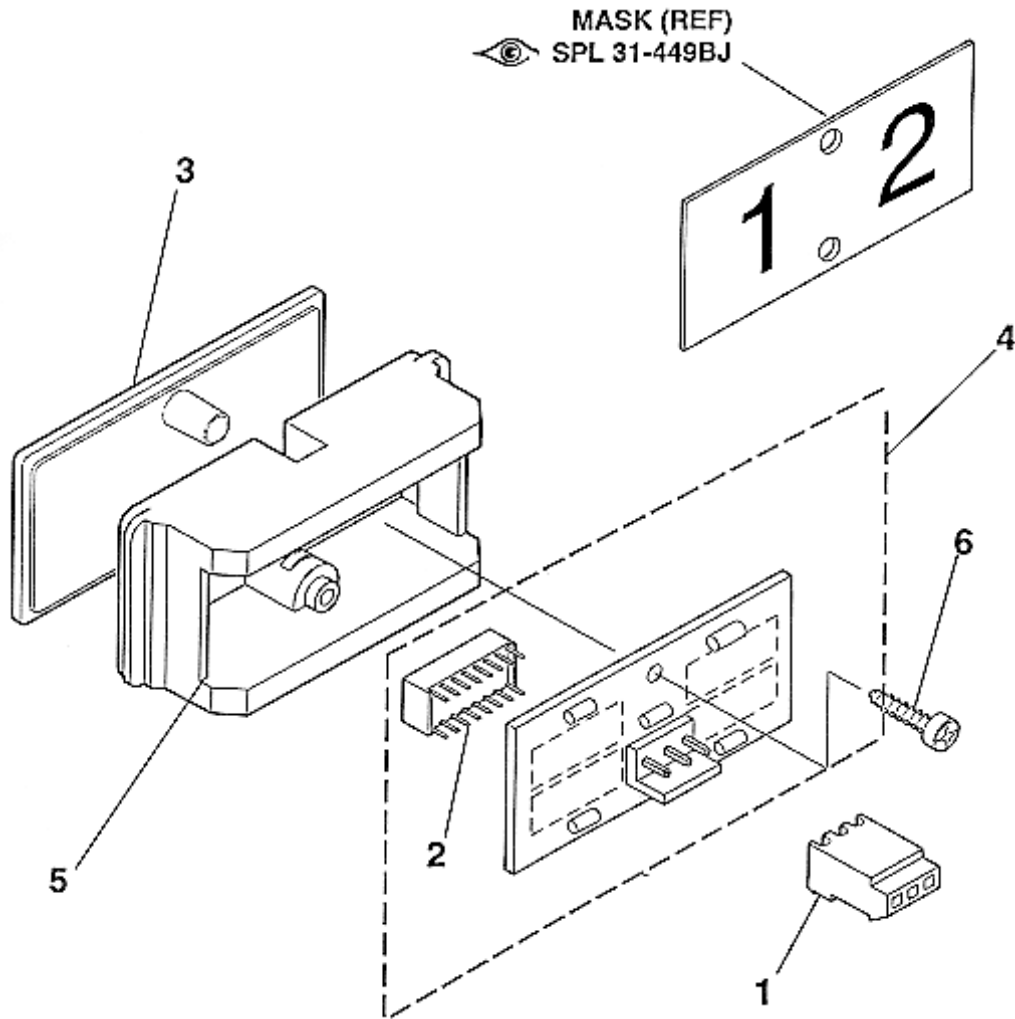
June 1997

Page 1



SPL 31-AAA7069BB - Type AAA7069BB Jewel Module

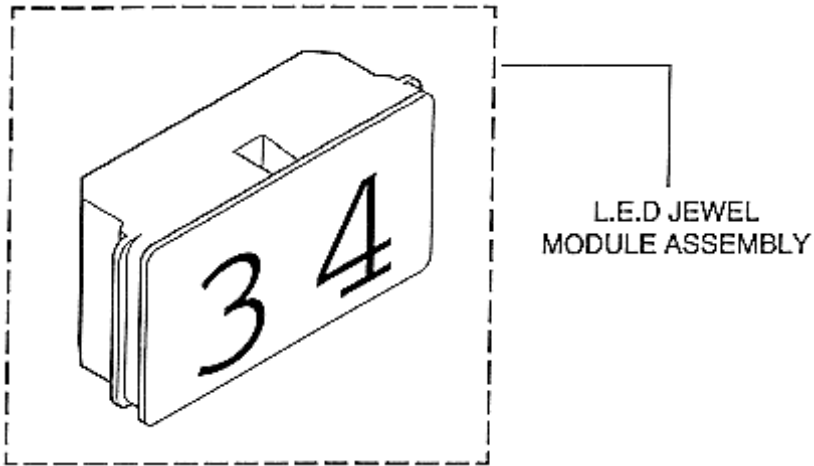
Page 2



AAB7069BB		
REF. NO.	PART OR ML	DESCRIPTION
1	AAA00176AAD001	Connector, 3-Circuit, 18 A.W.G. (Hall)
	AAA00176AAD005	Connector, 3-Circuit, 22 A.W.G. (Car)
2	AAA00625AAF001	LED Light Bar
	443CB2	Lens, Clear
3	443CB3	Lens, Green
	AAA26800ABE001	PC Board, Jewel Relector
4	AAB278AAC1	Reflector with Shield
5	124CY4	Screw, Pan Head, M3, 18mm L

SPL 31-AAA7069BB - Type AAA7069BB Jewel Module

Page 3 - TYPE AAA7069BB LED JEWEL MODULE ASSEMBLY



AAB7069BB			AAB7069BB		
PART NO.	MASK MARKING	MOUNTING LOCATION	PART NO.	MASK MARKING	MOUNTING LOCATION
AAB7069BB1	1-2	HALL	AAB7069BB24	5-6	CAR
AAB7069BB2	3-4	HALL	AAB7069BB25	2-3	CAR
AAB7069BB3	5-6	HALL	AAB7069BB26	B-1	CAR
AAB7069BB4	2-3	HALL	AAB7069BB27	P-1	CAR
AAB7069BB5	B-1	HALL	AAB7069BB28	M-2	CAR
AAB7069BB6	P-1	HALL	AAB7069BB29	L-2	CAR
AAB7069BB7	M-2	HALL	AAB7069BB30	P-2	CAR
AAB7069BB8	L-2	HALL	AAB7069BB31	B-L	CAR
AAB7069BB9	P-2	HALL	AAB7069BB32	B-M	CAR
AAB7069BB10	B-L	HALL	AAB7069BB33	1-L	CAR
AAB7069BB11	B-M	HALL	AAB7069BB34	P-L	CAR
AAB7069BB12	1-L	HALL	AAB7069BB35	G-1	CAR
AAB7069BB13	P-L	HALL	AAB7069BB36	G-2	CAR
AAB7069BB14	G-1	HALL	AAB7069BB37	B-G	CAR
AAB7069BB15	G-2	HALL	AAB7069BB38	4-5	CAR
AAB7069BB16	B-G	HALL	AAB7069BB39	SS-RC	CAR
AAB7069BB17	4-5	HALL	AAB7069BB40	RC-1	CAR
AAB7069BB18	SS-RC	HALL	AAB7069BB41	P1-G	CAR
AAB7069BB19	RC-1	HALL	AAB7069BB42	RC-2	CAR
AAB7069BB20	P1-G	HALL	AAB7069BB43	T-1	CAR
AAB7069BB21	RC-2	HALL	AAB7069BB44	T-1	HALL
AAB7069BB22	1-2	CAR	AAB7069BB45	T-2	CAR
AAB7069BB23	3-4	CAR	AAB7069BB46	T-2	HALL

NOTE: Hall = Green Lens + Connector for 18 AWG Wire
 Car = Clear Lens + Connector for 22 AWG Wire