

**SPL 31-AAA7069BR - Massachusetts Medical Emergency Keyswitch Modules**

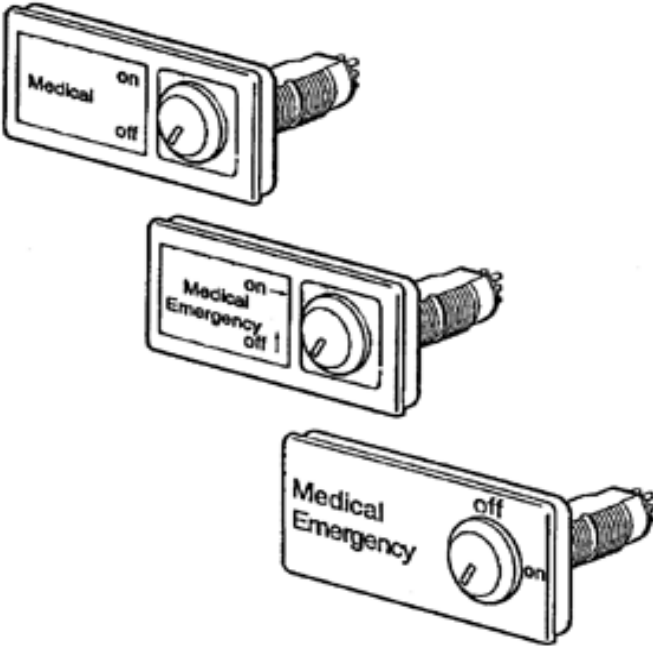
Unpublished Work - © Otis Elevator Company. Any unauthorized reproduction, disclosure, or distribution of copies or content by any person of any portion of this work may be a violation of Copyright Law of the United States of America. All rights reserved.

**April 1998**

Supersedes SPL 31-AAA7069BR Dated July 1997

**Page 1**

W/O VINTAGE



# SPL 31-AAA7069BR - Massachusetts Medical Emergency Keyswitch Modules

## Page 2 – History

History
31-AAA7069BR
First Published: July 1997

Massachusetts Medical Emergency Keyswitch Modules
---

REVISED DATE	RESPONSIBLE ENGINEER	PRIMARY REASON FOR REVISION
07/1997	J. Kulikowski	new leaflet
04/1998	V. Minnes	remove incorrect data, add reference notes

### Leaflet Description

This leaflet details spare parts for the AAA7069BR/AAF type Massachusetts medical emergency keyswitch module. For AAA7069BH type keyswitches, please see SPL 31-AAA7069BH dated April 1998. For AAA7069AAK type keyswitches, please see SPL 31-AAA7069BH dated April 1998.

RELATED LEAFLET NUMBERS	TITLES
31-AAA7069BH	Keyswitch Modules

DRAWING REFERENCES	
AAA7069AAF	AAA7069BR
ABA7069AAF	

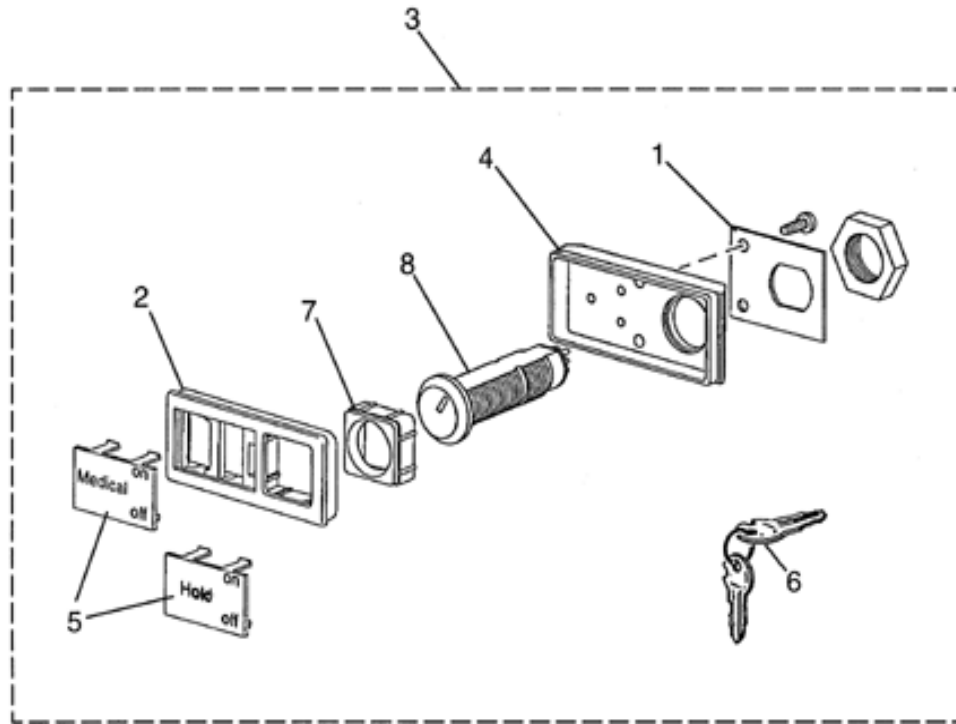
RELATED DOCUMENT NUMBERS	TITLES
none	

This Spare Parts Leaflet (SPL) is prepared to assist you in determining the Lowest Replaceable Units (LRU) supported by the Otis Service Center for the standard version of the product titled on the preceding page. The parts are chosen by Otis associates from: Engineering, Field Engineering, Service Engineering, and Manufacturing. We attempt to make part identification as easy as possible. The SPL, however, cannot be all inclusive. Elevator and escalator contracts classified as either "special" or "custom" are not addressed. Alternative sources of information such as: the Contract Folder, Technical Information Publications, Field Education Articles, Construction Letters, etc. may give the information you are after. You live in the real world of maintaining your elevator and escalator contracts. On a daily basis, situations arise regarding parts identification and at times, for some reason, the part you need is not in the SPL. If you think a standard part not listed should be let us know. We will respond.

Val Minnes-Service Engineering

SPL 31-AAA7069BR - Massachusetts Medical Emergency Keyswitch Modules

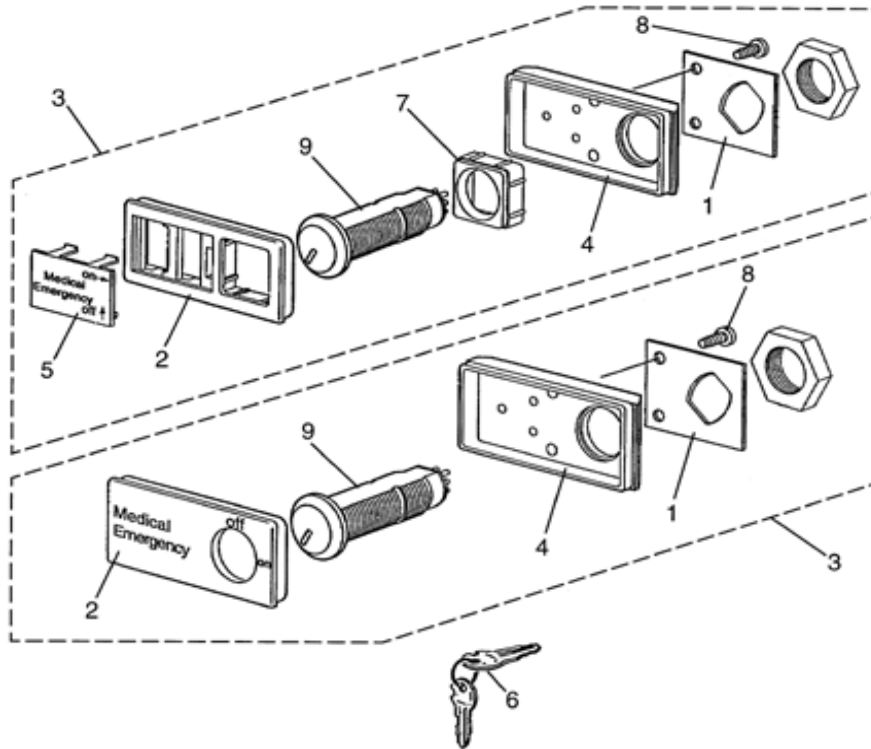
Page 3 - Keyswitch Module MA EMT



REF. NO.	W/O VINTAGE PART or ML	DESCRIPTION
1	316DMD3	Bracket
2	B396PB1	Chicklet
3	AAA7069BR1	Emergency, Medical, Hall Panel, (1.0 mm Mounting Plate)
	AAA7069BR2	Emergency, Medical, Hall Panel, (3.2 mm Mounting Plate)
	AAA7069BR3	Emergency, Medical, Hold Key, (Car) (1.0 mm Mounting Plate)
4	396KC1	Housing, 1.0 mm Mounting Plate
	396KC5	Housing, 3.2 mm Mounting Plate
5	250E66	Insert, Marked: Medical on off
	250E67	Insert, Marked: Hold on off
6	_	Key, Restricted: Contact OSC Customer Service
7	396XB1	Mount, Color Blue
8	AAA634C1	Switch, Double Pole, Double Throw, Key Remove Pos. CW/CCW

# SPL 31-AAA7069BR - Massachusetts Medical Emergency Keyswitch Modules

## Page 4 - Keyswitch Module MA EMT



REF. NO.	W/O VINTAGE		DESCRIPTION
	PART or ML		
	AAA7069AAF	ABA7069AAF	
1	316DMD4		Bracket
2	B396PB1	396LB88	Chicklet
3	AAA7069AAF1	ABA7069AAF1	Emergency, Medical, (Hall Panel), (1.0 mm Mounting Plate)
	AAA7069AAF2	ABA7069AAF2	Emergency, Medical, (Hall Panel), (3.2 mm Mounting Plate)
4	396KC1		Housing, 1.0 mm Mounting Plate
	396KC5		Housing, 3.2 mm Mounting Plate
5	250E81	-	Insert
6	-		Key, Restricted: Contact OSC Customer Service
7	396XB1	-	Mount, Color Blue
8	124CY8		Screw, M3 Panhead, Self Tapping
9	AAA634C2		Switch, Double Pole, Double Throw, Key Remove CCW (OFF)