

Combination Service
and Communication
Cabinet

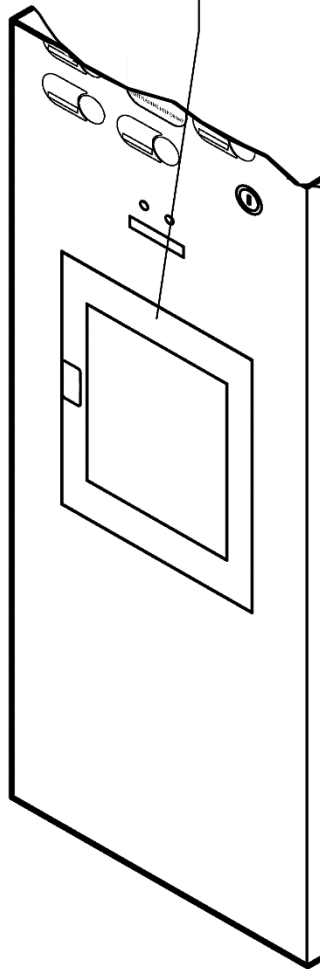
Spare Parts Leaflet

31-AAA7144CG

August 29, 2018 / Page 1 of 4

31 Y - AAA7144CG

31 R - ABA7144CG



Type AAA25000BT COP

OTIS

This document does not contain any
technical data subject to EAR or ITAR

SERVICE ENGINEERING
Otis Elevator Company
Bloomfield, Connecticut USA

Unpublished Work—© Otis Elevator Co.; 2018

Leaflet Description

This leaflet provides spare parts information for type AAA7144CG Combination Service and Communication Cabinet for Series 4 COP.

Leaflet Revisions

Date Revised	Subject Matter Expert	Reason for Revision
February 24, 2006	Joseph D. Zych	New Leaflet
November 10, 2008	Michael Bertini	Added a new NOTE on p. 4
August 29, 2018	Joseph D. Zych	Added 388BM5 to Ref. 2 on p. 4

Related Drawings

Drawing No.	Title	Drawing No.	Title
AAA7144CG	Service and Communication Cabinet	---	---
ABA7144CG		---	---

Related Documents

Document ID	Title
31-AAA25000BT	Series 4 Swing Return Car Operating Panel
SU16-322	Car Operating Panel – A**25000BT Swing Return Series 4 COP

Subject Matter Expert

Name	Department
Joseph Zych	OSC Service Engineering

About Spare Parts Leaflets...

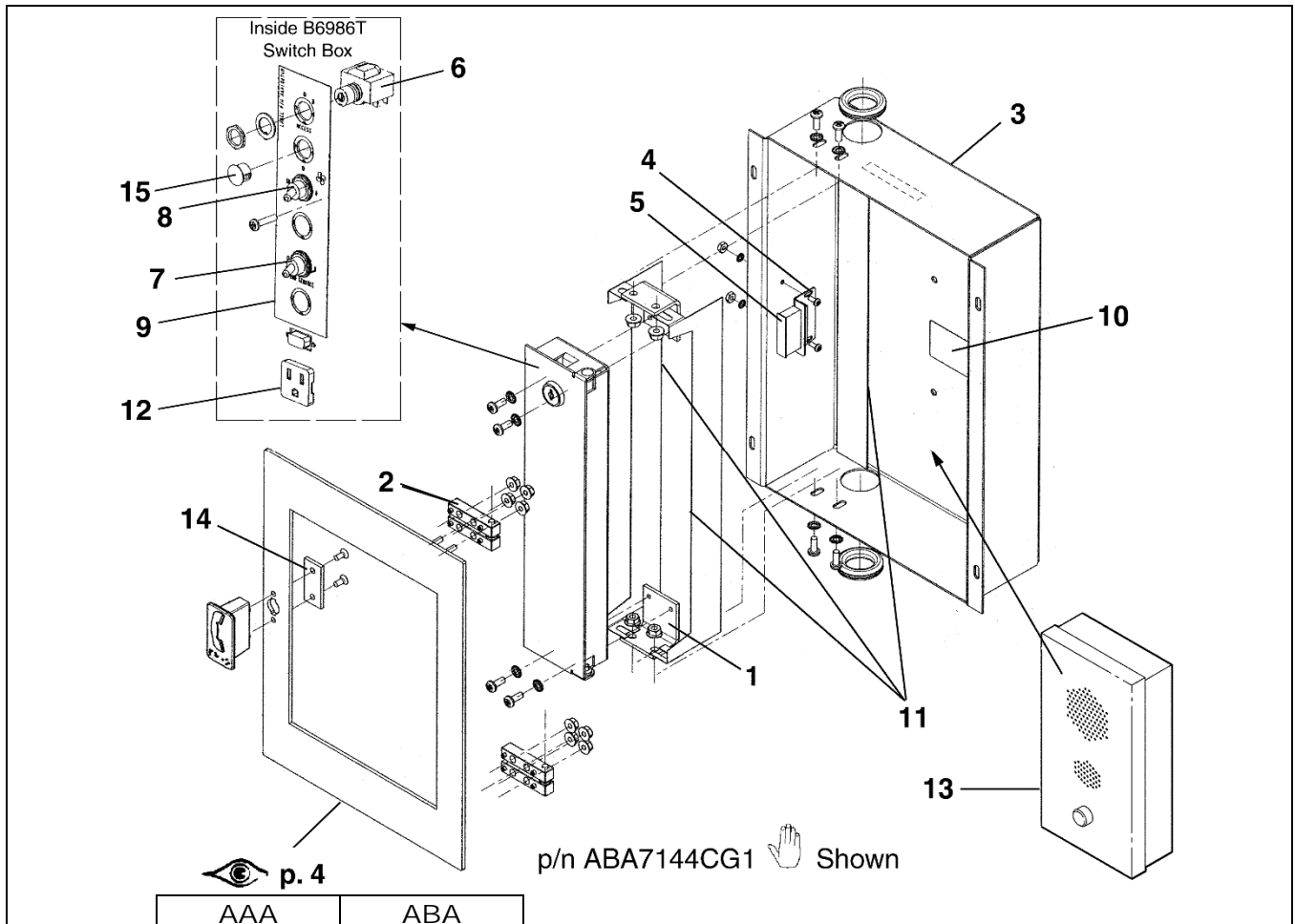
This document lists the lowest replaceable units (LRUs) for the standard version of the product. The LRUs are chosen by a team of Otis associates representing engineering and manufacturing.

While goal of this document is to make parts identification as easy as possible, the document cannot be all-inclusive. Elevator and escalator contracts classified as “special” or “custom” are not addressed here. For such contracts, please refer to specified information, the contract folder, TIPs, Field Education Articles, Construction Letters, etc. for further information.

If you have any suggestions about this document, please contact the subject matter expert listed on this page.

Service and Communication Cabinet Replacement Parts

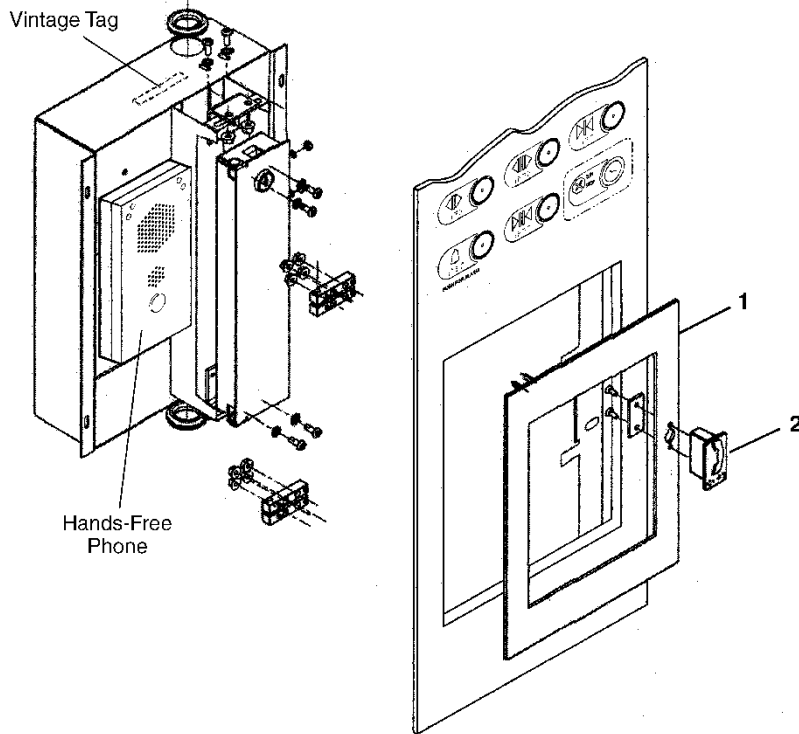
31-AAA7144CG




REF. No.	AAA	ABA	DESCRIPTION
1			Angle
2			Block, Hinge, Female
			Block, Hinge, Male with 81BD4 Pin
			Block, Hinge
3			Box, Cabinet
4			Bracket
5			Catch, Magnetic
*			Channel, Formed
6			Keyswitch, Access, 2-Position, Double-Pole Double-Throw
7			Keyswitch, Toggle, Independent Service, One-Speed Fan
8			Keyswitch, Toggle, Fan, Two-Speed Fan
9	AAA102TV9	---	Label, Switch Box, Two-Speed Fan
	AAA102TV10	---	Label, Switch Box, One-Speed Fan
10			Label, Telephone
11			Lining
12			Outlet, Simplex, 110 V
13	CAA7145E1	---	Phone, Hands-Free
14			Plate, Strike
15			Plug, Hole
*	AAA428H2	---	Sticker, Phone Symbol and Braille

* Part Not Shown

Service and Communication Cabinet Door Parts



REF. No.	AAA	ABA	DESCRIPTION	
	PART No.			
1	AAA406BV5		Assembly, Door, w/Certificate Frame, Stainless Steel, Mill 4 Finish	 NOTE
	AAA406BV6		Assembly, Door, w/Certificate Frame, Stainless Steel, Mirror Finish	
	AAA406BV7		Assembly, Door, w/Certificate Frame, Bronze, Brushed Finish	
	AAA406BV8		Assembly, Door, w/Certificate Frame, Bronze, Mirror Finish	
	AAA406BU5		Assembly, Door, w/o Certificate Frame, Stainless Steel, Mill 4 Finish	
	AAA406BU6		Assembly, Door, w/o Certificate Frame, Stainless Steel, Mirror Finish	
	AAA406BU7		Assembly, Door, w/o Certificate Frame, Bronze, Brushed Finish	
	AAA406BU8		Assembly, Door, w/o Certificate Frame, Bronze, Mirror Finish	
2	388BM4-SS4		Handle, Door, Blank, Stainless Steel, Brushed Finish, without Phone Symbol	
	388BM4-SS8		Handle, Door, Blank, Stainless Steel, Mirror Finish, without Phone Symbol	
	388BM4-BR7		Handle, Door, Blank, Brass, Brushed Finish, without Phone Symbol	
	388BM4-BR8		Handle, Door, Blank, Brass, Mirror Finish, without Phone Symbol	
	388BM5-SS4		Handle, Door, Stainless Steel, Brushed Finish, with Phone Symbol	
	388BM5-SS8		Handle, Door, Stainless Steel, Mirror Finish, with Phone Symbol	
	388BM5-BR7		Handle, Door, Brass, Brushed Finish, with Phone Symbol	
	388BM5-BR8		Handle, Door, Brass, Mirror Finish, with Phone Symbol	
	---	AAA388CK3	Handle, Door, Blank, Plastic	
	---	AAA388CK4	Handle, Door, with Phone Symbol and Braille, Plastic	

NOTE: This is a contract specific part. Contact your customer service representative with your specifications. To order this part, the following must be specified:

- Capacity load (to be engraved),
- Elevator number (to be engraved),
- Right or left hand (left hand has the hinge on the left).