

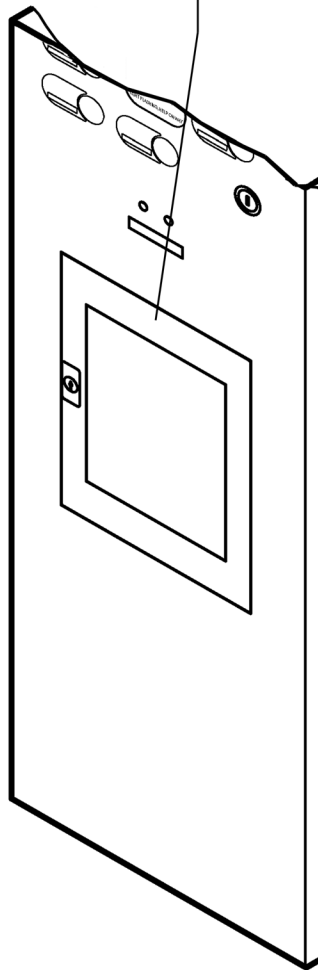
# Service Cabinet

**Spare Parts Leaflet**

**31-AAA7144CJ**

**November 10, 2008 / Page 1 of 4**

**31 H - AAA7144CJ**



Type AAA25000BT COP

Unpublished Work—© Otis Elevator Co.; 2008

**OTIS**

**Safety First!**

**SERVICE ENGINEERING**

**Otis Elevator Company**

**Bloomfield, Connecticut USA**

**Leaflet Description**

This leaflet provides spare parts information for type AAA7144CJ Service Cabinet for Series 4 COP.

**Leaflet Revisions**

<b>Date Revised</b>	<b>Subject Matter Expert</b>	<b>Reason for Revision</b>
February 21, 2006	Joseph D. Zych	New Leaflet
November 10, 2008	Michael Bertini	Added a new NOTE on p. 4

**Related Drawings**

<b>Drawing No.</b>	<b>Title</b>	<b>Drawing No.</b>	<b>Title</b>
AAA7144CJ	Service Cabinet	---	---
---	---	---	---

**Related Documents**

<b>Document ID</b>	<b>Title</b>
31-AAA25000BT	Series 4 Swing Return Car Operating Panel
31-AAA23500F	Keyswitch Assemblies Light Ring & Engraved Collar Version
SU16-322	Car Operating Panel – A**25000BT Swing Return Series 4 COP

**Subject Matter Expert**

<b>Name</b>	<b>Department</b>
Michael Bertini	OSC Service Engineering

**About Spare Parts Leaflets...**

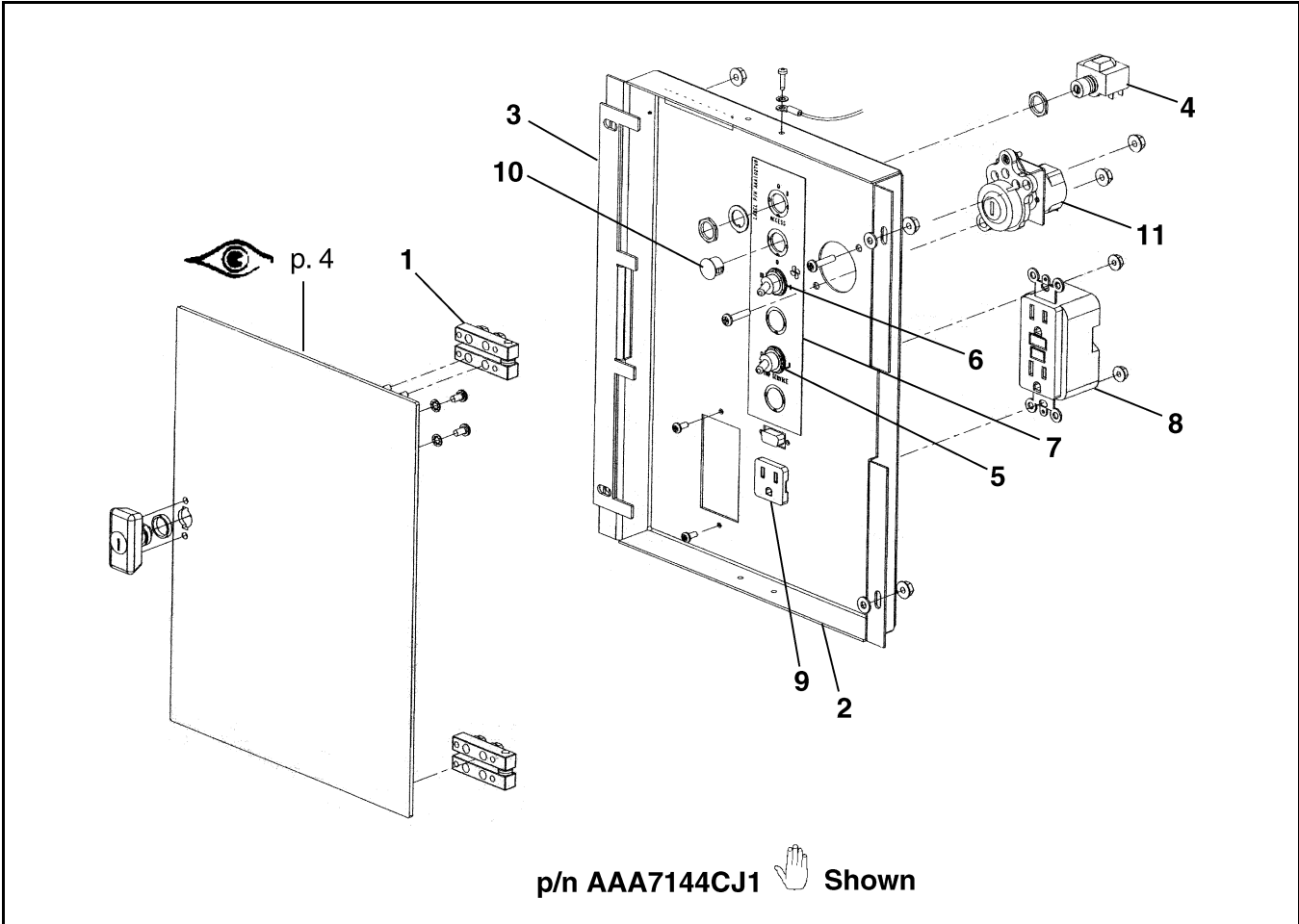
This document lists the lowest replaceable units (LRUs) for the standard version of the product. The LRUs are chosen by a team of Otis associates representing engineering and manufacturing.

While goal of this document is to make parts identification as easy as possible, the document cannot be all-inclusive. Elevator and escalator contracts classified as “special” or “custom” are not addressed here. For such contracts, please refer to specified information, the contract folder, TIPs, Field Education Articles, Construction Letters, etc. for further information.

If you have any suggestions about this document, please contact the subject matter expert listed on this page.

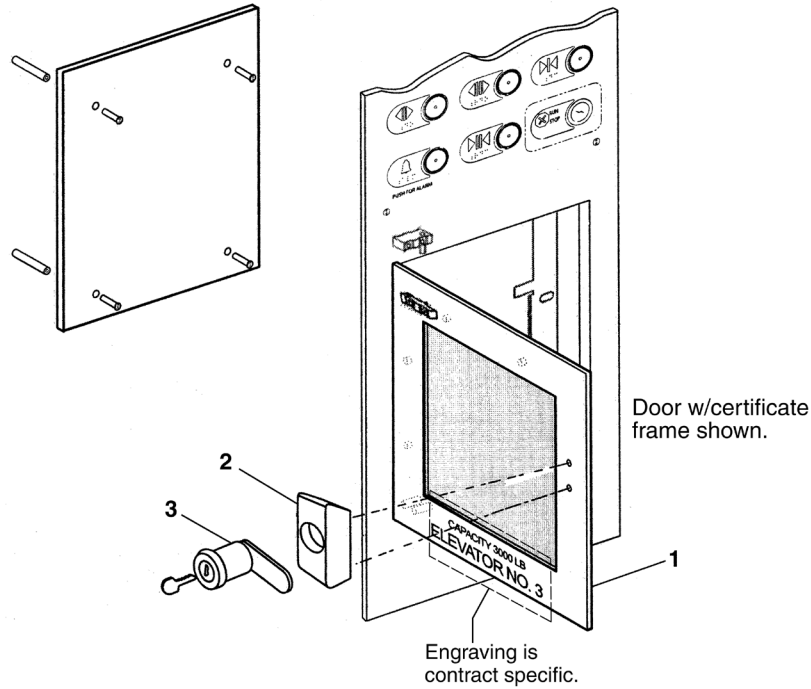
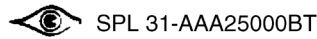
# Service Cabinet Replacement Parts

**31-AAA7144CJ**



AAA7144CJ			
REF. No.	PART No.	DESCRIPTION	
1	AAA310SX4	Block, Hinge	
2	AAA308XD1	Box, Service Cabinet	Simplex Outlet,  Ref. 9
	AAA308XD2		Duplex Utility Outlet,  Ref. 8
3	AAA316GZZ1	Bracket	
4	6410R3	Keyswitch, Access, 2-Position, Double-Pole Double-Throw	
5	6599A3	Keyswitch, Toggle, Independent Service, One-Speed Fan	
6	6599A11	Keyswitch, Toggle, Fan, Two-Speed Fan	
7	AAA102TV9	Label, Service Cabinet	Two-Speed Fan,  Ref. 6
	AAA102TV10		One-Speed Fan,  Ref. 5
8	641A4	Outlet, Duplex Utility, 110 V, GFI	
9	6599R2	Outlet, Simplex, 110 V	
10	V444BH1	Plug, Hole	
11	ABA23500G78	Switch, Light,  SPL 31-AAA23500F for Details	

(Continued on next page)



AAA7144CJ			
REF. No.	PART No.	DESCRIPTION	
1	AAA406BV5	Assembly, Door, w/Certificate Frame, Stainless Steel, Mill 4 Finish	
	AAA406BV6	Assembly, Door, w/Certificate Frame, Stainless Steel, Mirror Finish	
	AAA406BV7	Assembly, Door, w/Certificate Frame, Bronze, Brushed Finish	
	AAA406BV8	Assembly, Door, w/Certificate Frame, Bronze, Mirror Finish	
	AAA406BU5	Assembly, Door, w/o Certificate Frame, Stainless Steel, Mill 4 Finish	
	AAA406BU6	Assembly, Door, w/o Certificate Frame, Stainless Steel, Mirror Finish	
	AAA406BU7	Assembly, Door, w/o Certificate Frame, Bronze, Brushed Finish	
	AAA406BU8	Assembly, Door, w/o Certificate Frame, Bronze, Mirror Finish	
2	388BM3-SS4	Handle, Door, w/Lock Cutout, Stainless Steel, Brushed Finish	
	388BM3-SS8	Handle, Door, w/Lock Cutout, Stainless Steel, Mirror Finish	
	388BM3-BR7	Handle, Door, w/Lock Cutout, Brass, Brushed Finish	
	388BM3-BR8	Handle, Door, w/Lock Cutout, Brass, Mirror Finish	
3	431Y1-DC	Lock, Dull Chrome Finish, <b>W</b> → Two Keys p/n VP-796345	



**NOTE:** This is a contract specific part. Contact your customer service representative with your specifications. To order this part, the following must be specified:

- Capacity load (to be engraved),
- Elevator number (to be engraved),
- Right or left hand (left hand has the hinge on the left).