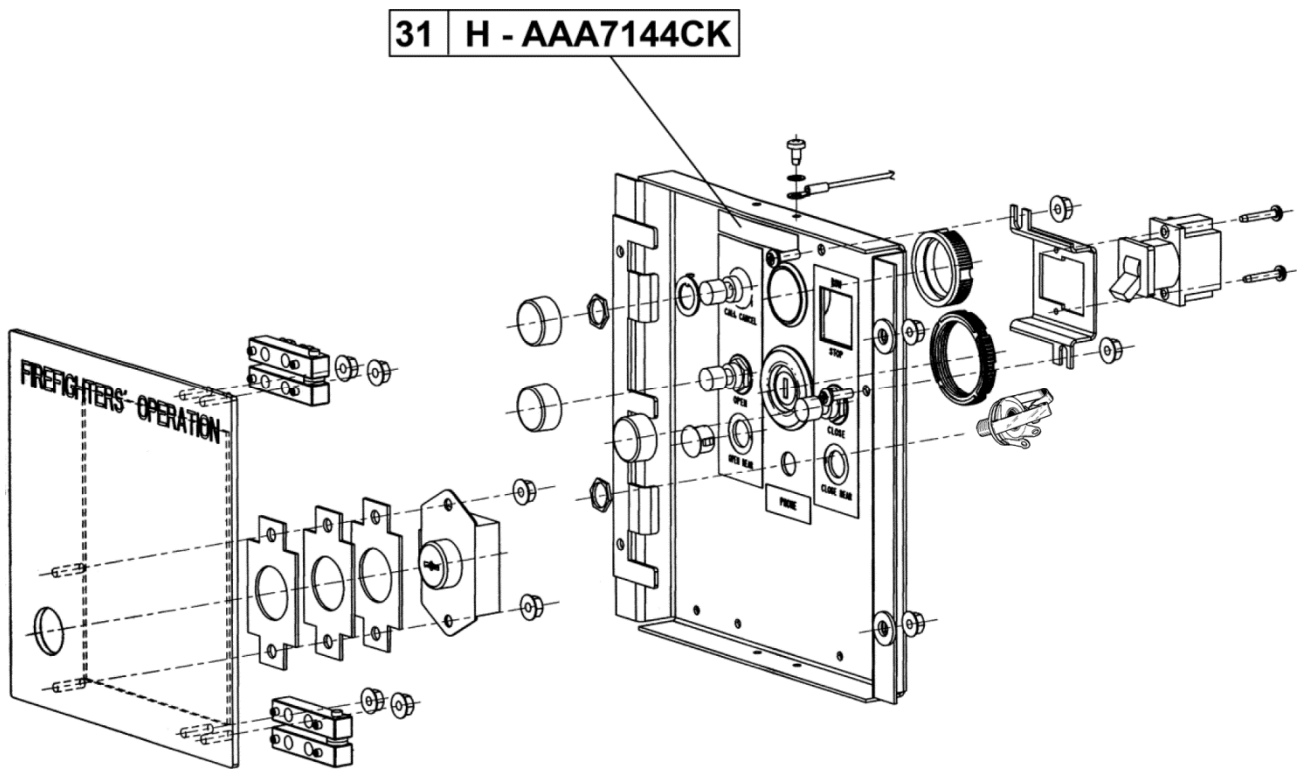


Firefighter's Cabinet
(Series 2 and 4 COP)

Spare Parts Leaflet

31-AAA7144CK

March 28, 2018 / Page 1 of 5



OTIS

This document does not contain any
technical data subject to EAR or ITAR

SERVICE ENGINEERING

Otis Elevator Company

Bloomfield, Connecticut USA

Unpublished Work—© Otis Elevator Co.; 2018

Leaflet Description

This leaflet provides spare parts information for type AAA7144CK Firefighter's Cabinet for New Equipment (NEB) Series 2 and 4 COPs.

Leaflet Revisions

Date Revised	Subject Matter Expert	Reason for Revision
April 19, 2005	Joseph Zych	New leaflet
March 14, 2007	Michael Bertini	Added p/n AAA431AQ6 for AZFS Lock and p/n AAA431AQ7 for FEO-K1 (2006 Code) Lock on p. 3
May 27, 2008	Joseph D. Zych	Added Florida and new 3502 locks on pp. 3–4
February 17, 2010	Michael Bertini and Joseph Zych	Added reference to 6599F phone jack assembly; added fire panel labels on page 5.
September 1, 2010	Joseph Zych	pp 3, 4 reorganize firefighter cabinet door latch lock information.
March 26, 2014	Joseph Zych	Updated Ref. 3 on p. 3
March 28, 2018	Joseph Zych	Added p/n AAA323DV1 on p. 3

Related Drawings

Drawing No.	Title	Drawing No.	Title
AAA7144CK	Firefighter's Cabinet, Series 2 and 4 COP	AAA102ANE	Label, Fire Panel

Related Documents

Document ID	Title
SPL 32-AAA23851A	<i>Keyswitch (Series 5 Fixture)</i>
SPL 31-6599F	<i>Phone Jack Assembly</i>
SPL 31-AAA340CV	<i>Collar Adaptor Keyswitch and Jewel (French Markings Only)</i>
SPL 31-AAA25000BT	<i>Car Operating Panel, Series 4, Swing</i>
SPL 31-AAA25000DR	<i>Car Operating Panel, Series 2</i>
SPL 31-AAA25000DX	<i>Car Operating Panel, Series 2, with Emergency Light</i>

Subject Matter Expert

Name	Department
Joseph Zych	OSC Service Engineering

About Spare Parts Leaflets...

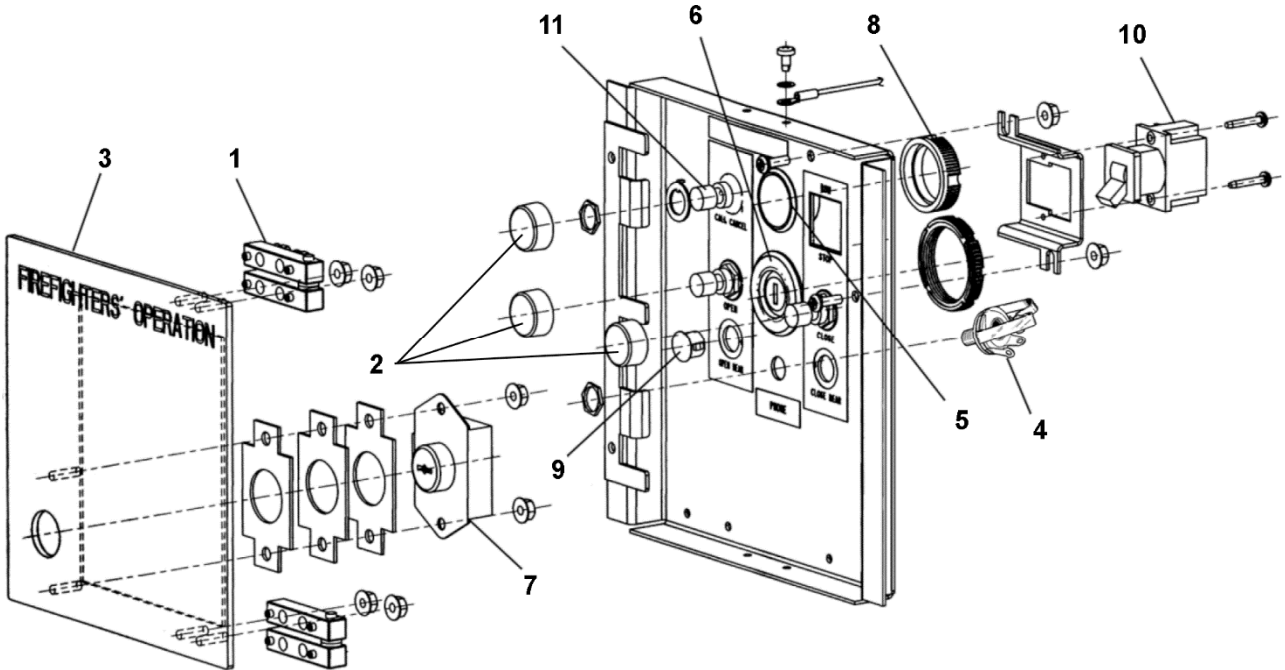
This document lists the lowest replaceable units (LRUs) for the standard version of the product. The LRUs are chosen by a team of Otis associates representing engineering and manufacturing.

While goal of this document is to make parts identification as easy as possible, the document cannot be all-inclusive. Elevator and escalator contracts classified as "special" or "custom" are not addressed here. For such contracts, please refer to specified information, the contract folder, TIPs, Field Education Articles, Construction Letters, etc. for further information.

If you have any suggestions about this document, please contact the subject matter expert listed on this page.

SES Keyswitch and Door Latch Lock (not for MA, ME, NH, NJ Codes)

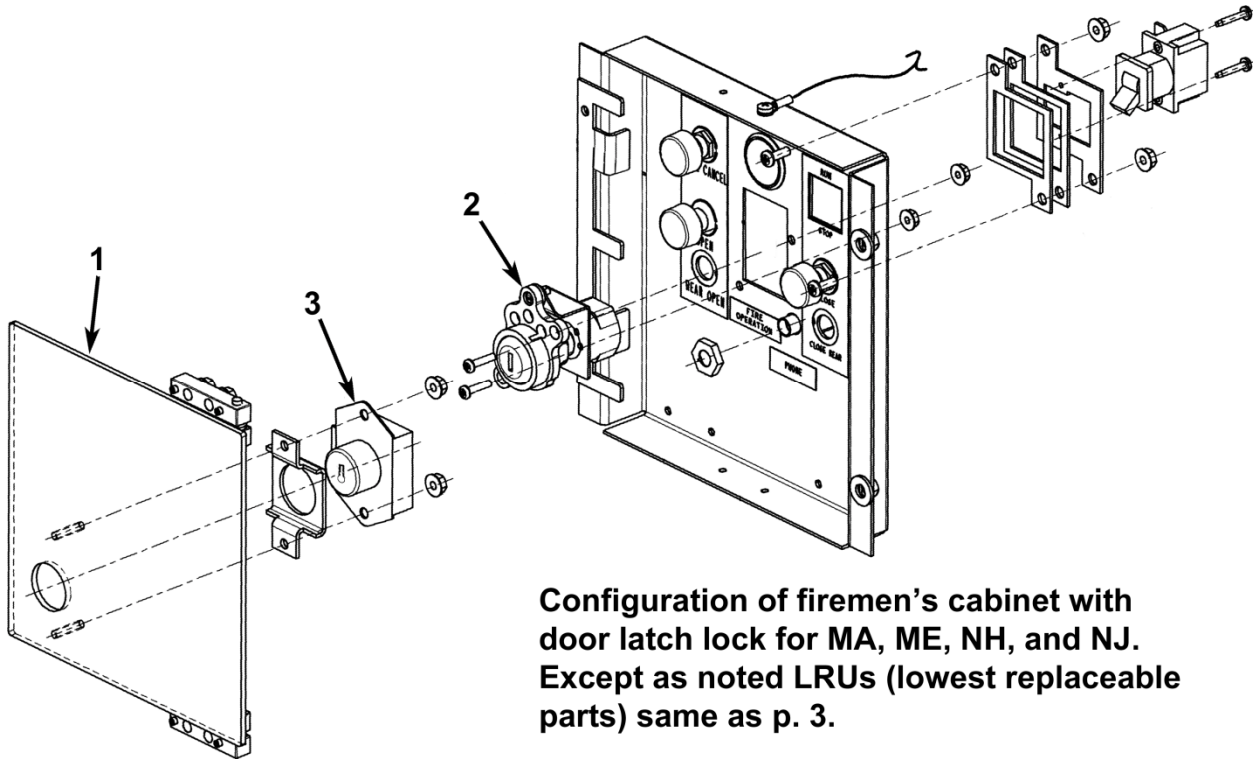
31-AAA7144CK



REF. No.	PART No.	DESCRIPTION
	AAA7144CK	
1	AAA310SX4	Block, Hinge
2	AAA323DV1	Cap, Button
3	---	Door, Firemen's Service Cabinet SPL 31-AAA406CE
4	6599F5	Jack, Phone. w/Insulating Bushing (3-conductor), SPL 31-6599F
5	AAA23500AL11	Jewel, Fire Hat
6	---	Keyswitch, Type AAA23851A, SPL 32-AAA23851A
7	---	Lock, Door Latch, SPL 31-AAA431AQ
8	FAA72N1	Nut, Fixing
9	V444BH1	Plug, Hole
10	6073F1	Run, Stop Switch
11	AAA635L3	Switch, Pushbutton, 3 A, 250 VAC; or 6 AMP, 125 VAC; or 0.75 AMP, 125 VDC

31-AAA7144CK

SES Keyswitch and Door Latch Lock (for MA, ME, NH, NJ Codes)

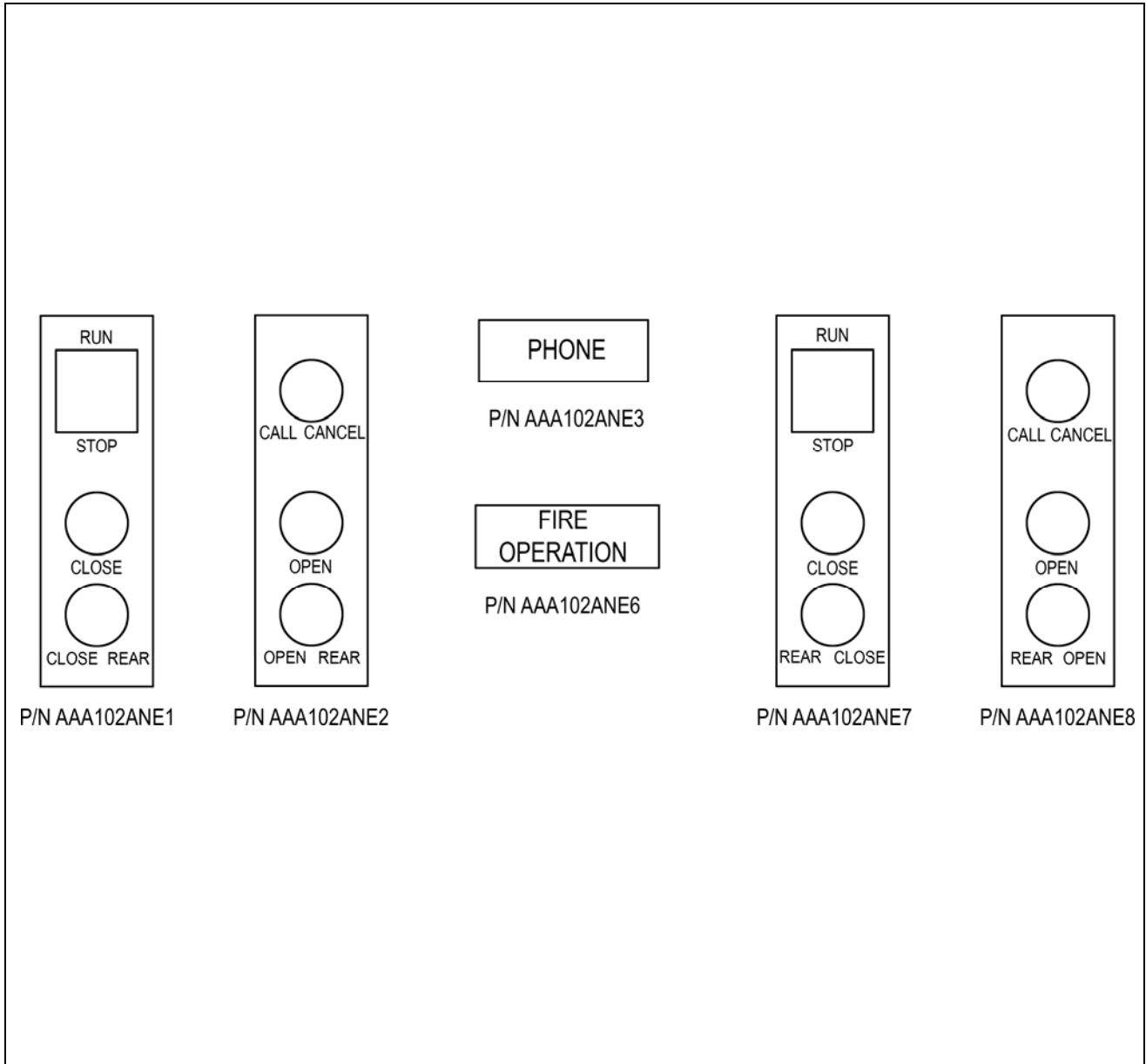


Configuration of firemen's cabinet with door latch lock for MA, ME, NH, and NJ. Except as noted LRUs (lowest replaceable parts) same as p. 3.

REF. No.	PART No.	DESCRIPTION
1	---	Door, Firemen's Service Cabinet, SPL 31-AAA406CE
2	---	Type AAA23851A Keyswitch, Firemen's SES Phase II, SPL 32-AAA23851A (not shown)
	---	Type AAA23500W Keyswitch, Firemen's SES Phase II, SPL 31-AAA23500F (shown)
3	---	Lock, Door Latch for MA, ME, NH, NJ, SPL 31-AAA431AQ

Fire Panel Labels

31-AAA7144CK



AAA7144CK		
PART No.	DESCRIPTION	CODE
AAA102ANE1	RUN/STOP-CLOSE-CLOSE REAR Panel	Pre ASME A17 1a-2008 / CSA B44a-08
AAA102ANE2	CALL CANCEL-OPEN-OPEN REAR Label	
AAA102ANE3	Phone Label	ASME A17.1-2004 / CSA B44-04 to Current
AAA102ANE6	Fire Operation Label	
AAA102ANE7	RUN/STOP-CLOSE- REAR CLOSE Panel	ASME A17 1a-2008 / CSA B44-08 and Later
AAA102ANE8	CALL CANCEL-OPEN- REAR OPEN Label	