

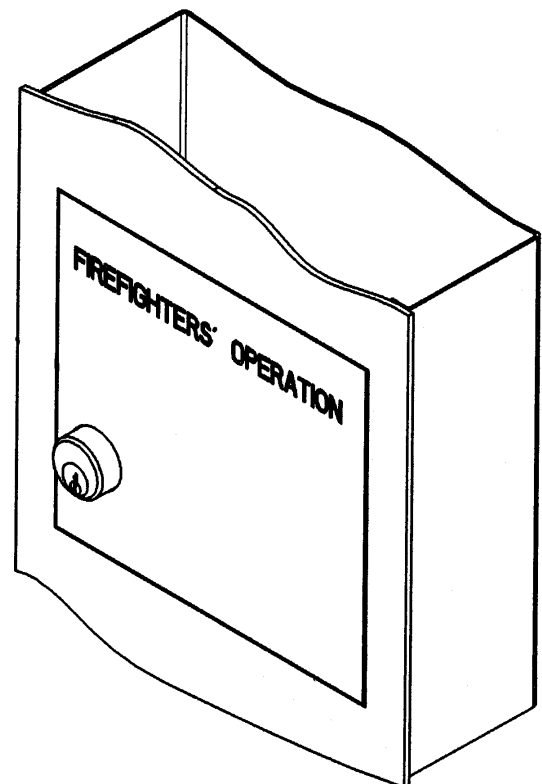
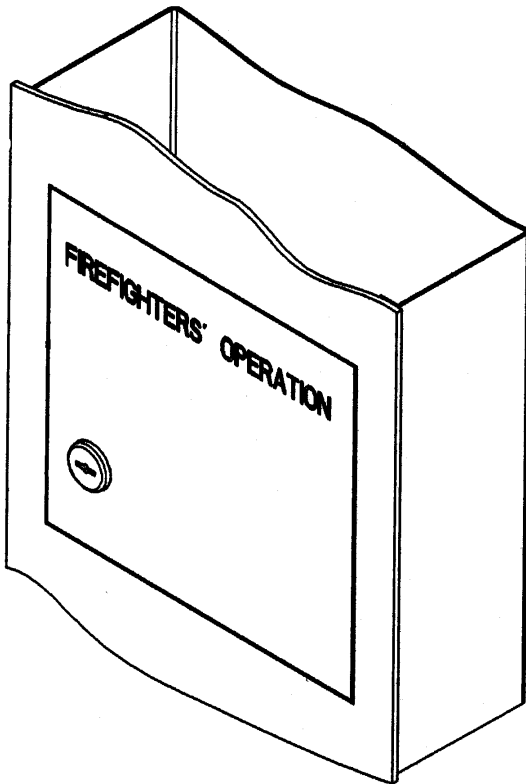
**Firefighter's Cabinet
(Modernization M3 COP)**

Spare Parts Leaflet

31-AAA7144CL

June 29, 2016 / Page 1 of 7

31 A-AAA7144CL



OTIS

**SERVICE ENGINEERING
Otis Elevator Company
Bloomfield, Connecticut USA**

Unpublished Work—© Otis Elevator Co.; 2016

Leaflet Description

This leaflet provides spare parts information for type AAA7144CL Firefighter's Cabinet for Modernization M3 car operating panel for new 2004 ANSI Code.

Leaflet Revisions

Date Revised	Subject Matter Expert	Reason for Revision
May 24, 2005	Joseph D. Zych	New leaflet
November 16, 2005	Joseph D. Zych	Added fire service cabinet bracket on p. 3, ref. 3; Updated illustration and parts list on p. 4
March 14, 2007	Michael Bertini	Added p/n AAA431AQ6 for AZFS Lock and p/n AAA431AQ7 for FEO-K1 (2006 Code) Lock on p. 3
July 16, 2008	Joseph D. Zych	Updated illustration on p. 4
October 6, 2010	Joseph D. Zych	pp 3–5 update SES and fire door, new pp 6, 7
April 3, 2013	Joseph D. Zych	Corrected artwork on pp. 3–4
January 14, 2015	Joseph D. Zych	Added p/n 6073F1 on p. 3
June 29, 2016	Joseph D. Zych	Corrected artwork on p. 5

Related Drawings

Drawing No.	Title
AAA7144CL	Firefighter's Cabinet Series 2 and 4 COP

Related Documents

Document ID	Title
31-AAA23500F	Keyswitch Assemblies Light Ring & Engraved Collar Version
31-AAA23500T	Phone Jack Assembly
31-AAA23500AK	Modular Luxury Fixture: Micro-Motion III Pushbuttons
31-AAA431AQ	Lock (for Fire Panels)

Subject Matter Expert

Name	Department
Joseph D. Zych	OSC Service Engineering

About Spare Parts Leaflets...

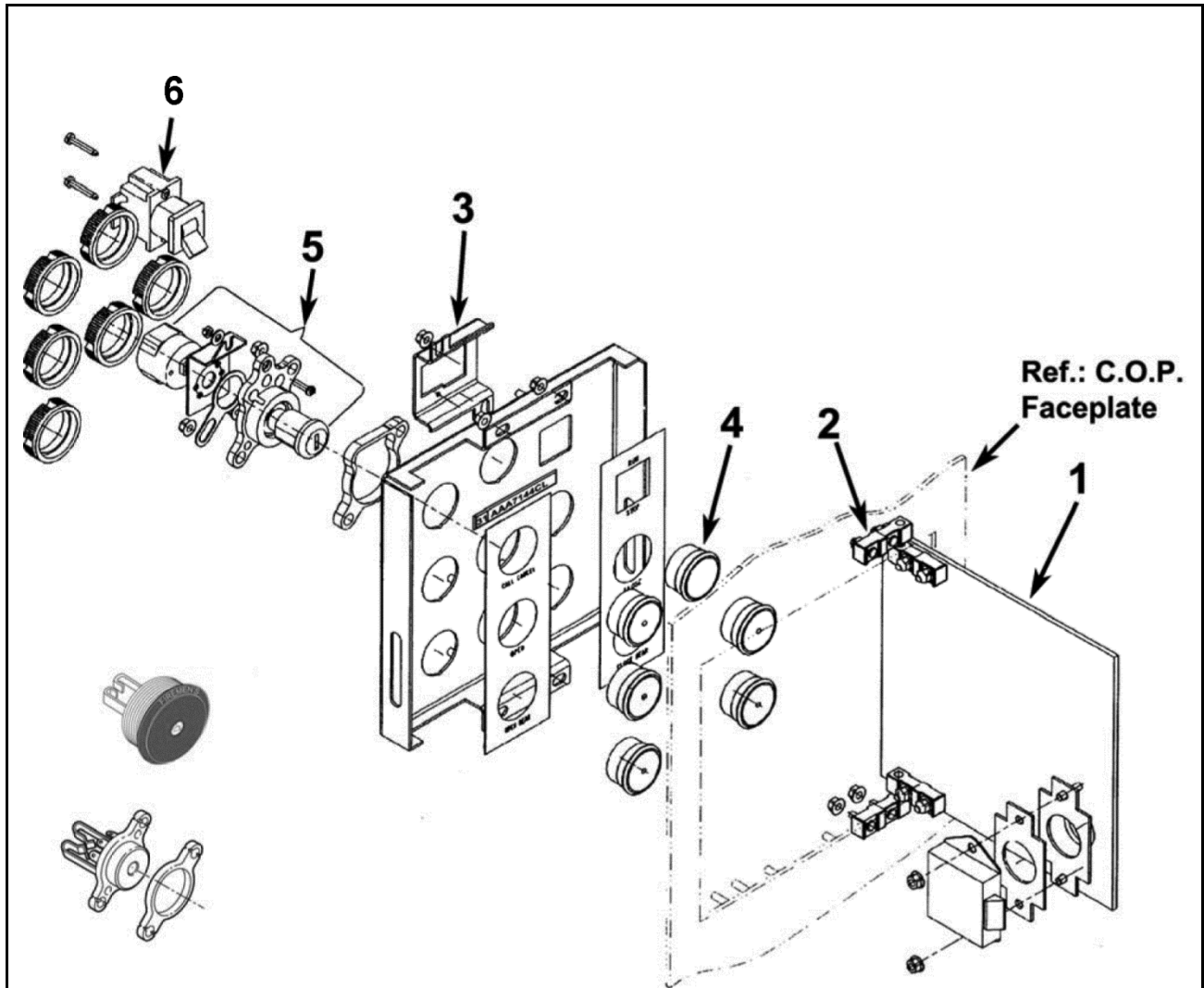
This document lists the lowest replaceable units (LRUs) for the standard version of the product. The LRUs are chosen by a team of Otis associates representing engineering and manufacturing.

While goal of this document is to make parts identification as easy as possible, the document cannot be all-inclusive. Elevator and escalator contracts classified as "special" or "custom" are not addressed here. For such contracts, please refer to specified information, the contract folder, TIPs, Field Education Articles, Construction Letters, etc. for further information.

If you have any suggestions about this document, please contact the subject matter expert listed on this page.

Firefighter's Cabinet w/ Northeast Door Lock

31-AAA7144CL

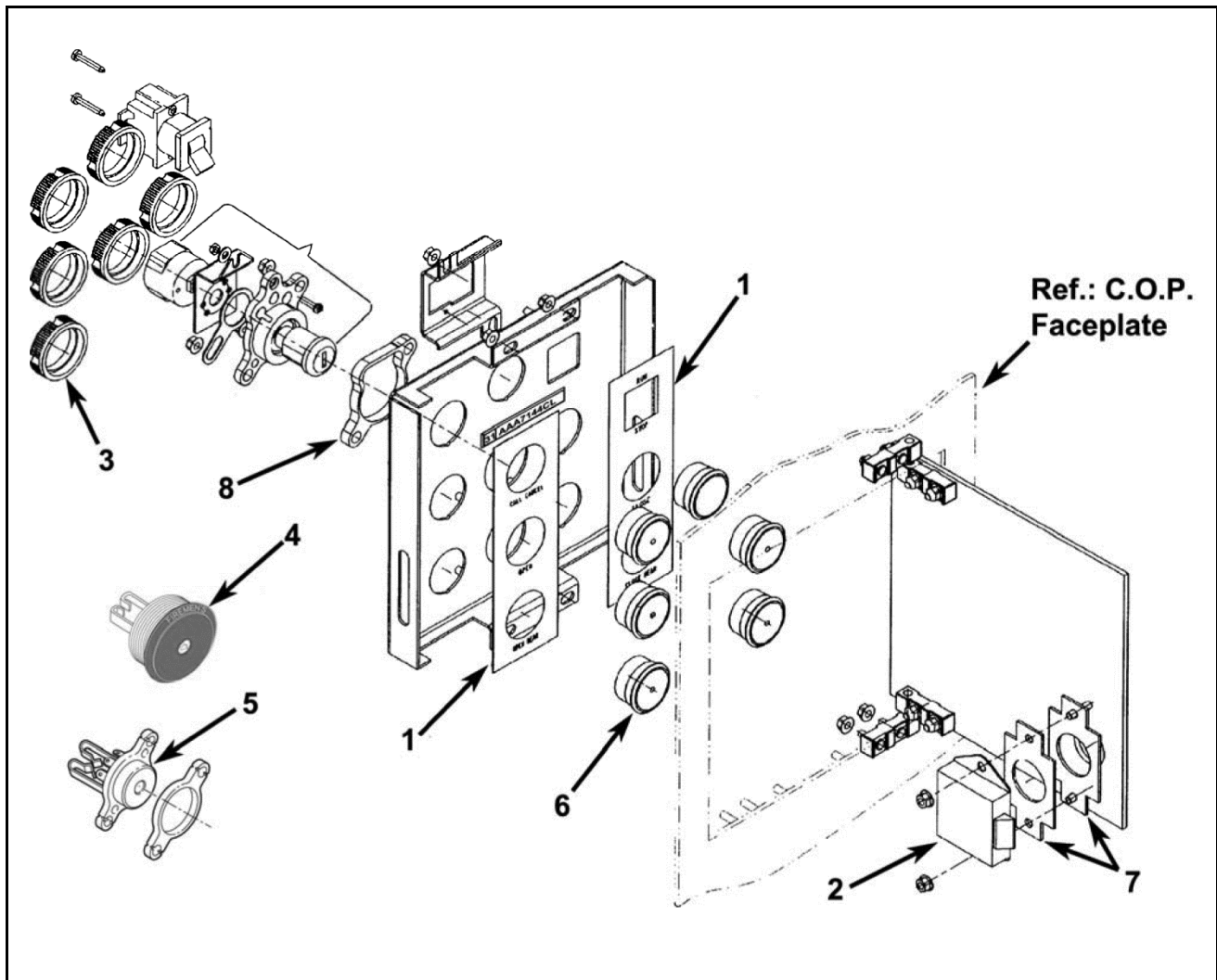


AAA7144CL		
REF. No.	PART No.	DESCRIPTION
1	---	Assembly, Door with Engraving p. 6
2	310LW1	Block, Hinge, Female
	310LW2	Block, Hinge, with 81BD4 Pin
3	AAA316FDY4	Bracket, Stop Switch
4	AAA23500AL11	Jewel, Fire Hat
5	---	Keyswitch, Firemen's SES, Phase II, SPL 31-AAA23500F
6	6073F1	Switch, Run – Stop, Emergency

Continued on Next Page

31-AAA7144CL

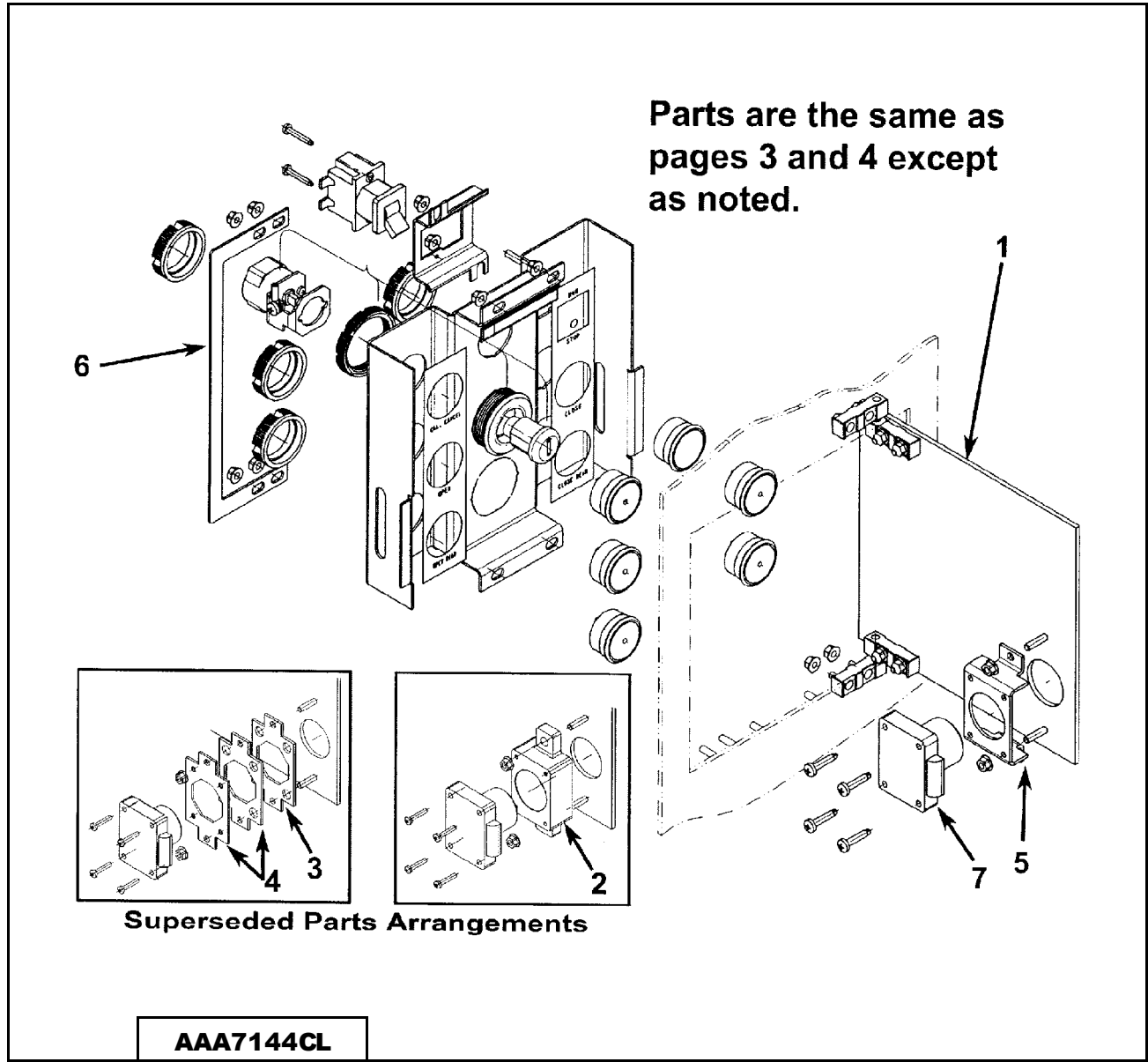
Firefighter's Cabinet With Northeast Door Lock

**AAA7144CL**

REF. No.	PART No.	DESCRIPTION
1	---	Label, p. 7
2	---	Lock (Northeast), Door Latch, SPL 31-AAA431AQ
3	FAA72N1	Nut, Fixing
4	---	Phone Jack, Firemen's, Keyswitch SPL 31-AAA23851A
5	---	Phone Jack, Firemen's, SPL 31-AAA23500T
6	---	Pushbutton, Type AAA23500AM, SPL 31-AAA23500AK
7	AAA255LP1	Shim, Lock, 16 GA (0.063 in.), Northeast Lock Only
8	AAA462JS2	Spacer, Keyswitch Adapter

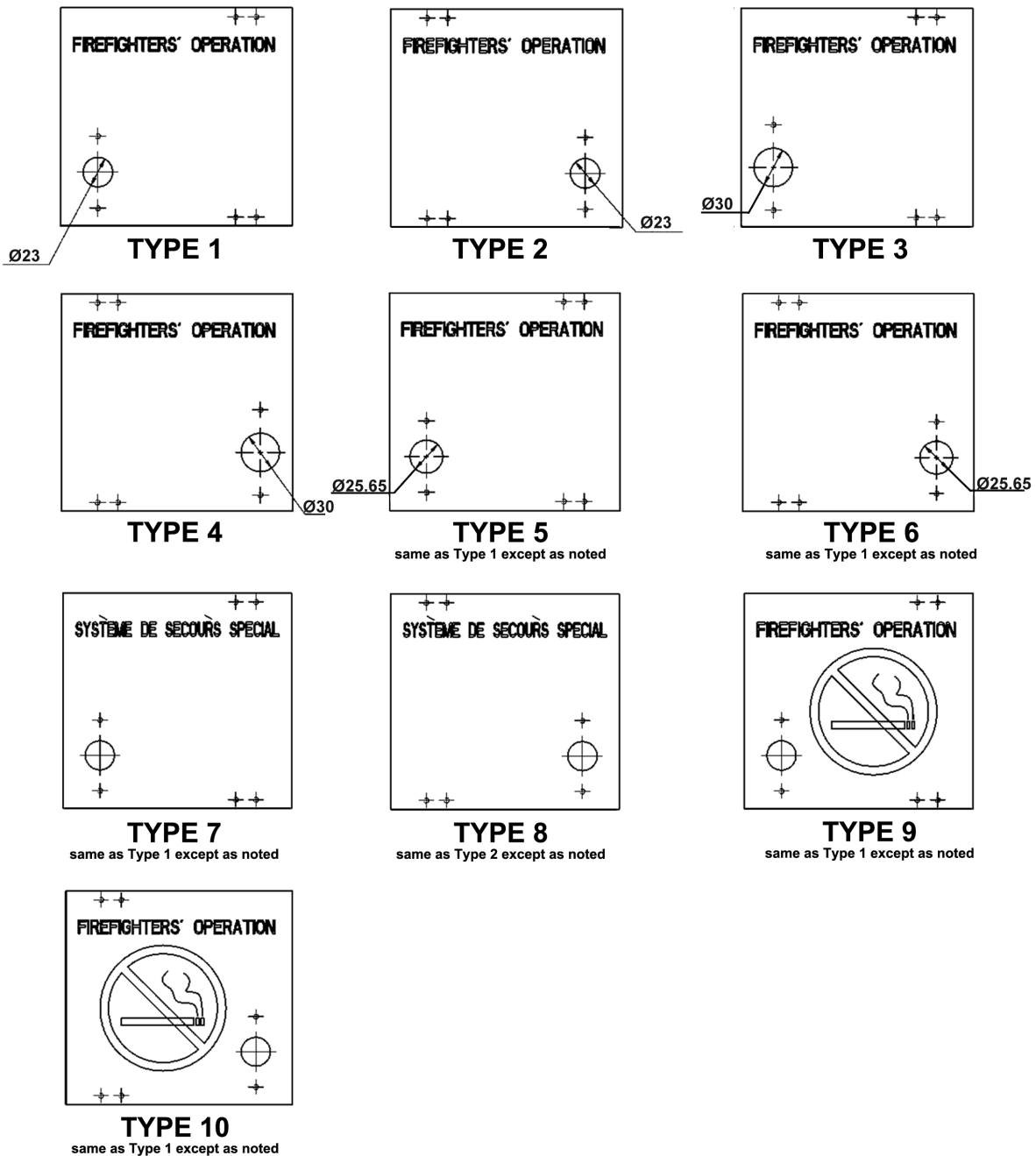
Firefighter's Cabinet w/Yale Door Lock Latch

31-AAA7144CL



AAA7144CL		
REF. No.	PART No.	DESCRIPTION
1	---	Assembly, Door with Engraving p. 6
2	AAA310VS4	Block, Yale Lock Shim, Ref. No. 5
3	AAA386LXV4	Bracket, Door Latch Lock (for Yale Type 3502 Lock), Ref. No. 5
4	AAA255LP2	Shim, Door Latch Lock (for Yale Type 3502 Lock), Ref. No. 5
5	AAA316HFQ1	Bracket, Door Latch Lock (for Yale Type 3502 Lock)
6	AAA316HFZ1	Bracket, Fireman's Cabinet (for Yale Type 3502 Lock)
7	---	Lock (Yale Type 3502), Door Latch, SPL 31-AAA431AQ

Firefighter's Cabinet Doors



AAA7144CL

REF. No.	PART No.	DESCRIPTION
1	AAA406CF_ _ _ _	Door, with Engraving

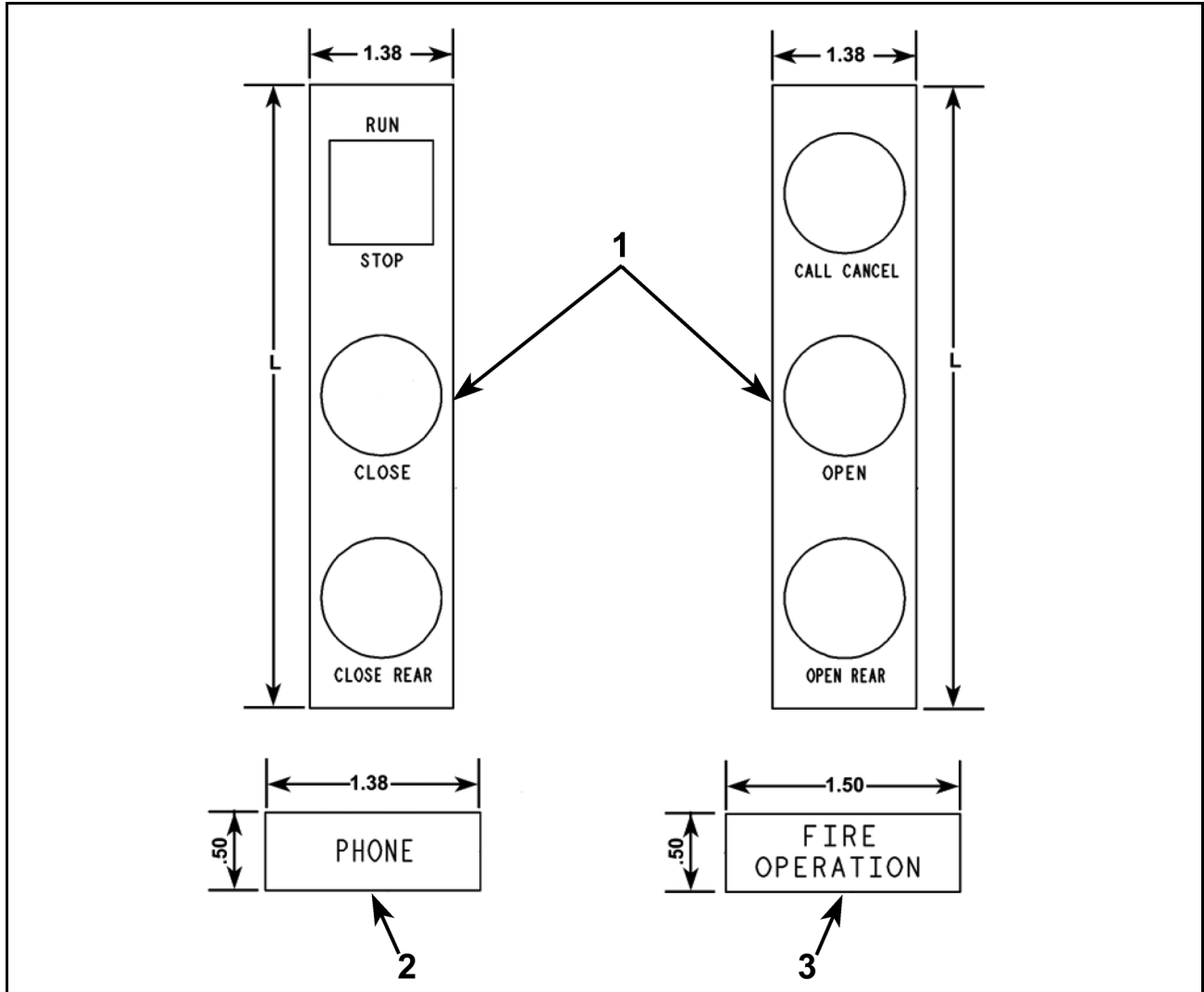
To complete a part number indicate the desired type number followed by the desired material finish of SS4, brushed steel; SS8, mirror stainless steel; BR7, brushed bronze; or BR8, mirror bronze.

EXAMPLE: AAA406CF6-BR8 specifies a left-hand opening firefighter's door with marking: firefighters' operation and 25.65 mm diameter hole for door lock latch in a mirror bronze finish.

Hand of door opening is direction the door opens facing it.

Firefighter's Cabinet Labels

31-AAA7144CL



AAA7144CL				
REF. No.	PART No.	DESCRIPTION	L (inch)	CODE
1	AAA102ANE4	Label Marked : Run/Stop, Close, Close Rear	6.0	Pre ASME A17.1A- 2008/B44
	AAA102ANE5	Label Marked : Call Cancel, Open, Open Rear	6.0	
	AAA102ANE13	Label: Run/Stop, Close, Close Rear (French)	6.18	
	AAA102ANE14	Label: Call Cancel, Open, Open Rear (French)	6.18	
	AAA102ANE9	Label marked : Run/Stop, Close, Close Rear	6.0	ASME A17.1a- 2008/B44
	AAA102ANE10	Label Marked : Call Cancel, Open, Rear Open	6.0	
	AAA102ANE11	Label Marked : Run/Stop, Close, Side Close	6.0	
	AAA102ANE12	Label Marked : Call Cancel, Open, Side Open	6.0	
2	AAA102ANE3	Label Marked : Phone	1.38	---
3	AAA102ANE6	Label marked : Fire Operation	1.50	