

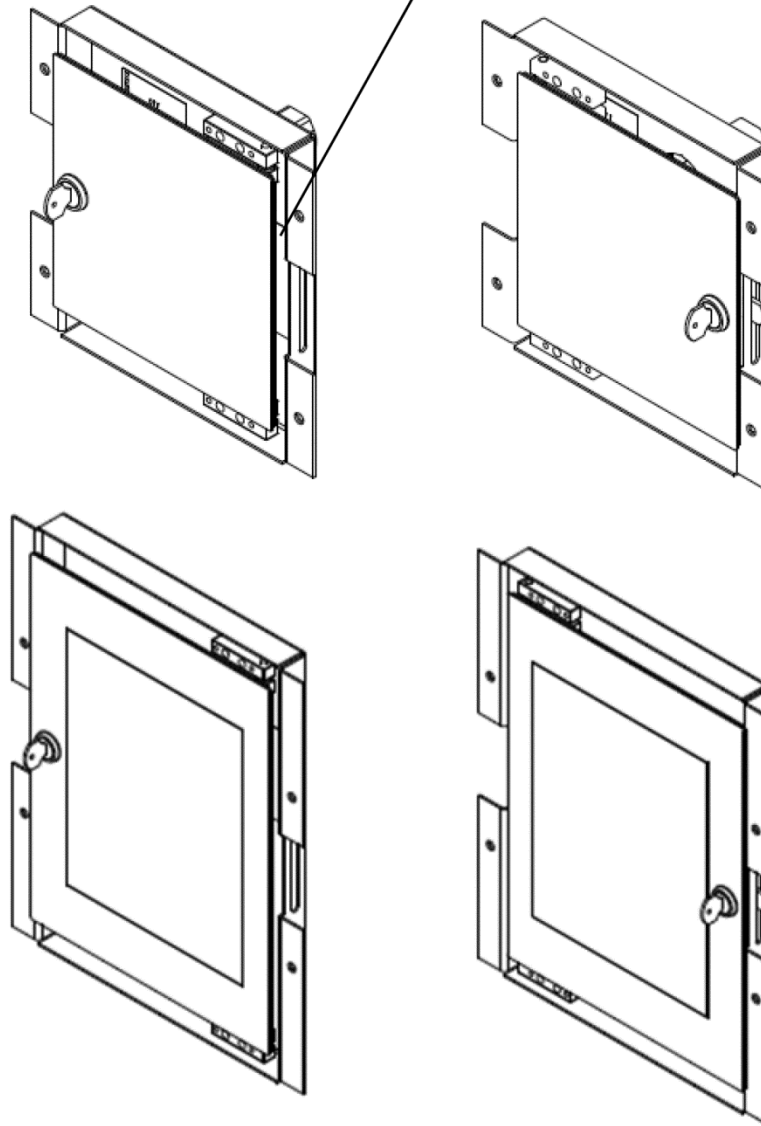
# Service Cabinet

## Spare Parts Leaflet

### 31-AAA7144CM

August 25, 2021 / Page 1 of 6

31 A - AAA7144CM



# OTIS

This document does not contain any technical data subject to EAR or ITAR

**SERVICE ENGINEERING**  
**Otis Elevator Company**  
**Bloomfield, Connecticut USA**

Unpublished Work—© Otis Elevator Co.; 2021

**Leaflet Description**

This leaflet provides spare parts information for the luxury swing return car operating panel, type AAA25000EN and touch screen and compass car operating panel, type AAA25000EZ.

**Leaflet Revisions**

<b>Date Revised</b>	<b>Subject Matter Expert</b>	<b>Reason for Revision</b>
February 8, 2017	Joseph Zych and Scott Phillippi	New SPL
June 21, 2017	Scott Phillippi	Updated History page
January 17, 2018	Joseph Zych and Scott Phillippi	Added ref. 2 to p. 5
December 18, 2019	Joseph Zych and Solomon Wanyonyi	Added p/n AAA310SX9
August 25, 2021	Vadzim Fedarenka	Added SPL 31-AAA403AE to pages 2, 3, 4; Updated SME information on history page

**Related Drawings**

<b>Drawing No.</b>	<b>Title</b>	<b>Drawing No.</b>	<b>Title</b>
AAA7144CM	Assembly, Touch Screen & Compass COP	6599A	Electrical Switches
AAA29501AD	CE Touch Components	AAA29501AE	MAD Touch Components
AAA25400ET	USB Extension Cable		

**Related Documents**

<b>Document ID</b>	<b>Title</b>
SPL 31-6599A	<i>Switches, Electrical Units for Fixtures Assembly</i>
SPL 31-AAA403AE	<i>Door, Service Cabinet</i>

**Subject Matter Expert**

<b>Name</b>	<b>Department</b>
Vadzim Fedarenka	OSC Service Engineering

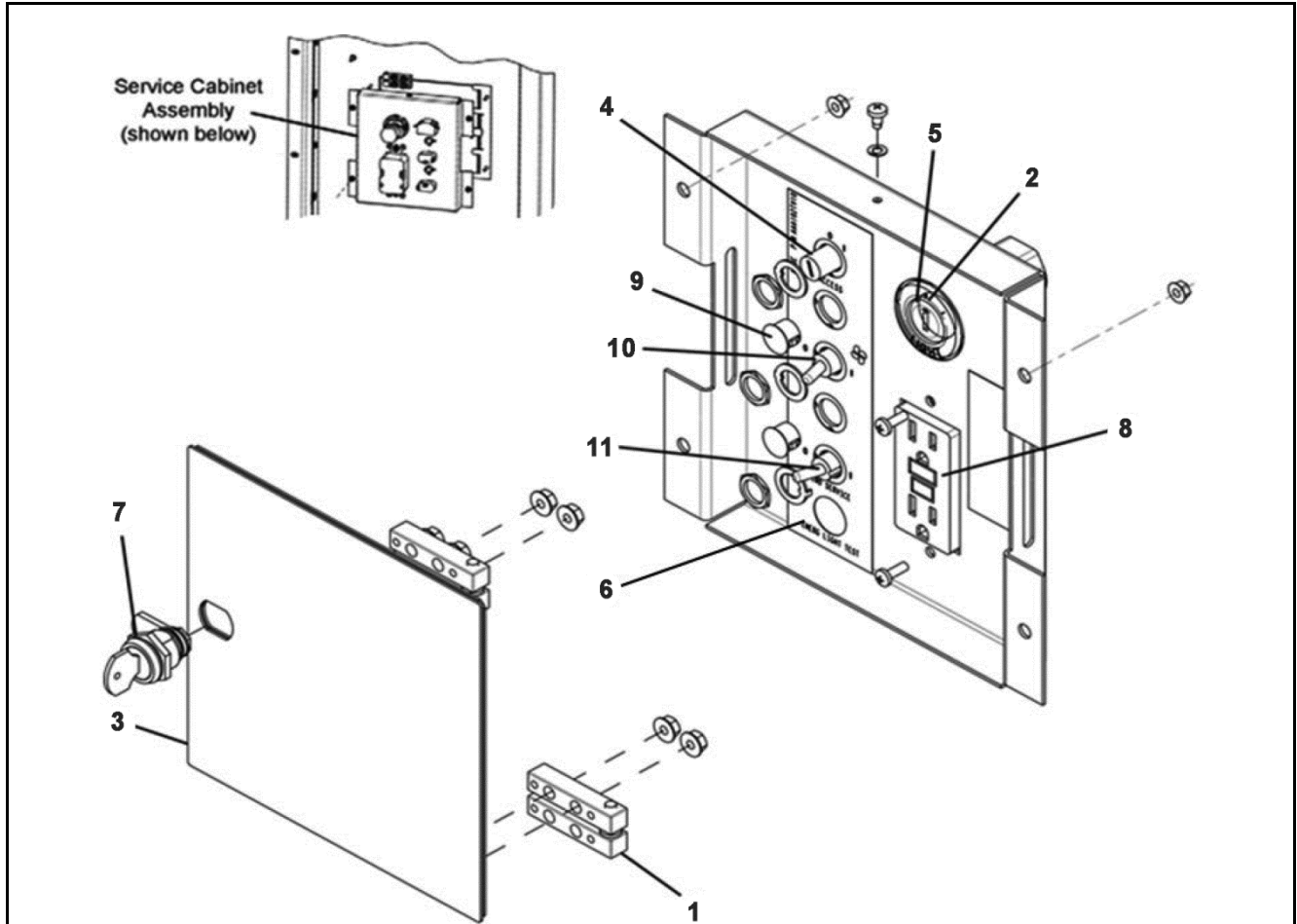
**About Spare Parts Leaflets...**

This document lists the lowest replaceable units (LRUs) for the standard version of the product. The LRUs are chosen by a team of Otis associates representing engineering and manufacturing.

While goal of this document is to make parts identification as easy as possible, the document cannot be all-inclusive. Elevator and escalator contracts classified as "special" or "custom" are not addressed here. For such contracts, please refer to specified information, the contract folder, TIPs, Field Education Articles, Construction Letters, etc. for further information. If you have any suggestions about this document, please contact the subject matter expert listed on this page.

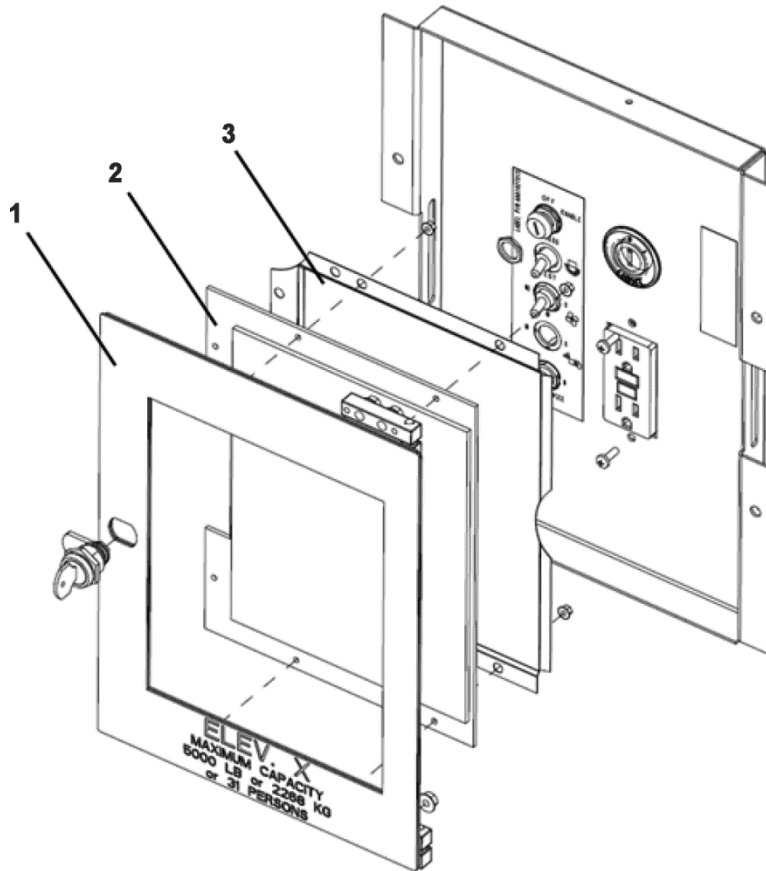
# Standard Service Cabinet


**31-AAA7144CM**



AAA7144CM		
REF. No.	PART No.	DESCRIPTION
1	AAA310SX4 AAA310SX9	Block, Hinge
2	---	Collar, Type AAA340CV,  SPL 31-AAA340CV
3	---	Door, Type AAA403AE, Contract Specific  SPL 31-AAA403AE
4	6410R3	Keyswitch, Access
5	---	Keyswitch, Light, Type AAA23851A,  SPL 32-AAA23851A
6	---	Label, Service Cabinet (see p. 4)
7	431Y3-DC	Lock
8	641A4 641A3	Outlet, Duplex
9	AAA444DG6	Plug
10	---	Switch, Toggle, Fan, Type 6599A,  SPL 31-6599A
11	6599A20	Switch, Toggle, Independent Service
*	6599A19	Switch, Toggle, Emergency Light Test
*	6599A20	Switch, Toggle, Card Reader Cutoff

\* Part not shown.

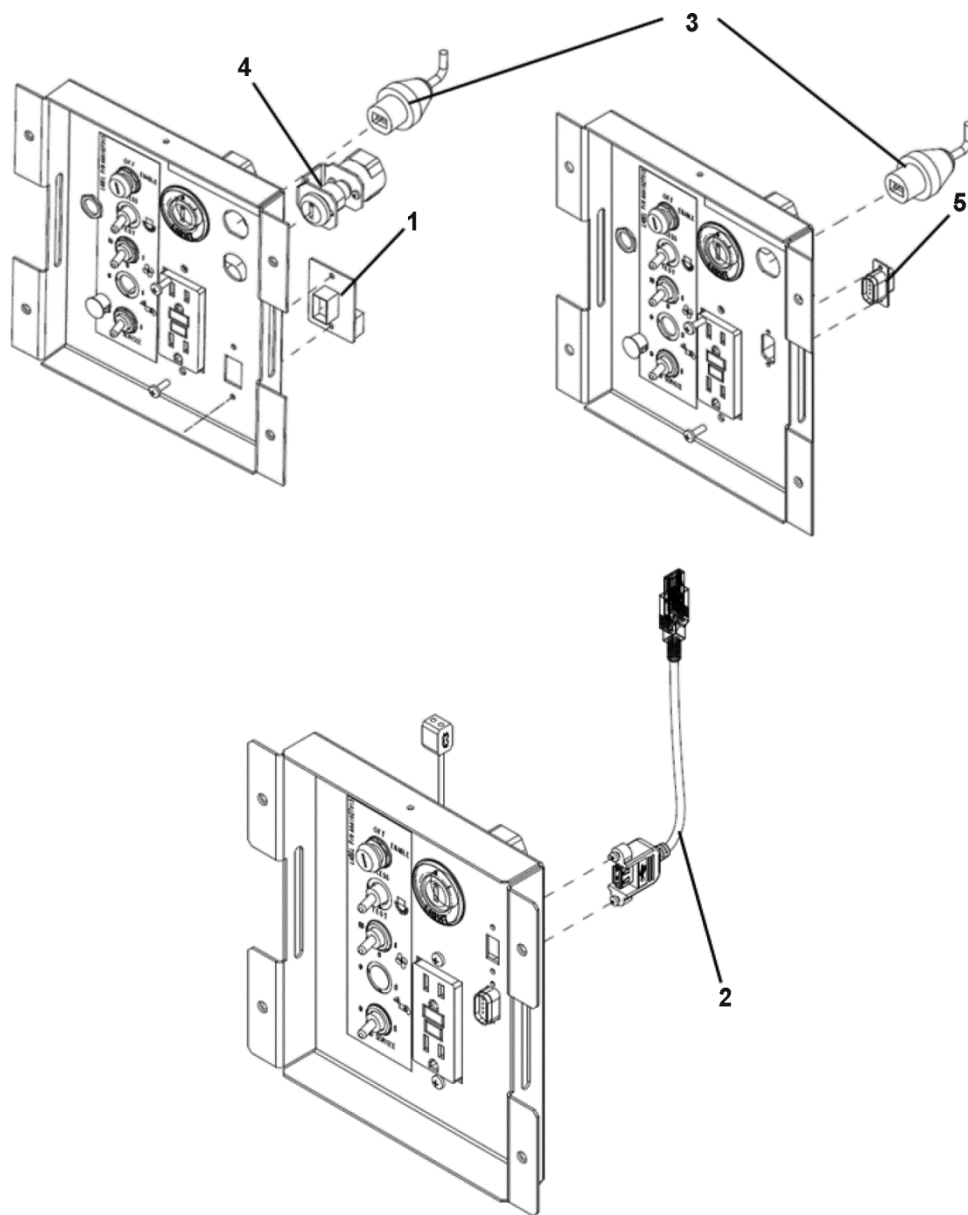


AAA7144CM		
REF. No.	PART No.	DESCRIPTION
1	---	Door, Type AAA403AE, Contract Specific  SPL 31-AAA403AE
2	AAA443GM1	Lens, Certificate Window
3	386AXN3	Plate, Window Backing

**NOTE:** Same as standard service cabinet except where shown.

# Touch Screen Service Cabinet

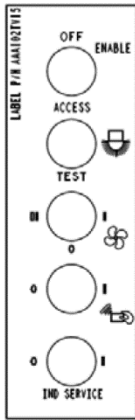
**31-AAA7144CM**



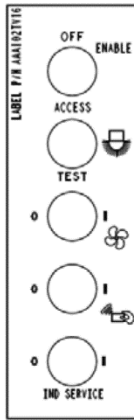
<b>AAA7144CM</b>		
<b>REF. No.</b>	<b>PART No.</b>	<b>DESCRIPTION</b>
*	AAA29501AE41	Adapter, MAD Service Port USB
1	AAA29501AE40	Board, MAD Touch Screen Service Port
2	AAA25400ET1	Cable, USB Extension, w/ 2 m (6.5 ft.) Cord, w/ Screws
3	AAA29501AD101	CE Touch Screen / Elite PI USB Service Port w/ 6 ft. Cord
	AAA29501AD102	CE Touch Screen / Elite PI USB Service Port w/ 15 ft. Cord
4	AAA23851A212	Keyswitch, MAD Touch Screen
5	AAA648A2	Port, Otis LCD Service

\* Part not shown.

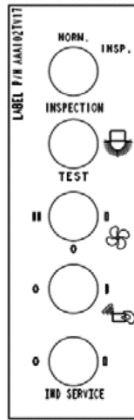
**NOTE:** Same as standard service cabinet except where shown.



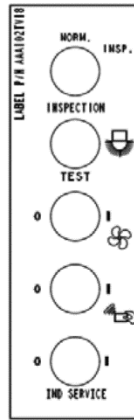
AAA102TV15



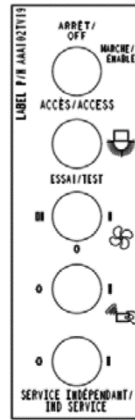
AAA102TV16



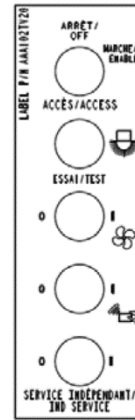
AAA102TV17



AAA102TV18



AAA102TV19



AAA102TV20

RESET CPU / CALIBRATE

AAA102BBG1

PIDI SERVICE PORT

AAA102BBG2

TOUCH SCREEN SERVICE PORT

AAA102BBG3

RÉINITIALISER CPU / CALIBRER

AAA102BBG4

PIDI PORT DE SERVICE

AAA102BBG5

PORT DE SERVICE ÉCRAN TACTILE

AAA102BBG6

<b>AAA7144CM</b>	
<b>PART No.</b>	<b>DESCRIPTION</b>
AAA102TV15	Label, Service Cabinet, English, Access w/ 2-Speed Fan
AAA102TV16	Label, Service Cabinet, English, Access w/ Single-Speed Fan
AAA102TV17	Label, Service Cabinet, English, Inspection w/ 2-Speed Fan
AAA102TV18	Label, Service Cabinet, English, Inspection w/ Single-Speed Fan
AAA102TV19	Label, Service Cabinet, English/French, Access w/ 2-Speed Fan
AAA102TV20	Label, Service Cabinet, English/French, Access w/ Single-Speed Fan
AAA102BBG1	Label, Service Cabinet, English, RESET CPU / CALIBRATE
AAA102BBG2	Label, Service Cabinet, English, PIDI SERVICE PORT
AAA102BBG3	Label, Service Cabinet, English, TOUCH SCREEN SERVICE PORT
AAA102BBG4	Label, Service Cabinet, French, RESET CPU / CALIBRATE
AAA102BBG5	Label, Service Cabinet, French, PIDI SERVICE PORT
AAA102BBG6	Label, Service Cabinet, French, TOUCH SCREEN SERVICE PORT