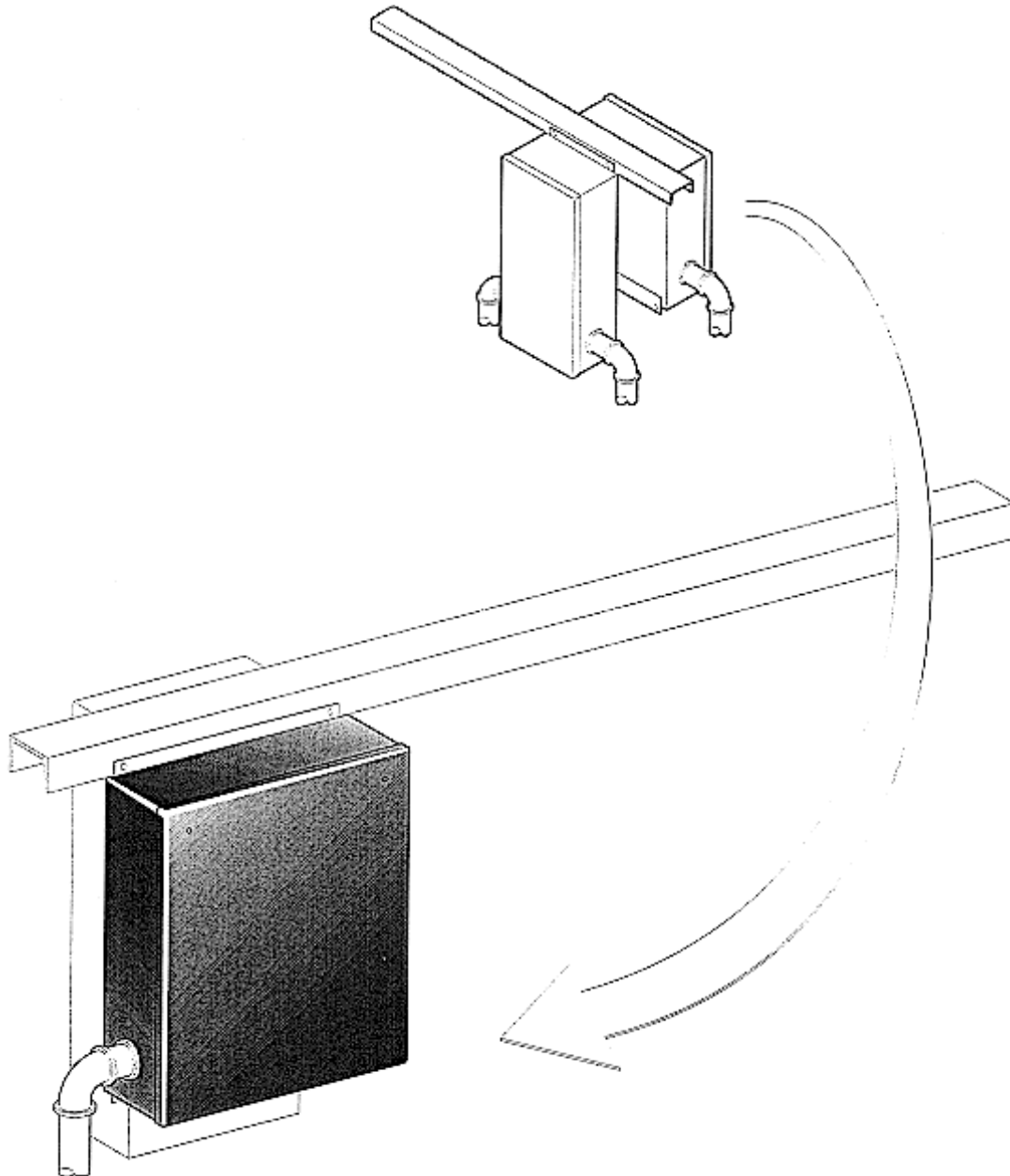


**SPL 31-AAA7145BY - Luxury Ride/Door Dwell Interface Box, Application:
ELEVONIC 411**

Unpublished Work - © Otis Elevator Company. Any unauthorized reproduction, disclosure, or distribution of copies or content by any person of any portion of this work may be a violation of Copyright Law of the United States of America. All rights reserved.

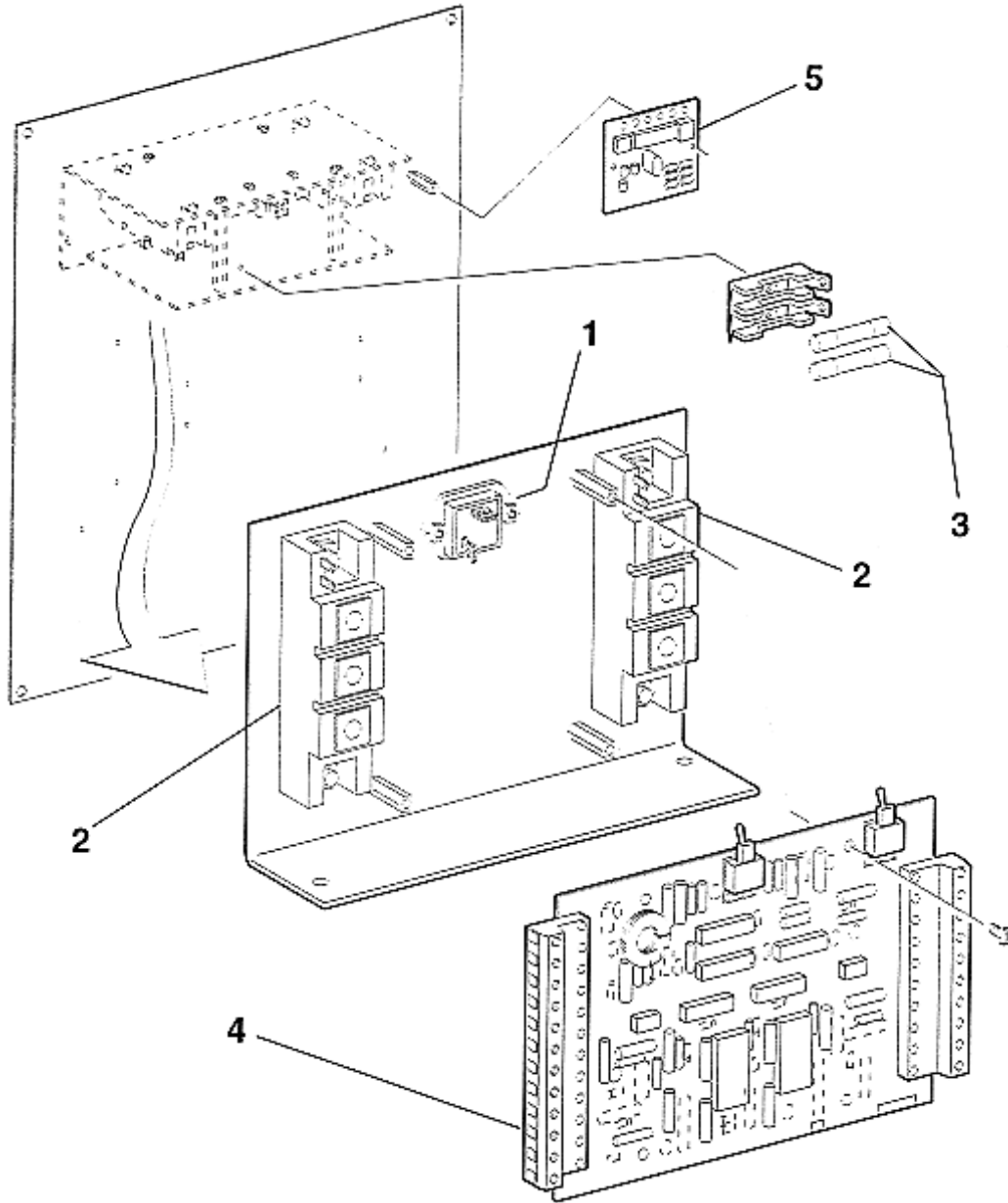
June 1997

Page 1



**SPL 31-AAA7145BY - Luxury Ride/Door Dwell Interface Box, Application:
ELEVONIC 411**

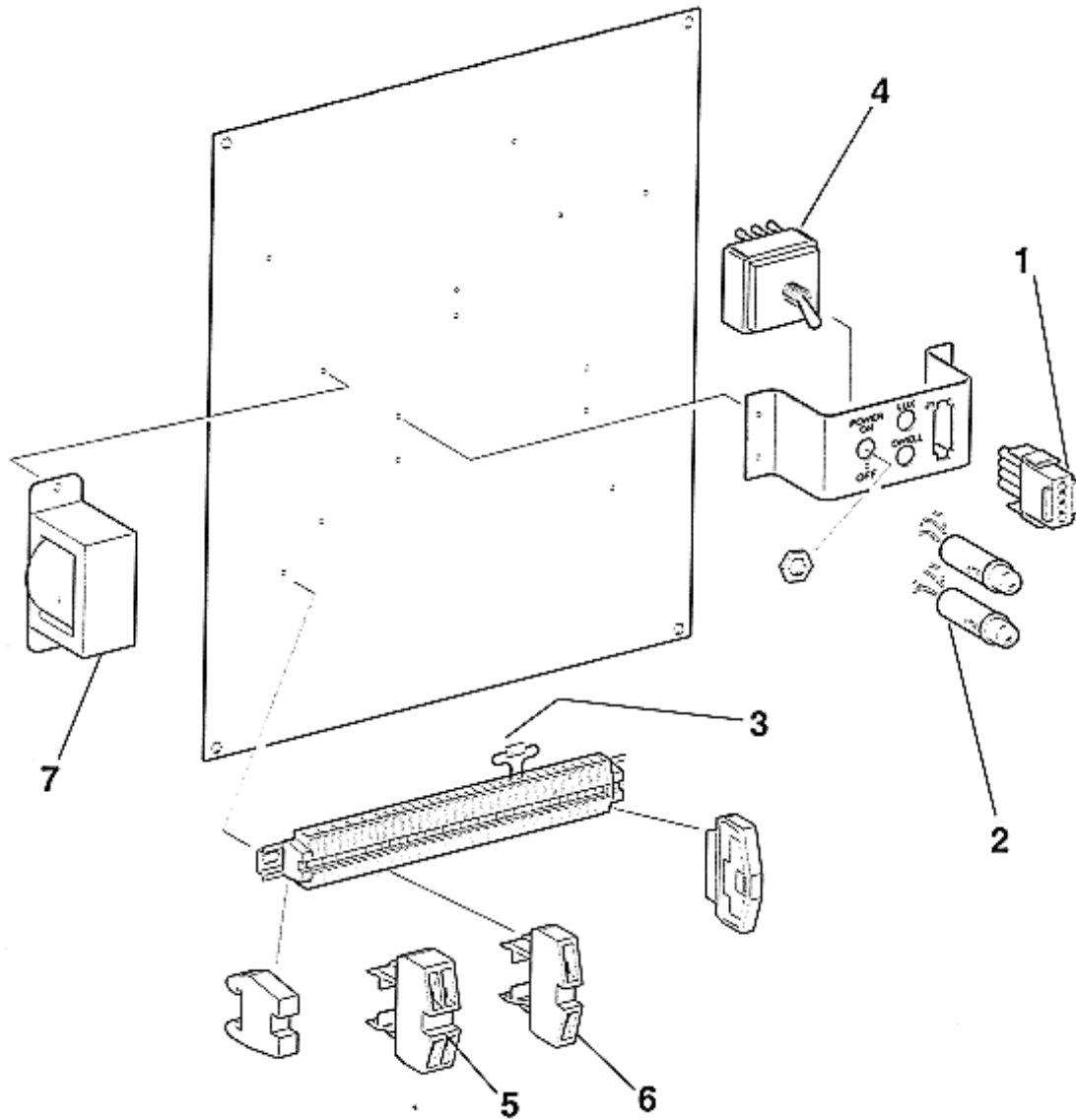
Page 2



AAA7145BY		
REF. NO.	PART OR ML	DESCRIPTION
1	AAA612AD1	Diode Module
2	AAA612AB1	Diode Module
3	375T2	Fuse, 2 A
4	AAA26800HA1	PC Board, Luxury Ride Interface
5	9693C4	PC Board, Remote Station-4

**SPL 31-AAA7145BY - Luxury Ride/Door Dwell Interface Box, Application:
ELEVONIC 411**

Page 3



AAA7145BY		
REF. NO.	PART OR ML	DESCRIPTION
1	176FF6	Connector, Cap, 4-Circuit
2	AAA424AB1	Lamp, Indicator, Red Neon
3	605R2	Suppressor
4	177CN3	Switch, Toggle, 3 Pole Single Throw, 10A 250V
5	AA303EJ3	Terminal Block, Double Entry, 14/26 AWG (TB16-19 & 29)
6	AAA303EJ1	Terminal Block, Single Entry, 14/26 AWG
7	AAA236GL1	Transformer, Primary 115/230V, 50/60 Hz.; Secondary 24V