

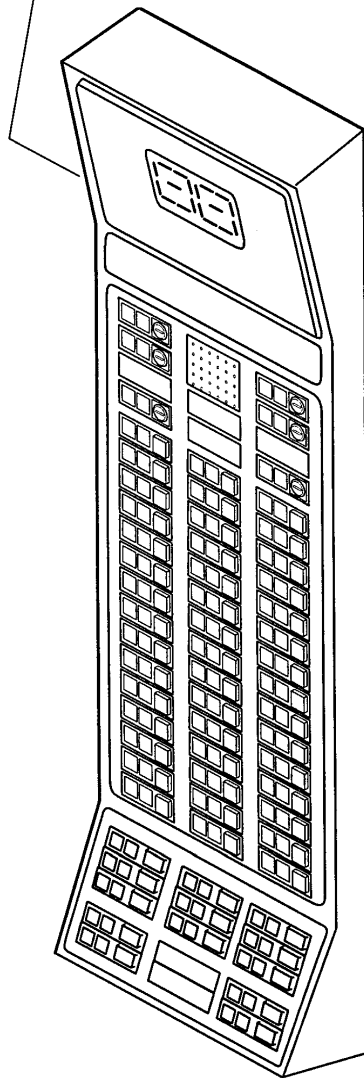
Advanced Fixtures Car Operating Panel GEM Series 1

Spare Parts Leaflet

31-AAA7155BS

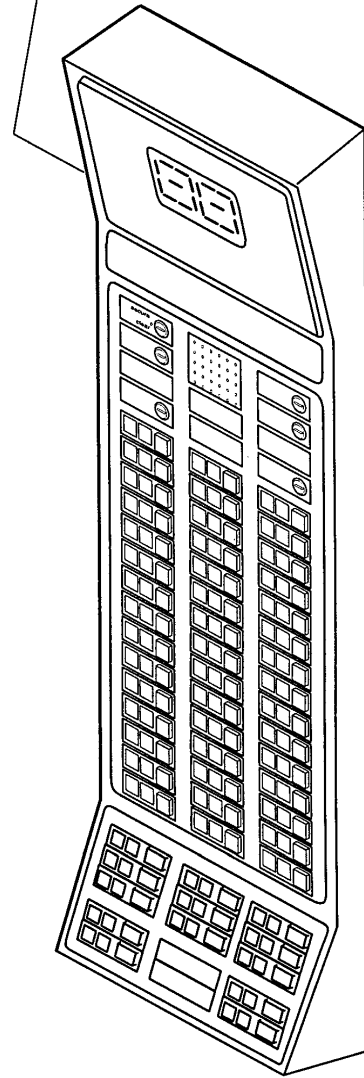
March 3, 2009 / Page 1 of 8

31 R-AAA7155BS



W→ Type AAA7069BH Keyswitches
and 250D/E Graphic Inserts

31 R-AAB7155BS



W→ Type AAA7069AAK Keyswitches
and Type 396LB Chicklets

Unpublished Work—© Otis Elevator Co.; 2009

OTIS

Safety First!

SERVICE ENGINEERING

Otis Elevator Company

Bloomfield, Connecticut USA

Leaflet Description

This leaflet provides spare parts information for type AAA7155BS advanced fixtures.

Leaflet Revisions

Date Revised	Subject Matter Expert	Reason for Revision
August 1997	Katherine Smith	Update parts and artwork
June 1, 1999	Val Minnes	Correct parts and add history page
June 1, 2000	Val Minnes	Correct parts on p. 5
November 1, 2000	Stephen Karvazy	Change ref. 4 on p. 4 and break up dense pages
March 3, 2009	Joseph Zych	Corrected ref. 1 on p. 5 and ref. 3 on p. 7

Related Drawings

Drawing No.	Title	Drawing No.	Title
AAA7155BS	Advanced Fixtures Car Operating Panel GEM Series 1	AAB7155BS	Advanced Fixtures Car Operating Panel GEM Series 1

Related Documents

Document ID	Title
31-396LB	Chicklet GEM Series 1 & 2
31-7069AF	Advanced Fixtures
31-250D	Advanced Fixtures, Graphic Inserts
31-AAA250G	Advanced Fixtures, Graphic Inserts
31-7069AG	Advanced Fixtures, Jewel Modules for Hall & Car Panels, 3-Wire Configuration w/ Incandescent Lamps
31-7069AH	Advanced Fixture - Part, 7069AH Keyswitch Module, Product Application 1981-1990
31-AAA7069AAK	Keyswitch Module
31-AAA7069BH	Keyswitch Module

Subject Matter Expert

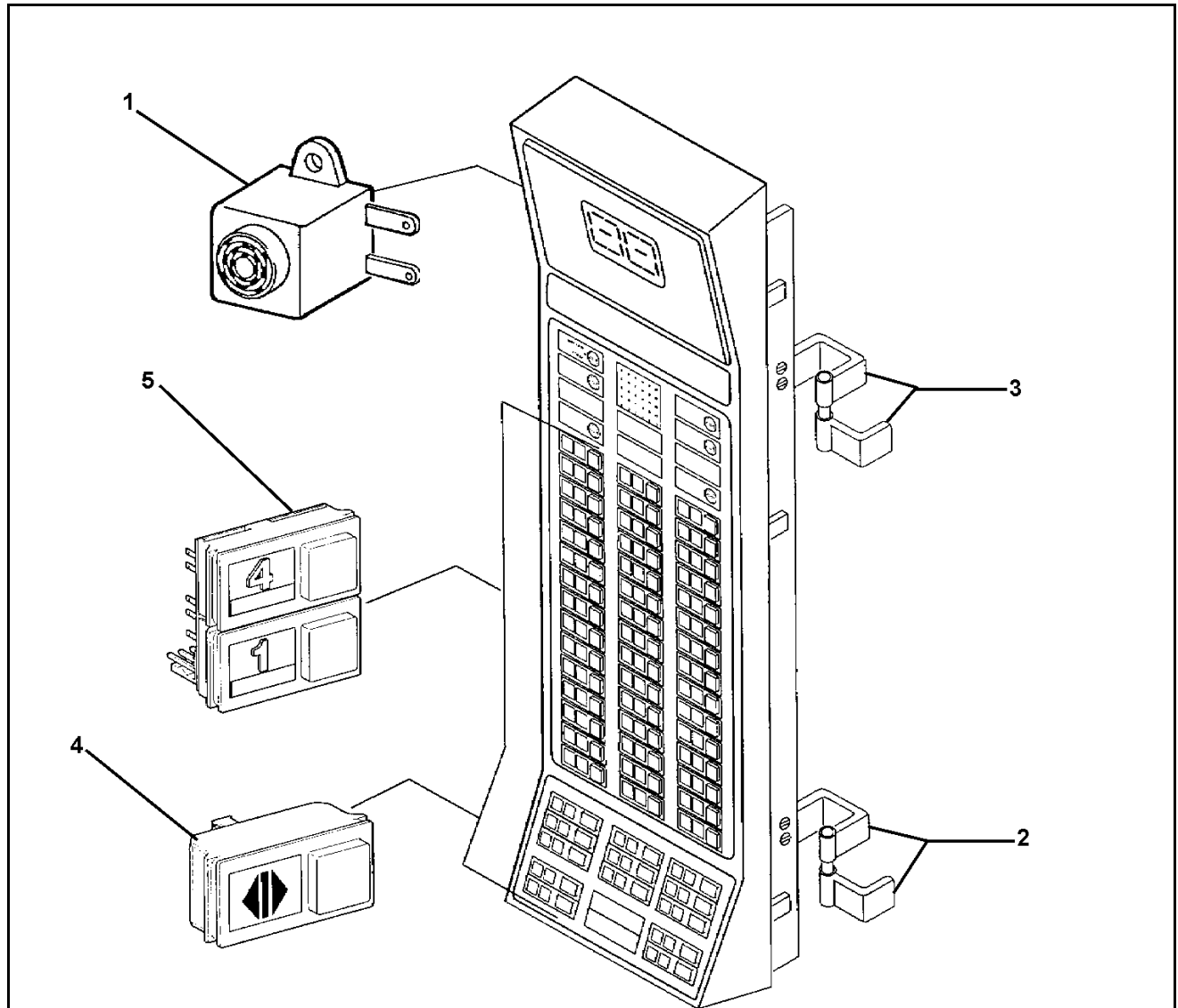
Name	Department
Joseph D. Zych	OSC Service Engineering







About Spare Parts Leaflets...

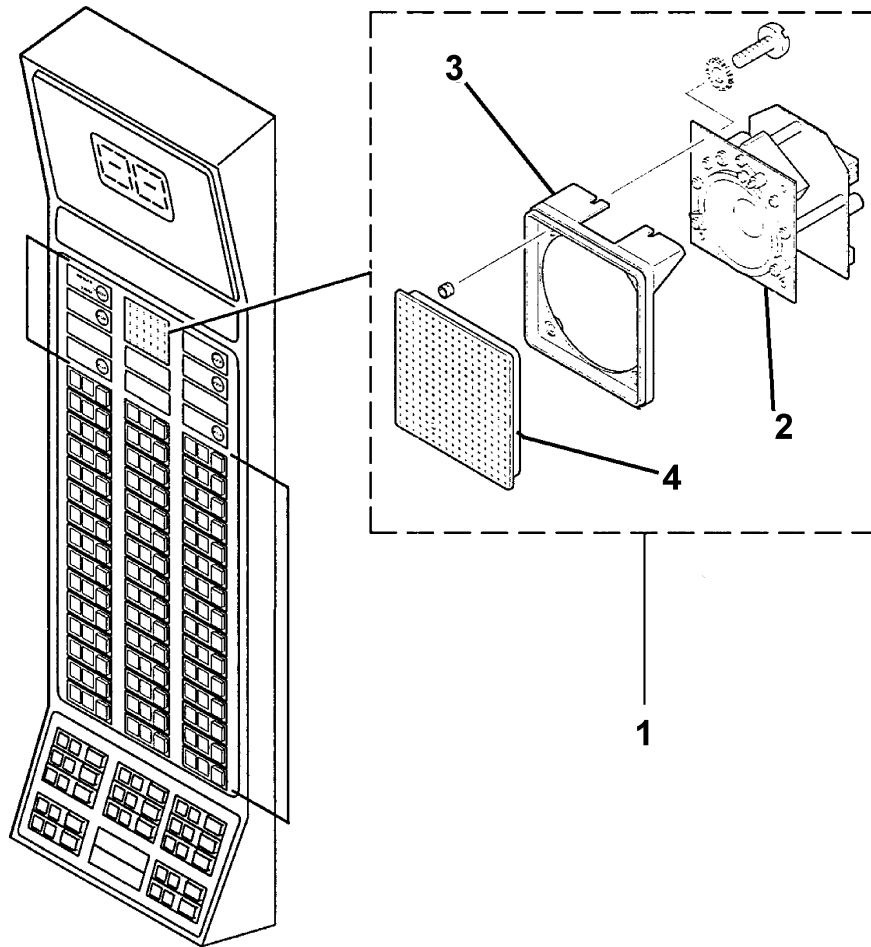
This document lists the lowest replaceable units (LRUs) for the standard version of the product. The LRUs are chosen by a team of Otis associates representing engineering and manufacturing.

While goal of this document is to make parts identification as easy as possible, the document cannot be all-inclusive. Elevator and escalator contracts classified as "special" or "custom" are not addressed here. For such contracts, please refer to specified information, the contract folder, TIPs, Field Education Articles, Construction Letters, etc. for further information.

If you have any suggestions about this document, please contact the subject matter expert listed on this page.



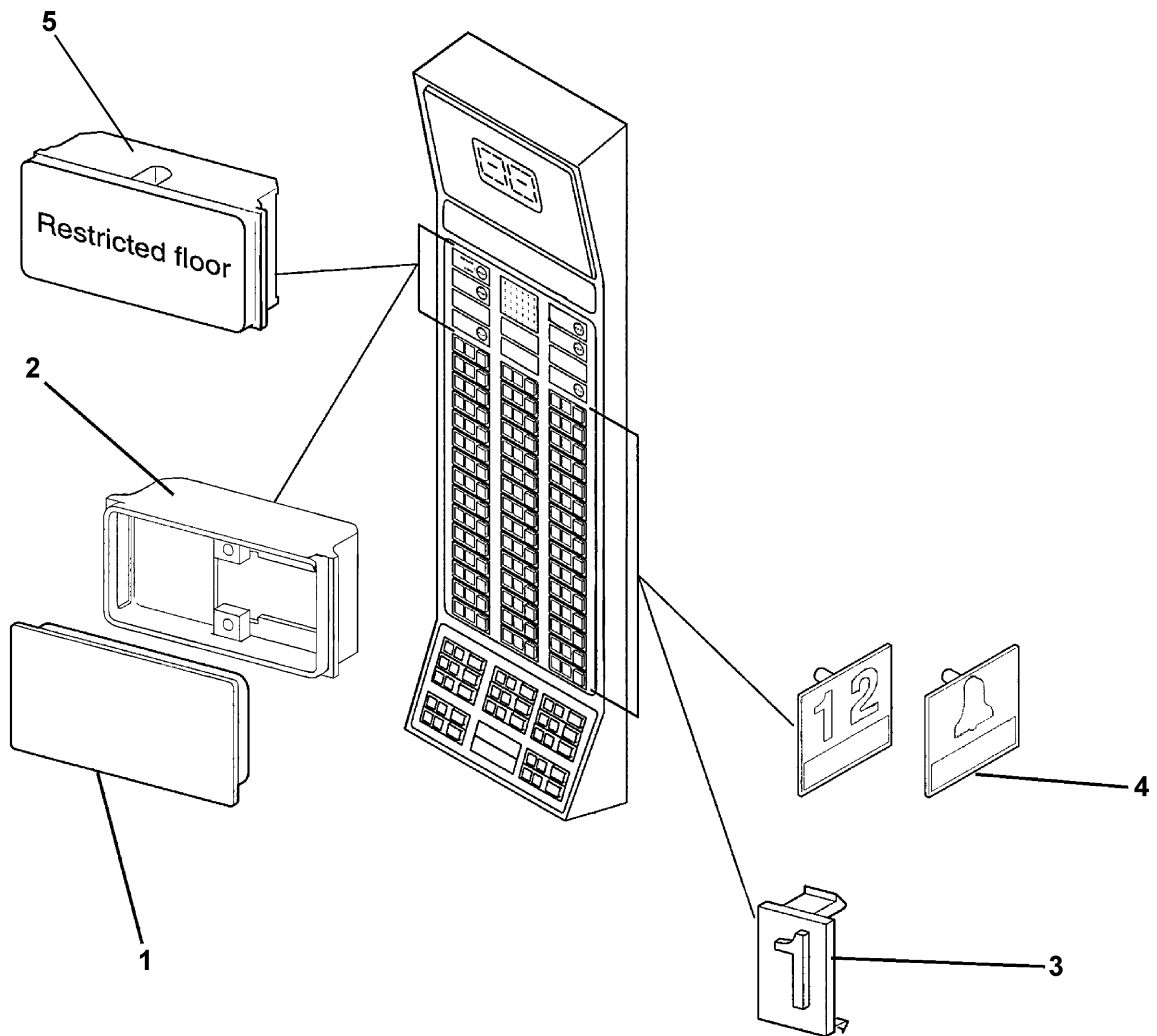
REF. No.	PART No.		DESCRIPTION
	AAA7155BS	AAB7155BS	
1	6219F3		Buzzer
2	391CA1	391CA6	Hinge, Lower, 
	391CA2	391CA7	Hinge, Lower,  shown
3	391CA3	391CA8	Hinge, Upper, 
	391CA4	391CA9	Hinge, Upper,  shown
4	---		Modules, Service Button, Type 7069AF,  SPL 31-7069AF
5	---		Modules, Floor Button, Type 7069BF,  SPL 31-7069BF



AAA7155BS AAB7155BS		
REF. No.	PART No.	DESCRIPTION
1	AAA7069AAH1	Assembly, Intercom, Otis Manf. w/ Ref. 2, 3, 4
2	AAA433PS1	Assembly, Intercom, Speaker
3	396NB1	Housing, Intercom
4	AAA396NE2	Housing, Speaker

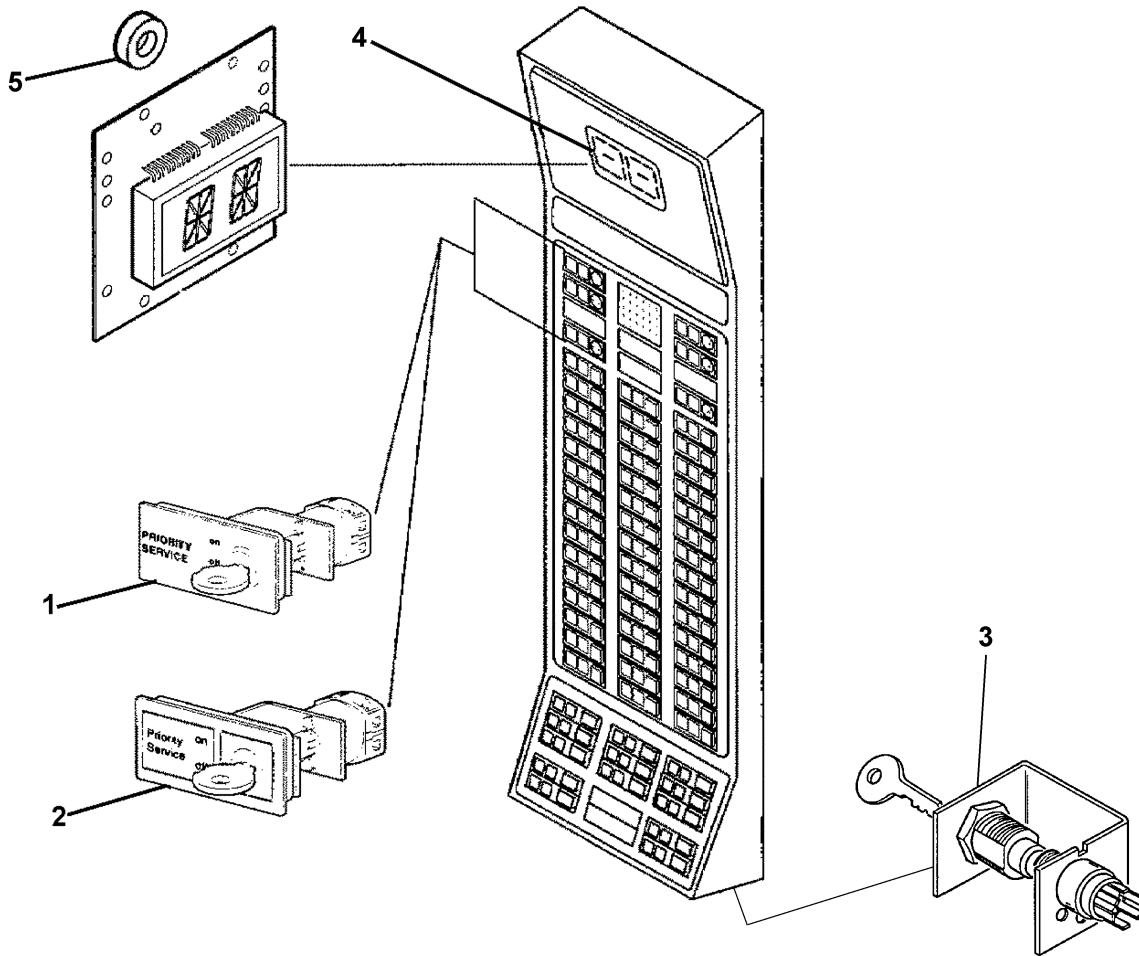
Chicklets, Jewels, Inserts

31-AAA7155BS




**AAA7155BS
AAB7155BS**

REF. No.	PART No.	DESCRIPTION
1	396LB	Chicklet, Blank or Non-Illuminated Sign, SPL 31-396LB
2	396VB1	Housing, Type 396LB Chicklet
3	---	Insert, Graphic, Single, Type 250D_, SPL 31-250D for Insert Specifics
4	---	Insert, Raised Character, Type AAA250G_, SPL 31-250G for Insert Specifics
5	---	Jewel, Type 7069AG, SPL 31-7069AG

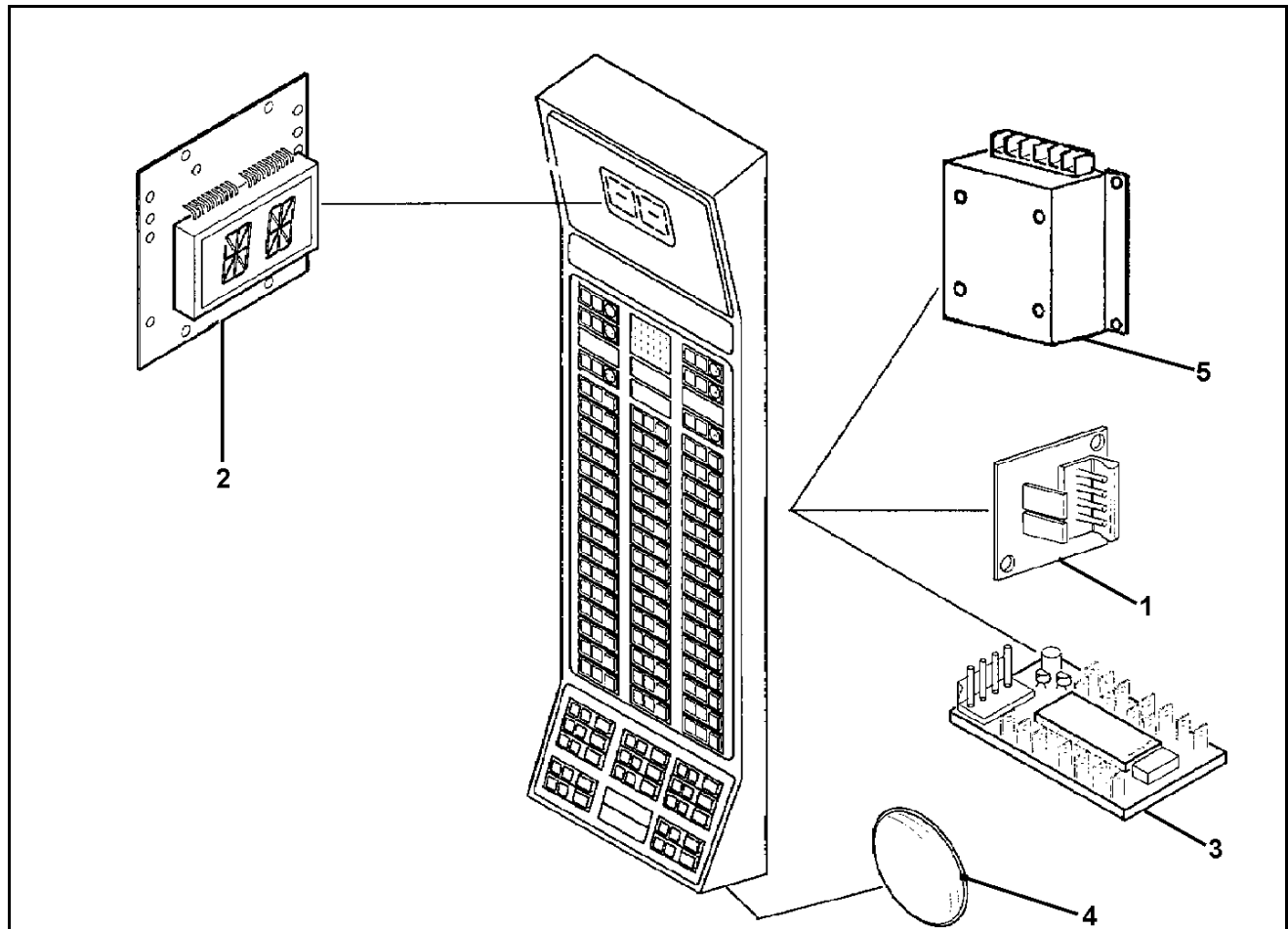


**AAA7155BS
AAB7155BS**

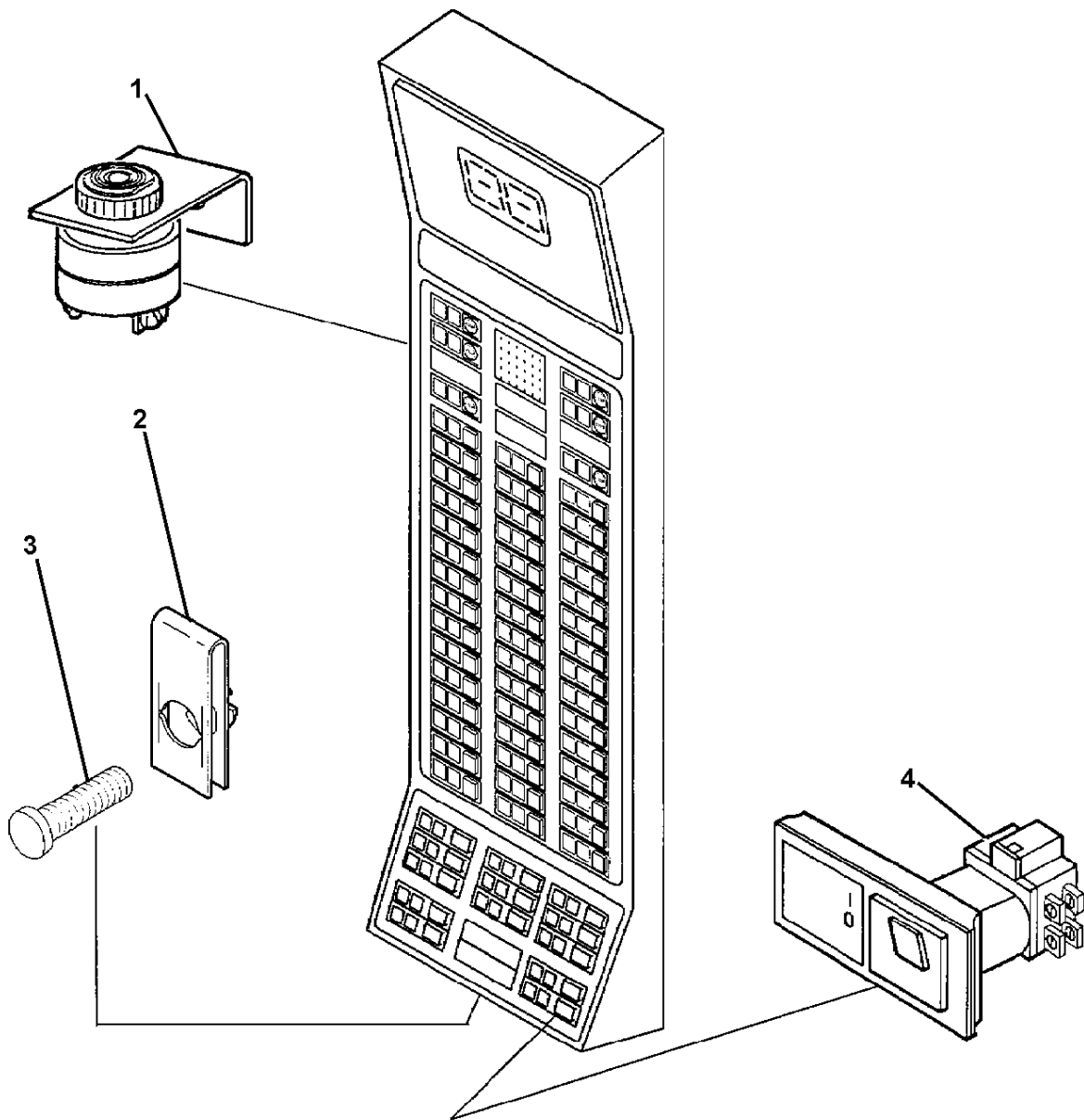
REF. No.	PART No.	DESCRIPTION
1	---	Keyswitch, Type AAA7069AAK (AAB7155BS only) ☞ SPL 31-AAA7069AAK
	ABA7069AAF1	Keyswitch, Mass. Medical Emergency ☞ SPL 31-AAA7069BR/AAF
2	---	Keyswitch, Type AAA7069BH (AAA7155BS only) ☞ SPL 31-AAA7069BH
3	6410W4	Keyswitch, Light Switch/Fan Switch, ☞ SPL 31-7069AH
4	443CA1	Lens
5	462GV3	Spacer, Nylon, 0.3 in.  , 0.30 in. Thick

PC Boards, Power Supply

31-AAA7155BS



	AAA7155BS	AAB7155BS	
REF. No.	PART No.		DESCRIPTION
1	9693J1	---	PC Board, Line Terminator (4-Pin Connector)
	9693J2	---	
2	---	AAA26800UX2	PC Board, Line Terminator (3-Pin Connector)
	ABA26800HJ1	---	
3	---	AAA26800HJ1	PC Board, Position Indicator
	---	ACA26800HJ1	
3	GBA23550D4	---	PC Board, Remote-Station 5
	GCA23550D4		
	GEA23550D4		
	GEA23550D10		
	GFA23550D10		
4	444BK1		Plug, 1.0 in. \odot (for future keyswitch option)
	444BK2		Plug, 1.625 in., \odot (for utility power option)
5	P621D1		Power Supply, 5 VDC, 1000 mA



**AAA7155BS
AAB7155BS**

REF. No.	PART No.	DESCRIPTION
1	A6219G2	Device, Audible Signal (floor passing toner)
2	72BX6	Nut, Speed, for Tamper Resistant Screw
3	VP-855550	Screw, Tamper Resistant, Oval Head
4	7069AK5	Switch, Toggle, Emergency Stop w/Braille
	7069AK1	Switch, Toggle, Emergency Stop w/o Braille