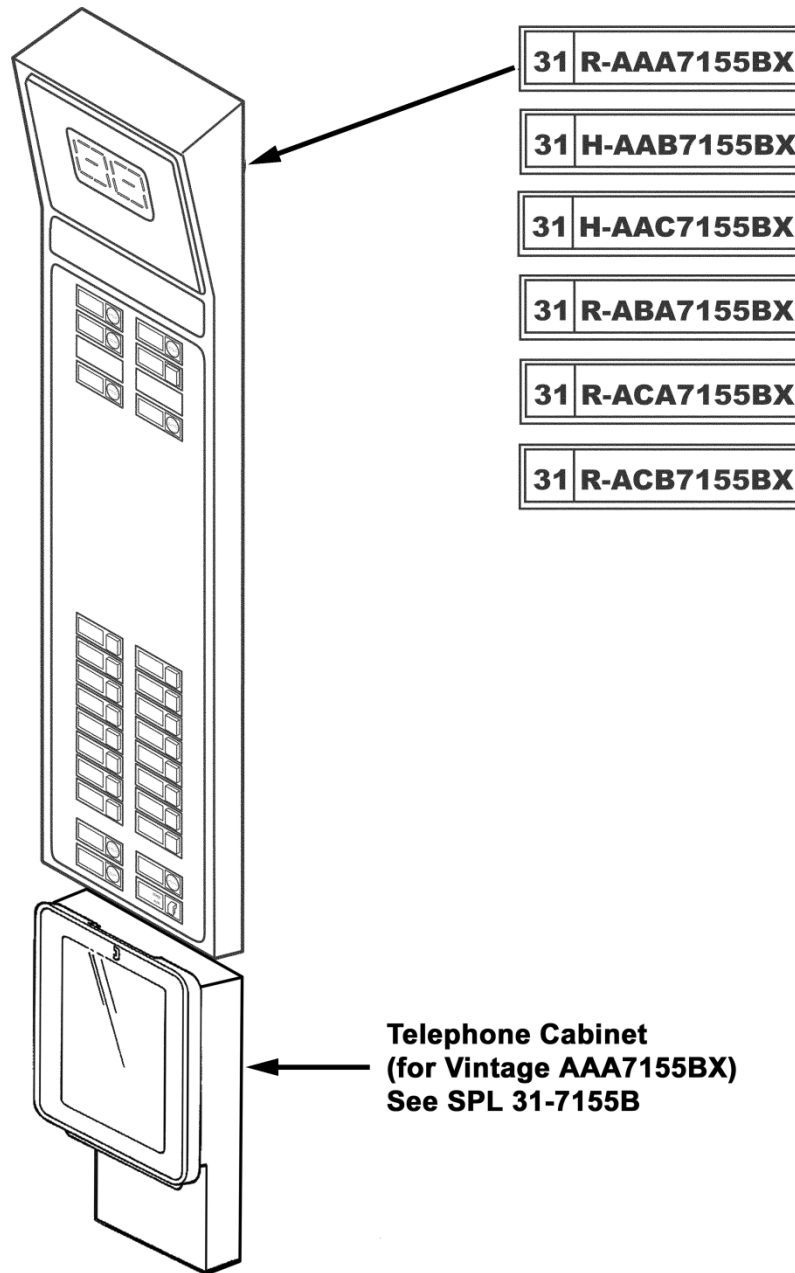


**Car Operating Panel,  
Series 1 Fixture,  
2-Column**

**Spare Parts Leaflet**

**31-AAA7155BX**

**October 12, 2022 / Page 1 of 14**



**OTIS**

This document does not contain any technical data subject to EAR or ITAR

**SERVICE ENGINEERING**

**Otis Elevator Company**

**Bloomfield, Connecticut USA**

Unpublished Work—© Otis Elevator Co.; 2022

**Leaflet Description**

This document details advanced fixtures for Series 1, 2-column car operating panel (COP).

Major Product Changes	New Vintage	Date
Change to the ADA hands-free telephone circuit board speaker, microphone, button and indicators.	AAB7155BX	3/10/01
Add terminal panel for traction elevators	ABA7155BX	3/13/03
Create p/n CAA7145E9 and 10 to use bracket AAA316GRJ3 to replace CAA7145E4 and 5 hands-free telephone with standoffs	ACA7155BX	6/29/03
Change ADA phone from supplier: EMS to new Otis phone	ACB7155BX	5/7/04

**Leaflet Revisions**

Date Revised	Subject Matter Expert	Reason for Revision
November 15, 2001	John Doane	Combined the 31-AAA7155BX with SPL 31-AAA7155BY
March 10, 2005	Joseph Zych	Restored SPL 31-AAA7155BX as an independent leaflet; added AAA25300T ADA phone kit assembly on page 9.
May 15, 2006	Joseph Zych	Detailed ADA phone parts; added connector mounting assemblies; updated illustration and vintage information.
January 8, 2008	Joseph Zych	Removed superseded lines from p/ns CAA7145E4 and CAA7145E5 on p. 11
November 28, 2012	Joseph Zych	Added new p. 10 with phone jack parts information
September 17, 2014	Joseph Zych	Corrected description for p/n AAA396PC3 on p. 12
October 12, 2022	Paul Anthony	Added p/n AAA27076JN2 and a NOTE on p. 14

**Related Drawings**

Drawing No.	Title	Drawing No.	Title
AAA7155BX	Series I, 2-Column, Car Operating Panel	ABA7155BX	Series I, 2-Column, Car Operating Panel
AAB7155BX	Series I, 2-Column, Car Operating Panel	ACA7155BX	Series I, 2-Column, Car Operating Panel
AAC7155BX	Series I, 2-Column, Car Operating Panel	ACB7155BX	Series I, 2-Column, Car Operating Panel
AAA7069AAK	Assembly, Keyswitch Modules	ABA25400AK	COP Printed Circuit Board Holder Assembly
ABA7069AAF	Assembly, Security Keyswitch Module	AAB25000CZ	Power Supply, COP
AAA25000BX	Connector Mounting Assembly	AAA25300T	Communication Device COP Telephone Assembly Kit

(Continued on next page)

# History (cont.)

**31-AAA7155BX**

## Related Documents

Document ID	Title
SPL 31-AAA7069AAK	Keyswitch Module
SPL 31-AAA7069AAS	Advanced Type: Button Module
SPL 31-AAA7069AAR	Advanced Fixtures: Jewel Modules
SPL 31-7155B	Advanced Fixture – Part, Telephone Cabinet
SPL 31-6463T	In-Car Lantern, Advanced, Modular
SPL 31-AAA250G	Advanced Fixtures: Graphic Inserts
SPL 31-250D	Advanced Fixtures: Graphic Inserts
SPL 31-AAA25300T	Otis and EMS Phones, Accessories and Intercom

## Subject Matter Expert

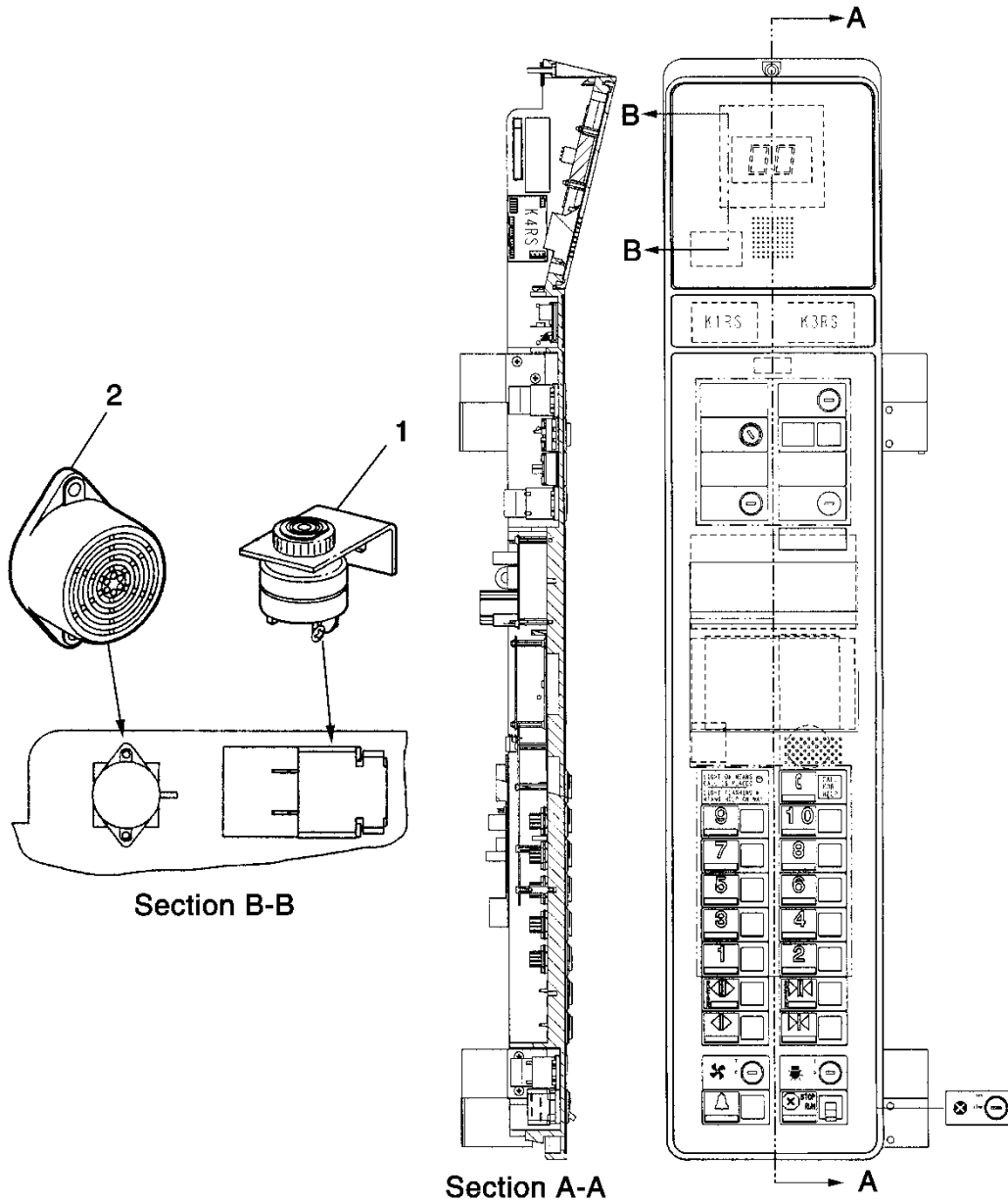
Name	Department
Paul Anthony	OSC Service Engineering

## About Spare Parts Leaflets

This document lists the lowest replaceable units (LRUs) for the standard version of the product. The LRUs are chosen by a team of Otis associates representing engineering and manufacturing.

While goal of this document is to make parts identification as easy as possible, the document cannot be all-inclusive. Elevator and escalator contracts classified as “special” or “custom” are not addressed here. For such contracts, please refer to specified information, the contract folder, TIPS, Field Education Articles, Construction Letters, etc. for further information.

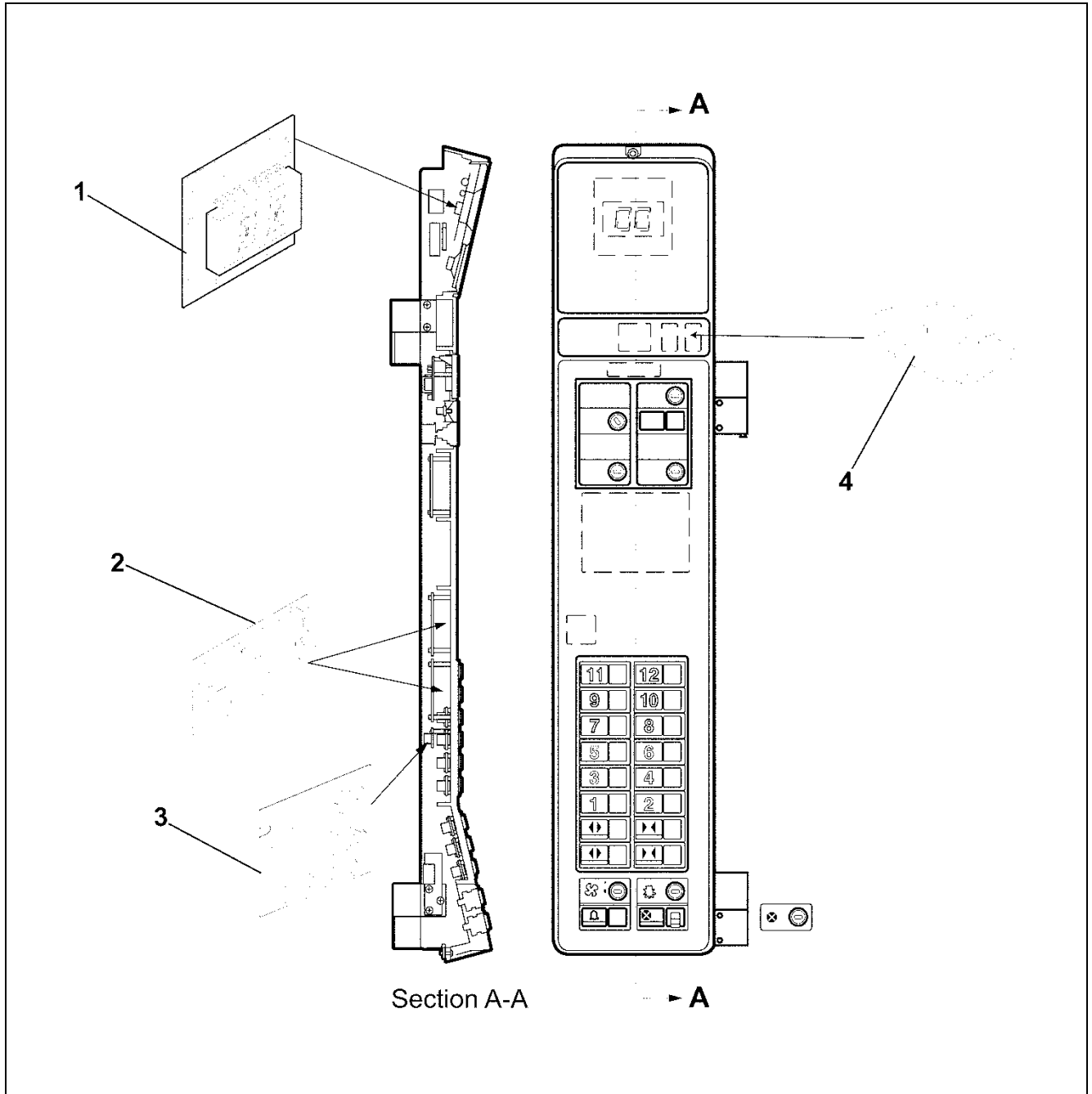
If you have any suggestions about this document, please contact the subject matter expert listed on this page.



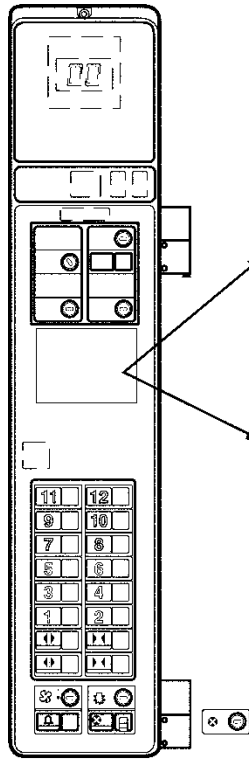
ALL VINTAGES		
REF. No.	PART No.	DESCRIPTION
1	A6219G2	Assembly, Audible Signal Device (Floor Passing Tone), w/Bracket and Adhesive, 110 VAC
2	6219F3	Buzzer (for SES Phase 1), 7-16 VDC, Sound 75 dB min.

# PC Boards

**31-AAA7155BX**



ALL VINTAGES		
REF. No.	PART No.	DESCRIPTION
1	ACA26800HJ1	PC Board, Position Indicator
2	ABA26800TV1	PC Board, Remote Station Extender (16-channel)
3	AAA26800UX2	PC Board, Line Terminator
4	GAA25005B10	PC Board, Remote Station (RS14)



**FIREFIGHTERS' OPERATION**

To operate car      Insert fire key and turn to "ON"  
                                  Press desired floor button

To cancel floor selection      Press "CALL CANCEL" button

To close door      Press and hold "DOOR CLOSE" button

To open door      Press and hold "DOOR OPEN" button

To hold car at floor      With doors open, turn key to "HOLD"

To return car to recall floor      With doors open, turn key to "OFF"

1

**FIREFIGHTERS' OPERATION**

To operate car      Insert fire key and turn to "ON"  
                                  Press desired floor button

To cancel floor selection      Press "CALL CANCEL" button

To close power-operated door      Press and hold "DOOR CLOSE" button

To open power-operated door      Press and hold "DOOR OPEN" button

To hold car at floor      With doors open, turn key to "HOLD"

To automatically send car to recall floor      With doors open, turn key to "OFF"

2

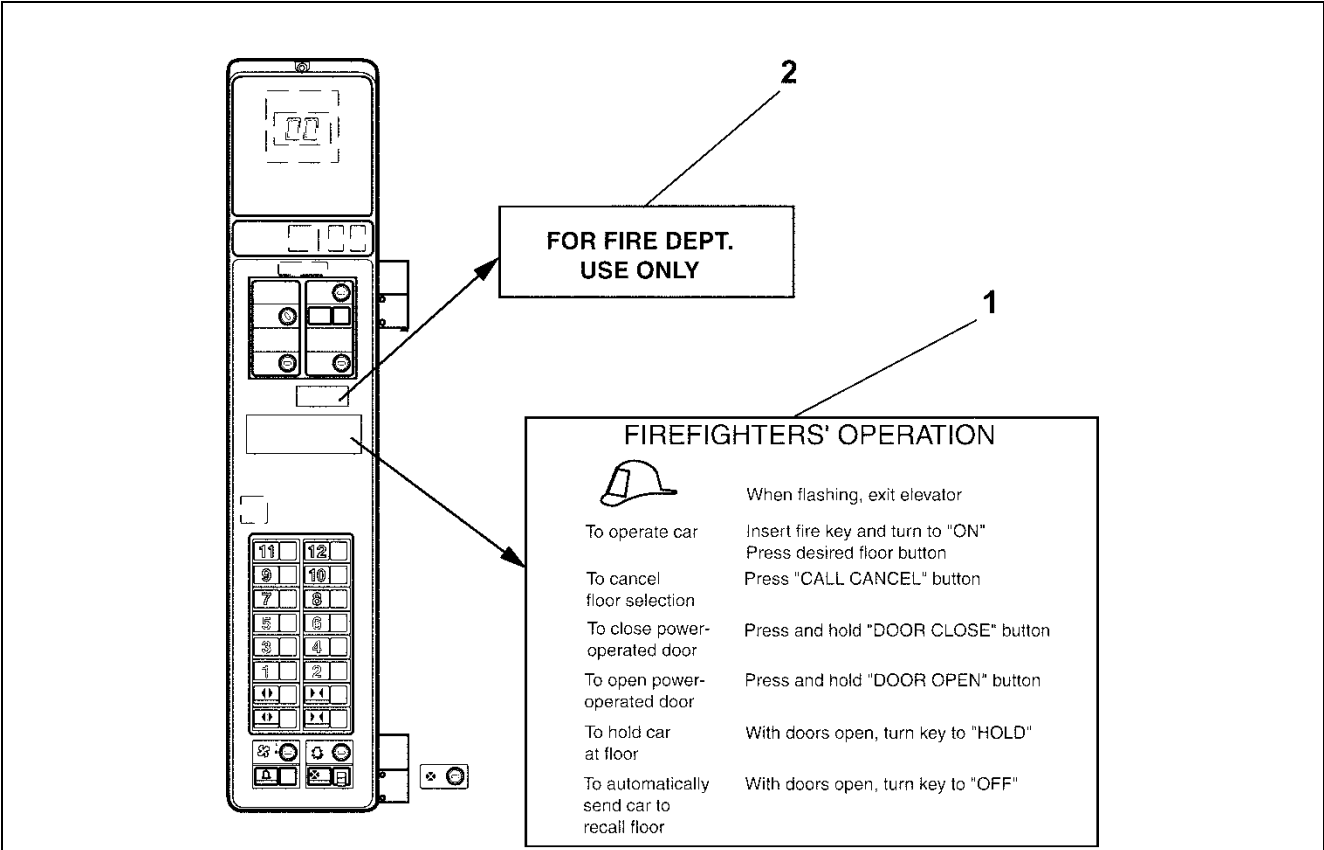
**ALL VINTAGES**

REF. No.	PART No.	MATERIAL	APPLICABLE CODE	DESCRIPTION
1	AAA102VB7	MF4 (Stainless Mill 4)	ANSI A17.1, Rule 211.7 (a) Barclay Calif Code	Plate, Instruction (firefighters' operation)
	AAA102VB8	SS4 (brushed stainless)		
	AAA102VB9	SS8 (mirrored stainless)		
	AAA102VB10	BR7 (brushed brass)		
	AAA102VB11	BR8 (mirrored brass)		
	AAA102VB12	Clear Polycarbonate		
	AAA102VB73	MF7 (Bronze Mill 7)		
2	AAA102VB36	MF4 Stainless Mill 4	ANSI A17.1 1996	Plate, Instruction (firefighters' operation)
	AAA102VB37	SS4 (brushed stainless)		
	AAA102VB38	SS8 (mirrored stainless)		
	AAA102VB39	BR7 (brushed brass)		
	AAA102VB40	BR8 (mirrored brass)		
	AAA102VB41	Clear Polycarbonate		
	AAA102VB72	MF7 (Bronze Mill 7)		

(Continued on next page)

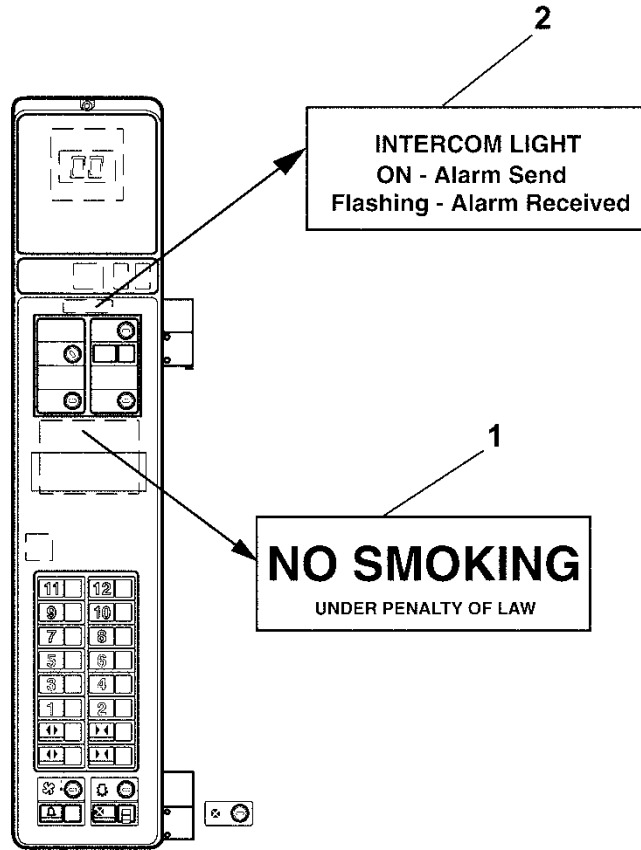
# Firefighter's Instruction Plate

**31-AAA7155BX**



ALL VINTAGES				
REF. No.	PART No.	MATERIAL	APPLICABLE CODE	DESCRIPTION
1	AAA102VB54	MF4 (Stainless Mill 4)	ANSI A17.1 1998	Plate, Instruction (firefighters' operation)
	AAA102VB55	SS4 (brushed stainless)		
	AAA102VB56	SS8 (mirrored stainless)		
	AAA102VB57	BR7 (brushed brass)		
	AAA102VB58	BR8 (mirrored brass)		
	AAA102VB59	Clear Polycarbonate		
2	AAA102VB25	MF4 (Stainless Mill 4)	N.Y.C. Code	Plate, Instruction (fire dept. use)
	AAA102VB26	SS4 (brushed stainless)		
	AAA102VB27	SS8 (mirrored stainless)		
	AAA102VB28	BR7 (brushed brass)		
	AAA102VB29	BR8 (mirrored brass)		

(Continued on next page)

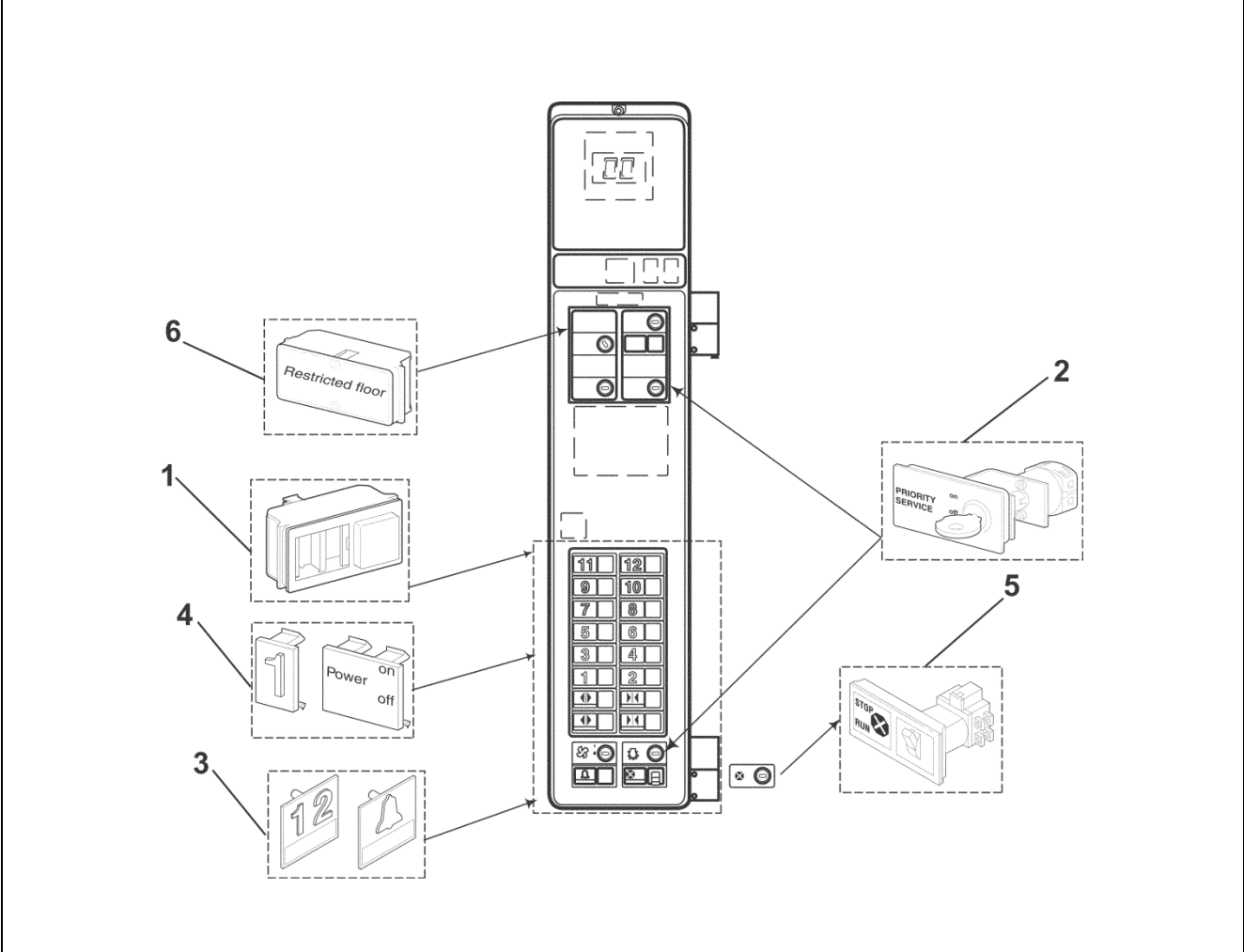


<b>ALL VINTAGES</b>			
<b>REF. No.</b>	<b>PART No.</b>	<b>MATERIAL</b>	<b>DESCRIPTION</b>
1	AAA102VB15	MF4 (Stainless Mill 4)	Plate, Instruction (no smoking)
	AAA102VB16	SS4 (brushed stainless)	
	AAA102VB17	SS8 (mirrored stainless)	
	AAA102VB18	BR7 (brushed brass)	
	AAA102VB19	BR8 (mirrored brass)	
2	AAA102VB20	MF4 (Stainless Mill 4)	Plate, Instruction (intercom instruction)
	AAA102VB21	SS4 (brushed stainless)	
	AAA102VB22	SS8 (mirrored stainless)	
	AAA102VB23	BR7 (brushed brass)	
	AAA102VB24	BR8 (mirrored brass)	



# Cross-References for Keyswitch & Button Modules

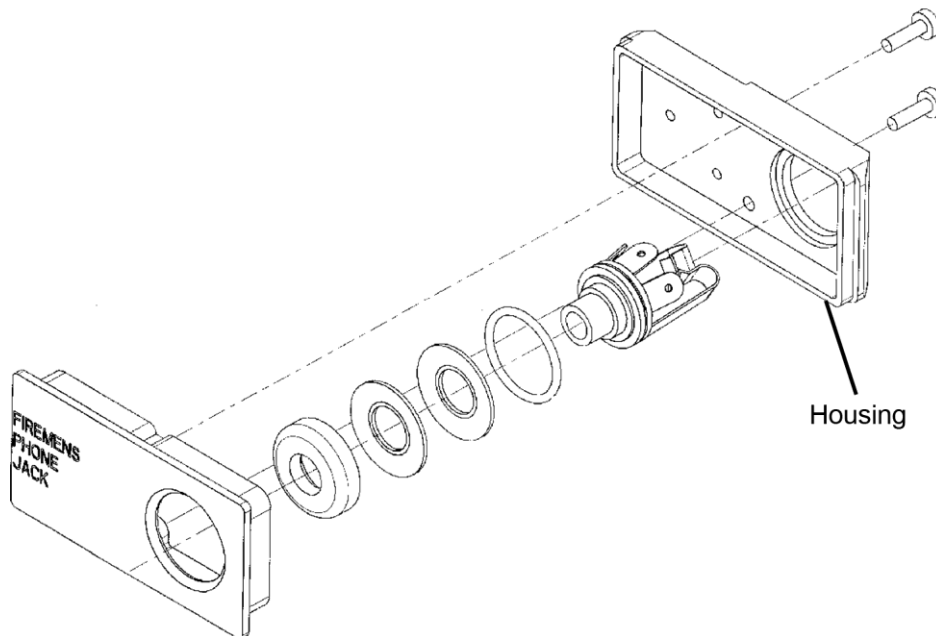
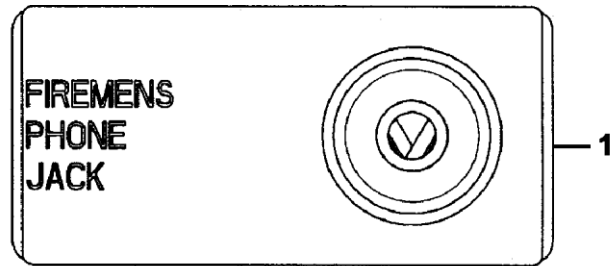
**31-AAA7155BX**



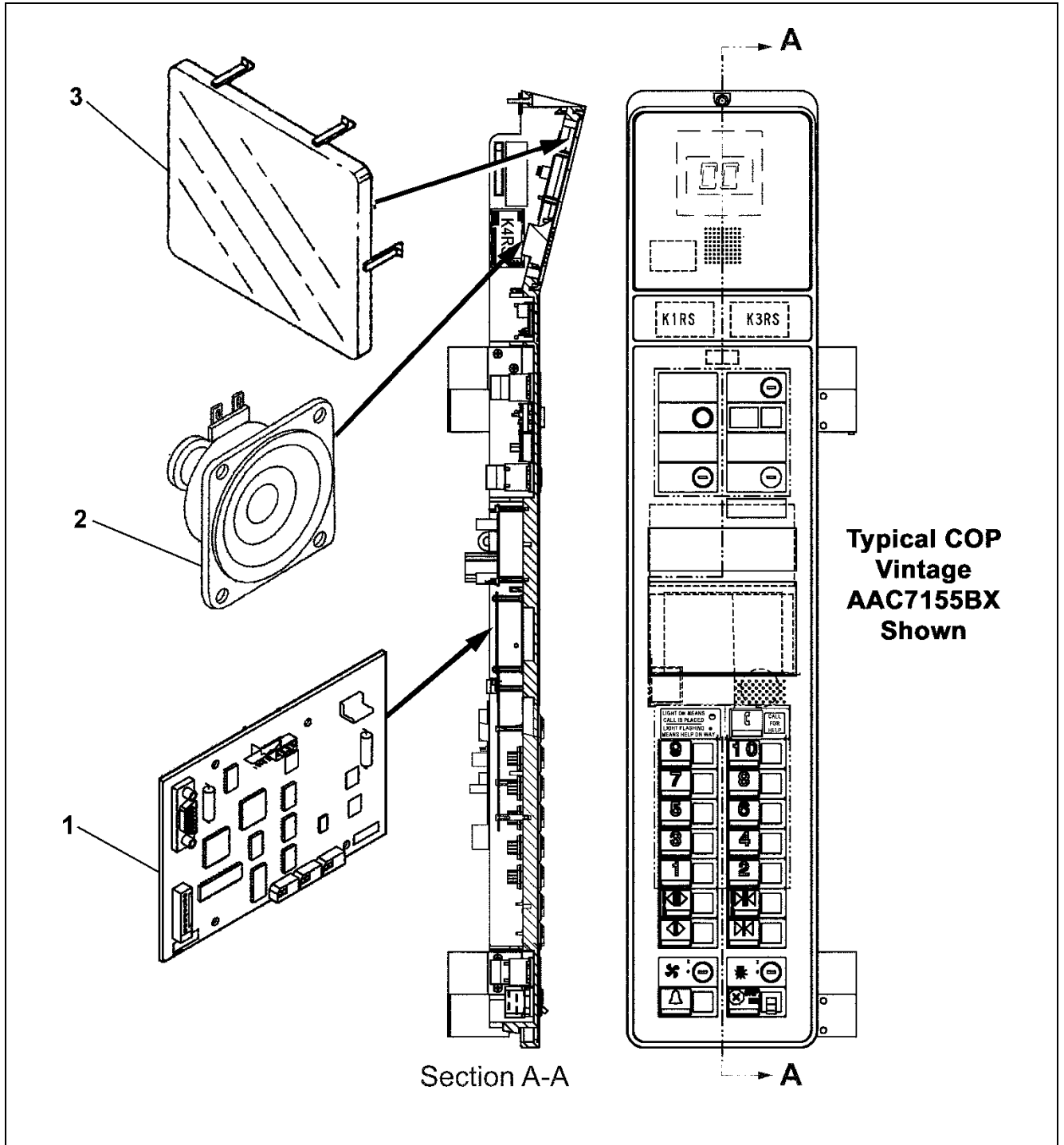
ALL VINTAGES		
REF. No.	PART No.	DESCRIPTION
1	---	Assembly, Button Module, w/o Insert, Type AAA7069AAS,  SPL 31-AAA7069AAS
2	---	Assembly, Keyswitch Module, Type AAA7069AAK,  Detailed Listing in SPL 31-AAA7069AAK
3	---	Insert, Graphic, Raised Character w/Braille, Type AAA250G,  SPL 31-AAA250G
4	---	Insert, Graphic, Raised Character, Single / Double, Type 250D/E,  SPL 31-250D
5	---	Module, Emergency Stop Switch, Type 7069AK
6	---	Module, Jewel, Type AAA7069AAR,  SPL 31-AAA7069AAR

**31-AAA7155BX**

# Phone Jack



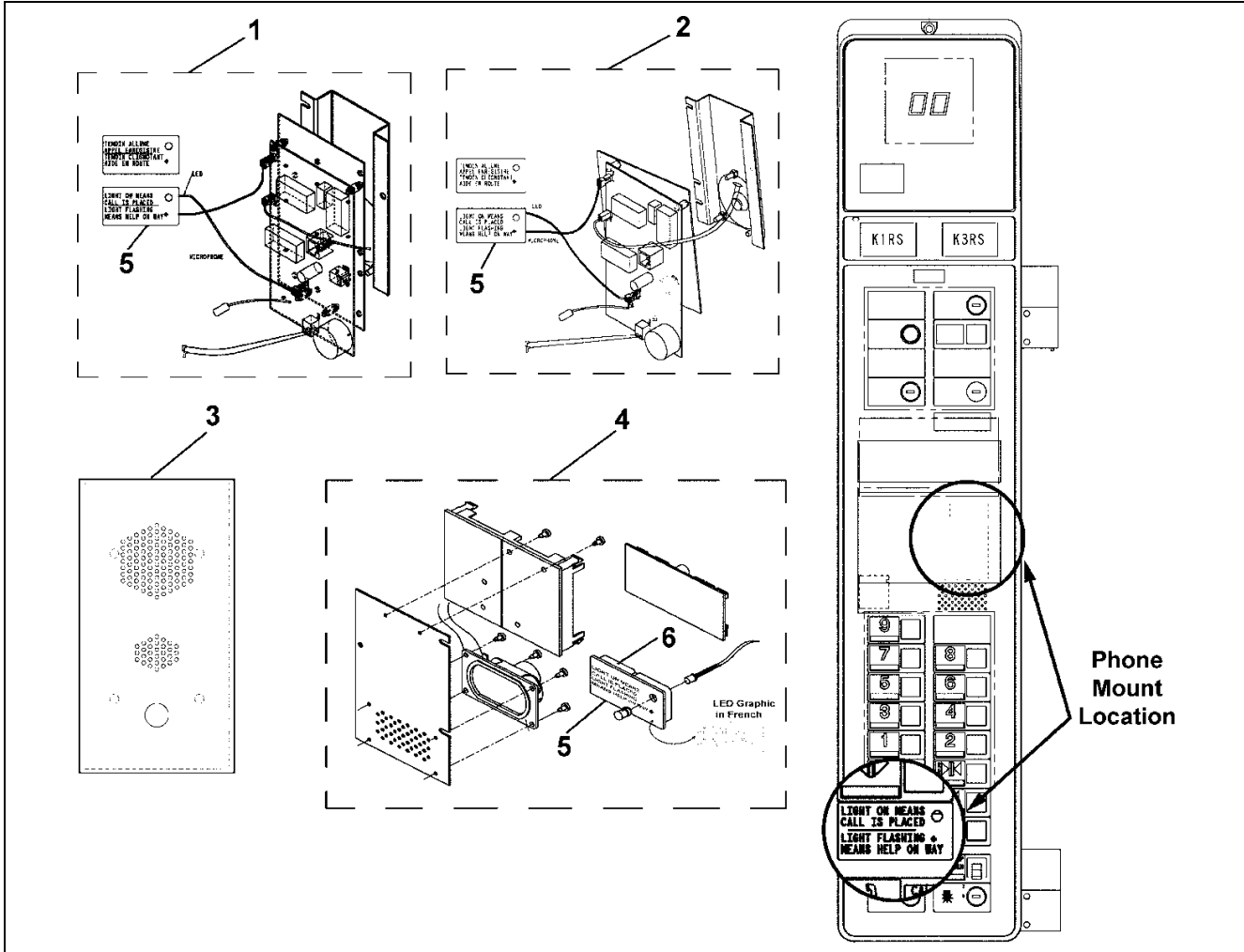
REF. No.	PART No.	DESCRIPTION	REMARKS
1	AAA7069AAU1	Phone Jack	English, 1.0 mm Housing
	AAA7069AAU2		English, 1.5 mm Housing
	AAA7069AAU3		English, 3.2 mm Housing
	AAA7069AAU4		French, 1.0 mm Housing
	AAA7069AAU5		French/English, 1.0 mm Housing
	AAA7069AAU6		French, 3.2 mm Housing
	AAA7069AAU7		French/English, 3.2 mm Housing




REF. No.	PART No.	DESCRIPTION	VINTAGES: --- 7155BX
1	ABA26800ACW1	Board, Speech	AAA, AAB, AAC, ABA, ACA
2	A433NB2	Speaker, Speech	
3	443CH1	Lens, Transparent Green, w/o Speaker Grill	All
	443CH3	Lens, Transparent Green, w/Speaker Grill	

# ADA COP Phones

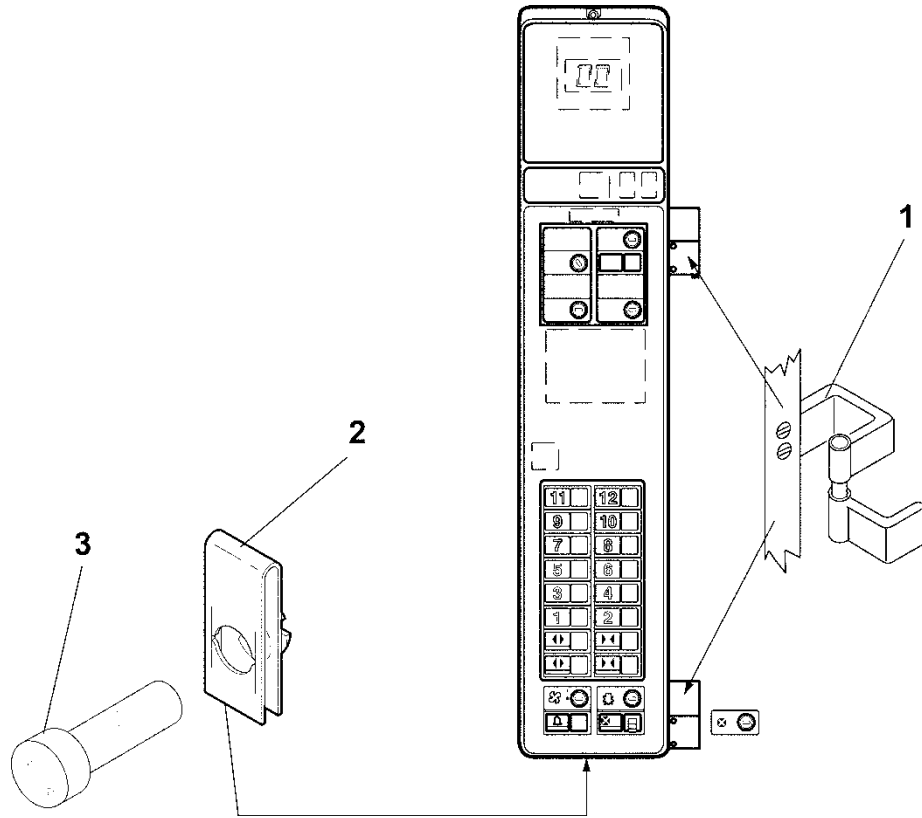
**31-AAA7155BX**



REF. No.	PART No.	DESCRIPTION		VINTAGE: --- 7155BX
1	CAA7145E4	Assembly, ADA COP Phone with Microphone, LED, and Chicklet (English)	 Additional	AAB, AAC, ABA, ACA
2	CAA7145E9			
1	CAA7145E5	Assembly, ADA COP Phone with Microphone, LED, and Chicklet (French or French/English)	Details in SPL	AAA
2	CAA7145E10			
3	CAA7145E1	Assembly, Hands-free Phone (used in separate phone cabinet)	31-AAA25300T	ACB
4	AAA25300T9	Assembly, Otis Telephone (English)		
	AAA25300T10	Assembly, Otis Telephone (French or French/English)		
5	AAA396PC4	Chicklet (for use with Otis ADA Telephone)		ACB
	AAA396PC2	Chicklet, English (for ADA phone CAA7145E4, E9)		AAB, AAC, ABA, ACA
	AAA396PC3	Chicklet, French (for ADA phone CAA7145E5, E10)		
6	396VB1	Housing (for Otis ADA phone chicklet)		ACB

**31-AAA7155BX**

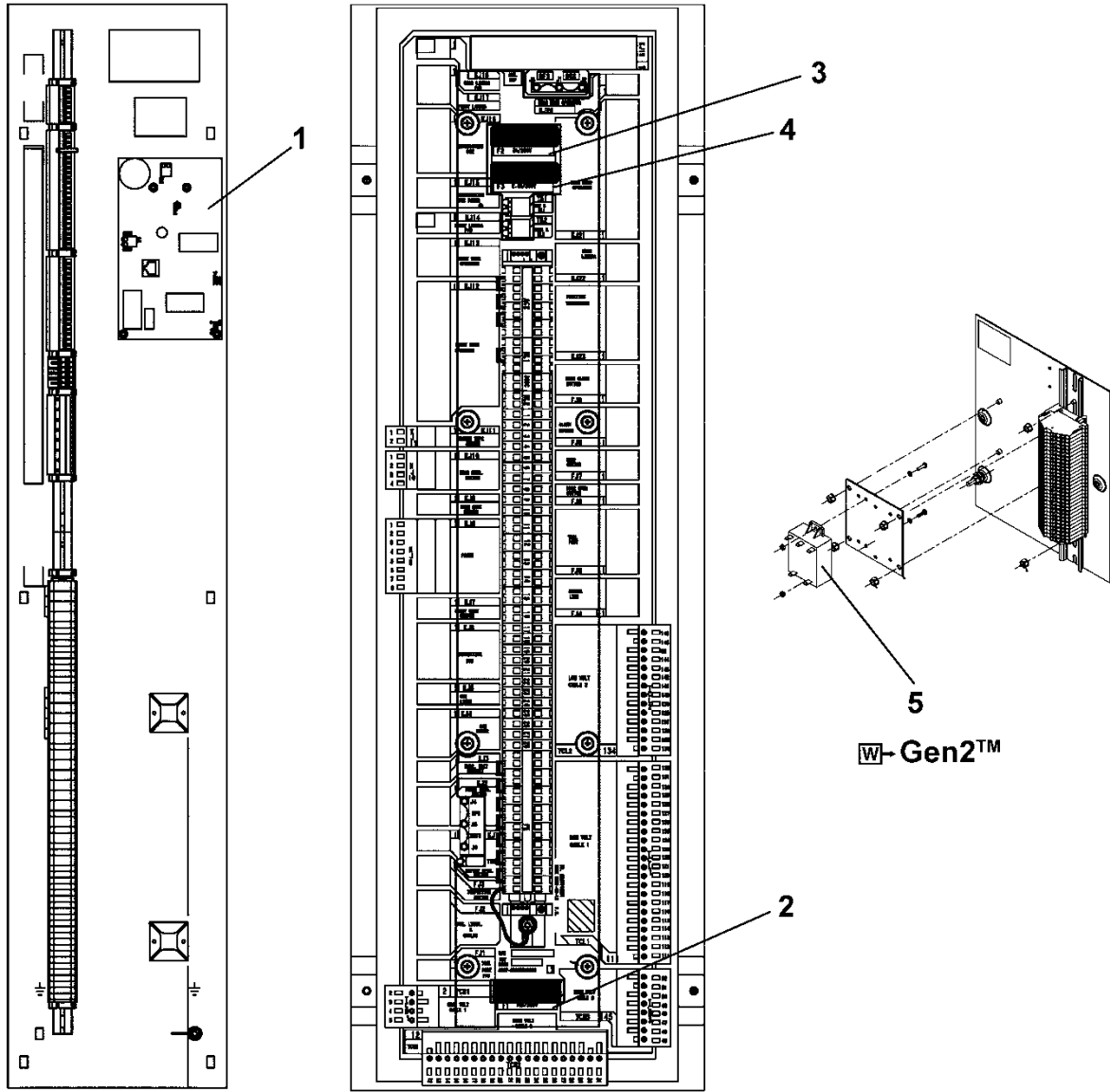
# Hinge, Speed Nut, & Tamper Resistant Screw



**AAA7155BX  
AAB7155BX  
ACB7155BX**

REF. No.	PART No.	DESCRIPTION
1	391CA1	Hinge, Lower,  COP
	391CA2	Hinge, Lower,  COP
	391CA3	Hinge, Upper,  COP
	391CA4	Hinge, Upper,  COP
2	72BX6	Nut, Speed, for Tamper Resistant Screw
3	VP-855550	Screw, Tamper Resistant, Oval Head, Size = 10-24 x 1 in. L

## Connector Assembly



W Hydraulic Systems

W Traction Systems

REF. No.	PART No.	DESCRIPTION	VINTAGES
1	AAA25300P1	Board, COP Phone	All Vintages (Hydraulic)
2	AAA375CJ4	Fuse (F1), 10 A, 5B, 500 VAC	ACA/ACB7155BX (Traction)
3	AAA375CJ3	Fuse (F2), 5 A, 5B, 500 VAC	
4	AAA375BR11	Fuse (F3), 2.5 A, 5B, 500 VAC	
5	AAA621AN9 AAA27076JN2	Power Supply, <b>NOTE</b>	ACA/ACB7155BX (Gen2)

**NOTE:** AAA27076JN2 is a retrofit kit. For more information, see TIP 20.2-3, AAA621AN9 and AAA621AN43 Power Supply Replacement Information.