

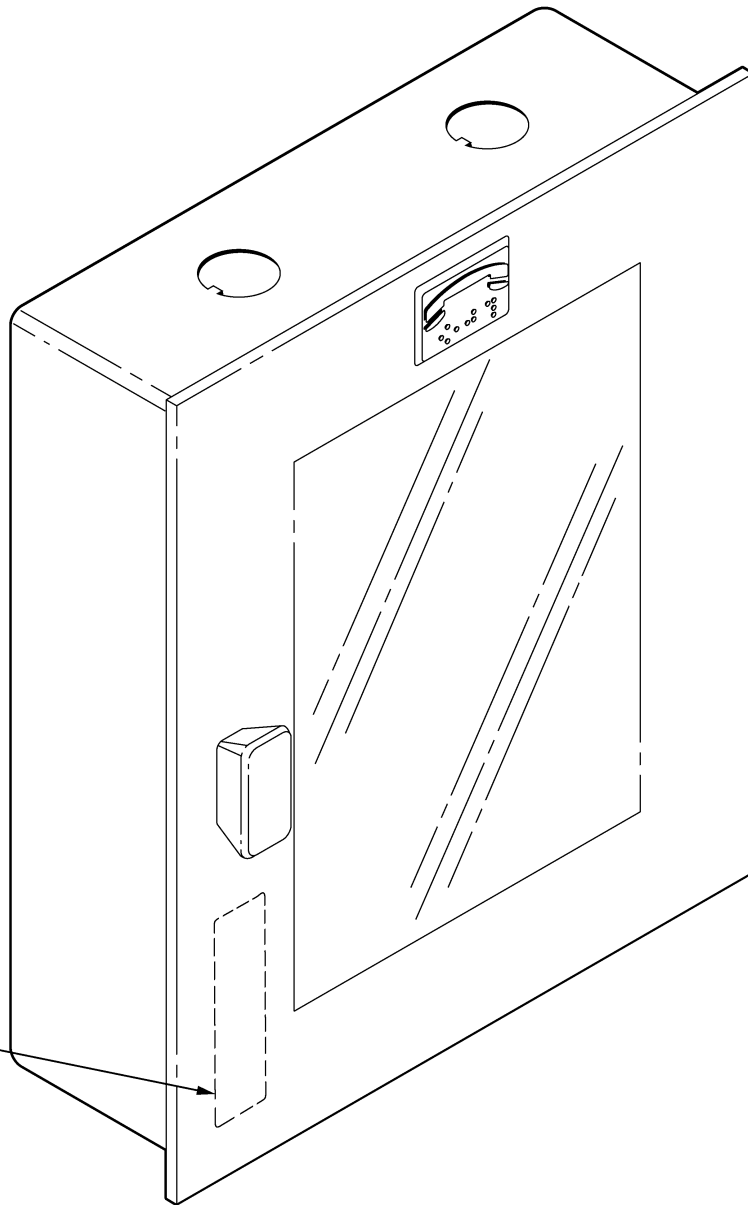
# Telephone Cabinet Assembly

Spare Parts Leaflet

31-AAA7155CH

March 1, 2000 / Page 1 of 6

31 R-AAA7155CH



Unpublished Work—© Otis Elevator Co.; 2000

# OTIS

Safety First!

SERVICE ENGINEERING

Otis Elevator Company  
Bloomfield, Connecticut USA

## History

31-AAA715CH

First Published: March 1, 2000

## Telephone Cabinet Assembly

REVISED DATE	RESPONSIBLE ENGINEER	PRIMARY REASON FOR REVISION
March 1, 2000	Stephen Karvazy	New leaflet

### ***Leaflet Description***


This leaflet provides spare parts information for type AAA7155CH telephone cabinet assembly.

RELATED LEAFLET NUMBERS	TITLES
---	---

DRAWING REFERENCES
AAA7155CH

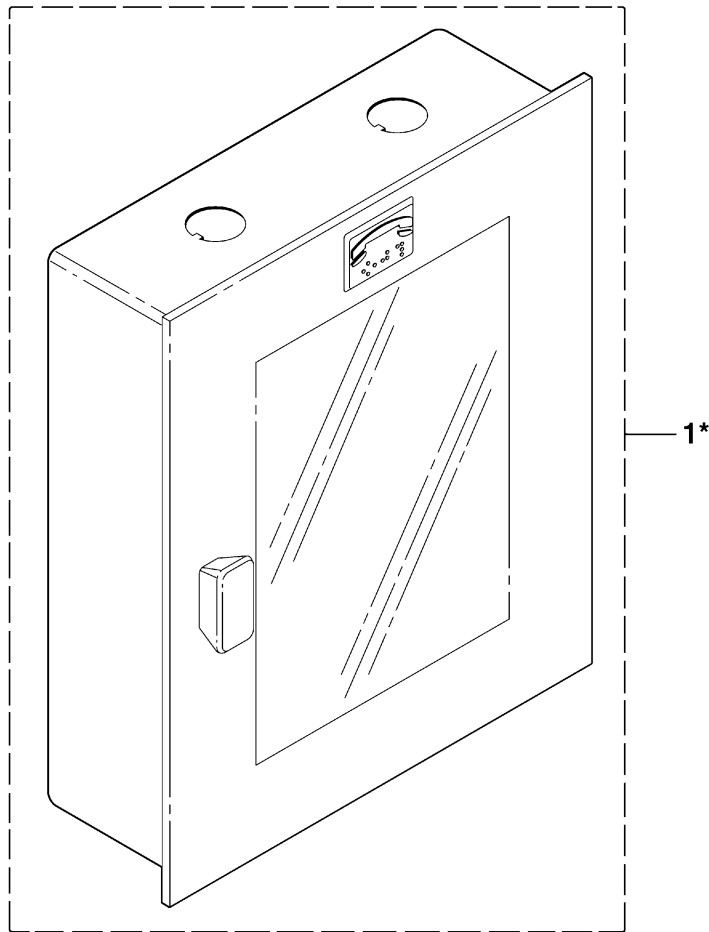
RELATED DOCUMENT NUMBERS	TITLES
---	---

This Spare Parts Leaflet (SPL) is prepared to assist you in determining the Lowest Replaceable Units (LRU) supported by the Otis Service Center for the standard version of the product titled on the preceding page. The parts are chosen by Otis associates from: Engineering, Field Engineering, Service Engineering, and Manufacturing. We attempt to make part identification as easy as possible. The SPL, however, cannot be all inclusive. Elevator and escalator contracts classified as either "special" or "custom" are not addressed. Alternative sources of information such as: the Contract Folder, Technical Information Publications, Field Education Articles, Construction Letters, etc. may give the information you are after. You live in the real world of maintaining your elevator and escalator contracts. On a daily basis, situations arise regarding parts identification and at times, for some reason, the part you need is not in the SPL. If you think a standard part not listed should be—let us know. We will respond.

  
**Stephen Karvazy—OSC Service Engineering**

# Telephone Cabinet Assembly

31-AAA7155CH



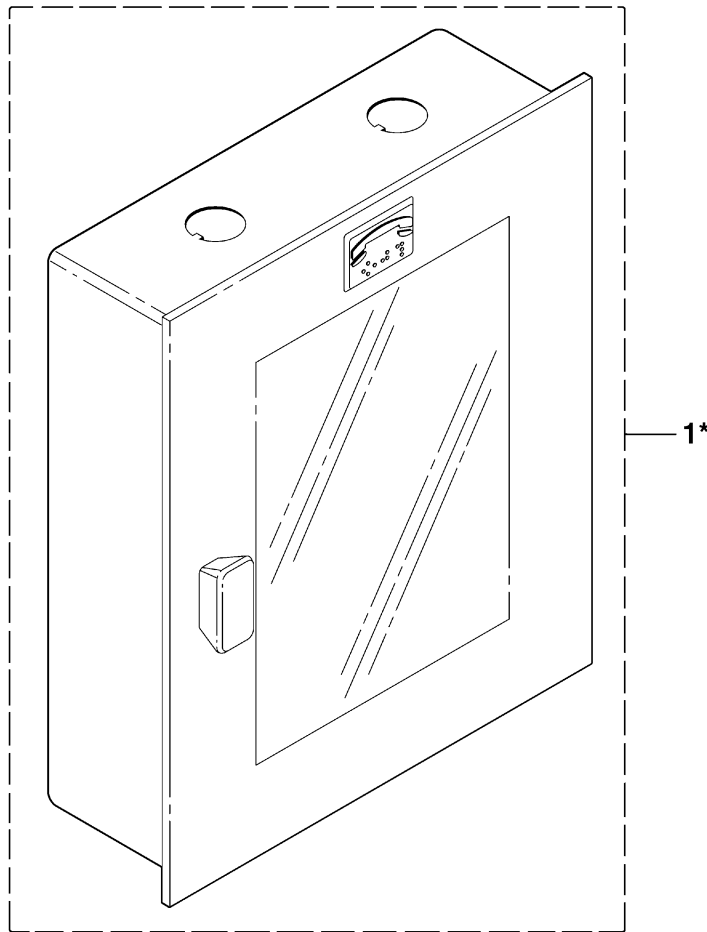
REF. NO.	AAA7155CH PART or ML	DESCRIPTION	WIDTH	CERTIFICATE FRAME	FINISH
1	AAA7155CH1	Assembly, Telephone Cabinet	254 mm (10 in.)	without	SS4
	AAA7155CH2				BR7
	AAA7155CH3				ML4
	AAA7155CH4				BR8
	AAA7155CH5				SS8
	AAA7155CH6			with	SS4
	AAA7155CH7				BR7
	AAA7155CH8				ML4
	AAA7155CH9				BR8
	AAA7155CH10				SS8

\* Does not include hands-free telephone.

**NOTE:** Finish SS4 is brushed stainless steel, BR7 is brushed bronze, ML4 is mill stainless, BR8 is mirror bronze, and SS8 is mirror stainless.

*(Continued on Next Page)*

## Telephone Cabinet Assembly



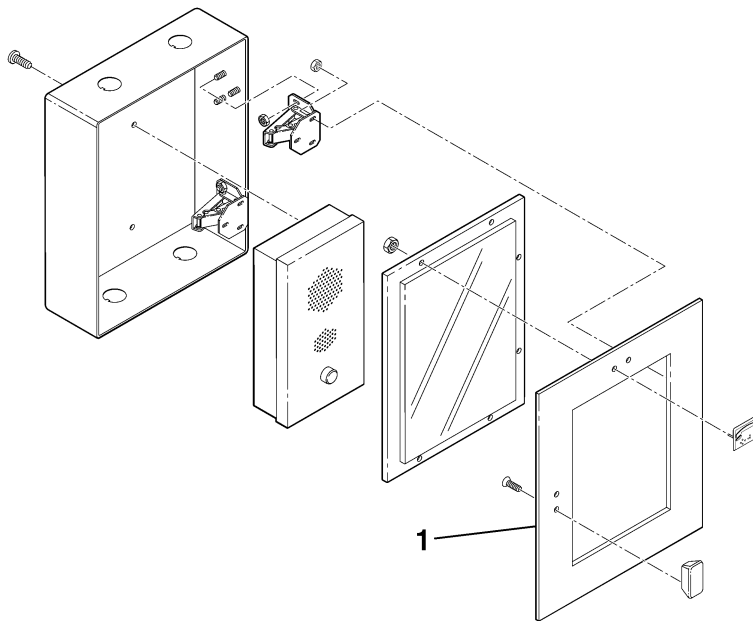
REF. NO.	AAA7155CH PART or ML	DESCRIPTION	WIDTH	CERTIFICATE FRAME	FINISH
1	AAA7155CH11	Assembly, Telephone Cabinet	304.8 mm (12 in.)	without	SS4
	AAA7155CH12				BR7
	AAA7155CH13				ML4
	AAA7155CH14				BR8
	AAA7155CH15				SS8
	AAA7155CH16			with	SS4
	AAA7155CH17				BR7
	AAA7155CH18				ML4
	AAA7155CH19				BR8
	AAA7155CH20				SS8

\* Does not include hands-free telephone.

**NOTE:** Finish SS4 is brushed stainless steel, BR7 is brushed bronze, ML4 is mill stainless, BR8 is mirror bronze, and SS8 is mirror stainless.

# Telephone Cabinet Faceplate

31-AAA7155CH

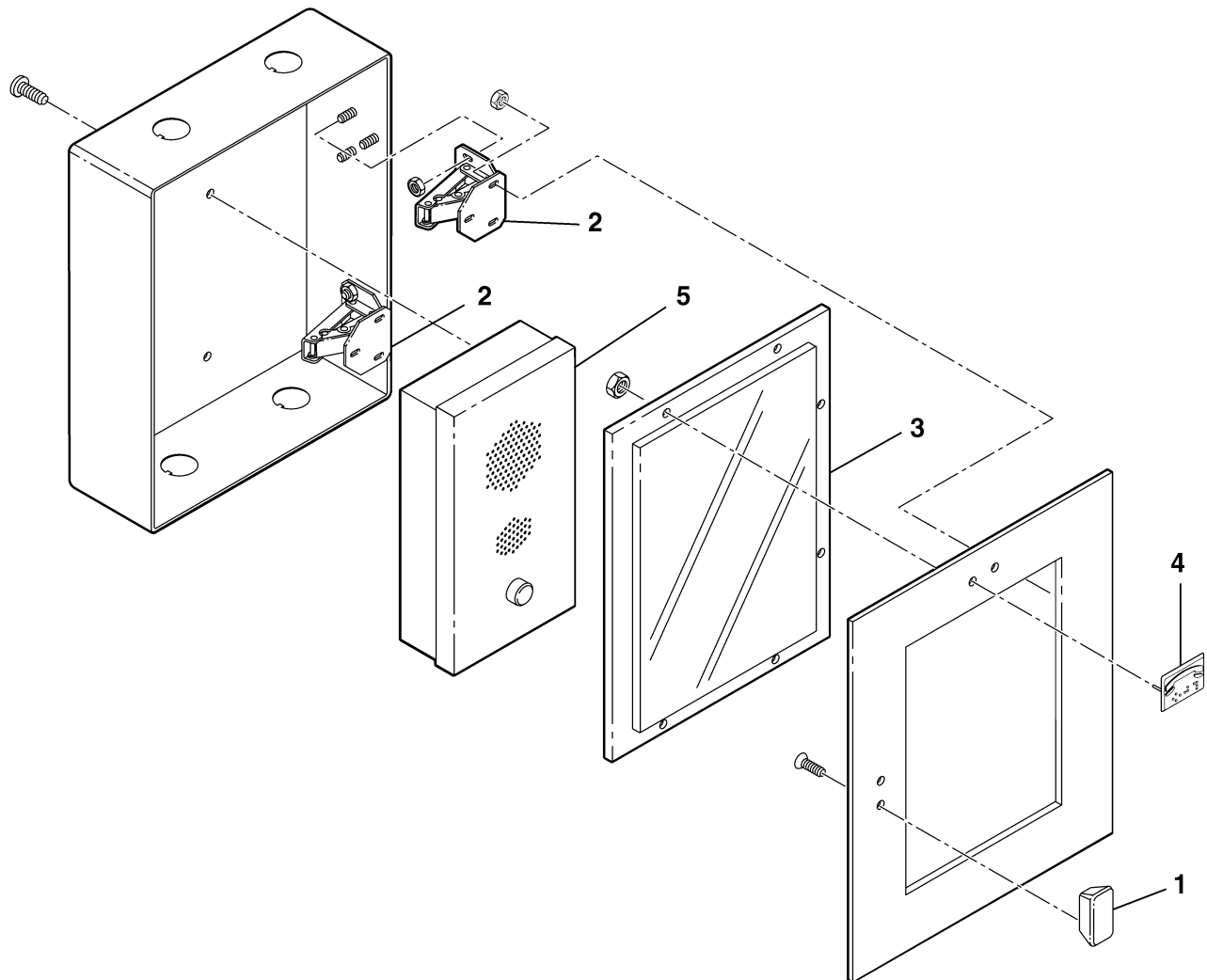


REF. NO.	AAA7155CH PART or ML	DESCRIPTION	WIDTH	CERTIFICATE FRAME	FINISH
1	AAA147PX13	Faceplate	254 mm (10 in.)	without	SS4
	AAA147PX14				BR7
	AAA147PX18				ML4
	AAA147PX19				BR8
	AAA147PX20				SS8
	AAA147PX11			with	SS4
	AAA147PX12			BR7	
	AAA147PX15			ML4	
	AAA147PX16			BR8	
	AAA147PX17			SS8	
	AAA147PX6		304.8 mm (12 in.)	without	SS4
	AAA147PX7				BR7
	AAA147PX8				ML4
	AAA147PX9				BR8
	AAA147PX10				SS8
	AAA147PX1			with	SS4
	AAA147PX2			BR7	
	AAA147PX3			ML4	
	AAA147PX4			BR8	
	AAA147PX5			SS8	

**NOTE:** Finish SS4 is brushed stainless steel, BR7 is brushed bronze, ML4 is mill stainless, BR8 is mirror bronze, and SS8 is mirror stainless.

*(Continued on Next Page)*

## Telephone Cabinet Components



REF. NO.	AAA7155CH PART or ML	DESCRIPTION	FINISH
1	388BM4-SS4	Handle, Door	SS4
	388BM4-BR7		BR7
	388BM4-ML4		ML4
	388BM4-BR8		BR8
	388BM4-SS8		SS8
2	AAA391CW1	Hinge	
3	AAA443DR1	Lens, Certificate, for 10 in. Wide Cabinet	
	AAA443DR2	Lens, Certificate, for 12 in. Wide Cabinet	
4	AAA428H2	Plate, Braille	
5	CAA7145E1	Telephone, Hands-Free	

**NOTE:** Finish SS4 is brushed stainless steel, BR7 is brushed bronze, ML4 is mill stainless, BR8 is mirror bronze, and SS8 is mirror stainless.