

Key Operated Hall
Fixture and
Switch Panels

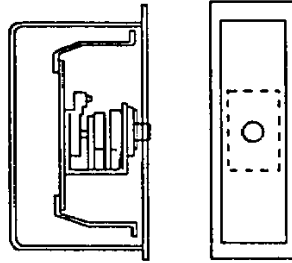
Spare Parts Leaflet

32-6600A

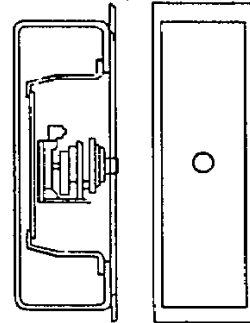
June 1, 1999 / Page 1 of 10

Supersedes SPL 32-6600A Dated December 1987

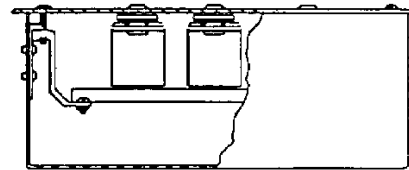
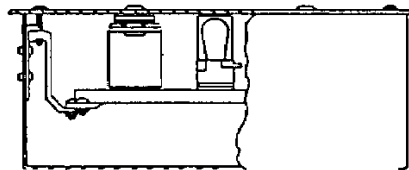
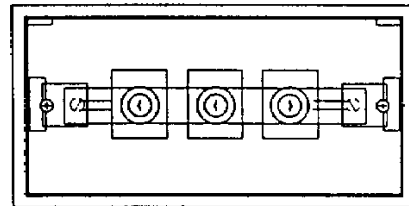
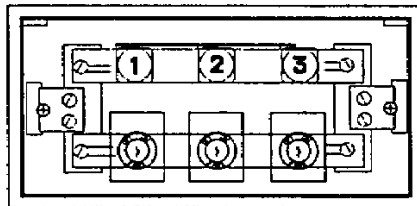
W/O VINTAGE



KEY OPERATED
HALL FIXTURE



SEMI-WEATHERPROOF
KEY OPERATED
HALL FIXTURE



KEY OPERATED SWITCH PANEL (SERVICE/PARKING)

Unpublished Work—© Otis Elevator Co., 1999

OTIS

Safety First!

SERVICE ENGINEERING

Otis Elevator Company
Bloomfield, Connecticut USA

| |
|--------------------------------|
| History |
| 32-6600A |
| First Published: December 1987 |

| |
|---|
| Key Operated Hall Fixture and Switch Panels |
|---|

| REVISED DATE | RESPONSIBLE ENGINEER | PRIMARY REASON FOR REVISION |
|--------------|----------------------|--|
| June 1, 1999 | Val Minnes | Add notes and LED lamp information on pp. 4 & 5. |

Leaflet Description

This leaflet covers Type 6600A & Type 6600P key operated hall fixture and switch panels. The information in this leaflet includes spare parts for bracket & faceplate assemblies, and lamp receptacle assemblies.

| RELATED LEAFLET NUMBERS | TITLES |
|-------------------------|---|
| 31-6410A | Car Fixtures Keyswitch, Key-Operated Contacts 6410A |
| | |

| DRAWING REFERENCES |
|--------------------|
| --- |
| |

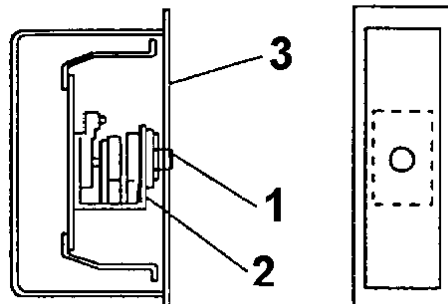
| RELATED DOCUMENT NUMBERS | TITLES |
|--------------------------|--------|
| --- | --- |
| | |

This Spare Parts Leaflet (SPL) is prepared to assist you in determining the Lowest Replaceable Units (LRU) supported by the Otis Service Center for the standard version of the product titled on the preceding page. The parts are chosen by Otis associates from: Engineering, Field Engineering, Service Engineering, and Manufacturing. We attempt to make part identification as easy as possible. The SPL, however, cannot be all inclusive. Elevator and escalator contracts classified as either "special" or "custom" are not addressed. Alternative sources of information such as: the Contract Folder, Technical Information Publications, Field Education Articles, Construction Letters, etc. may give the information you are after. You live in the real world of maintaining your elevator and escalator contracts. On a daily basis, situations arise regarding parts identification and at times, for some reason, the part you need is not in the SPL. If you think a standard part not listed should be—let us know. We will respond.

| |
|--|
| |
|--|

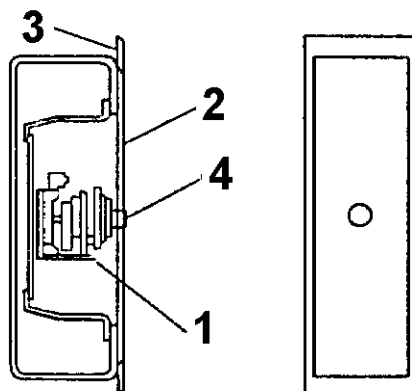
Val Minnes, Service Engineering

SPARE PARTS FOR BRACKET & FACEPLATE ASSEMBLIES MATL LISTS 6600A4, 6600A98



| REF. NO. | PART or ML | DESCRIPTION |
|----------|--------------------|--|
| 1 | 340AA2-OFF-ON-PARK | Collar (Marked On-Off-Park) |
| 2 | 6410E2 | Contact, Key Operated, Detail SPL 31-6410A |
| | 6410E4 | Contact, Key Operated, Detail SPL 31-6410A |
| 3 | B147AK5 | Face plate |
| --- | --- | Screw, 10-32 x 1/2 in. L, Phillips Rec. Oval Mach. |

SPARE PARTS OF SEMI-WEATHERPROOF KEY OPERATED HALL FIXTURES MATL LISTS 6600A81, 6600A82



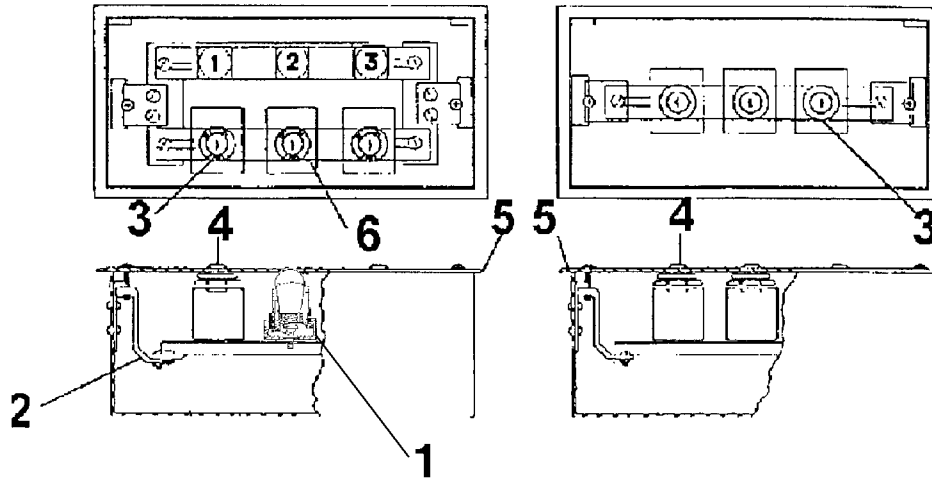
| REF. NO. | PART or ML | DESCRIPTION |
|----------|------------|--|
| 1 | 6410H6 | Contact, Key Operated, Detail SPL 31-6410A |
| 2 | 147BK1 | * Faceplate, w/ Gasket & Washer, 2.5 in. x 7.75 in. |
| | 147BK2 | * Faceplate, w/ Gasket & Washer, 3.5 in. x 9.25 in. |
| 3 | 376AW1 | Gasket, Rectangular |
| 4 | 131AT1 | Washer, Rubber |

* Customer to specify material and finish.

Type 6600P Key Operated Switch Panel

M.L. B6600P1, 2, 7 (Service Key Switch)

M.L. B6600P3, 4 (Parking Switch)



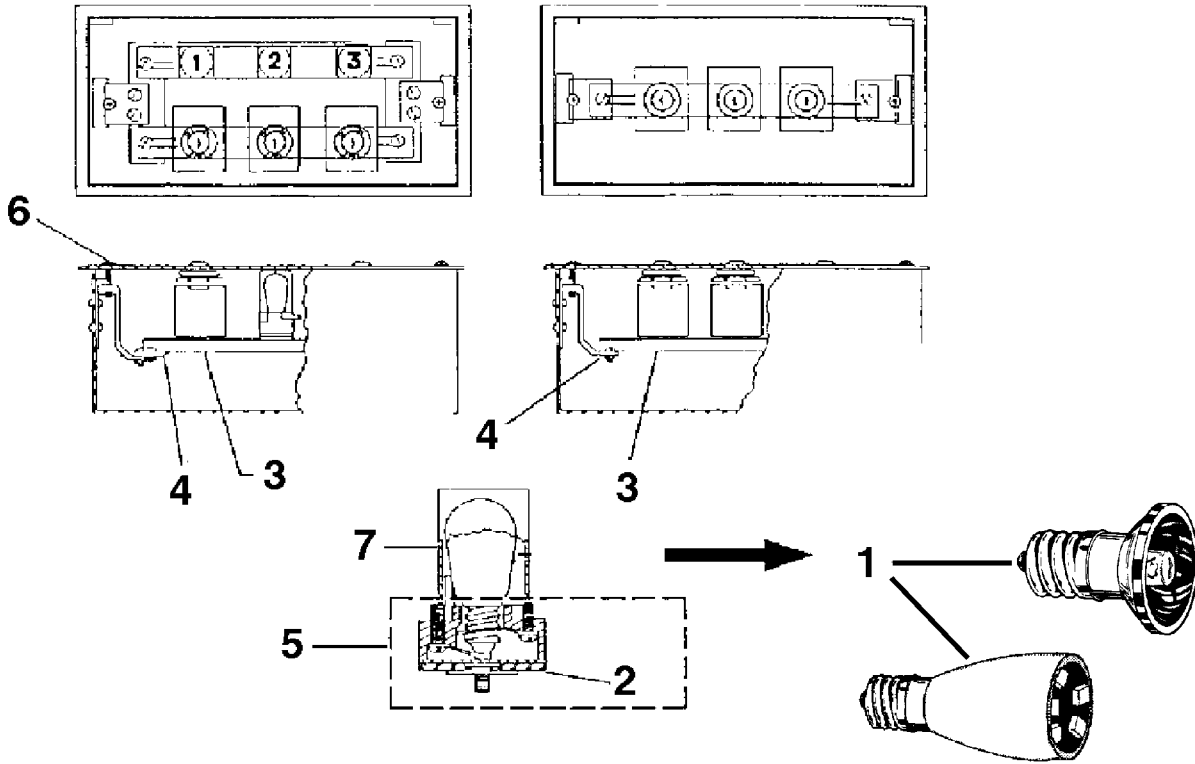
| REF. NO. | 6600P PART or ML | DESCRIPTION |
|----------|-----------------------|---|
| 1 | 275AJ1 | Barrier, Insulating |
| 2 | 316ACP1 | Bracket, Mounting |
| 3 | 340AA2-STOP-START-GEN | Collar, Marked: Stop-Start-Generator |
| | 340AA2-OFF-ON-PARK | Collar, Marked: Off-On-Park |
| 4 | Type 6410E | Contact, Key Operated,  SPL 31-6410A |
| 5 | Type A147CN | Faceplate, (Specify Finish and No. of Cutouts) |
| 6 | --- | Jewel, Specify Marking, Cast as Part of Faceplate |


(Continued on next page)

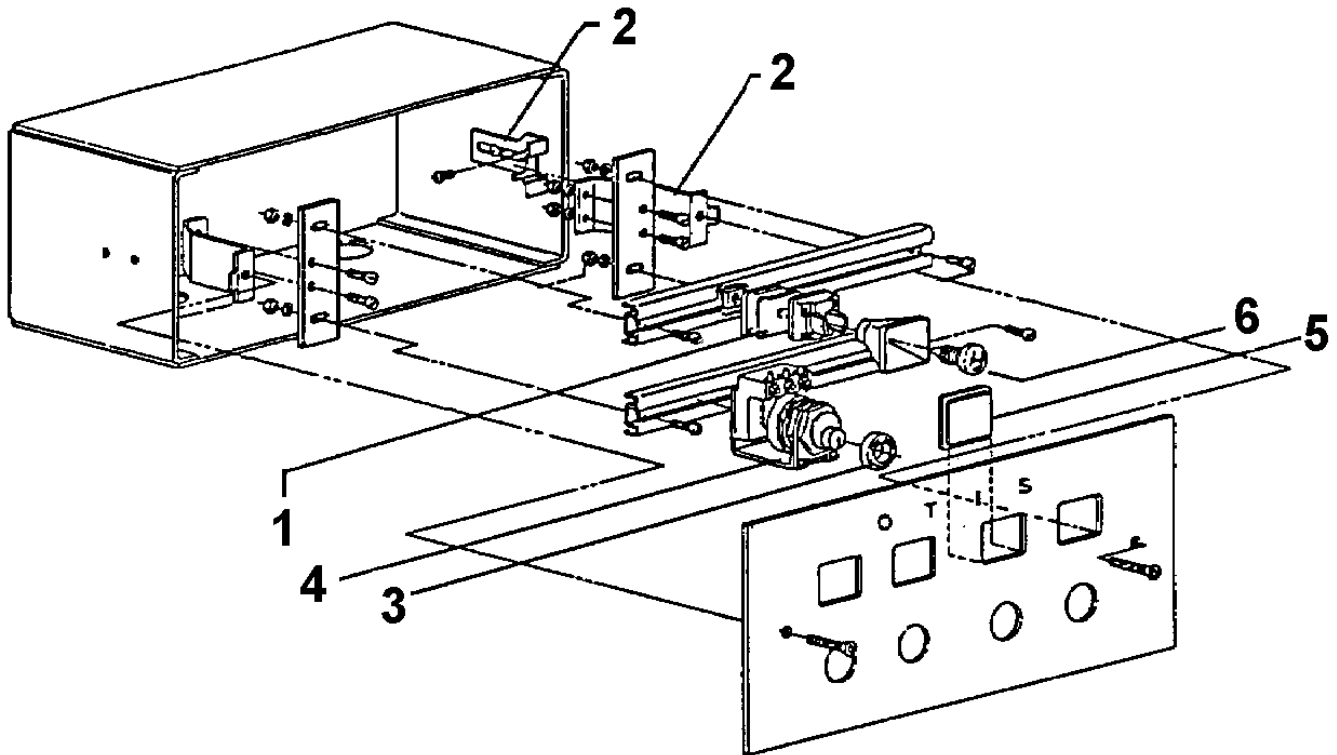
Type 6600P Key Operated Switch Panel


32-6600A

M.L. B6600P1, 2, 7 (Service Key Switch)
M.L. B6600P3. 4 (Parking Switch)



| REF. NO. | 6600P PART or ML | DESCRIPTION |
|----------|---------------------|---|
| 1 | 424H1 | Lamp, Sylvania, 120 V, 0.025 A, 3.0 W |
| | LO424R1 | Lamp, Neon |
| | AAA629AY18 | Lamp, LED, Red |
| | AAA629AY19 | Lamp, LED, Amber |
| | AAA629AY21 | Lamp, LED, Orange |
| | AAA629AY22 | Lamp, LED, Green |
| 2 | 386TV1 | Plate |
| 3 | 105CJ15 | Plate, Base, 8 in. L |
| | 105CJ18 | Plate, Base 8 5/8 in. L |
| | 105CJ39 | Plate, Base, 12 1/4 in. L |
| 4 | 386AKJ2 | Plate, Mounting, 6 Slots |
| 5 | Type 6644A | Receptacle, Base Assembly  Detail p. 7 |
| 6 | VP-860710 | Screw, Machine, Phillips, Oval 10-32 X 1 in. |
| 7 | 278AD2 | Shield, Light |

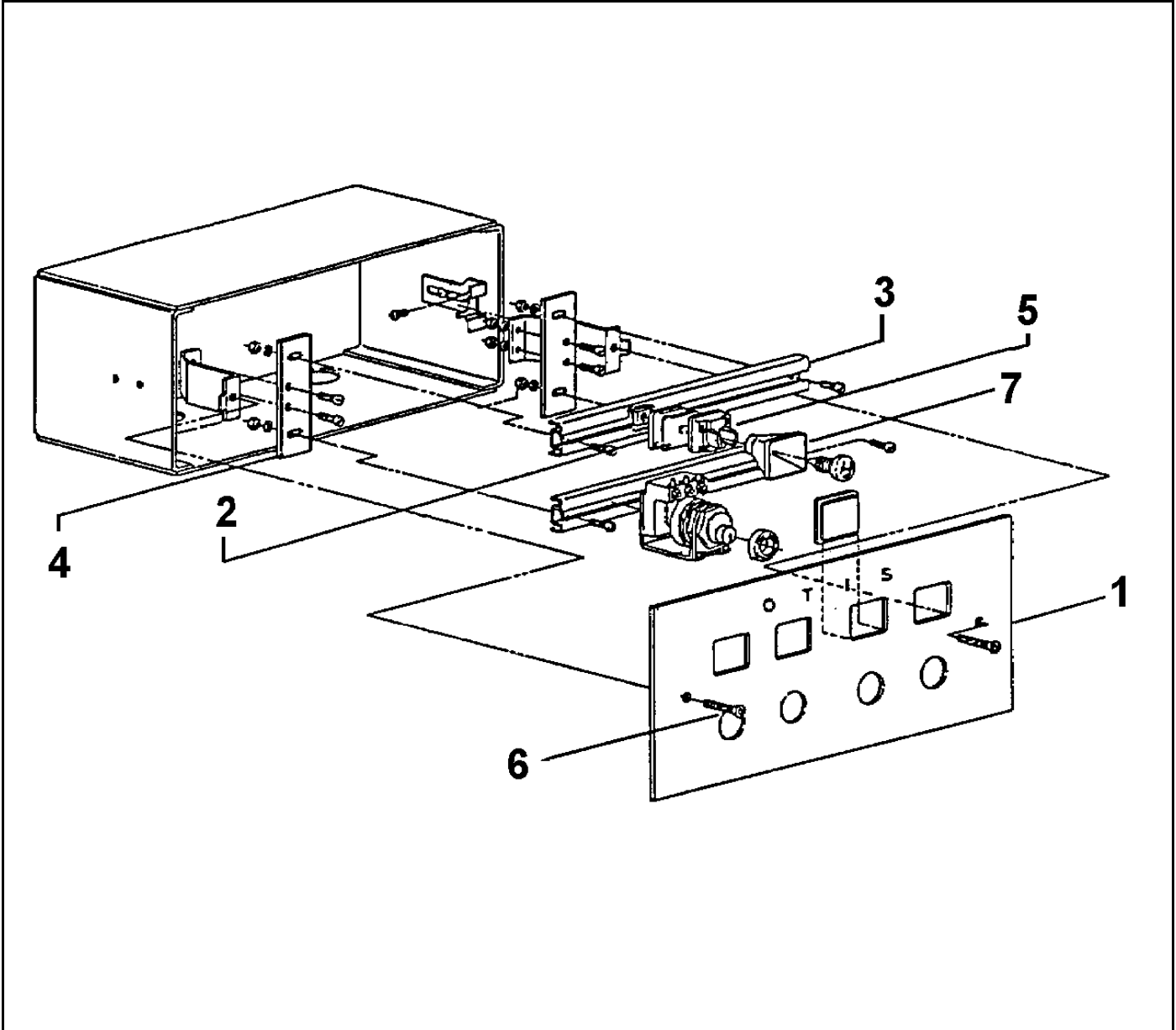



| REF. NO. | W/O VINTAGE PART or ML | DESCRIPTION |
|----------|---------------------------|--|
| 1 | 275AJ1 | Barrier, Insulating |
| 2 | 316ACP1 | Bracket, Mounting |
| 3 | 340AA2-STOP-START-GEN | Collar, Marked: Stop-Start-Generator |
| | 340AA2-OFF-ON-PARK | Collar, Marked: Off-On-Park |
| 4 | 6410E1 | Contact, Key Operated  SPL 31-6410A |
| 5 | 499AD1-* | Jewel, Marked Per Order (e.g., 499AD1-1) |
| 6 | 424H1 | Lamp, Sylvania, 120RC, 120 V, 0.025 A, 3.0 W |
| | VP-802115 | Lamp, Long-Life Replacement for 424H1 |
| | AAA629AY18 | Lamp, LED, Red, Replacement |
| | AAA629AY19 | Lamp, LED, Amber (for Above Incandescent) |

(Continued on next page)

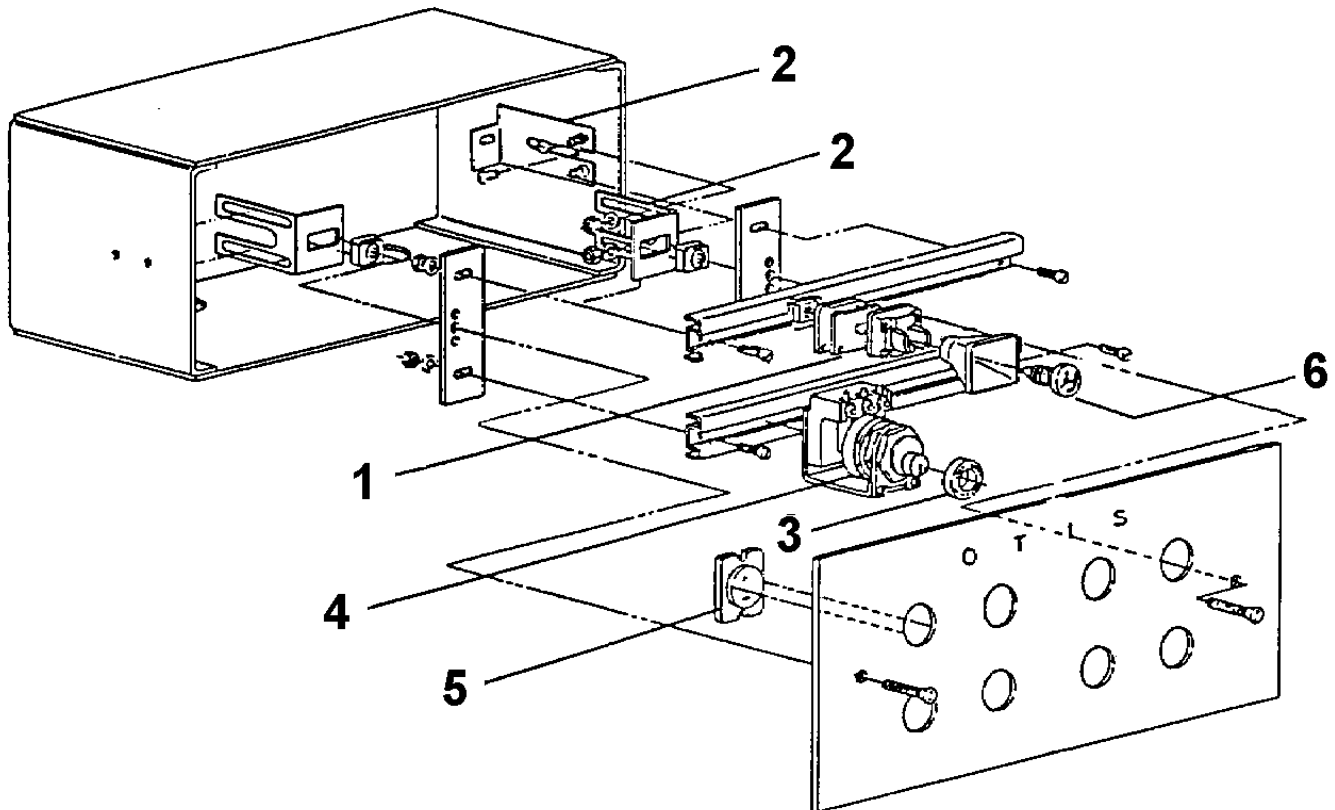
Type D6600P Key Operated Switch Panel


32-6600A



| REF. NO. | W/O VINTAGE PART or ML | DESCRIPTION |
|----------|---------------------------|--|
| 1 | Type B147CN | Faceplate, (Specify Finish and No. of Cutouts) |
| 2 | 386TV1 | Plate |
| 3 | 105CJ15 | Plate, Base, 8 in. L |
| | 105CJ18 | Plate, Base 8-5/8 in. L |
| 4 | 386AKJ2 | Plate, Mounting |
| 5 | Type 6644A | Receptacle, Base Assembly  Detail p. 10 |
| 6 | VP-860710 | Screw, Machine, Phillips, Oval, 10-32 X 1 in. |
| 7 | 278AD2 | Shield, Light |

Type 6600P Key Operated Switch Panel

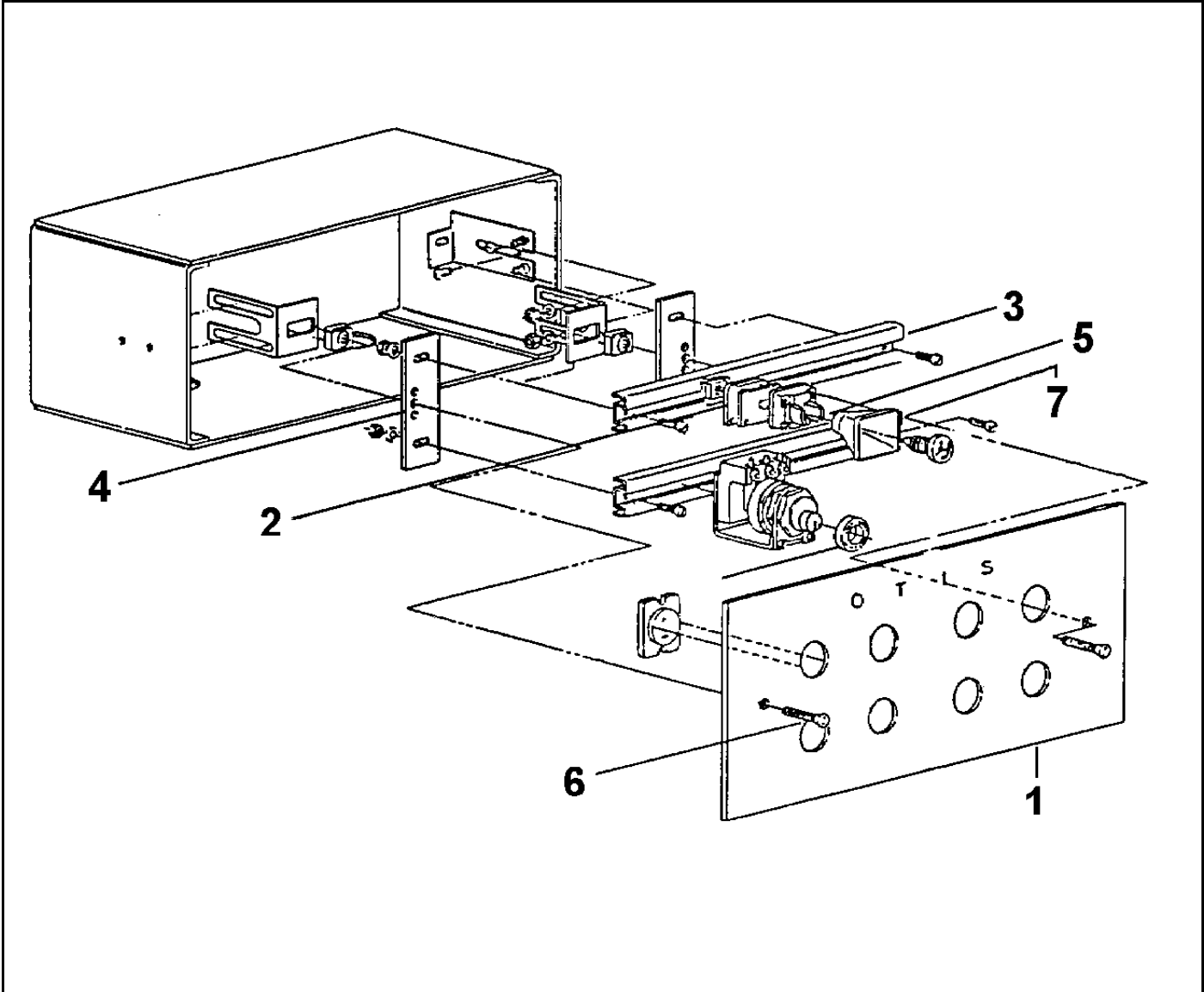



| REF. NO. | W/O VINTAGE PART or ML | DESCRIPTION |
|----------|---------------------------|--|
| 1 | 275AJ1 | Barrier, Insulating |
| 2 | 316DAV1 | Bracket, Mounting |
| 3 | 340AA2-STOP-START-GEN | Collar, Marked: Stop-Start-Generator |
| | 340AA2-OFF-ON-PARK | Collar, Marked: Off-On-Park |
| 4 | 6410E1 | Contact, Key Operated  SPL 31-6410A |
| 5 | 499AE1-* | Jewel, Marked Per Order (e.g., 499AE1-1) |
| 6 | 424H1 | Lamp, Sylvania®, 120 RC, 120 V, 0.025 A, 3.0 W |
| | VP-802115 | Lamp, Long-Life Replacement for 424H1 |
| | AAA629AY18 | Lamp, LED, Red, Replacement |
| | AAA629AY19 | Lamp, LED, Amber (for Above Incandescent) |

(Continued on next page)

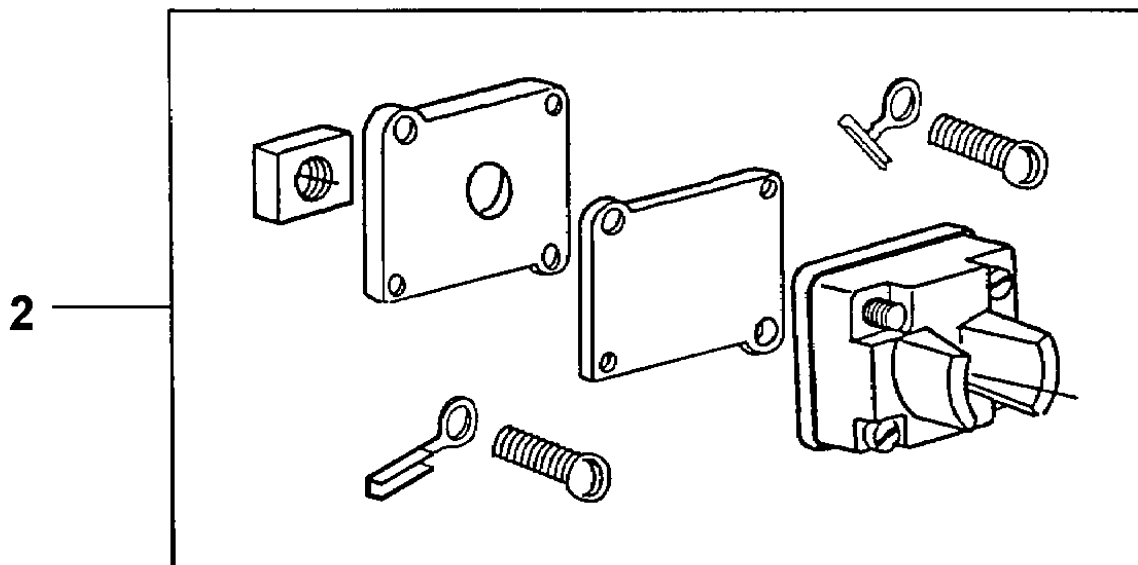
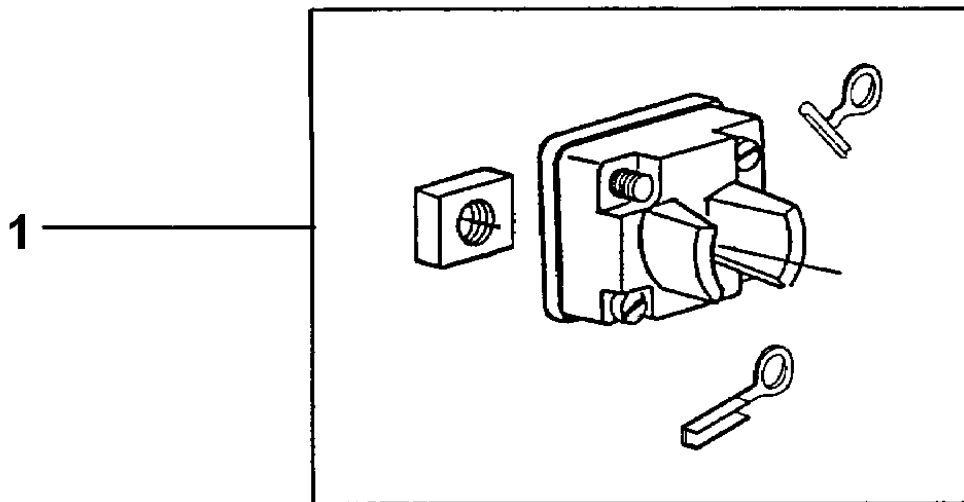
Type 6600P Key Operated Switch Panel

32-6600A



| REF. NO. | W/O VINTAGE | |
|----------|-------------|---|
| | PART or ML | DESCRIPTION |
| 1 | Type C147CN | Faceplate (Specify Finish and No. of Cutouts) |
| 2 | 386TV1 | Plate |
| 3 | 105GH6 | Plate, Base, 8 in. L |
| | 105GH8 | Plate, Base 9.20 in. L |
| 4 | 386AKJ3 | Plate, Mounting |
| 5 | Type 6644A | Receptacle, Base Assembly  Detail p. 7 |
| 6 | 124DK5 | Screw, Tamperproof, 8-32 x 1/2, Stainless Steel |
| | 124DK6 | Screw, Tamperproof, 8-32 x 1/2, Brass |
| 7 | 278AD2 | Shield, Light |

Lamp Receptacle Assemblies



| REF. NO. | W/O Vintage PART or ML | DESCRIPTION |
|----------|---------------------------|---|
| 1 | 6644A3 | Assembly, Base, 2 Terminals & 74G2 Nut |
| 2 | 2226A2 | Assembly, Receptacle 6644A3 Base Assembly, & Hardware |