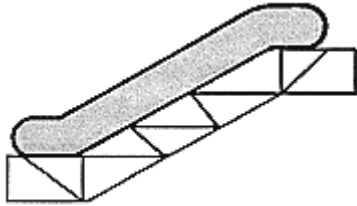


SPL 32-9703JJ - Emergency Stop Box 506 Slimline - NAO

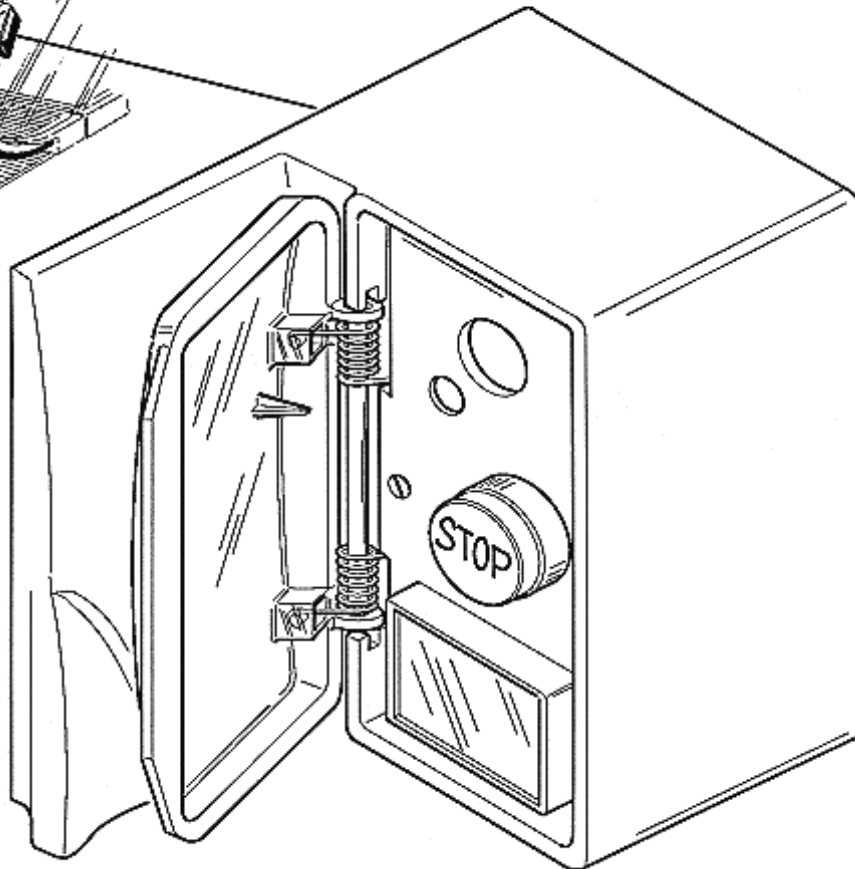
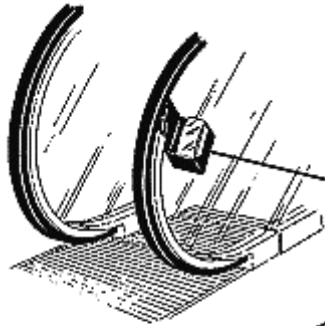
Unpublished Work - © Otis Elevator Company. Any unauthorized reproduction, disclosure, or distribution of copies or content by any person of any portion of this work may be a violation of Copyright Law of the United States of America. All rights reserved.

March 1990

Page 1

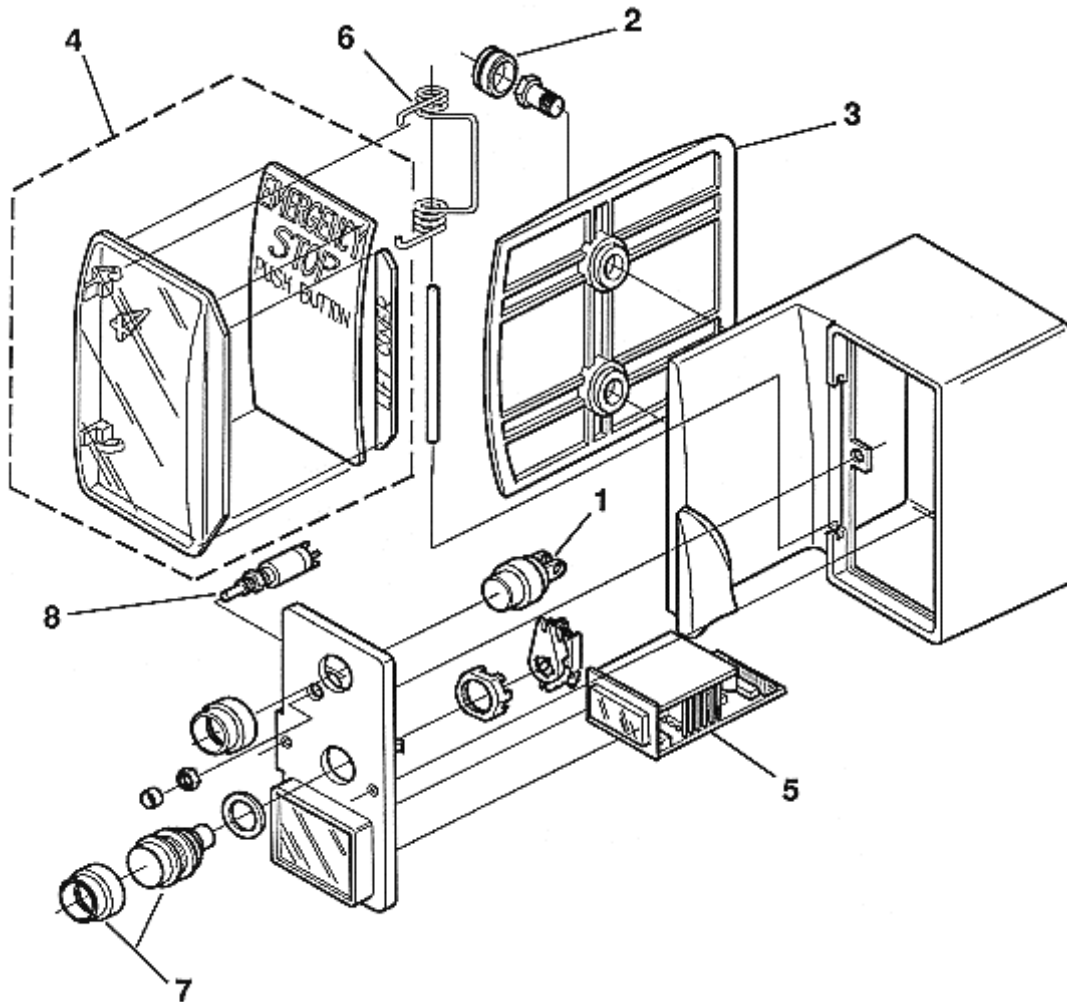


CONTRACT NO.	TOP	YEAR	UNITED STATES OF AMERICA
CONTROLLER	101	TENSION DAMAGE	501
QUICK CHECK	101	STOP	501
INSPECTION DEVICE	101	STOP CHAIN	501
STOP BUTTON	501	HANDRAIL DRIVE	501
LUBRICATION SYSTEM	501	HANDRAIL ENTRY DEVICE	501
DRIVE CHAINS	501	FLOORPLATE LPP/LDQ	501
MAIN DRIVE	501	FLOORPLATE LPP/LDQ	501
MAIN OR SHAFT BRAKE	501	SKULLTRACE	501
DOMINATION LIGHTS	501	SKIRT PANEL	501
		FLUORESCENT LIGHTS	501
HANDRAIL TYPE		LENGTH	MM COLOR
SKULLTRACE FRAME			



SPL 32-9703JJ - Emergency Stop Box 506 Slimline - NAO

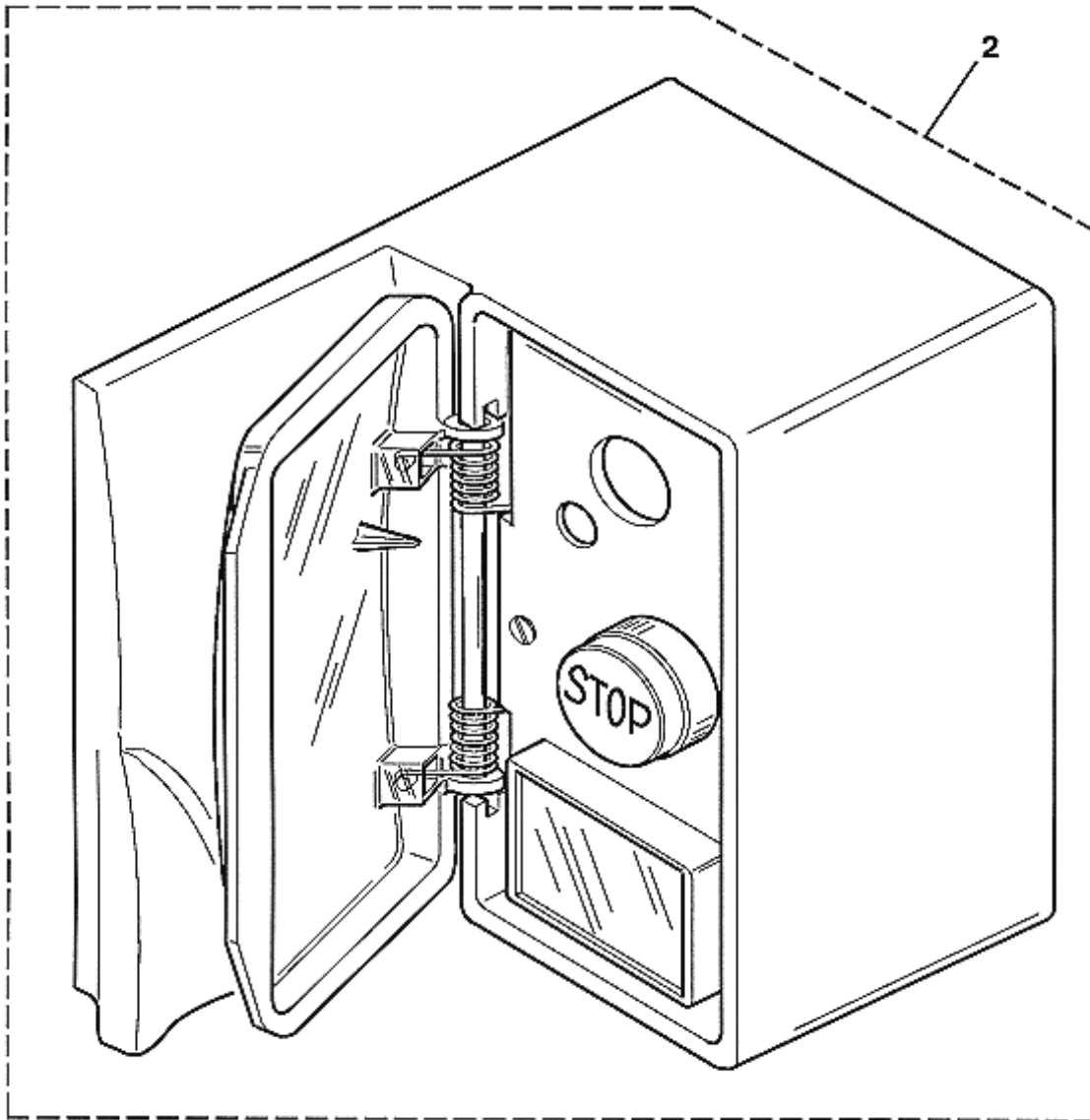
Page 2



VINTAGE R 01		
REF. No.	PART OR ML	DESCRIPTION
1	BUZZER-11806815	Buzzer, 24V AC
2	GO329AB1	Cap, Cover
3	GO147KB1	Cover, Appearance
4	2700CBM1	Kit: Cover w/Labels, English
	2700CBM2	Kit: Cover w/Labels, Francais
5	9703FE2	Quick Check Display, w/Logo
	9703FE3	Quick Check Display w/o Logo
6	GO94AM1	Spring
7	GOA323AJ1	Stop Button
8	SWT-U811MY3ZGE	Switch

SPL 32-9703JJ - Emergency Stop Box 506 Slimline - NAO

Page 3



REF. No.	VINTAGE R 01 PART OR ML	DESCRIPTION
1	9703JJ1	Assembly, English, (display reads OTIS and faults)
	9703JJ2	Assembly, Francais, (display reads OTIS and faults)
	9703JJ3	Assembly, English, (w/o quick check display)
	9703JJ4	Assembly, Francais, (w/o quick check display)
	9703JJ5	Assembly, English, (display reads faults only)
	9703JJ6	Assembly, Francais, (display reads faults only)