

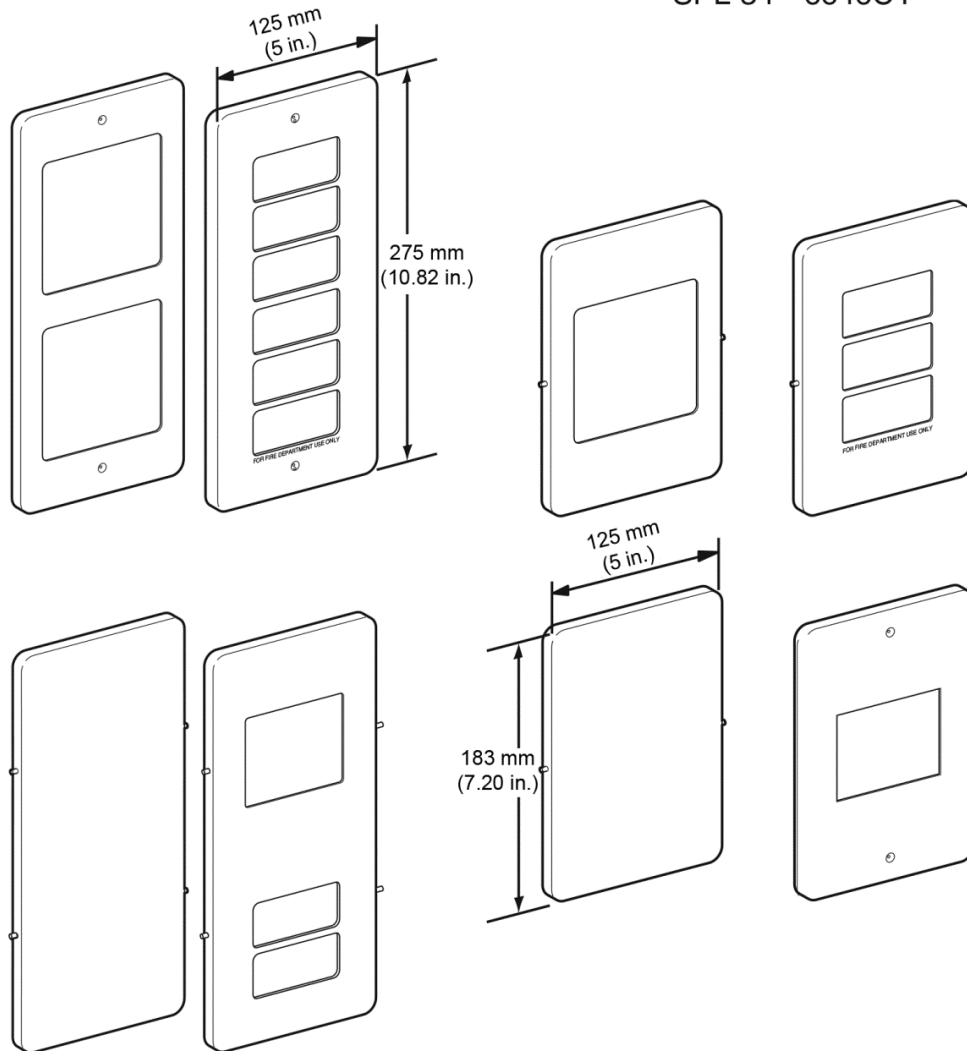
Advanced Fixture: Raised Faceplates

Spare Parts Leaflet 32-AAA147NX

June 8, 2022 / Page 1 of 13

W/O VINTAGE

W → SPL 32-AAA7069BE
SPL 32-AAA7069BN
SPL 32-AAA7069AAM
SPL 22-7069AN
SPL 34-6646CY



OTIS

This document does not contain technical data controlled by the EAR or ITAR

SERVICE ENGINEERING
Otis Elevator Company
Bloomfield, Connecticut USA

Unpublished Work—© Otis Elevator Co.; 2022

Leaflet Description

This leaflet describes raised faceplates for advanced fixtures, which include front-mounted faceplates and side-mounted faceplates.

Leaflet Revisions

Date Revised	Subject Matter Expert	Reason for Revision
September 1997	Stephen Karvazy	New SPL
March 31, 2009	Michael Bertini	Corrected cross reference on page 1; added AAA147NY19 through 26; added new illustrations.
May 11, 2016	Joseph Zych	Corrected p/ns ISO4027M3X8-45H-Z and ISO4027M3X5-45H-Z
November 23, 2016	Joseph Zych	Added new assembly types AAA147NX on pp. 6–7 and assembly types AAA147NY on pp. 14–15
August 23, 2017	Joseph Zych	Corrected p. 7
June 8, 2022	Vadzim Fedarenka	Updated History page; Removed pp. 14-15

Related Drawings

Drawing No.	Title	Drawing No.	Title
AAA147NX	Faceplate, Hall Panels	AAA147NY	Faceplates, Hall Lantern & Position Indicator

Related Documents

Document ID	Title
SPL 22-7069AN	Advanced Fixture: Raised Hall Position Indicator
SPL 32-AAA7069BE	Advanced Fixture: Raised & Modular Hall Panels
SPL 32-AAA7069AAM	Advanced Fixture: GEM Series 1, Raised Flashing Sign Hall Panel
SPL 32-AAA7069BN	Hall Panel: Type AAA7069BN
SPL 34-6646CY	Hall Lanterns, Hall Position Indicators
TIP 4.1.0-3	E401 Hallway Fixture Faceplate Mounting Enhancements
TIP 41.1-86	Tamper-Proof Screwdriver

Subject Matter Expert

Name	Department
Vadzim Fedarenka	OSC Service Engineering

About Spare Parts Leaflets...

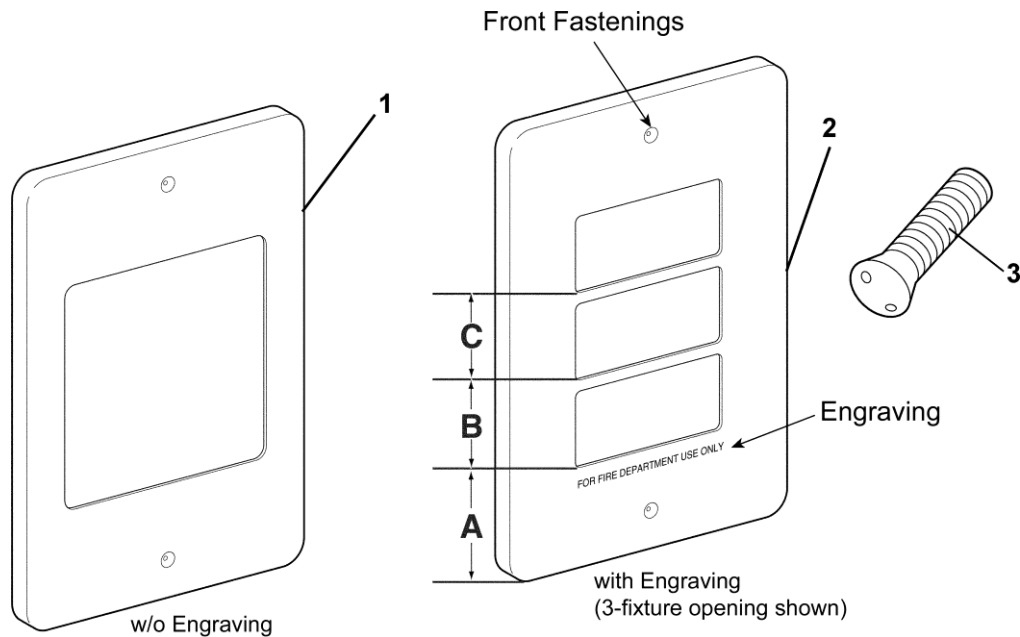
This document lists the lowest replaceable units (LRUs) for the standard version of the product. The LRUs are chosen by a team of Otis associates representing engineering and manufacturing.

While goal of this document is to make parts identification as easy as possible, the document cannot be all-inclusive. Elevator and escalator contracts classified as “special” or “custom” are not addressed here. For such contracts, please refer to specified information, the contract folder, TIPs, Field Education Articles, Construction Letters, etc. for further information.

If you have any suggestions about this document, please contact the subject matter expert listed on this page.

Faceplates with Front Fastenings

32-AAA147NX



**Material
&
Finish
Options**

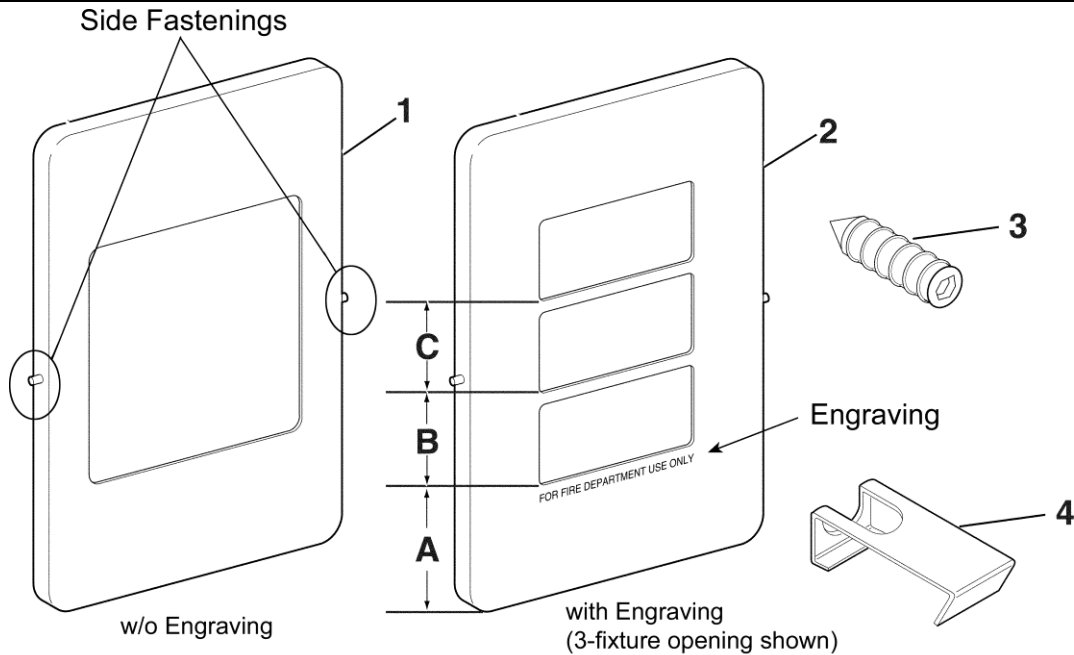
Stainless Steel	Bronze	Ferritic Steel
Mill 4 = MF4	Brushed = BR7	Mill 4 = FS4
Brushed = SS4	Mirror = BR8	
Mirror = SS8		

W/O VINTAGE					
REF. No.	PART No. (see NOTE)	DESCRIPTION	A (mm)	B (mm)	C (mm)
1	AAA147NX1-__	Used w/ Lantern / Position Indicator, w/o Engraving, 91.08 mm Sq. Openings	-	-	-
2	AAA147NX2-__	1-Fixture Opening, w/o Engraving	76.14	-	-
	AAA147NX3-__	2-Fixture Opening, w/o Engraving	58.39	35.5	-
	AAA147NX4-__	3-Fixture Opening, w/o Engraving	40.64	35.5	35.5
	AAA147NX5-__	1-Fixture Opening, w/ Engraving	76.14	-	-
	AAA147NX6-__	2-Fixture Opening, w/ Engraving	58.39	35.5	-
	AAA147NX7-__	3-Fixture Opening, w/ Engraving	40.64	35.5	35.5
3	124DK25	Screw, Spanner Head, Stainless Steel, Used w/ Finish MF4, SS4			
	124DK26	Screw, Spanner Head, Stainless Steel, Used w/ Finish BR7			
	124DK23	Screw, Spanner Head, Stainless Steel, Used w/ Finish SS8			
	124DK24	Screw, Spanner Head, Stainless Steel, Used w/ Finish BR8			

NOTE: Complete the part number identification with the finish designation.
Example: AAA147NX1-MF4.

32-AAA147NX

Faceplates w/Side Fastenings



Material & Finish Options

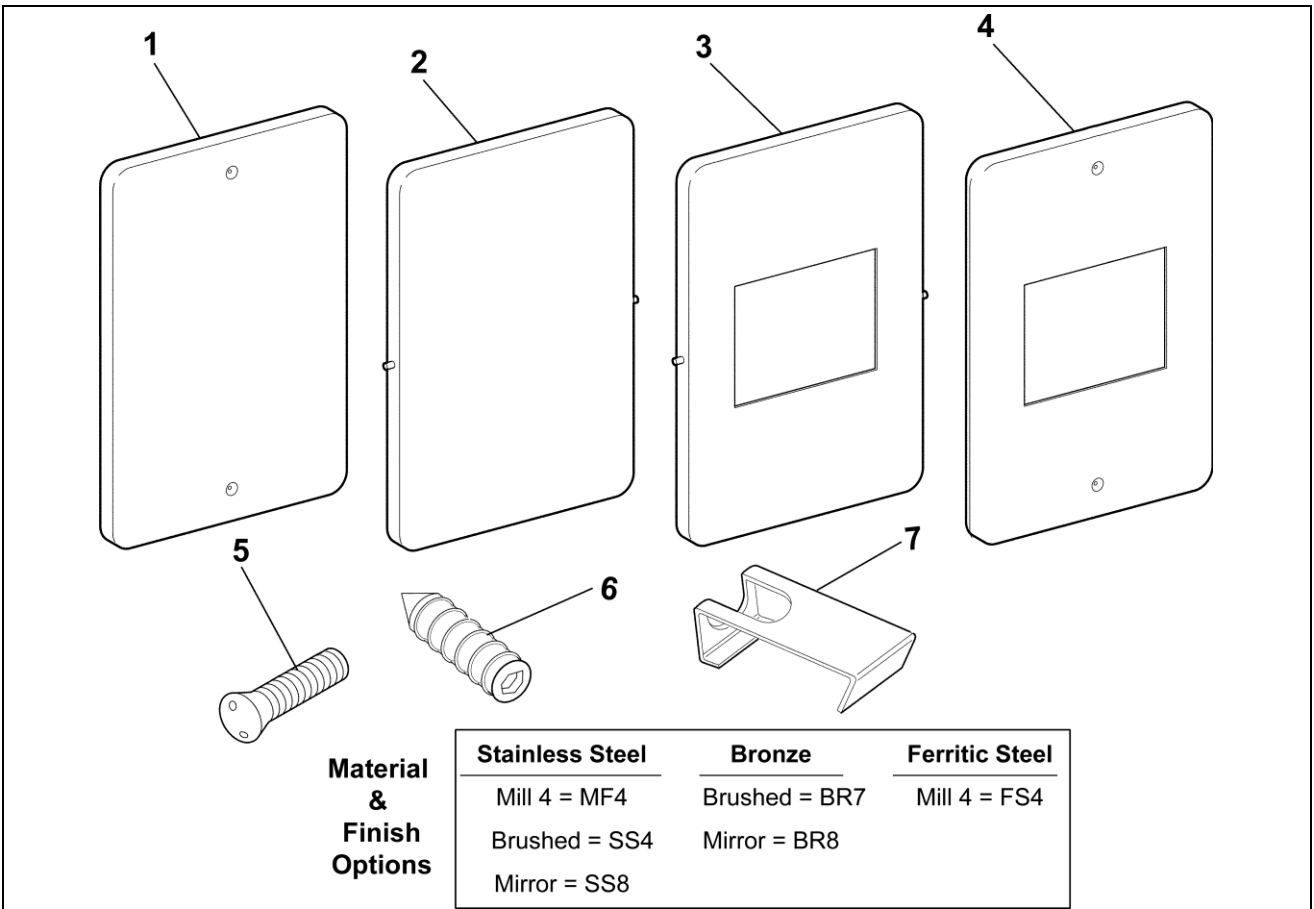
Stainless Steel	Bronze	Ferritic Steel
Mill 4 = MF4	Brushed = BR7	Mill 4 = FS4
Brushed = SS4	Mirror = BR8	
Mirror = SS8		

W/O VINTAGE					
REF. No.	PART No. (see NOTE)	DESCRIPTION	A (mm)	B (mm)	C (mm)
1	AAA147NX8-__	Faceplate, Side-Secured, Used w/ Lantern / Position Indicator, w/o Engraving, 91.08 mm Sq. Openings	-	-	-
2	AAA147NX9-__	Faceplate, Side-Secured, 1-Fixture Opening, w/o Engraving	76.14	-	-
	AAA147NX10-__	Faceplate, Side-Secured, 2-Fixture Opening, w/o Engraving	58.39	35.5	-
	AAA147NX11-__	Faceplate, Side-Secured, 3-Fixture Opening, w/o Engraving	40.64	35.5	35.5
	AAA147NX12-__	Faceplate, Side-Secured, 1-Fixture Opening, w/ Engraving	76.14	-	-
	AAA147NX13-__	Faceplate, Side-Secured, 2-Fixture Opening, w/ Engraving	58.39	35.5	-
	AAA147NX14-__	Faceplate, Side-Secured, 3-Fixture Opening, w/ Engraving	40.64	35.5	35.5
3	ISO4027M3X8-45H-Z	Set Screw, Cone Point, M3x8mm			
	ISO4027M3X5-45H-Z	Set Screw, Cone Point, M3x5mm, Used w/ Spring Clip			
4	AAA330FC1	Spring Clip, See TIP 4.1.0-3 for Use of Spring Clip Fastener			

NOTE: Complete the part number identification with the finish designation.
Example: AAA147NX1-MF4.

Faceplates with Front & Side Fastenings

32-AAA147NX



**Material
&
Finish
Options**

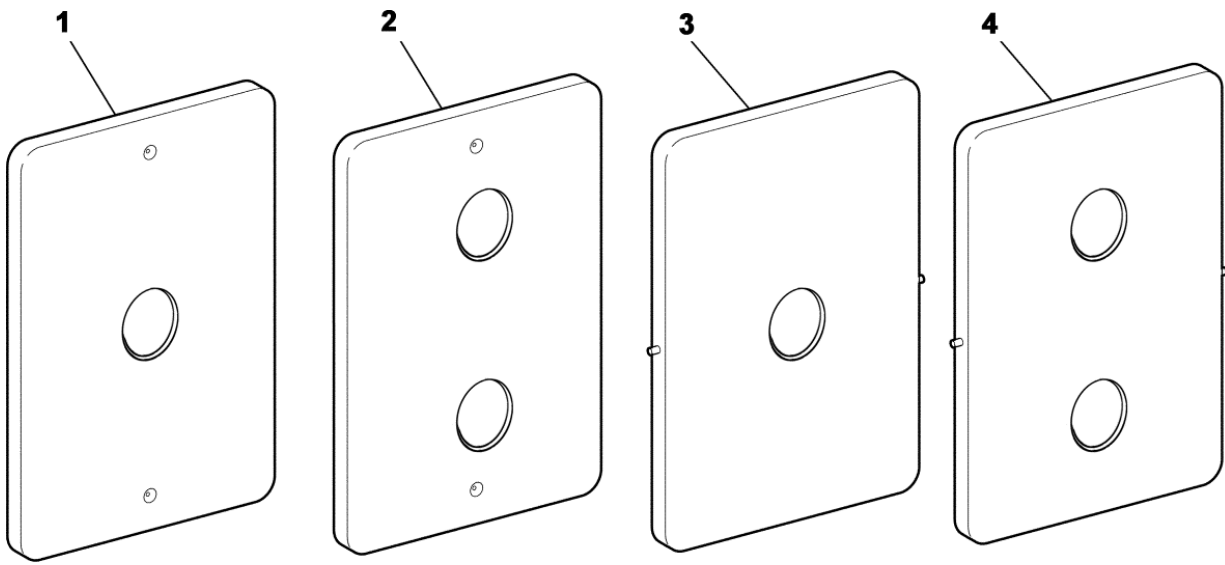
Stainless Steel	Bronze	Ferritic Steel
Mill 4 = MF4	Brushed = BR7	Mill 4 = FS4
Brushed = SS4	Mirror = BR8	
Mirror = SS8		

REF. No.	W/O VINTAGE PART No. (see NOTE)	DESCRIPTION
1	AAA147NX15-__	Faceplate, Front-Secured, Blank, w/o Engraving
2	AAA147NX16-__	Faceplate, Side-Secured, Blank, w/o Engraving
3	AAA147NX17-__	Faceplate, Side-Secured, 58.42 x 76.15 mm Single Opening, Used w/ Flasher Sign
4	AAA147NX18-__	Faceplate, Front-Secured, 58.42 x 76.15 mm Single Opening, Used w/ Flasher Sign
5	124DK25	Screw, Spanner Head, Stainless Steel, Used w/ Finish MF4, SS4
	124DK26	Screw, Spanner Head, Stainless Steel, Used w/ Finish BR7
	124DK23	Screw, Spanner Head, Stainless Steel, Used w/ Finish SS8
	124DK24	Screw, Spanner Head, Stainless Steel, Used w/ Finish BR8
6	ISO4027M3X8-45H-Z	Set Screw, Cone Point, M3 x 8 mm
	ISO4027M3X5-45H-Z	Set Screw, Cone Point, M3 x 5 mm, Used w/ Spring Clip
7	AAA330FC1	Spring Clip, See TIP 4.1.0-3 for Use of Spring Clip Fastener

NOTE: Complete the part number identification with the finish designation.
Example: AAA147NX1-MF4.

32-AAA147NX

Faceplates w/ Front & Side Fastenings

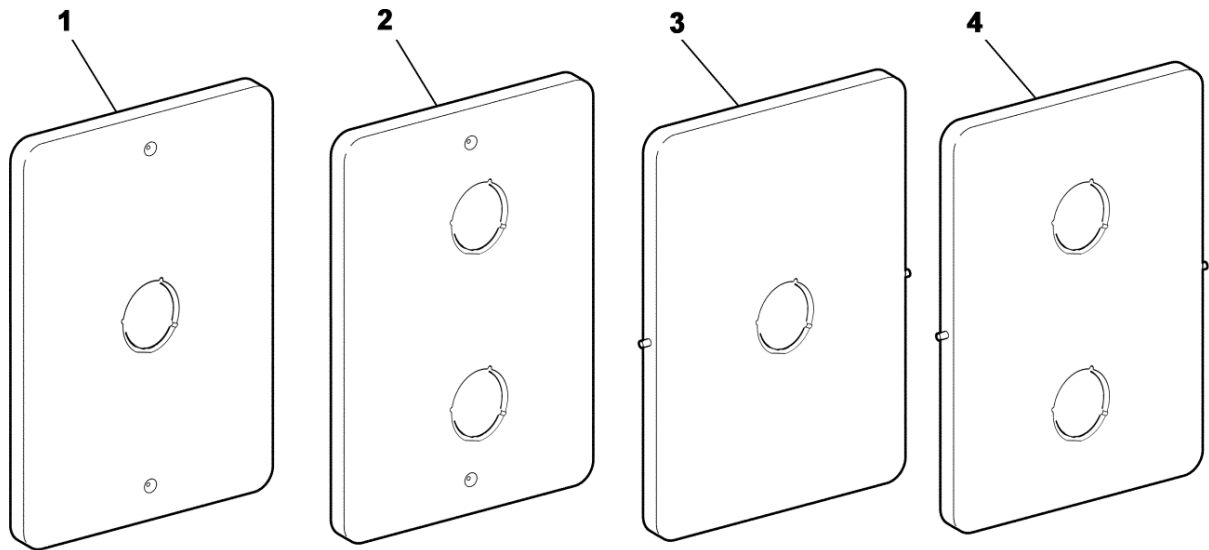


Material & Finish Options

Stainless Steel	Bronze	Ferritic Steel
Mill 4 = MF4	Brushed = BR7	Mill 4 = FS4
Brushed = SS4	Mirror = BR8	
Mirror = SS8		

W/O VINTAGE		
REF. No.	PART No. (see NOTE)	DESCRIPTION
1	AAA147NX29-__	Assembly: Faceplate, Front-Secured, w/o Engraving, Single Opening; Includes Plate p/n ABA386LHR1; Used with Micromotion III (NEL) Luxury Buttons
	AAA147NX30-__	Assembly: Faceplate, Front-Secured, w/ Engraving, Single Opening; Includes Plate p/n ABA386LHR1; Used with Micromotion III (NEL) Luxury Buttons
2	AAA147NX31-__	Assembly: Faceplate, Front-Secured, w/o Engraving, Double Opening; Includes Plate p/n ABA386LHR1; Used with Micromotion III (NEL) Luxury Buttons
3	AAA147NX32-__	Assembly: Faceplate, Side-Secured, w/o Engraving, Single Opening; Includes Plate p/n ABA386LHR1; Used with Micromotion III (NEL) Luxury Buttons
	AAA147NX33-__	Assembly: Faceplate, Side-Secured, w/ Engraving, Single Opening; Includes Plate p/n ABA386LHR1; Used with Micromotion III (NEL) Luxury Buttons
4	AAA147NX34-__	Assembly: Faceplate, Side-Secured, w/o Engraving, Double Opening; Includes Plate p/n ABA386LHR1; Used with Micromotion III (NEL) Luxury Buttons
5	124DK25	Screw, Spanner Head, Stainless Steel, Used w/ Finish MF4, SS4
	124DK26	Screw, Spanner Head, Stainless Steel, Used w/ Finish BR7
	124DK23	Screw, Spanner Head, Stainless Steel, Used w/ Finish SS8
	124DK24	Screw, Spanner Head, Stainless Steel, Used w/ Finish BR8
6	ISO4027M3X8-45H-Z	Set Screw, Cone Point, M3 x 8 mm
	ISO4027M3X5-45H-Z	Set Screw, Cone Point, M3 x 5 mm, Used w/ Spring Clip p/n AAA330FC1

NOTE: Complete the part number identification with the finish designation. Example: AAA147NX1-MF4.



Material & Finish Options

Stainless Steel	Bronze	Ferritic Steel
Mill 4 = MF4	Brushed = BR7	Mill 4 = FS4
Brushed = SS4	Mirror = BR8	
Mirror = SS8		

W/O VINTAGE		
REF. No.	PART No. (see NOTE)	DESCRIPTION
1	AAA147NX35-__	Assembly: Faceplate, w/o Engraving, Single Opening; Includes Plate p/n ABA386LHR1; Used with Series 5 Keyswitches and Jewels
2	AAA147NX36-__	Assembly: Faceplate, w/o Engraving, Double Opening; Includes Plate p/n ABA386LHR1; Used with Series 5 Keyswitches and Jewels
3	AAA147NX37-__	Assembly: Faceplate, Side-Secured, w/o Engraving, Single Opening; Includes Plate p/n ABA386LHR1; Used with Series 5 Keyswitches and Jewels
4	AAA147NX38-__	Assembly: Faceplate, Side-Secured, w/o Engraving, Double Opening; Includes Plate p/n ABA386LHR1; Used with Series 5 Keyswitches and Jewels
5	124DK25	Screw, Spanner Head, Stainless Steel, Used w/ Finish MF4, SS4
	124DK26	Screw, Spanner Head, Stainless Steel, Used w/ Finish BR7
	124DK23	Screw, Spanner Head, Stainless Steel, Used w/ Finish SS8
	124DK24	Screw, Spanner Head, Stainless Steel, Used w/ Finish BR8
6	ISO4027M3X8-45H-Z	Set Screw, Cone Point, M3 x 8 mm
	ISO4027M3X5-45H-Z	Set Screw, Cone Point, M3 x 5 mm, Used w/ Spring Clip p/n AAA330FC1

NOTE: Complete the part number identification with the finish designation.
 Example: AAA147NX1-MF4.

Faceplates with Front Fastenings

Material & Finish Options	Stainless Steel	Bronze	Ferritic Steel
	Mill 4 = MF4	Brushed = BR7	Mill 4 = FS4
	Brushed = SS4	Mirror = BR8	
	Mirror = SS8		

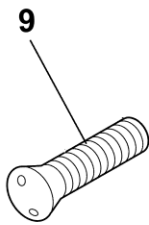
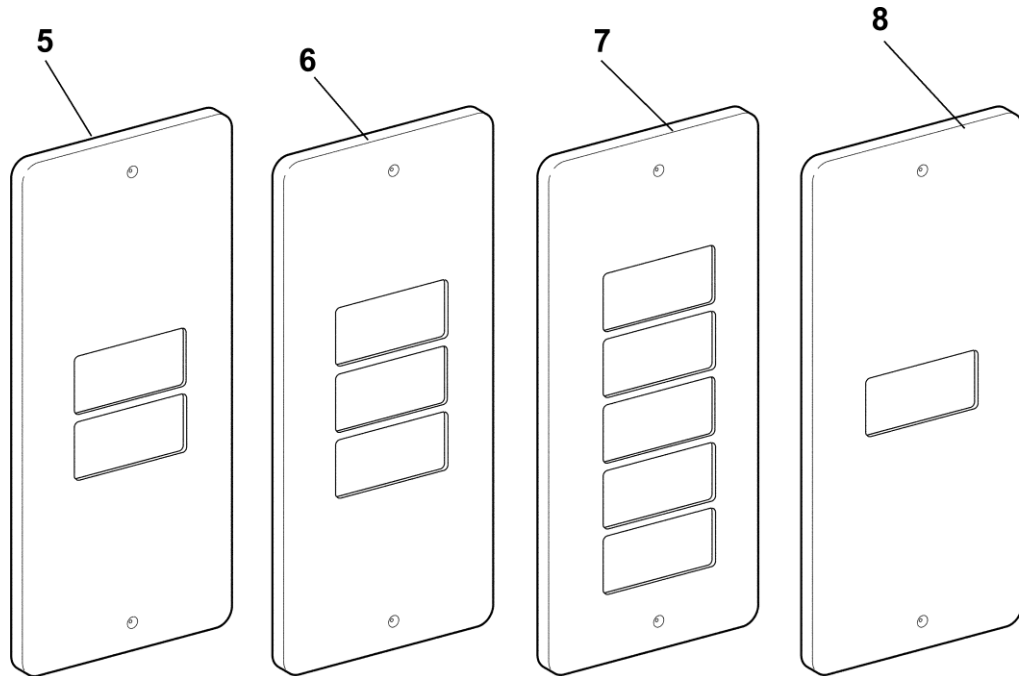
	W/O VINTAGE	
REF. No.	PART No. (see NOTE)	DESCRIPTION
1	AAA147NY1-__	Faceplate, Front-Secured, Used w/ Hall Lantern & Position Indicator
2	AAA147NY2-__	Faceplate, Front-Secured, 4-Fixture Openings w/o Engraving
	AAA147NY3-__	Faceplate, Front-Secured, 4-Fixture Openings w/ Engraving
3	AAA147NY5-__	Faceplate, Front-Secured, Blank, w/ Engraving
4	AAA147NY11-__	Faceplate, Front-Secured, Blank, w/o Engraving
5	124DK25	Screw, Spanner Head, Stainless Steel, Used w/ Finish MF4, SS4
	124DK26	Screw, Spanner Head, Stainless Steel, Used w/ Finish BR7
	124DK23	Screw, Spanner Head, Stainless Steel, Used w/ Finish SS8
	124DK24	Screw, Spanner Head, Stainless Steel, Used w/ Finish BR8

NOTE: Complete the part number identification with the finish designation.
Example: AAA147NX1-MF4.

(Continued on next page)

Faceplates with Front Fastenings

32-AAA147NX



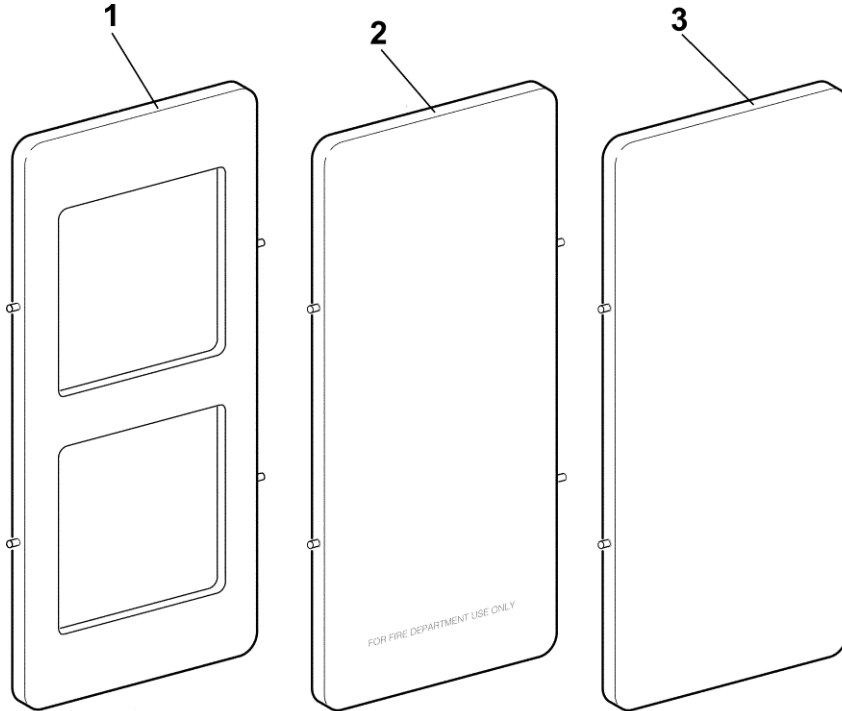
**Material
&
Finish
Options**

Stainless Steel	Bronze	Ferritic Steel
Mill 4 = MF4	Brushed = BR7	Mill 4 = FS4
Brushed = SS4	Mirror = BR8	
Mirror = SS8		

W/O VINTAGE		
REF. No.	PART No. (see NOTE)	DESCRIPTION
5	AAA147NY20-__	Faceplate, Front-Secured, 2-Fixture Opening, w/o Engraving
6	AAA147NY21-__	Faceplate, Front-Secured, 3-Fixture Opening, w/o Engraving
7	AAA147NY22-__	Faceplate, Front-Secured, 5-Fixture Opening, w/o Engraving
8	AAA147NY19-__	Faceplate, Front-Secured, 1-Fixture Opening, w/o Engraving
9	124DK25	Screw, Spanner Head, Stainless Steel, Used w/ Finish MF4, SS4
	124DK26	Screw, Spanner Head, Stainless Steel, Used w/ Finish BR7
	124DK23	Screw, Spanner Head, Stainless Steel, Used w/ Finish SS8
	124DK24	Screw, Spanner Head, Stainless Steel, Used w/ Finish BR8

NOTE: Complete the part number identification with the finish designation.
Example: AAA147NX1-MF4.

Faceplates with Side Fastenings



**Material
&
Finish
Options**

Stainless Steel	Bronze	Ferritic Steel
Mill 4 = MF4	Brushed = BR7	Mill 4 = FS4
Brushed = SS4	Mirror = BR8	
Mirror = SS8		

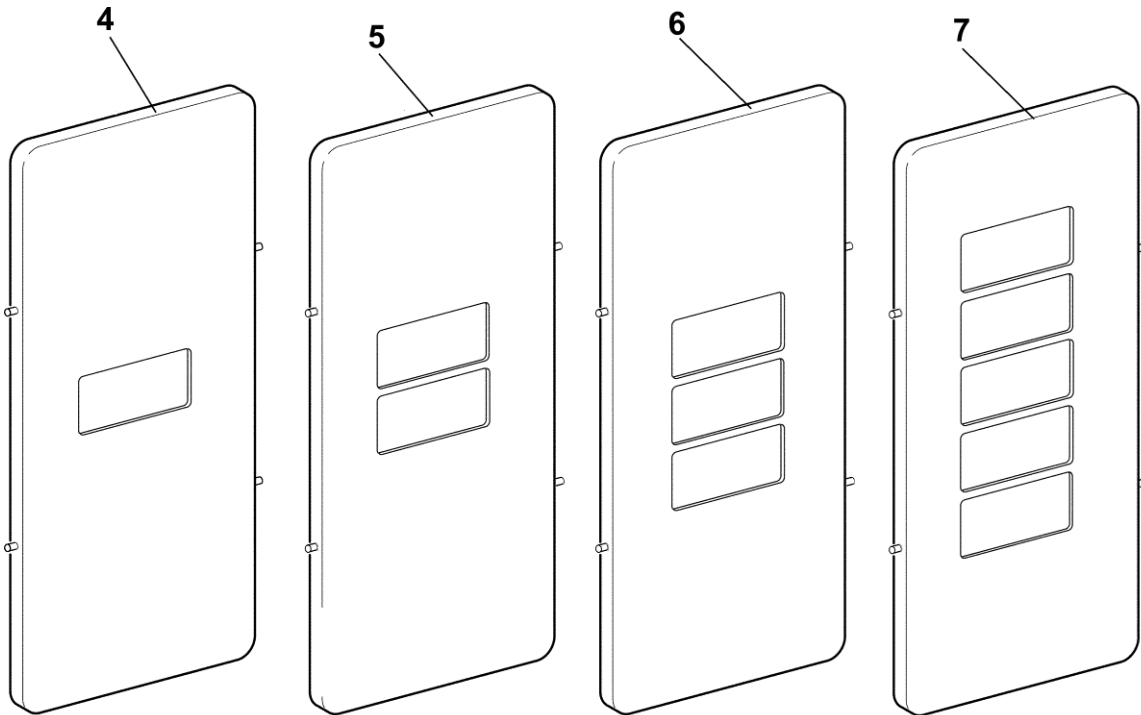
W/O VINTAGE		
REF. No.	PART No. (see NOTE)	DESCRIPTION
1	AAA147NY6-__	Faceplate, Side-Secured, Used w/ Hall Lantern & Position Indicator
2	AAA147NY10-__	Faceplate, Side-Secured, Blank, w/ Engraving
3	AAA147NY12-__	Faceplate, Side-Secured, Blank, w/o Engraving

NOTE: Complete the part number identification with the finish designation.
Example: AAA147NX1-MF4.

(Continued on next page)

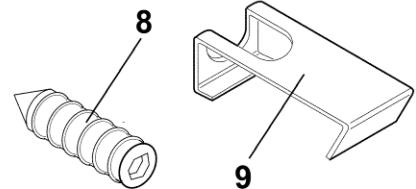
Faceplates with Side Fastenings

32-AAA147NX



**Material
&
Finish
Options**

Stainless Steel	Bronze	Ferritic Steel
Mill 4 = MF4	Brushed = BR7	Mill 4 = FS4
Brushed = SS4	Mirror = BR8	
Mirror = SS8		

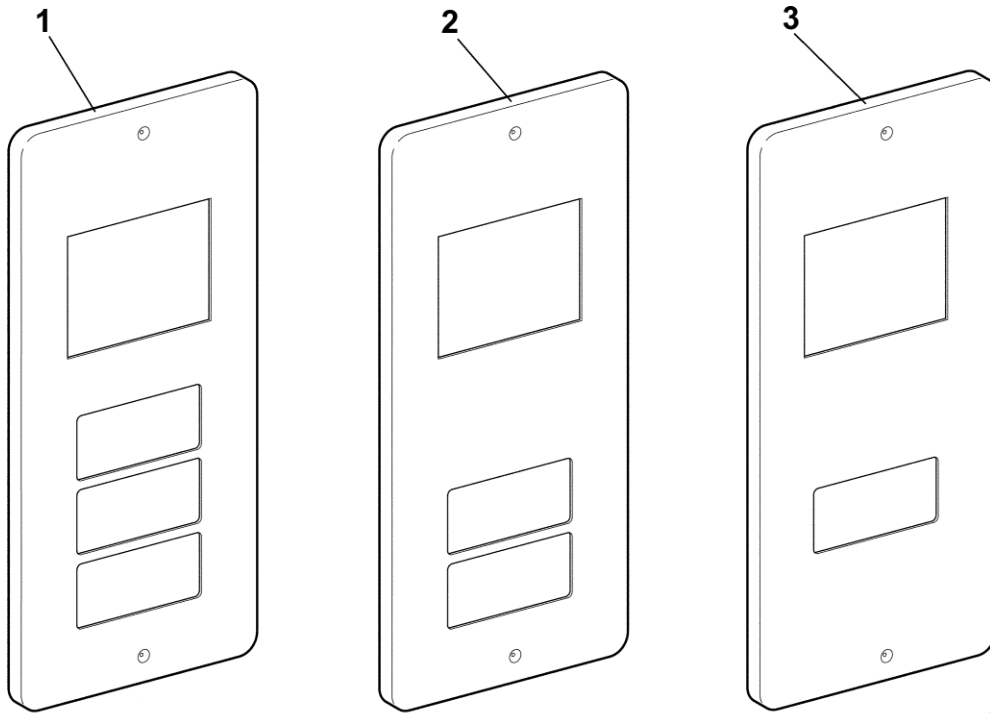


REF. No.	W/O VINTAGE PART No. (see NOTE)	DESCRIPTION
4	AAA147NY23-__	Faceplate, Side-Secured, 1-Fixture Opening, w/o Engraving
5	AAA147NY24-__	Faceplate, Side-Secured, 2-Fixture Opening, w/o Engraving
6	AAA147NY25-__	Faceplate, Side-Secured, 3-Fixture Opening, w/o Engraving
7	AAA147NY26-__	Faceplate, Side-Secured, 5-Fixture Opening, w/o Engraving
8	ISO4027M3X8-45H-Z	Set Screw, Cone Point, M3x8mm
	ISO4027M3X5-45H-Z	Set Screw, Cone Point, M3x5mm, Used w/ Spring Clip
9	AAA330FC1	Spring Clip, See TIP 4.1.0-3 for Use of Spring Clip Fastener

NOTE: Complete the part number identification with the finish designation.
Example: AAA147NX1-MF4.

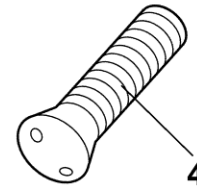
32-AAA147NX

Faceplates with Front Fastenings and Flashing Sign



Material & Finish Options

Stainless Steel	Bronze	Ferritic Steel
Mill 4 = MF4	Brushed = BR7	Mill 4 = FS4
Brushed = SS4	Mirror = BR8	
Mirror = SS8		

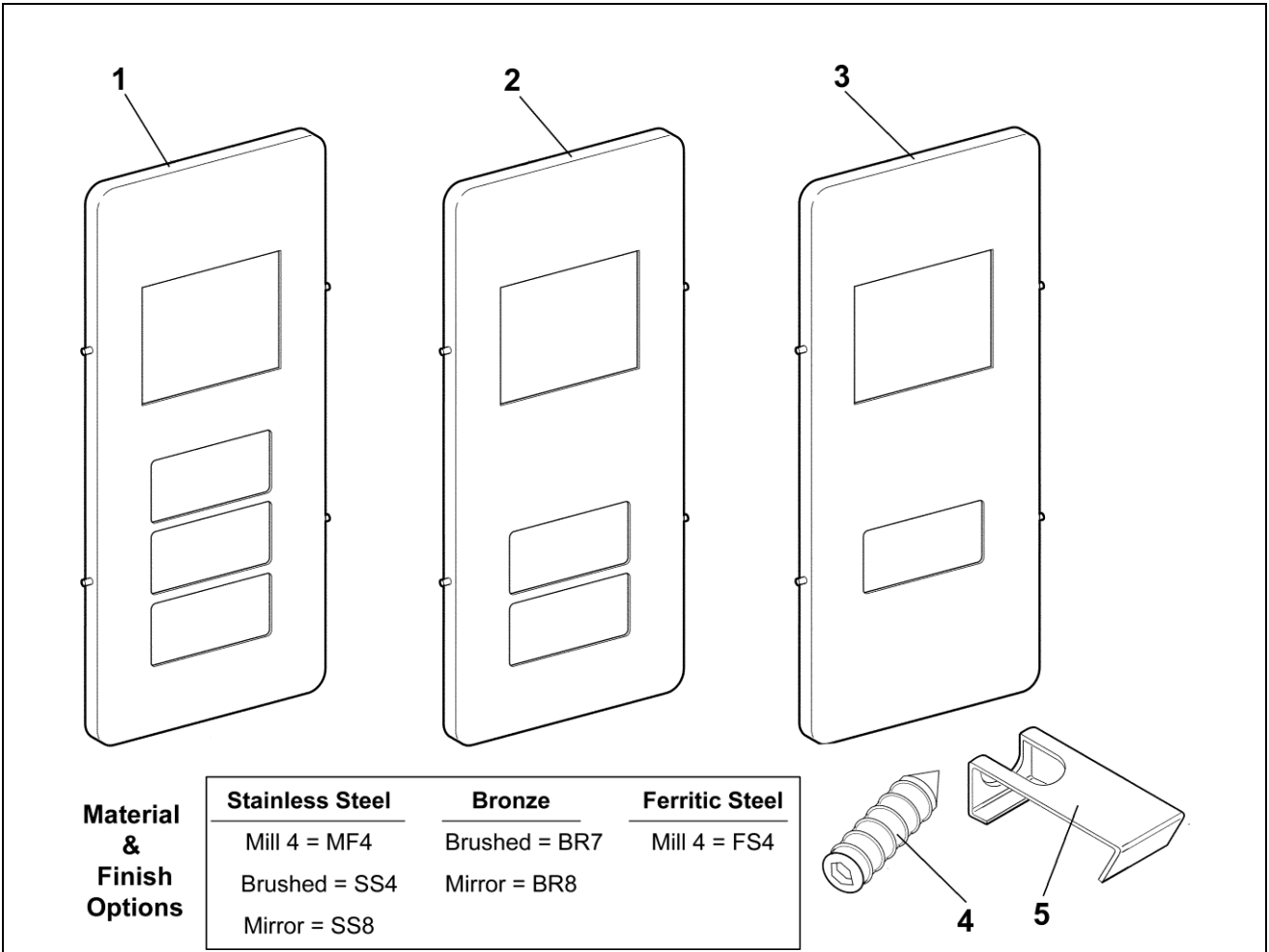


W/O VINTAGE		
REF. No.	PART No. (see NOTE)	DESCRIPTION
1	AAA147NY13-__	Faceplate, Front-Secured, 3-Fixture Opening & Flashing Sign, w/o Engraving
2	AAA147NY14-__	Faceplate, Front-Secured, 2-Fixture Opening & Flashing Sign, w/o Engraving
3	AAA147NY15-__	Faceplate, Front-Secured, 1-Fixture Opening & Flashing Sign, w/o Engraving
4	124DK25	Screw, Spanner Head, Stainless Steel, Used w/ Finish MF4, SS4
	124DK26	Screw, Spanner Head, Stainless Steel, Used w/ Finish BR7
	124DK23	Screw, Spanner Head, Stainless Steel, Used w/ Finish SS8
	124DK24	Screw, Spanner Head, Stainless Steel, Used w/ Finish BR8

NOTE: Complete the part number identification with the finish designation.
Example: AAA147NX1-MF4.

Faceplates with Side Fastenings and Flashing Sign

32-AAA147NX



W/O VINTAGE		
REF. No.	PART No. (see NOTE)	DESCRIPTION
1	AAA147NY16-__	Faceplate, Side-Secured, 3-Fixture Openings & Flashing Sign, w/o Engraving
2	AAA147NY17-__	Faceplate, Side-Secured, 2-Fixture Openings & Flashing Sign, w/o Engraving
3	AAA147NY18-__	Faceplate, Side-Secured, 1-Fixture Opening & Flashing Sign, w/o Engraving
4	ISO4027M3X8-45H-Z	Set Screw, Cone Point, M3x8mm
	ISO4027M3X5-45H-Z	Set Screw, Cone Point, M3x5mm, Used w/ Spring Clip
5	AAA330FC1	Spring Clip, See TIP 4.1.0-3 for Use of Spring Clip Fastener

NOTE: Complete the part number identification with the finish designation.
Example: AAA147NX1-MF4.