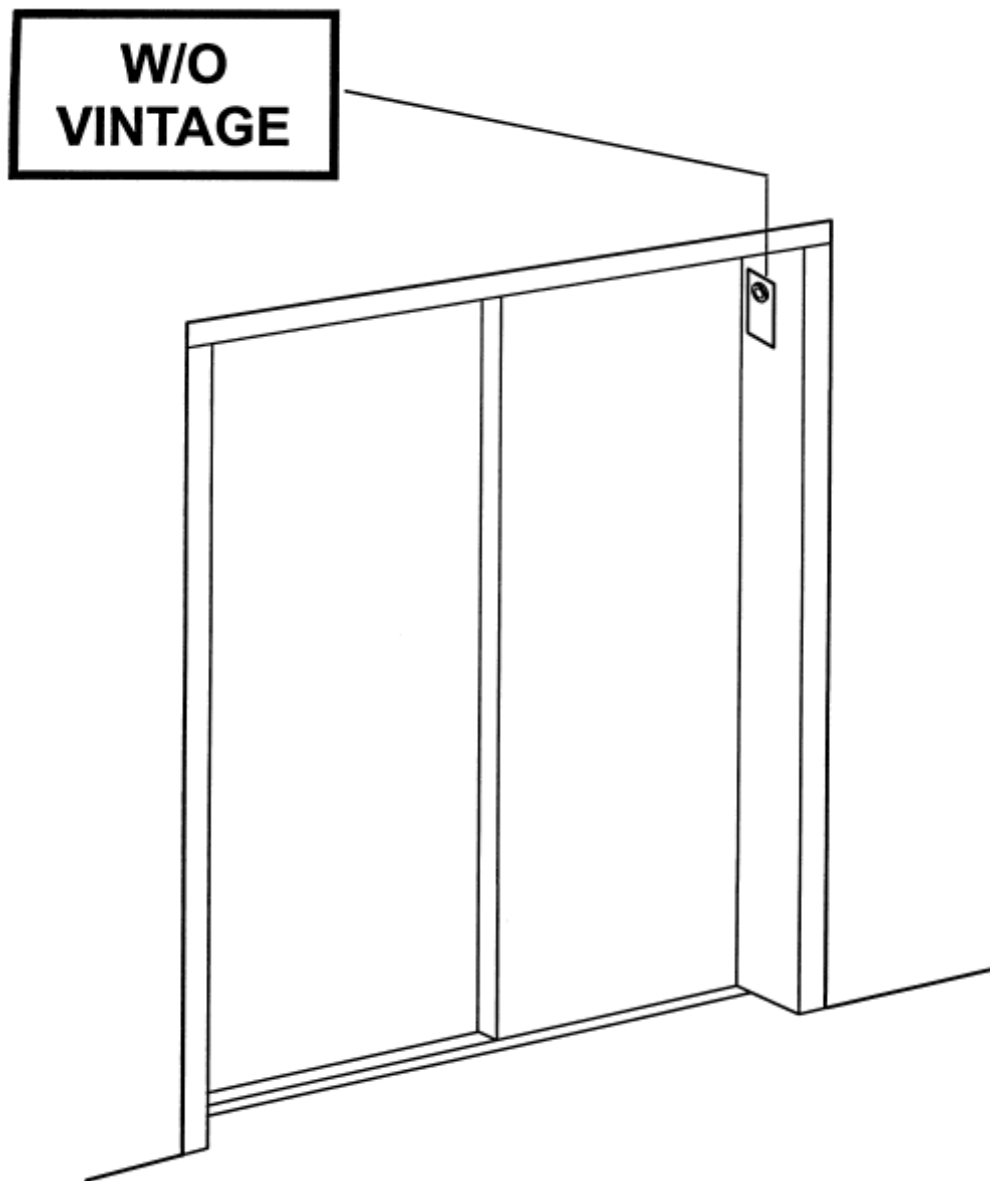


SPL 32-AAA23102A - Jamb Mounted (integral), Access/ses Keyswitch Assembly

Unpublished Work - © Otis Elevator Company. Any unauthorized reproduction, disclosure, or distribution of copies or content by any person of any portion of this work may be a violation of Copyright Law of the United States of America. All rights reserved.

December 1997

Page 1



SPL 32-AAA23102A - Jamb Mounted (integral), Access/ses Keyswitch Assembly

Page 2

REVISED DATE	RESPONSIBLE ENGINEER	PRIMARY REASON FOR REVISION

Leaflet Description

An access and/or special emergency service (S.E.S), phase 1 keyswitch fixture located in the hoistway entrance and mounted to an integral cutout of the striker jamb.

RELATED LEAFLETS	
31-A6410A	Key Operated Contacts
31-340AA	Keyswitch Collars

DRAWING REFERENCES

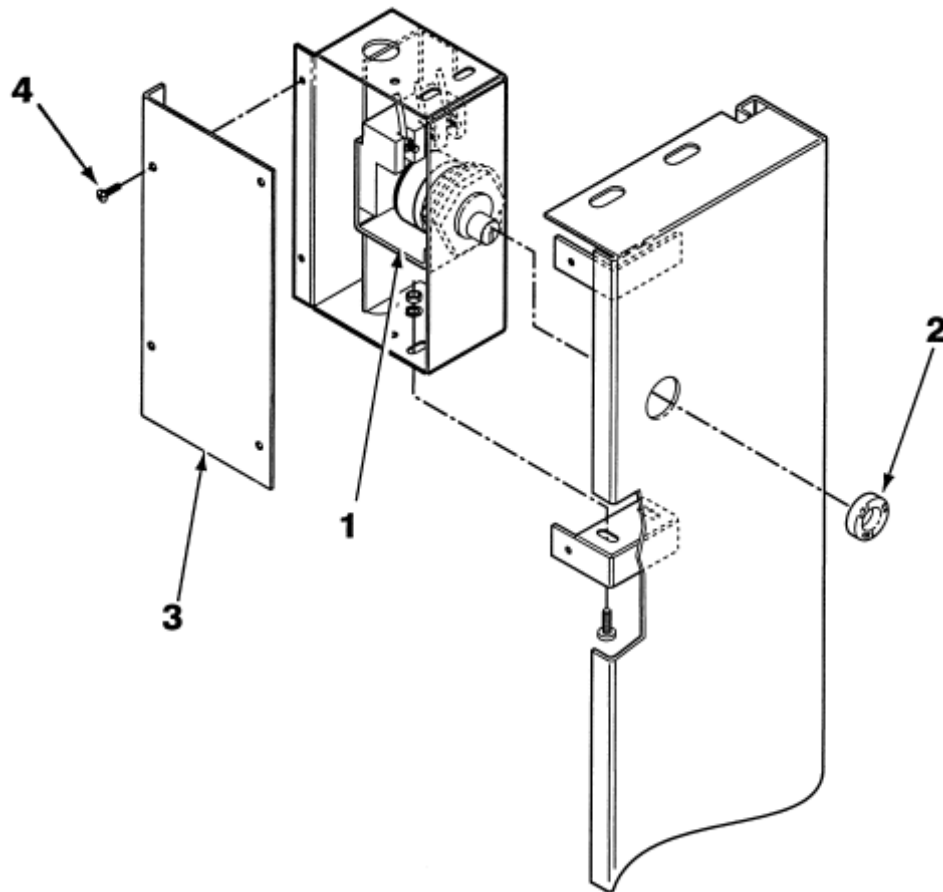
RELATED DOCUMENTS

This Spare Parts Leaflet (SPL) is prepared to assist you in determining the Lowest Replaceable Units (LRU) supported by the Otis Service Center for the standard version of the product titled on the preceding page. The parts are chosen by Otis associates from: Engineering, Field Engineering, Service Engineering, and Manufacturing. We attempt to make part identification as easy as possible. The SPL, however, cannot be all inclusive. Elevator and escalator contracts classified as either "special" or "custom" are not addressed. Alternative sources of information such as: the Contract Folder, Technical Information Publications, Field Education Articles, Construction Letters, etc. may give the information you are after. You live in the real world of maintaining your elevator and escalator contracts. On a daily basis, situations arise regarding parts identification and at times, for some reason, the part you need is not in the SPL. If you think a standard part not listed should be — let us know. We will respond.

Service Engineering

SPL 32-AAA23102A - Jamb Mounted (integral), Access/ses Keyswitch Assembly

Page 3 - Integral Jamb Mounted Keyswitch



REF. No.	W/O VINTAGE PART OR ML	DESCRIPTION
1	6410H1	Keyswitch, Access, See Also SPL 31-A6410A
	6410T3	Keyswitch, SES, Phase 1, ANSI 1987, California, Pennsylvania. See Also SPL 31-A6410A
	6410E12	Keyswitch, SES, Phase 1, Chicago, See Also SPL 31-A6410A
	6410T25	Keyswitch, SES, Phase 1, New York City, See Also SPL 31-A6410A
2	340AA3-_____	Collar, Red, See Also SPL 31-340AA
	BYP-OFF-ON-EMERG	ANSI 1987, California, Pennsylvania
	OFF-ON-FIRE SERV	Chicago
3	AAA346AVW1	Cover, 3.47 in. x 7.97 in. Length
	AAA346AVW2	Cover, 3.47 in. X 13.97 in. Length
4	OBTAIN LOCAL	Screw, Self-Tapping, Flat-Head, No. 6 x ½ in. Length