

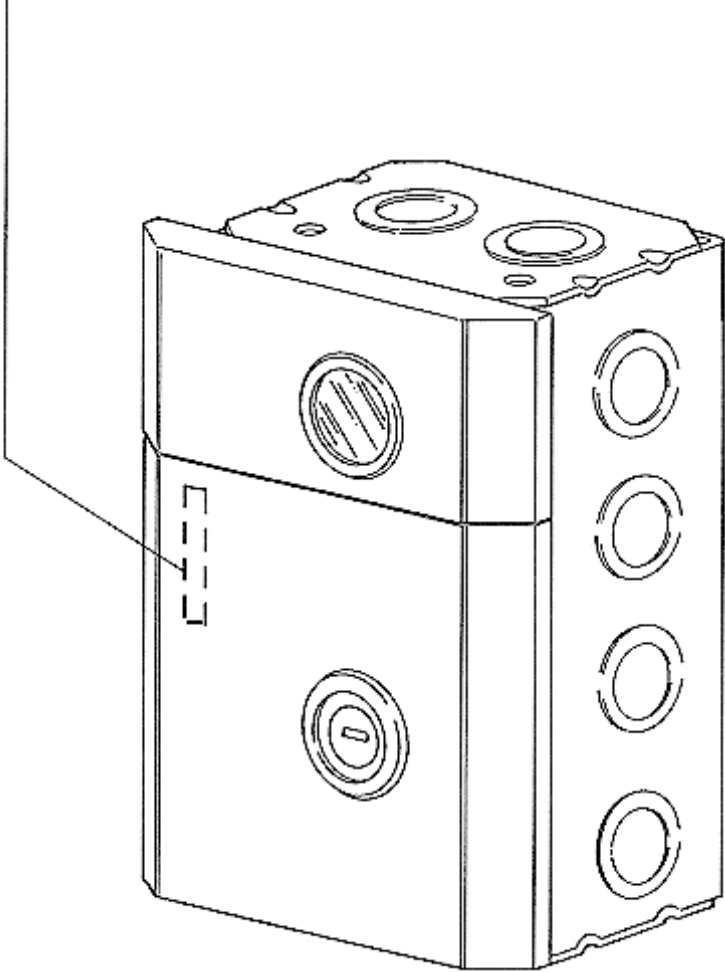
SPL 32-AAA23500AAC - Hall Panel (W/ Motionless Button Assembly)

Unpublished Work - © Otis Elevator Company. Any unauthorized reproduction, disclosure, or distribution of copies or content by any person of any portion of this work may be a violation of Copyright Law of the United States of America. All rights reserved.

January 1997

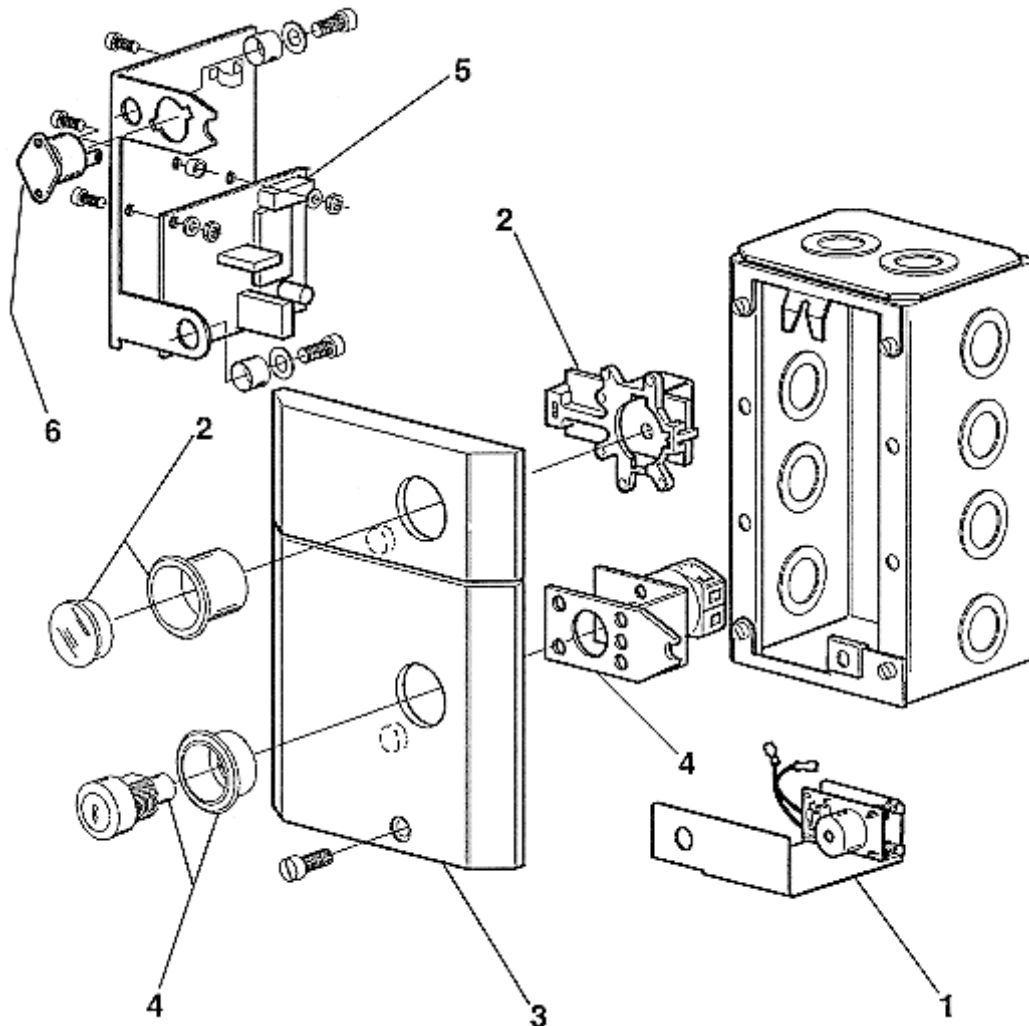
Page 1

32 R-A..23500AAC



SPL 32-AAA23500AAC - Hall Panel (W/ Motionless Button Assembly)

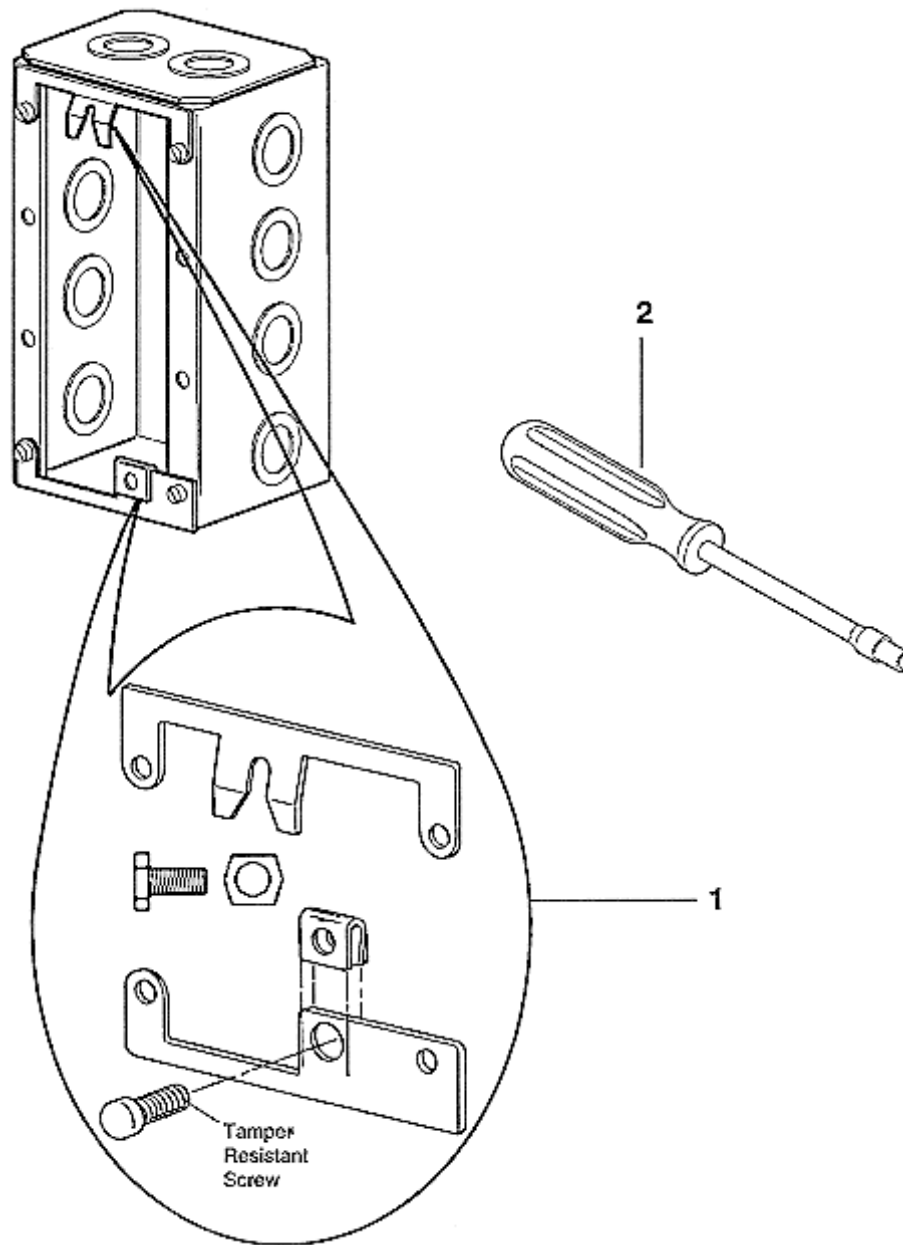
Page 2



REF. No.	AAA23500AAC, AAB23500AAC, ABB23500AAC, ABC23500AAC PART OR ML	DESCRIPTION
1	AAA23500A1	Beeper Assembly (N.A.O., New Jersey State Code Only)
2	TYPEA..23500AAD	Button, Motionless See Also SPL 31-A..23500AAD
3	TYPEA..00147AAC	Faceplate, See Also Pages 4 - 15
4	TYPEA..06410AAA	Keyswitch, See Also SPL 31-A..06410AAA
	TYPEA..6410AA	Keyswitch with Collar, See Also SPL 31-A..06410AAA
5	9693C4	PC Board, Remote Station
	A9693C4	
	GCA23550D1	
6	AAA00177AAD001	Thermal Switch

SPL 32-AAA23500AAC - Hall Panel (W/ Motionless Button Assembly)

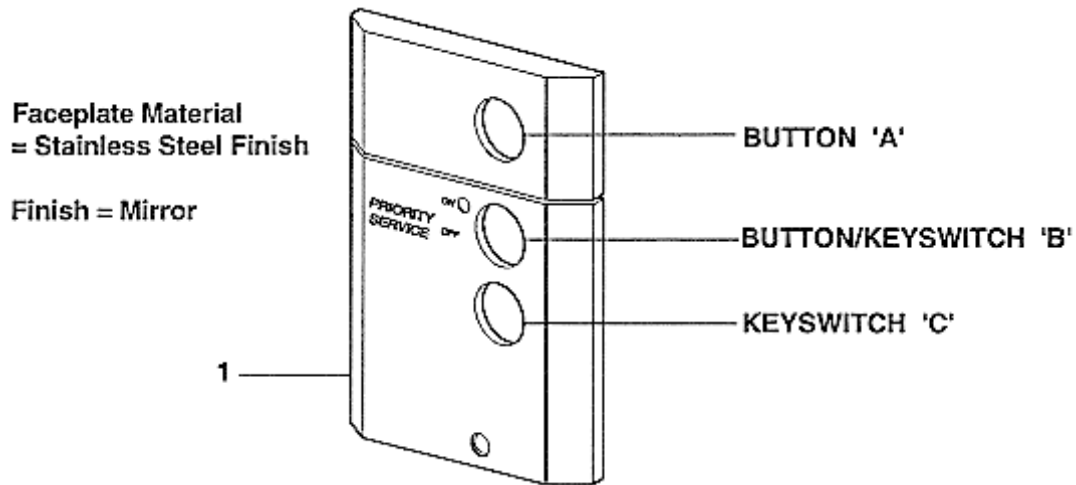
Page 3



REF. No.	AAA23500AAC PART OR ML	DESCRIPTION
1	2700CBG1	Kit: Brackets+ Hardware for fastening + Tamper Screw, Stainless Steel, Mirror Finish
	2700CBG2	Kit: Brackets + Hardware for fastening + Tamper Screw, Stainless Steel, Brushed Finish
	2700CBG3	Kit: Brackets + Hardware for fastening + Tamper Screw, Brass, Mirror Finish
	2700CBG4	Kit: Brackets + Hardware for fastening + Tamper Screw, Brass, Brushed Finish
2	MT-105036	Screwdriver (for type A..00124AAF Tamper Resistant Screw)

SPL 32-AAA23500AAC - Hall Panel (W/ Motionless Button Assembly)

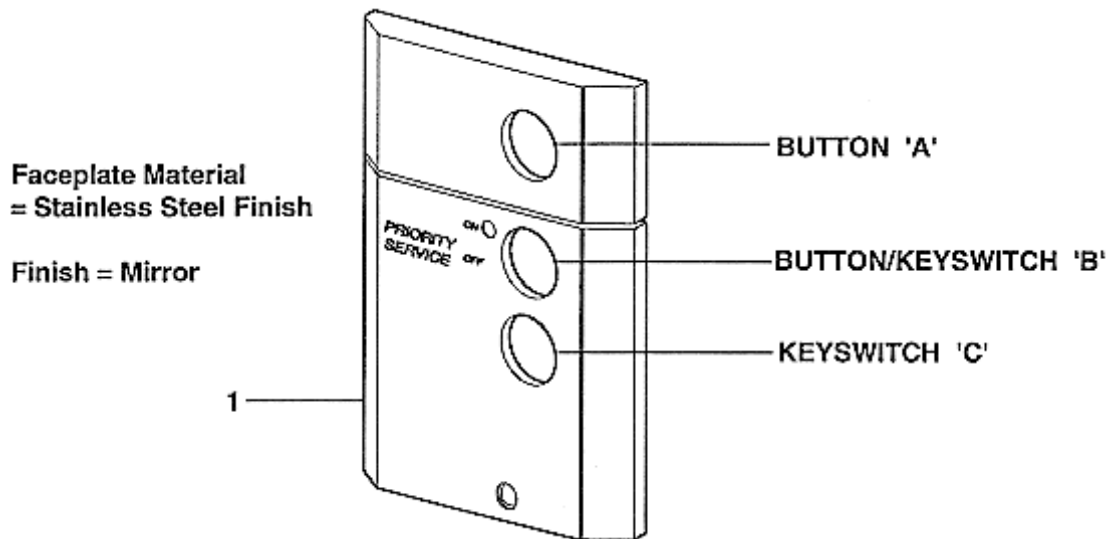
Page 4 - TYPE ACA00147AAC FACEPLATE



REF. No.	PART OR M.L.	FACEPLATE with MARKING		
		BUTTON 'A'	BUTTON/ KEYSWITCH 'B'	KEYSWITCH 'C'
1	ACA00147AAC018	△		
	ACA00147AAC019	▽		
	ACA00147AAC020	△	▽	
	ACA00147AAC021	△		ACCESS [△] OFF ▽
	ACA00147AAC022	△		CAR TO LANDING PARK
	ACA00147AAC023	▽		ACCESS [△] OFF ▽
	ACA00147AAC024	▽		CAR TO LANDING PARK
	ACA00147AAC025		ACCESS [△] OFF ▽	
	ACA00147AAC026		CAR TO LANDING PARK	
	ACA00147AAC027	△		FIRE SERVICE ON OFF BYPASS
	ACA00147AAC028	△		PRIORITY SERVICE ON OFF
	ACA00147AAC029	△		GROUP SECURITY ON OFF
	ACA00147AAC030	▽		FIRE SERVICE ON OFF BYPASS

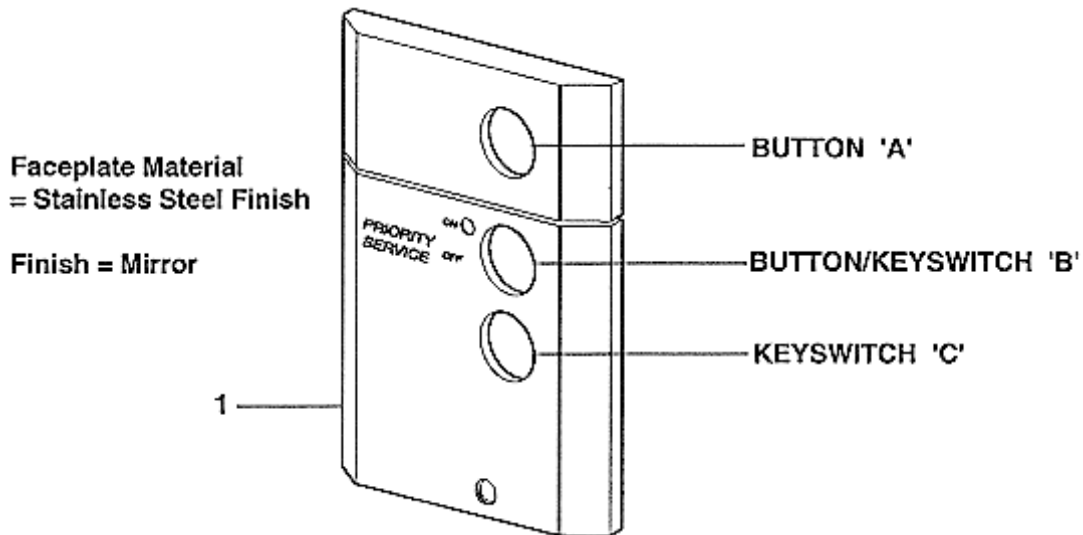
SPL 32-AAA23500AAC - Hall Panel (W/ Motionless Button Assembly)

Page 5



REF. No.	AAA23500AAC	FACEPLATE with MARKING		
	PART OR M.L.	BUTTON 'A'	BUTTON/ KEYSWITCH 'B'	KEYSWITCH 'C'
1	ACA00147AAC031	▽		PRIORITY ON SERVICE OFF
	ACA00147AAC032	▽		GROUP ON SECURITY OFF
	ACA00147AAC033		FIRE SERVICE ON OFF BYPASS	
	ACA00147AAC034		PRIORITY SERVICE ON OFF	
	ACA00147AAC035		GROUP SECURITY ON OFF	
	ACA00147AAC036	△		STANDBY 1 POWER 2
	ACA00147AAC037	▽		STANDBY 1 POWER 2
	ACA00147AAC038		STANDBY 1 POWER 2	
	ACA00147AAC039		ACCESS ON OFF	CAR TO LANDING PARK
	ACA00147AAC040		CAR TO LANDING PARK	FIRE SERVICE ON OFF BYPASS
	ACA00147AAC041		CAR TO LANDING PARK	PRIORITY SERVICE ON OFF
	ACA00147AAC042		CAR TO LANDING PARK	GROUP SECURITY ON OFF

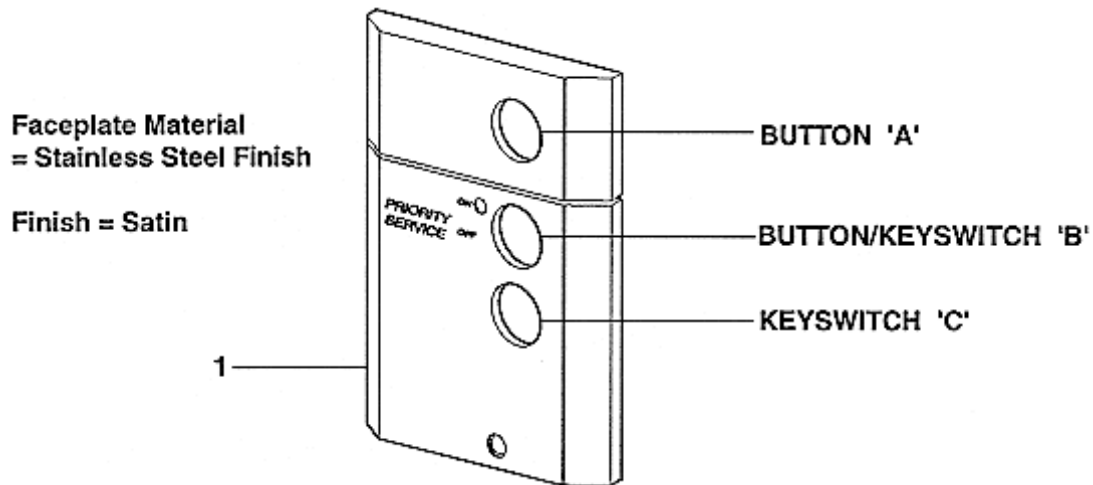
SPL 32-AAA23500AAC - Hall Panel (W/ Motionless Button Assembly)



AAA23500AAC		FACEPLATE with MARKING			
REF. No.	PART OR M.L.	BUTTON 'A'	BUTTON/ KEYSWITCH 'B'	KEYSWITCH 'C'	
	ACA00147AAC043		ACCESS Δ OFF ∇	FIRE SERVICE	ON OFF BYPASS
	ACA00147AAC044		ACCESS Δ OFF ∇	PRIORITY SERVICE	ON OFF
	ACA00147AAC045		ACCESS Δ OFF ∇	GROUP SECURITY	ON OFF
	ACA00147AAC046		ACCESS Δ OFF ∇	STANDBY POWER	1 2
	ACA00147AAC047		CAR TO LANDING PARK	STANDBY POWER	1 2
	ACA00147AAC048		PRIORITY SERVICE ON OFF	FIRE SERVICE	ON OFF BYPASS
	ACA00147AAC049		FIRE SERVICE ON OFF BYPASS	GROUP SECURITY	ON OFF
	ACA00147AAC050		PRIORITY SERVICE ON OFF	GROUP SECURITY	ON OFF
	ACA00147AAC051		FIRE SERVICE ON OFF BYPASS	STANDBY POWER	1 2
	ACA00147AAC052		PRIORITY SERVICE ON OFF	STANDBY POWER	1 2
	ACA00147AAC053		GROUP SECURITY ON OFF	STANDBY POWER	1 2

SPL 32-AAA23500AAC - Hall Panel (W/ Motionless Button Assembly)

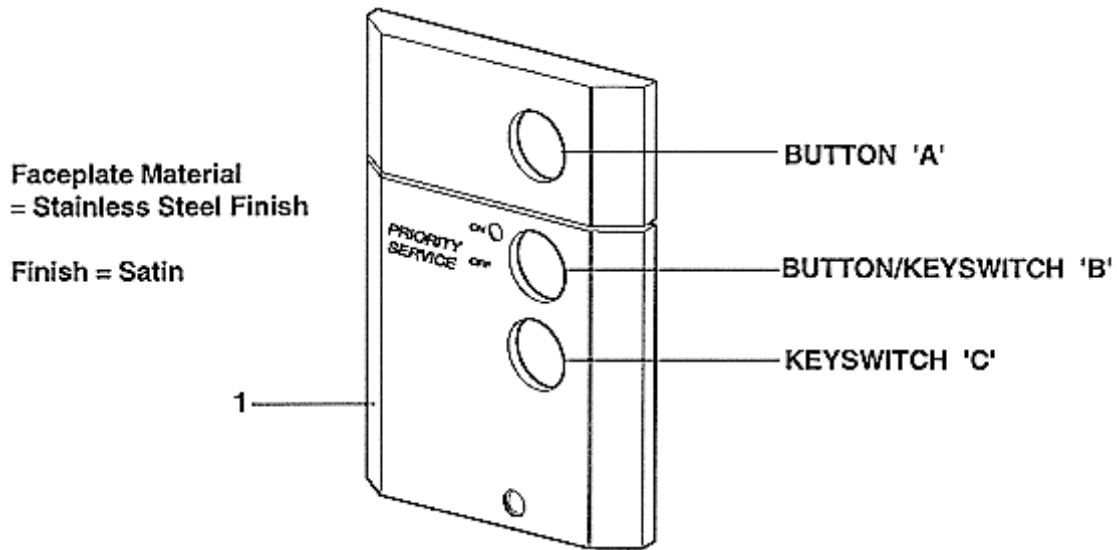
Page 7



REF. No.	AAA23500AAC PART OR M.L.	FACEPLATE with MARKING		
		BUTTON 'A'	BUTTON/ KEYSWITCH 'B'	KEYSWITCH 'C'
1	ACA00147AAC054	△		
	ACA00147AAC055	▽		
	ACA00147AAC056	△	▽	
	ACA00147AAC057	△		ACCESS [△] OFF _▽
	ACA00147AAC058	△		CAR TO LANDING PARK
	ACA00147AAC059	▽		ACCESS [△] OFF _▽
	ACA00147AAC060	▽		CAR TO LANDING PARK
	ACA00147AAC061		ACCESS [△] OFF _▽	
	ACA00147AAC062		CAR TO LANDING PARK	
	ACA00147AAC063	△		FIRE SERVICE ON OFF BYPASS
	ACA00147AAC064	△		PRIORITY SERVICE ON OFF
	ACA00147AAC065	△		GROUP SECURITY ON OFF
	ACA00147AAC066	▽		FIRE SERVICE ON OFF BYPASS

SPL 32-AAA23500AAC - Hall Panel (W/ Motionless Button Assembly)

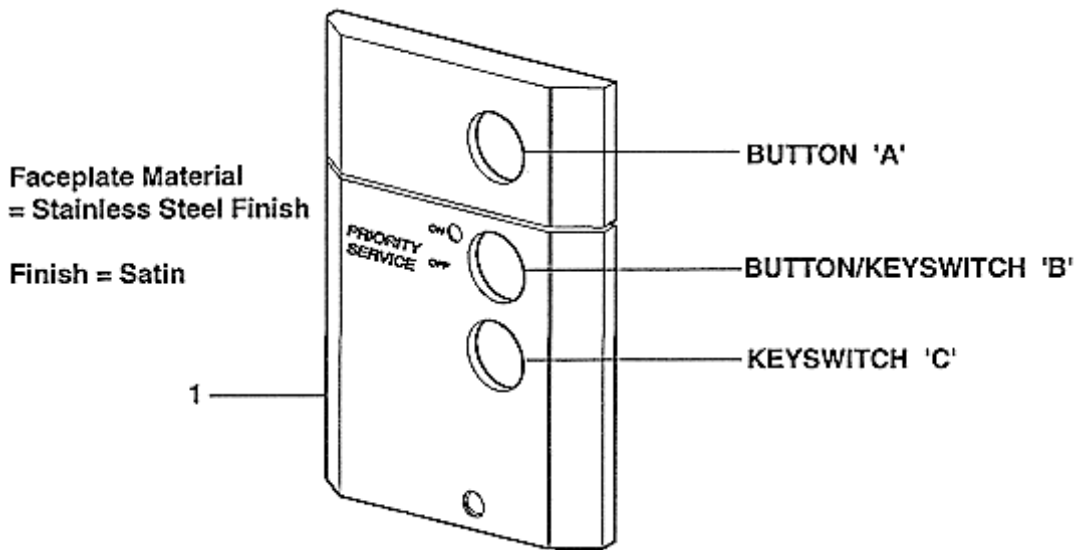
Page 8



AAA23500AAC		FACEPLATE with MARKING		
REF. No.	PART OR M.L.	BUTTON 'A'	BUTTON/ KEYSWITCH 'B'	KEYSWITCH 'C'
1	ACA00147AAC067	▽		PRIORITY ON SERVICE OFF
	ACA00147AAC068	▽		GROUP ON SECURITY OFF
	ACA00147AAC069		FIRE SERVICE ON OFF BYPASS	
	ACA00147AAC070		PRIORITY ON SERVICE OFF	
	ACA00147AAC071		GROUP ON SECURITY OFF	
	ACA00147AAC072	△		STANDBY 1 POWER 2
	ACA00147AAC073	▽		STANDBY 1 POWER 2
	ACA00147AAC074		STANDBY 1 POWER 2	
	ACA00147AAC075		ACCESS ▲ OFF ▼	CAR TO LANDING PARK
	ACA00147AAC076		CAR TO LANDING PARK	FIRE SERVICE ON OFF BYPASS
	ACA00147AAC077		CAR TO LANDING PARK	PRIORITY ON SERVICE OFF
	ACA00147AAC078		CAR TO LANDING PARK	GROUP ON SECURITY OFF

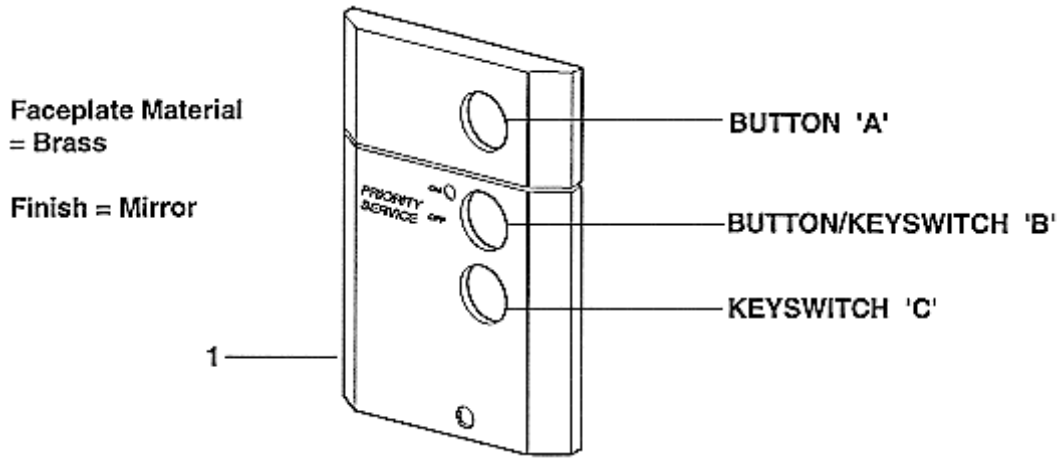
SPL 32-AAA23500AAC - Hall Panel (W/ Motionless Button Assembly)

Page 9



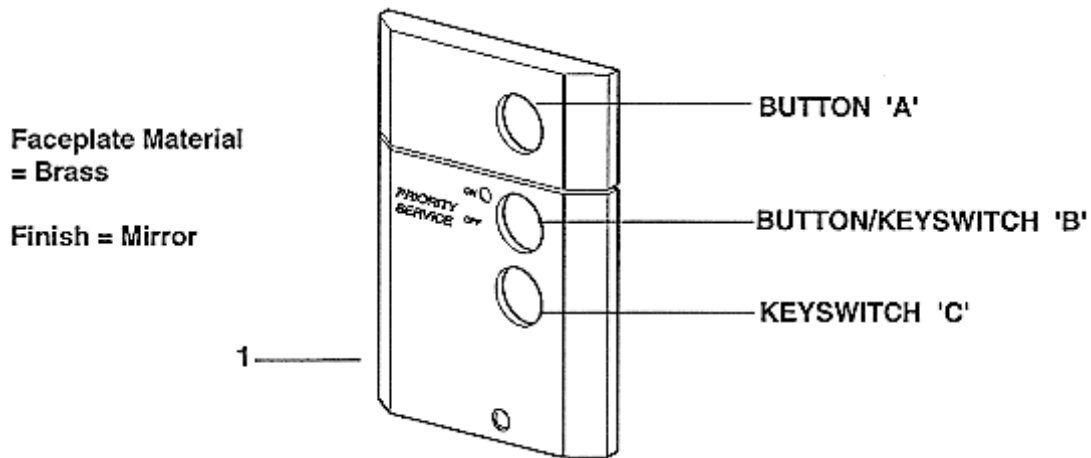
REF. No.	PART OR M.L.	FACEPLATE with MARKING			
		BUTTON 'A'	BUTTON/ KEYSWITCH 'B'	KEYSWITCH 'C'	
	AAA23500AAC				
	ACA00147AAC079		ACCESS Δ OFF ∇	FIRE SERVICE ON OFF BYPASS	
	ACA00147AAC080		ACCESS Δ OFF ∇	PRIORITY SERVICE ON OFF	
	ACA00147AAC081		ACCESS Δ OFF ∇	GROUP SECURITY ON OFF	
	ACA00147AAC082		ACCESS Δ OFF ∇	STANDBY POWER 1 2	
	ACA00147AAC083		CAR TO LANDING PARK	STANDBY POWER 1 2	
	ACA00147AAC084		PRIORITY SERVICE ON OFF	FIRE SERVICE ON OFF BYPASS	
	ACA00147AAC085		FIRE SERVICE ON OFF BYPASS	GROUP SECURITY ON OFF	
	ACA00147AAC086		PRIORITY SERVICE ON OFF	GROUP SECURITY ON OFF	
	ACA00147AAC087		FIRE SERVICE ON OFF BYPASS	STANDBY POWER 1 2	
	ACA00147AAC088		PRIORITY SERVICE ON OFF	STANDBY POWER 1 2	
	ACA00147AAC089		GROUP SECURITY ON OFF	STANDBY POWER 1 2	

SPL 32-AAA23500AAC - Hall Panel (W/ Motionless Button Assembly)



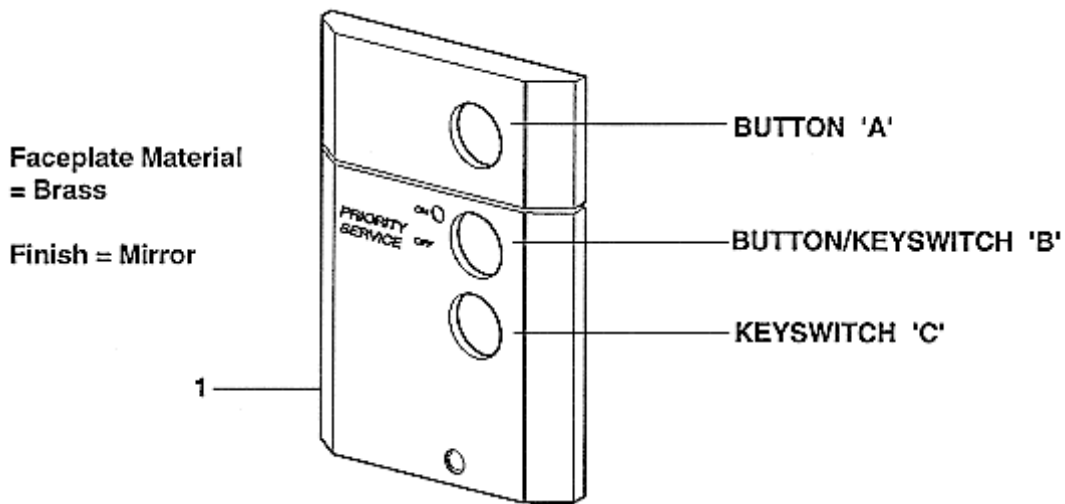
REF. No.	PART OR M.L.	FACEPLATE with MARKING		
		BUTTON 'A'	BUTTON/ KEYSWITCH 'B'	KEYSWITCH 'C'
1	ACA00147AAC090	△		
	ACA00147AAC091	▽		
	ACA00147AAC092	△	▽	
	ACA00147AAC093	△		ACCESS [△] OFF _▽
	ACA00147AAC094	△		CAR TO LANDING PARK
	ACA00147AAC095	▽		ACCESS [△] OFF _▽
	ACA00147AAC096	▽		CAR TO LANDING PARK
	ACA00147AAC097		ACCESS [△] OFF _▽	
	ACA00147AAC098		CAR TO LANDING PARK	
	ACA00147AAC099			FIRE SERVICE ON OFF BYPASS
	ACA00147AAC100	△		PRIORITY SERVICE ON OFF
	ACA00147AAC101	△		GROUP SECURITY ON OFF
	ACA00147AAC102	▽		FIRE SERVICE ON OFF BYPASS

SPL 32-AAA23500AAC - Hall Panel (W/ Motionless Button Assembly)



REF. No.	AAA23500AAC PART OR M.L.	FACEPLATE with MARKING		
		BUTTON 'A'	BUTTON/ KEYSWITCH 'B'	KEYSWITCH 'C'
1	ACA00147AAC103	▽		PRIORITY ON SERVICE OFF
	ACA00147AAC104	▽		GROUP ON SECURITY OFF
	ACA00147AAC105		FIRE SERVICE ON OFF BYPASS	
	ACA00147AAC106		PRIORITY ON SERVICE OFF	
	ACA00147AAC107		GROUP ON SECURITY OFF	
	ACA00147AAC108	△		STANDBY 1 POWER 2
	ACA00147AAC109	▽		STANDBY 1 POWER 2
	ACA00147AAC110		STANDBY 1 POWER 2	
	ACA00147AAC111		ACCESS ON OFF	CAR TO LANDING PARK
	ACA00147AAC112		CAR TO LANDING PARK	FIRE SERVICE ON OFF BYPASS
	ACA00147AAC113		CAR TO LANDING PARK	PRIORITY ON SERVICE OFF
	ACA00147AAC114		CAR TO LANDING PARK	GROUP ON SECURITY OFF

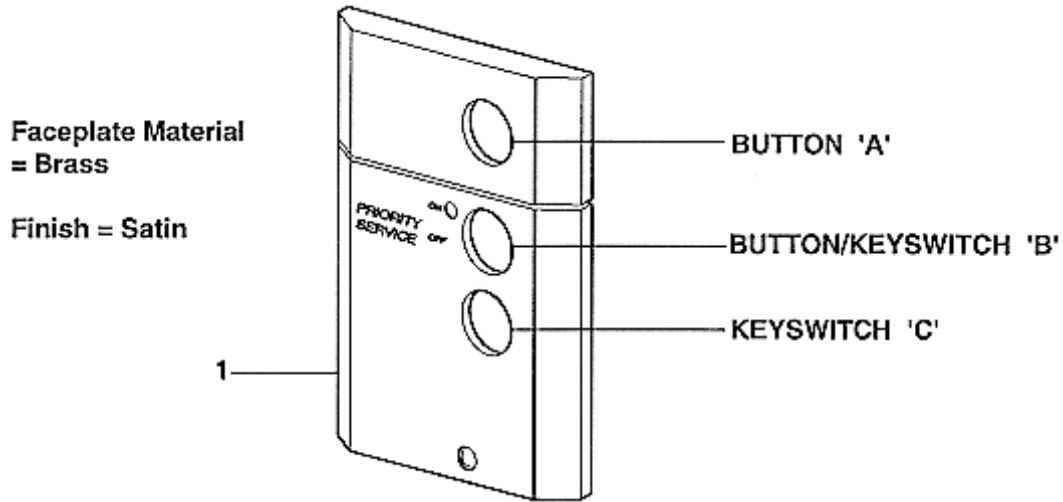
SPL 32-AAA23500AAC - Hall Panel (W/ Motionless Button Assembly)



REF. No.	AAA23500AAC	FACEPLATE with MARKING			
	PART OR M.L.	BUTTON 'A'	BUTTON/ KEYSWITCH 'B'	KEYSWITCH 'C'	
	ACA00147AAC115		ACCESS ON OFF ▽	FIRE SERVICE	ON OFF BYPASS
	ACA00147AAC116		ACCESS ON OFF ▽	PRIORITY SERVICE	ON OFF
	ACA00147AAC117		ACCESS ON OFF ▽	GROUP SECURITY	ON OFF
	ACA00147AAC118		ACCESS ON OFF ▽	STANDBY POWER	1 2
	ACA00147AAC119		CAR TO LANDING PARK	STANDBY POWER	1 2
	ACA00147AAC120		PRIORITY SERVICE ON OFF	FIRE SERVICE	ON OFF BYPASS
	ACA00147AAC121		FIRE SERVICE ON OFF BYPASS	GROUP SECURITY	ON OFF
	ACA00147AAC122		PRIORITY SERVICE ON OFF	GROUP SECURITY	ON OFF
	ACA00147AAC123		FIRE SERVICE ON OFF BYPASS	STANDBY POWER	1 2
	ACA00147AAC124		PRIORITY SERVICE ON OFF	STANDBY POWER	1 2
	ACA00147AAC125		GROUP SECURITY ON OFF	STANDBY POWER	1 2

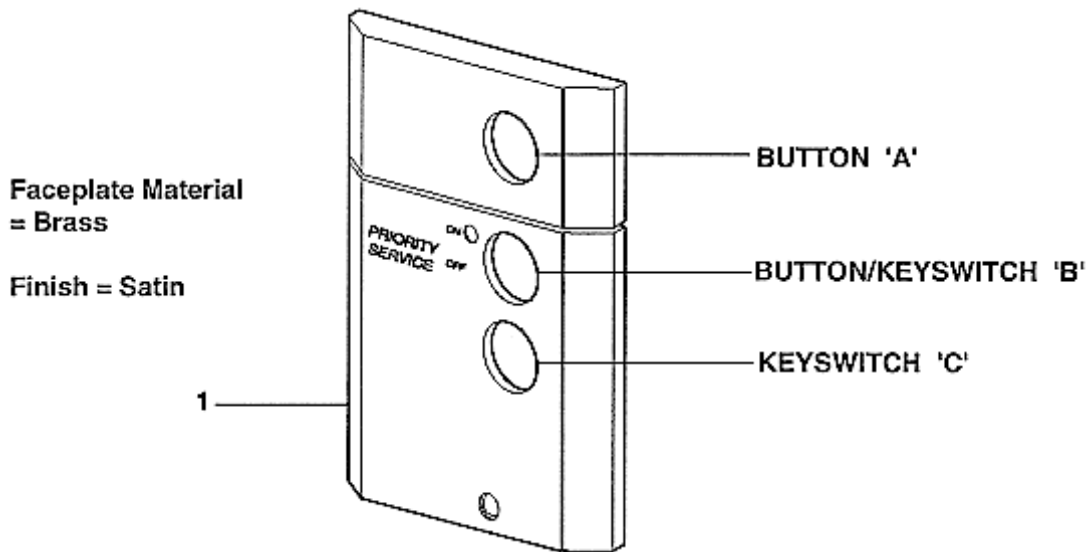
SPL 32-AAA23500AAC - Hall Panel (W/ Motionless Button Assembly)

Page 13



REF. No.	AAA23500AAC	FACEPLATE with MARKING		
	PART OR M.L.	BUTTON 'A'	BUTTON/ KEYSWITCH 'B'	KEYSWITCH 'C'
1	ACA00147AAC126	△		
	ACA00147AAC127	▽		
	ACA00147AAC128	△	▽	
	ACA00147AAC129	△		ACCESS [△] OFF _▽
	ACA00147AAC130	△		CAR TO LANDING PARK
	ACA00147AAC131	▽		ACCESS [△] OFF _▽
	ACA00147AAC132	▽		CAR TO LANDING PARK
	ACA00147AAC133		ACCESS [△] OFF _▽	
	ACA00147AAC134		CAR TO LANDING PARK	
	ACA00147AAC135	△		FIRE SERVICE ON OFF BYPASS
	ACA00147AAC136	△		PRIORITY SERVICE ON OFF
	ACA00147AAC137	△		GROUP SECURITY ON OFF
	ACA00147AAC138	▽		FIRE SERVICE ON OFF BYPASS

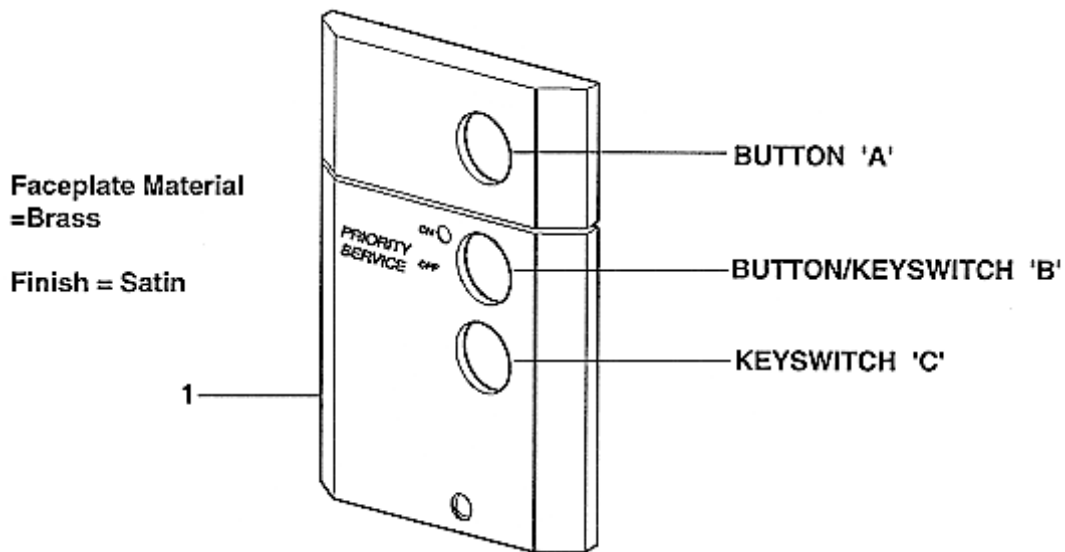
SPL 32-AAA23500AAC - Hall Panel (W/ Motionless Button Assembly)



REF. No.	AAA23500AAC PART OR M.L.	FACEPLATE with MARKING		
		BUTTON 'A'	BUTTON/ KEYSWITCH 'B'	KEYSWITCH 'C'
1	ACA00147AAC139	▽		PRIORITY ON SERVICE OFF
	ACA00147AAC140	▽		GROUP ON SECURITY OFF
	ACA00147AAC141		FIRE SERVICE ON OFF BYPASS	
	ACA00147AAC142		PRIORITY SERVICE ON OFF	
	ACA00147AAC143		GROUP SECURITY ON OFF	
	ACA00147AAC144	△		STANDBY 1 POWER 2
	ACA00147AAC145	▽		STANDBY 1 POWER 2
	ACA00147AAC146		STANDBY 1 POWER 2	
	ACA00147AAC147		ACCESS ON OFF	CAR TO LANDING PARK
	ACA00147AAC148		CAR TO LANDING PARK	FIRE SERVICE ON OFF BYPASS
	ACA00147AAC149		CAR TO LANDING PARK	PRIORITY SERVICE ON OFF
	ACA00147AAC150		CAR TO LANDING PARK	GROUP SECURITY ON OFF

SPL 32-AAA23500AAC - Hall Panel (W/ Motionless Button Assembly)

Page 15



REF. No.	PART OR M.L.	AAA23500AAC			
		FACEPLATE with MARKING			
		BUTTON 'A'	BUTTON/ KEYSWITCH 'B'	KEYSWITCH 'C'	
	ACA00147AAC151		ACCESS $\begin{matrix} \Delta \\ \text{OFF} \\ \nabla \end{matrix}$	FIRE SERVICE	$\begin{matrix} \text{ON} \\ \text{OFF} \\ \text{BYPASS} \end{matrix}$
	ACA00147AAC152		ACCESS $\begin{matrix} \Delta \\ \text{OFF} \\ \nabla \end{matrix}$	PRIORITY SERVICE	$\begin{matrix} \text{ON} \\ \text{OFF} \end{matrix}$
	ACA00147AAC153		ACCESS $\begin{matrix} \Delta \\ \text{OFF} \\ \nabla \end{matrix}$	GROUP SECURITY	$\begin{matrix} \text{ON} \\ \text{OFF} \end{matrix}$
	ACA00147AAC154		ACCESS $\begin{matrix} \Delta \\ \text{OFF} \\ \nabla \end{matrix}$	STANDBY POWER	$\begin{matrix} 1 \\ 2 \end{matrix}$
	ACA00147AAC155		CAR TO LANDING PARK	STANDBY POWER	$\begin{matrix} 1 \\ 2 \end{matrix}$
	ACA00147AAC156		PRIORITY SERVICE $\begin{matrix} \text{ON} \\ \text{OFF} \end{matrix}$	FIRE SERVICE	$\begin{matrix} \text{ON} \\ \text{OFF} \\ \text{BYPASS} \end{matrix}$
	ACA00147AAC157		FIRE SERVICE $\begin{matrix} \text{ON} \\ \text{OFF} \\ \text{BYPASS} \end{matrix}$	GROUP SECURITY	$\begin{matrix} \text{ON} \\ \text{OFF} \end{matrix}$
	ACA00147AAC158		PRIORITY SERVICE $\begin{matrix} \text{ON} \\ \text{OFF} \end{matrix}$	GROUP SECURITY	$\begin{matrix} \text{ON} \\ \text{OFF} \end{matrix}$
	ACA00147AAC159		FIRE SERVICE $\begin{matrix} \text{ON} \\ \text{OFF} \\ \text{BYPASS} \end{matrix}$	STANDBY POWER	$\begin{matrix} 1 \\ 2 \end{matrix}$
	ACA00147AAC160		PRIORITY SERVICE $\begin{matrix} \text{ON} \\ \text{OFF} \end{matrix}$	STANDBY POWER	$\begin{matrix} 1 \\ 2 \end{matrix}$
	ACA00147AAC161		GROUP SECURITY $\begin{matrix} \text{ON} \\ \text{OFF} \end{matrix}$	STANDBY POWER	$\begin{matrix} 1 \\ 2 \end{matrix}$