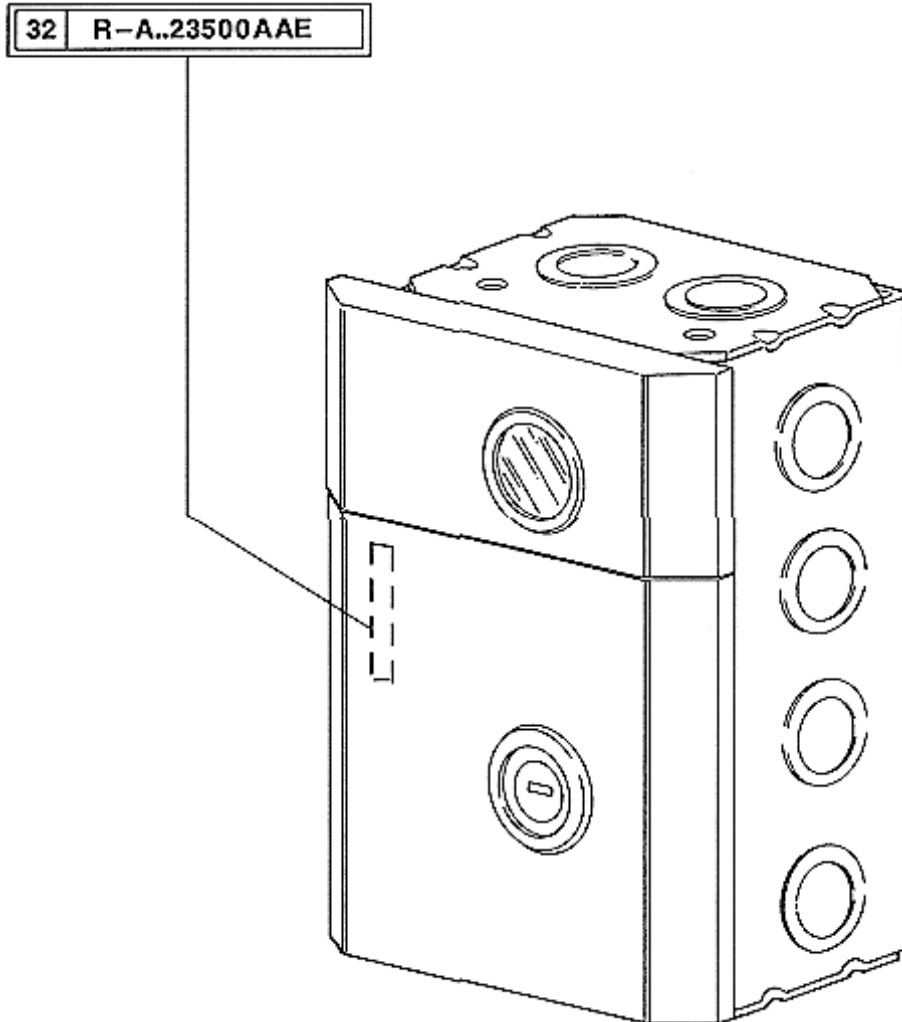


SPL 32-AAA23500AAE - Elevonic 411, Hall Panel, (W/ Micro-motion Button Assembly)

Unpublished Work - © Otis Elevator Company. Any unauthorized reproduction, disclosure, or distribution of copies or content by any person of any portion of this work may be a violation of Copyright Law of the United States of America. All rights reserved.

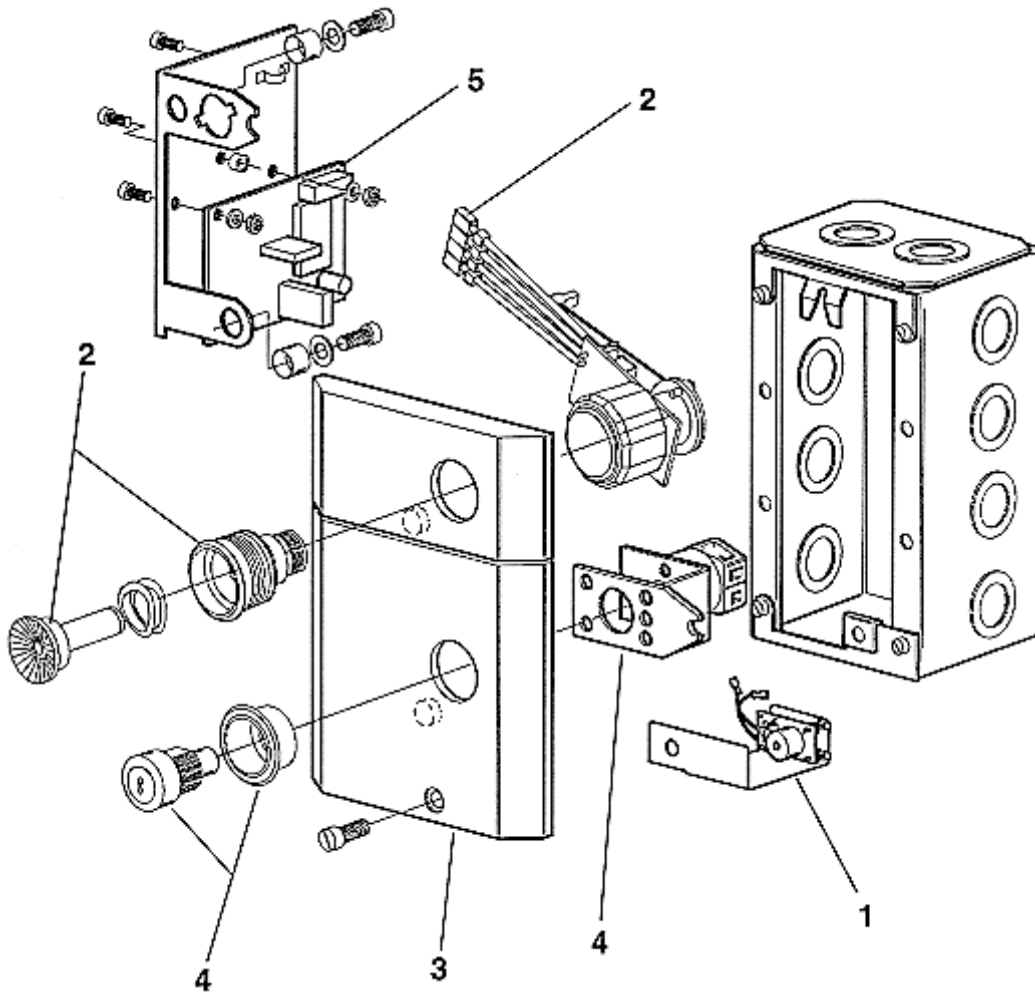
January 1997

Page 1

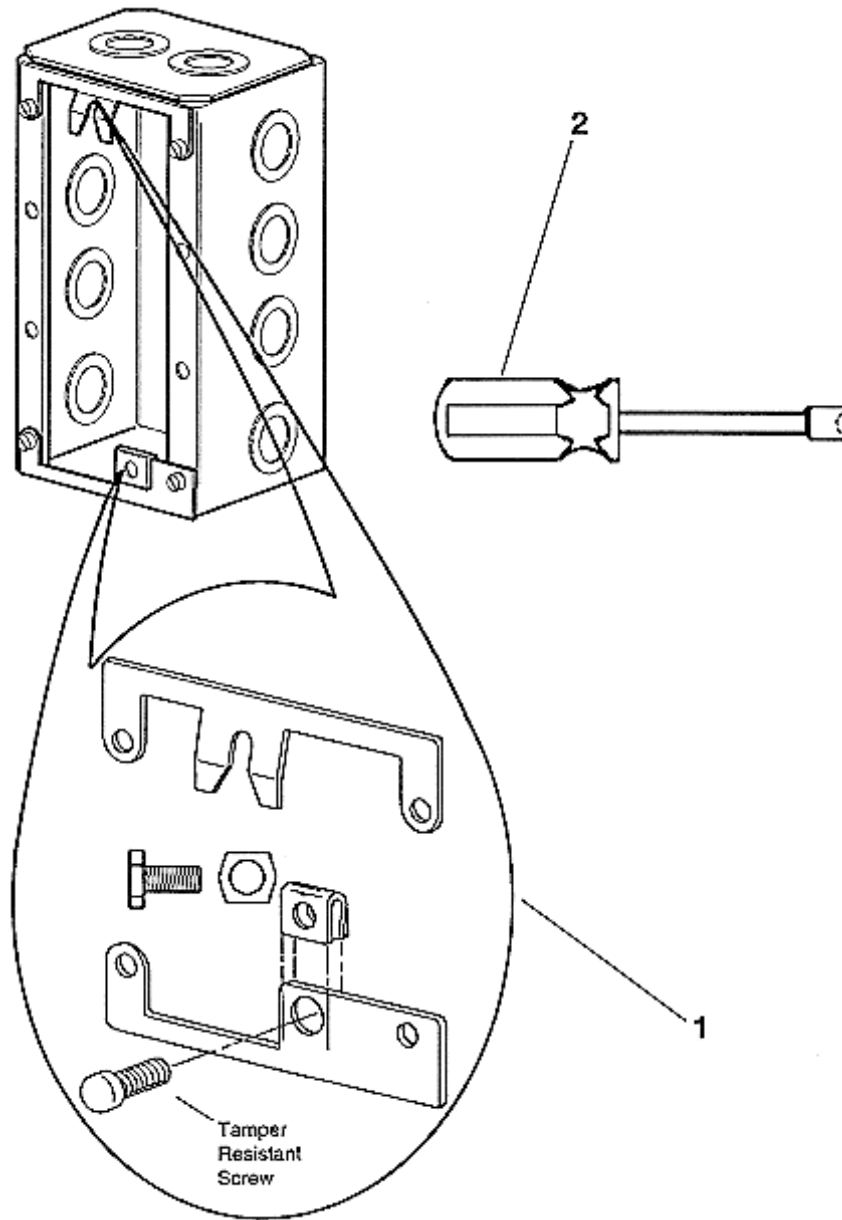


SPL 32-AAA23500AAE - Elevonic 411, Hall Panel, (W/ Micro-motion Button Assembly)

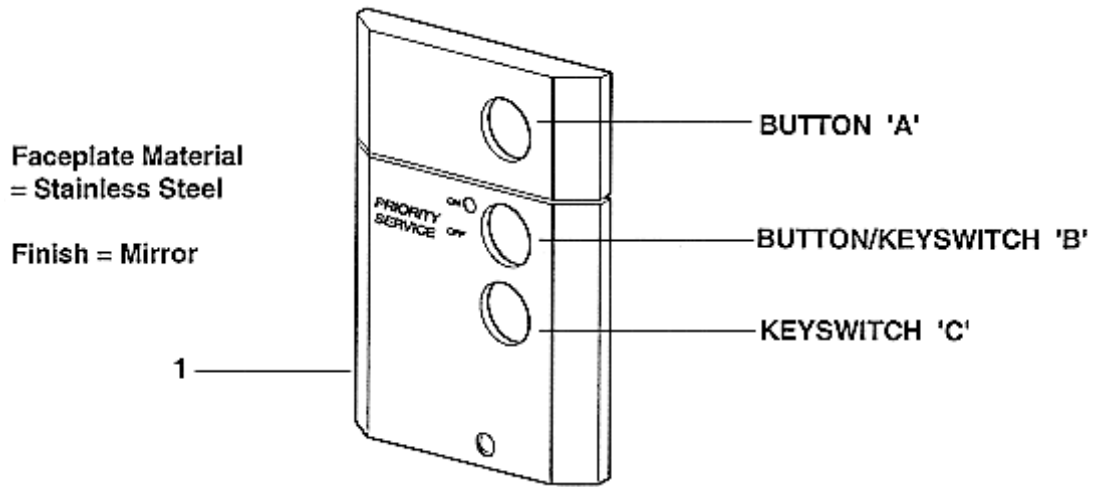
Page 2



REF. No.	AAA23500AAE, AAB23500AAE, AAC23500AAE, ABA23500AAE, ABB23500AAE, ABC23500AAE	DESCRIPTION
	PART OR ML	
1	AAA23500A1	Beeper Assembly (NAO, New Jersey State Code Only)
2	TYPE A..23500AAF	Button, Micro-Motion See Also SPL 31-A..23500AAF
3	TYPE A..00147AAC	Faceplate, See Also Pages 4 - 15
4	TYPE A..06410AAA	Keyswitch, See Also SPL 32-A..06410AAA
	TYPE A..6410AA	Keyswitch with Collar, See Also SPL 32-A..06410AAA
5	9693C4	PC Board, Remote Station
	A9693C4	
	GCA23550D1	

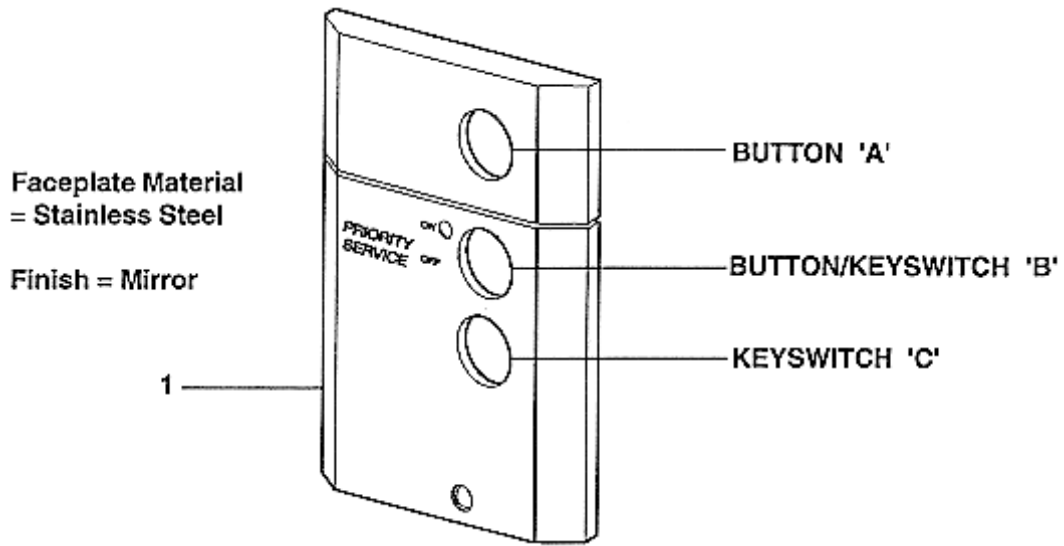


AAA23500AAE		
REF. No.	PART OR ML	DESCRIPTION
1	2700CBG1	Kit: Brackets + Hardware for fastening + Tamper Screw, Stainless Steel, Mirror Finish
	2700CBG2	Kit: Brackets + Hardware for fastening + Tamper Screw, Stainless Steel, Brushed Finish
	2700CBG3	Kit: Brackets + Hardware for fastening + Tamper Screw, Brass, Mirror Finish
	2700CBG4	Kit: Brackets + Hardware for fastening + Tamper Screw, Brass, Brushed Finish
2	MT-105036	Screwdriver (for type A..00124AAF Tamper Resistant Screw)

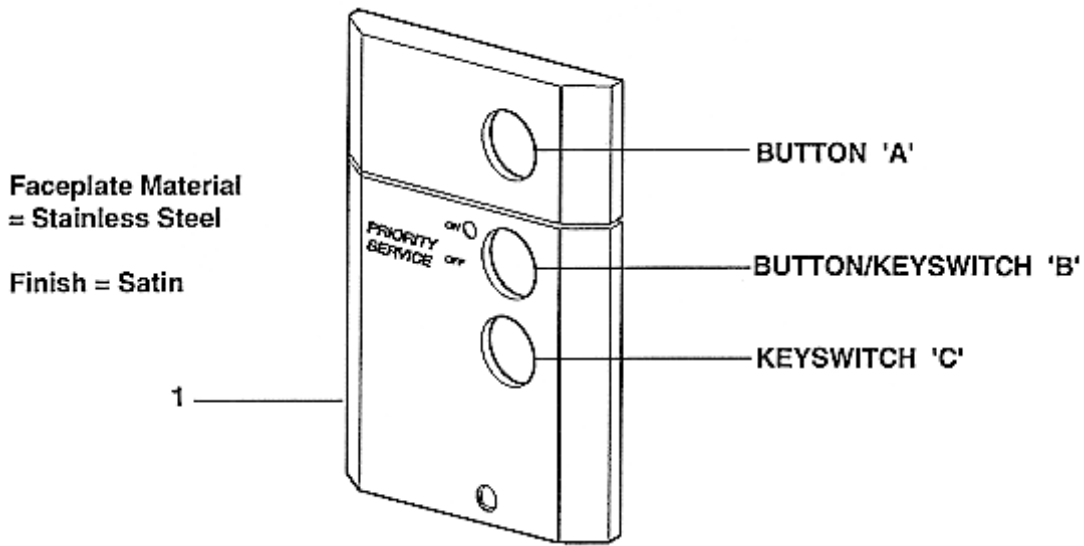


AAA23500AAE		FACEPLATE with MARKING		
REF. No.	PART OR M.L.	BUTTON 'A'	BUTTON/ KEYSWITCH 'B'	KEYSWITCH 'C'
1	ACA00147AAC031	▽		PRIORITY ON SERVICE OFF
	ACA00147AAC032	▽		GROUP ON SECURITY OFF
	ACA00147AAC033		FIRE SERVICE ON OFF BYPASS	
	ACA00147AAC034		PRIORITY ON SERVICE OFF	
	ACA00147AAC035		GROUP ON SECURITY OFF	
	ACA00147AAC036	△		STANDBY 1 POWER 2
	ACA00147AAC037	▽		STANDBY 1 POWER 2
	ACA00147AAC038		STANDBY 1 POWER 2	
	ACA00147AAC039		ACCESS △ OFF ▽	CAR TO LANDING PARK
	ACA00147AAC040		CAR TO LANDING PARK	FIRE SERVICE ON OFF BYPASS
	ACA00147AAC041		CAR TO LANDING PARK	PRIORITY ON SERVICE OFF
	ACA00147AAC042		CAR TO LANDING PARK	GROUP ON SECURITY OFF

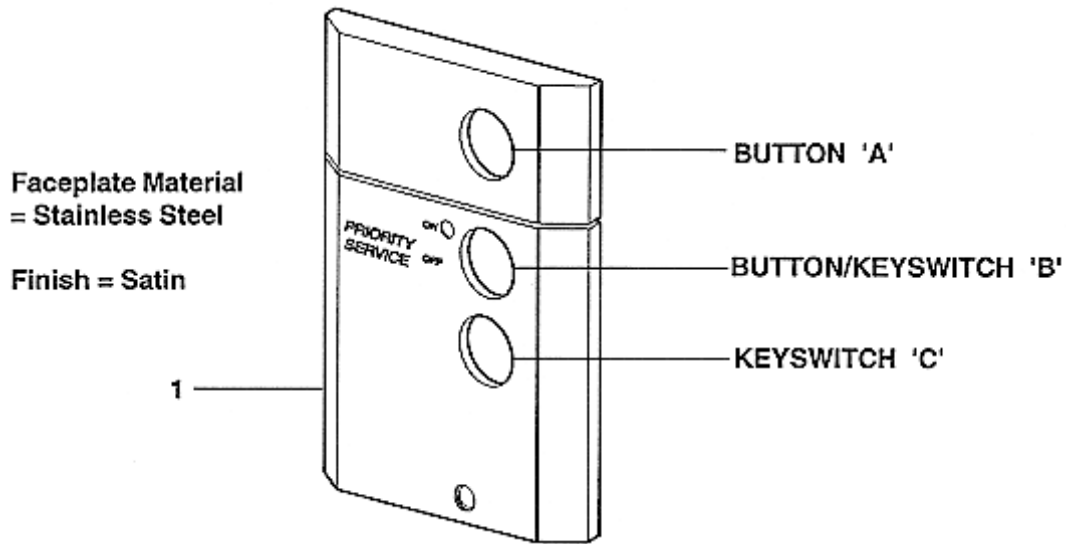
SPL 32-AAA23500AAE - Elevonic 411, Hall Panel, (W/ Micro-motion Button Assembly)



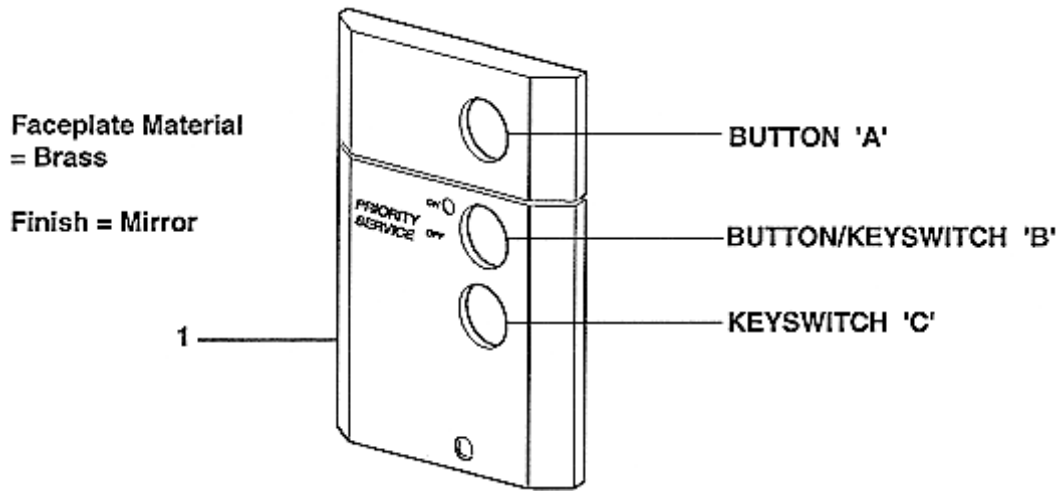
AAA23500AAE		FACEPLATE with MARKING			
REF. No.	PART OR M.L.	BUTTON 'A'	BUTTON/ KEYSWITCH 'B'	KEYSWITCH 'C'	
1	ACA00147AAC043		ACCESS Δ OFF ∇	FIRE SERVICE	ON OFF BYPASS
	ACA00147AAC044		ACCESS Δ OFF ∇	PRIORITY SERVICE	ON OFF
	ACA00147AAC045		ACCESS Δ OFF ∇	GROUP SECURITY	ON OFF
	ACA00147AAC046		ACCESS Δ OFF ∇	STANDBY POWER	1 2
	ACA00147AAC047		CAR TO LANDING PARK	STANDBY POWER	1 2
	ACA00147AAC048		PRIORITY SERVICE ON OFF	FIRE SERVICE	ON OFF BYPASS
	ACA00147AAC049		FIRE SERVICE ON OFF BYPASS	GROUP SECURITY	ON OFF
	ACA00147AAC050		PRIORITY SERVICE ON OFF	GROUP SECURITY	ON OFF
	ACA00147AAC051		FIRE SERVICE ON OFF BYPASS	STANDBY POWER	1 2
	ACA00147AAC052		PRIORITY SERVICE ON OFF	STANDBY POWER	1 2
	ACA00147AAC053		GROUP SECURITY ON OFF	STANDBY POWER	1 2



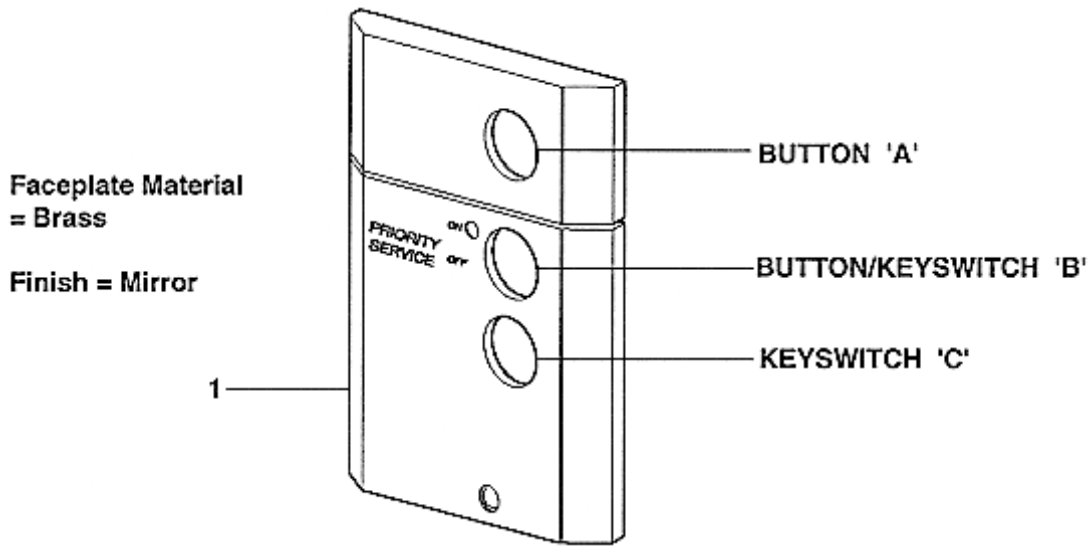
REF. No.	AAA23500AAE	FACEPLATE with MARKING			
	PART OR M.L.	BUTTON 'A'	BUTTON/ KEYSWITCH 'B'	KEYSWITCH 'C'	
1	ACA00147AAC067	▽		PRIORITY SERVICE	ON OFF
	ACA00147AAC068	▽		GROUP SECURITY	ON OFF
	ACA00147AAC069		FIRE SERVICE	ON OFF BYPASS	
	ACA00147AAC070		PRIORITY SERVICE	ON OFF	
	ACA00147AAC071		GROUP SECURITY	ON OFF	
	ACA00147AAC072	△		STANDBY POWER	1 2
	ACA00147AAC073	▽		STANDBY POWER	1 2
	ACA00147AAC074		STANDBY POWER	1 2	
	ACA00147AAC075		ACCESS	△ OFF ▽	CAR TO LANDING PARK
	ACA00147AAC076		CAR TO LANDING PARK	FIRE SERVICE	ON OFF BYPASS
	ACA00147AAC077		CAR TO LANDING PARK	PRIORITY SERVICE	ON OFF
	ACA00147AAC078		CAR TO LANDING PARK	GROUP SECURITY	ON OFF



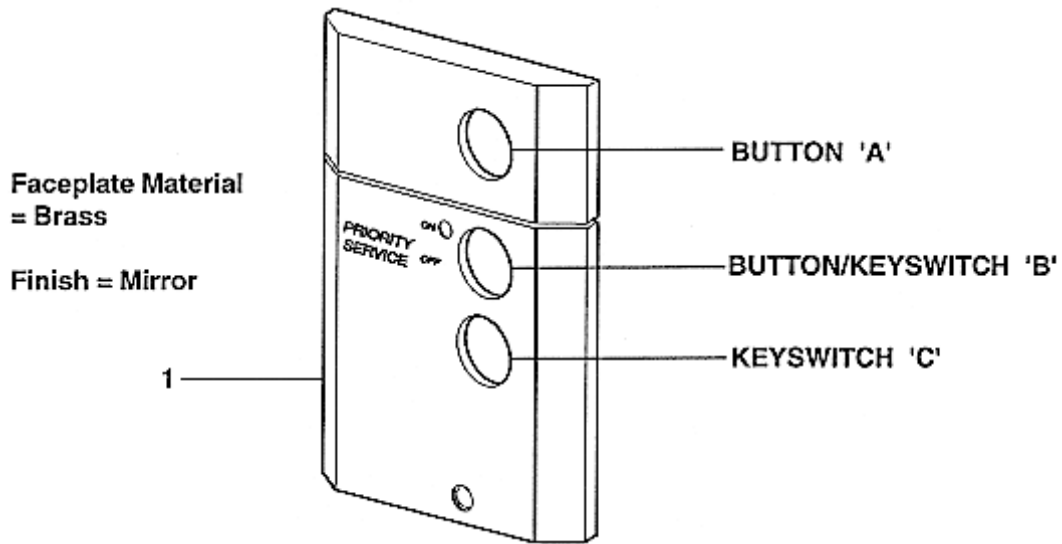
REF. No.	AAA23500AAE	FACEPLATE with MARKING			
	PART OR M.L.	BUTTON 'A'	BUTTON/ KEYSWITCH 'B'	KEYSWITCH 'C'	
1	ACA00147AAC079		ACCESS △ OFF ▽	FIRE SERVICE	ON OFF BYPASS
	ACA00147AAC080		ACCESS △ OFF ▽	PRIORITY SERVICE	ON OFF
	ACA00147AAC081		ACCESS △ OFF ▽	GROUP SECURITY	ON OFF
	ACA00147AAC082		ACCESS △ OFF ▽	STANDBY POWER	1 2
	ACA00147AAC083		CAR TO LANDING PARK	STANDBY POWER	1 2
	ACA00147AAC084		PRIORITY SERVICE ON OFF	FIRE SERVICE	ON OFF BYPASS
	ACA00147AAC085		FIRE SERVICE ON OFF BYPASS	GROUP SECURITY	ON OFF
	ACA00147AAC086		PRIORITY SERVICE ON OFF	GROUP SECURITY	ON OFF
	ACA00147AAC087		FIRE SERVICE ON OFF BYPASS	STANDBY POWER	1 2
	ACA00147AAC088		PRIORITY SERVICE ON OFF	STANDBY POWER	1 2
	ACA00147AAC089		GROUP SECURITY ON OFF	STANDBY POWER	1 2



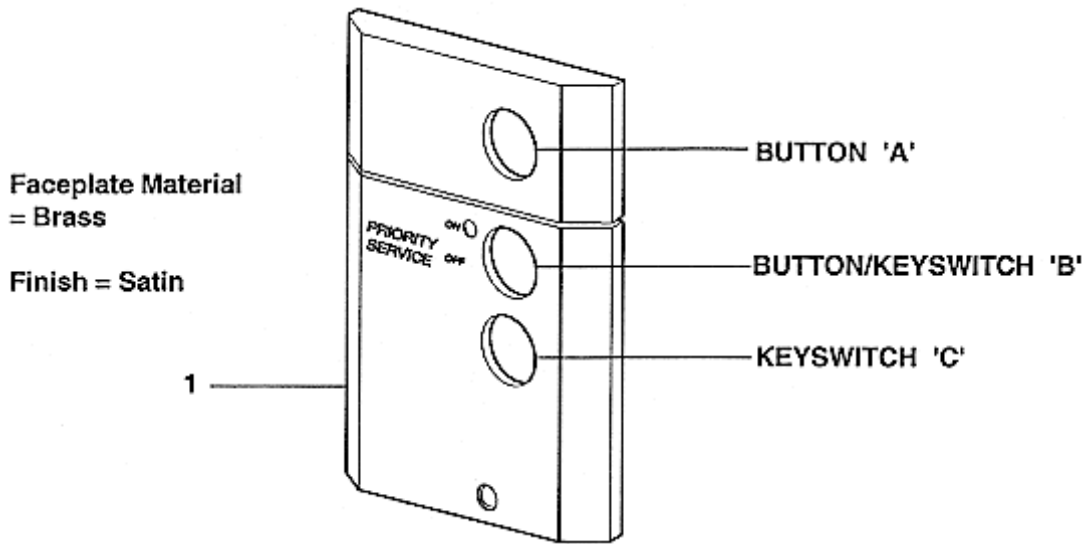
REF. No.	PART OR M.L.	FACEPLATE with MARKING		
		BUTTON 'A'	BUTTON/ KEYSWITCH 'B'	KEYSWITCH 'C'
1	ACA00147AAC090	△		
	ACA00147AAC091	▽		
	ACA00147AAC092	△	▽	
	ACA00147AAC093	△		ACCESS [△] OFF _▽
	ACA00147AAC094	△		CAR TO LANDING PARK
	ACA00147AAC095	▽		ACCESS [△] OFF _▽
	ACA00147AAC096	▽		CAR TO LANDING PARK
	ACA00147AAC097		ACCESS [△] OFF _▽	
	ACA00147AAC098		CAR TO LANDING PARK	
	ACA00147AAC099	△		FIRE SERVICE ON OFF BYPASS
	ACA00147AAC100	△		PRIORITY SERVICE ON OFF
	ACA00147AAC101	△		GROUP SECURITY ON OFF
	ACA00147AAC102	▽		FIRE SERVICE ON OFF BYPASS



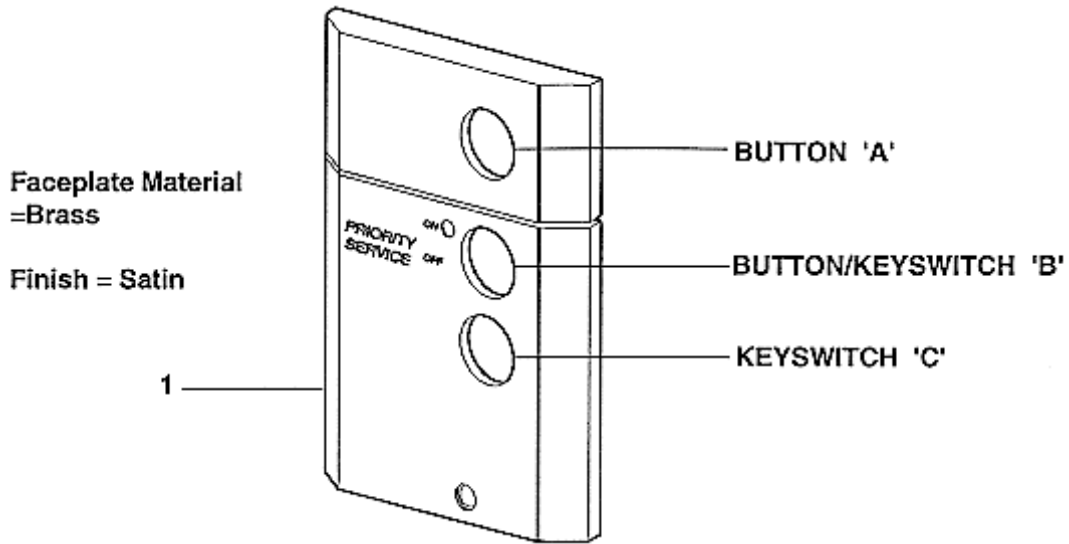
AAA23500AAC		FACEPLATE with MARKING		
REF. No.	PART OR M.L.	BUTTON 'A'	BUTTON/ KEYSWITCH 'B'	KEYSWITCH 'C'
1	ACA00147AAC103	▽		PRIORITY ON SERVICE OFF
	ACA00147AAC104	▽		GROUP ON SECURITY OFF
	ACA00147AAC105		FIRE ON SERVICE OFF BYPASS	
	ACA00147AAC106		PRIORITY ON SERVICE OFF	
	ACA00147AAC107		GROUP ON SECURITY OFF	
	ACA00147AAC108	△		STANDBY 1 POWER 2
	ACA00147AAC109	▽		STANDBY 1 POWER 2
	ACA00147AAC110		STANDBY 1 POWER 2	
	ACA00147AAC111		ACCESS △ OFF ▽	CAR TO LANDING PARK
	ACA00147AAC112		CAR TO LANDING PARK	FIRE ON SERVICE OFF BYPASS
	ACA00147AAC113		CAR TO LANDING PARK	PRIORITY ON SERVICE OFF
	ACA00147AAC114		CAR TO LANDING PARK	GROUP ON SECURITY OFF



AAA23500AAC		FACEPLATE with MARKING			
REF. No.	PART OR M.L.	BUTTON 'A'	BUTTON/ KEYSWITCH 'B'	KEYSWITCH 'C'	
1	ACA00147AAC115		ACCESS Δ OFF ∇	FIRE SERVICE	ON OFF BYPASS
	ACA00147AAC116		ACCESS Δ OFF ∇	PRIORITY SERVICE	ON OFF
	ACA00147AAC117		ACCESS Δ OFF ∇	GROUP SECURITY	ON OFF
	ACA00147AAC118		ACCESS Δ OFF ∇	STANDBY POWER	1 2
	ACA00147AAC119		CAR TO LANDING PARK	STANDBY POWER	1 2
	ACA00147AAC120		PRIORITY SERVICE ON OFF	FIRE SERVICE	ON OFF BYPASS
	ACA00147AAC121		FIRE SERVICE ON OFF BYPASS	GROUP SECURITY	ON OFF
	ACA00147AAC122		PRIORITY SERVICE ON OFF	GROUP SECURITY	ON OFF
	ACA00147AAC123		FIRE SERVICE ON OFF BYPASS	STANDBY POWER	1 2
	ACA00147AAC124		PRIORITY SERVICE ON OFF	STANDBY POWER	1 2
	ACA00147AAC125		GROUP SECURITY ON OFF	STANDBY POWER	1 2



AAA23500AAE		FACEPLATE with MARKING		
REF. No.	PART OR M.L.	BUTTON 'A'	BUTTON/ KEYSWITCH 'B'	KEYSWITCH 'C'
1	ACA00147AAC139	▽		PRIORITY ON SERVICE OFF
	ACA00147AAC140	▽		GROUP ON SECURITY OFF
	ACA00147AAC141		FIRE SERVICE ON OFF BYPASS	
	ACA00147AAC142		PRIORITY ON SERVICE OFF	
	ACA00147AAC143		GROUP ON SECURITY OFF	
	ACA00147AAC144	△		STANDBY 1 POWER 2
	ACA00147AAC145	▽		STANDBY 1 POWER 2
	ACA00147AAC146		STANDBY 1 POWER 2	
	ACA00147AAC147		ACCESS △ OFF ▽	CAR TO LANDING PARK
	ACA00147AAC148		CAR TO LANDING PARK	FIRE SERVICE ON OFF BYPASS
	ACA00147AAC149		CAR TO LANDING PARK	PRIORITY ON SERVICE OFF
	ACA00147AAC150		CAR TO LANDING PARK	GROUP ON SECURITY OFF



REF. No.	AAA23500AAE	FACEPLATE with MARKING			
	PART OR M.L.	BUTTON 'A'	BUTTON/ KEYSWITCH 'B'	KEYSWITCH 'C'	
1	ACA00147AAC151		ACCESS Δ OFF ∇	FIRE SERVICE ON OFF BYPASS	
	ACA00147AAC152		ACCESS Δ OFF ∇	PRIORITY SERVICE ON OFF	
	ACA00147AAC153		ACCESS Δ OFF ∇	GROUP SECURITY ON OFF	
	ACA00147AAC154		ACCESS Δ OFF ∇	STANDBY POWER 1 2	
	ACA00147AAC155		CAR TO LANDING PARK	STANDBY POWER 1 2	
	ACA00147AAC156		PRIORITY SERVICE ON OFF	FIRE SERVICE ON OFF BYPASS	
	ACA00147AAC157		FIRE SERVICE ON OFF BYPASS	GROUP SECURITY ON OFF	
	ACA00147AAC158		PRIORITY SERVICE ON OFF	GROUP SECURITY ON OFF	
	ACA00147AAC159		FIRE SERVICE ON OFF BYPASS	STANDBY POWER 1 2	
	ACA00147AAC160		PRIORITY SERVICE ON OFF	STANDBY POWER 1 2	
	ACA00147AAC161		GROUP SECURITY ON OFF	STANDBY POWER 1 2	