

Series 2 Hall Panel w/ & w/o Flashing Sign

Spare Parts Leaflet

32-AAA23500AN

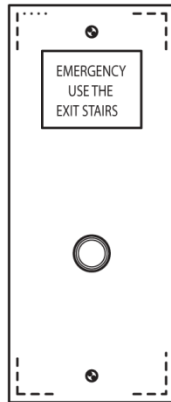
January 29, 2020 / Page 1 of 21

32 R - AAA23500AN

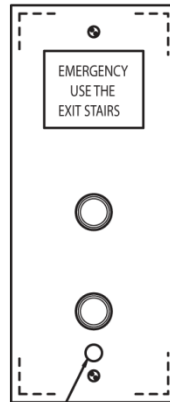
32 R - AAB23500AN

32 R - ABA23500AN

32 H - ACA23500AN

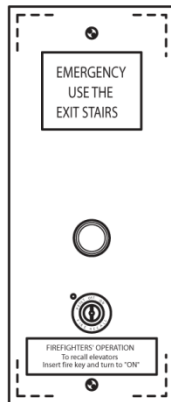


**TERMINAL
HALL PANEL**

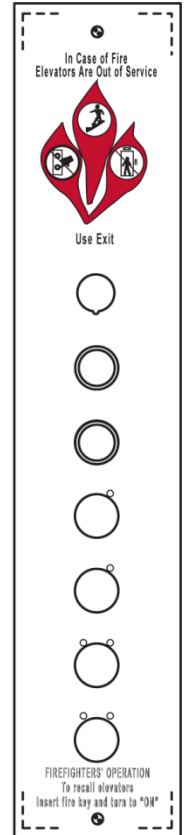
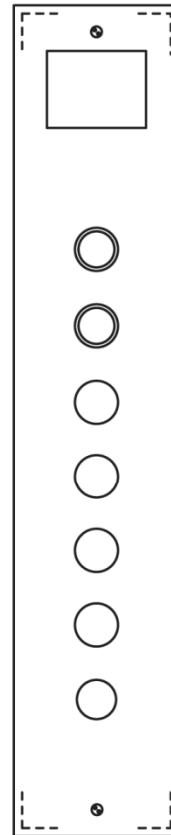


1/2" DIA. PHONE JACK
HOLE AT MAIN RISER
ONLY. PHONE JACK BY
OTHERS (IF REQUIRED)

**INTERMEDIATE
HALL PANEL**



**TERMINAL
HALL PANEL**



OTIS

This document does not contain any technical data subject to EAR or ITAR

SERVICE ENGINEERING
Otis Elevator Company
Bloomfield, Connecticut USA

Unpublished Work—© Otis Elevator Co.; 2020

Leaflet Description

This leaflet describes the lowest replaceable parts for the Series 2 fixtures hall panel. Manufacture for the product began approximately 1996.

In 2009, Otis made a decision to obsolete the AAA23500AK, BY, and CC 24 volt buttons. They are directly replaced by the AAA23500CH buttons.

Leaflet Revisions

Date Revised	Subject Matter Expert	Reason for Revision
December 1, 1997	Jeffrey S. Costley	New SPL
May 4, 2006	Joseph Zych	Update to current vintage ACA23500AN changes.
March 26, 2009	Joseph Zych	Added pictures of faceplates with firefighter's engravings pp. 1 & 7. Add p/n FBA316SL1 on p. 6. Button types AAA23500AK and AAA23500BY superseded to new button type AAA23500CH on p.4.
December 9, 2009	Mike Bertini	New faceplate ordering information on pp 8–15
February 3, 2010	Joseph Zych	Corrected reference on illustration on p. 7
September 15, 2010	Joseph Zych	Add faceplate arrangements ABA147QK700–...QK733
May 18, 2011	Joseph Zych	Added Emergency Communication Signal Failure Device information on p. 6
April 10, 2013	Joseph Zych	Corrected pp. 14–15 and 20
January 29, 2020	Joseph Zych	Added p/n AAA462JS2 on p. 6

Related Drawings

Drawing No.	Title
A_ _ 23500AN	Assembly and Arrangement Hall Button

Related Documents

Document ID	Title
SPL 31-AAA102VB	Instruction Plates
SPL 31-AAA23500AK	Modular Luxury Fixture: Micro-Motion III Pushbuttons
SPL 31-AAA23500AQ	Motionless II Pushbutton
SPL 31-AAA23500F	Keyswitch Assemblies: Light Ring & Engraved Collar Version
SPL 31-AAA23500T	Phone Jack Assembly
SPL 32-AAA23500CH	Micro-Motion III Pushbuttons, 24 V
SU12-115, SU12-117	Specified Order Form, Micro-Motion III Buttons and Rear Mount Keyswitches with Flat Faceplate

Subject Matter Expert

Name	Department
Joseph Zych	OSC Service Engineering

About Spare Parts Leaflets...

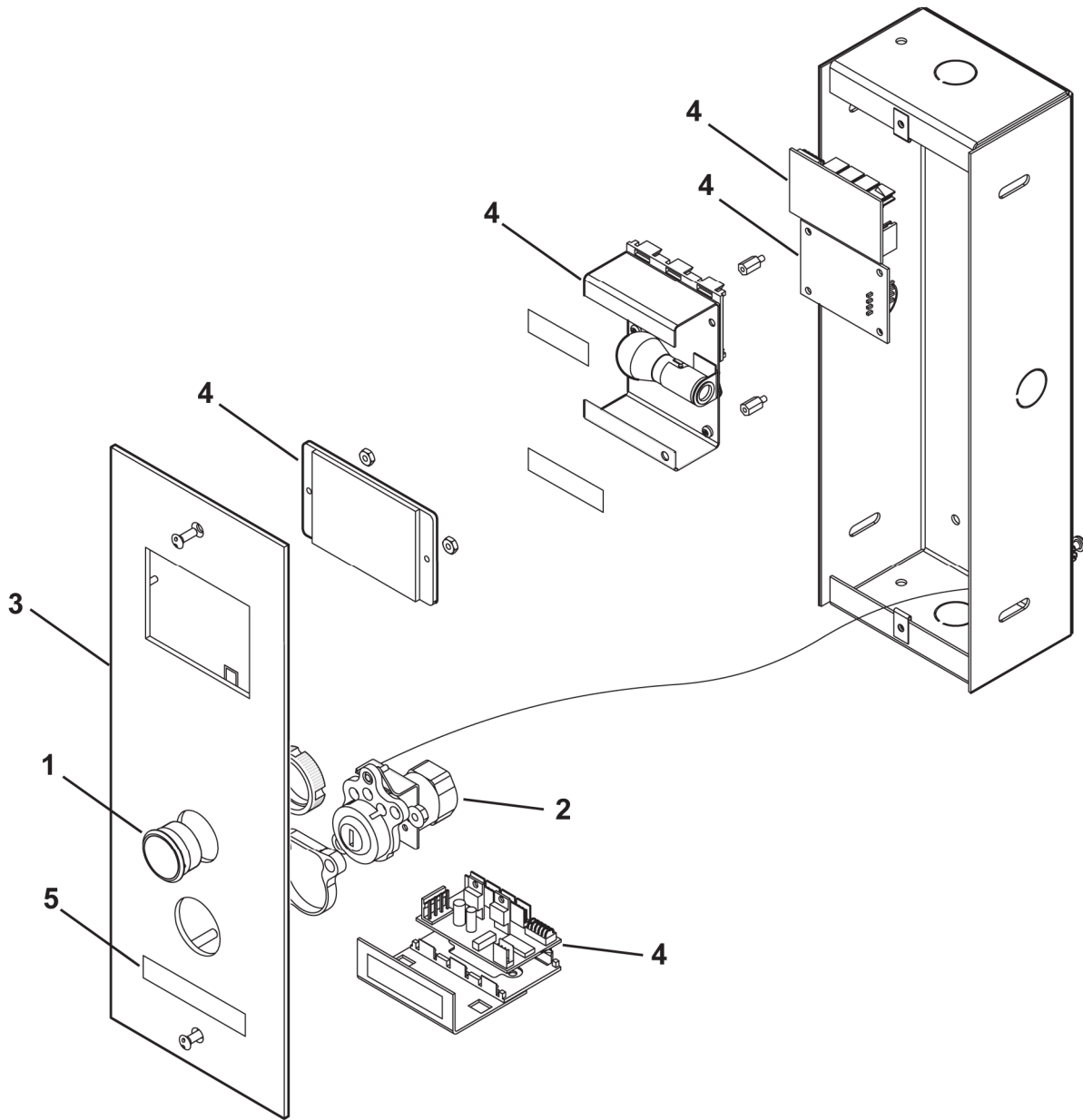
This document lists the lowest replaceable units (LRUs) for the standard version of the product. The LRUs are chosen by a team of Otis associates representing engineering and manufacturing.

While goal of this document is to make parts identification as easy as possible, the document cannot be all-inclusive. Elevator and escalator contracts classified as "special" or "custom" are not addressed here. For such contracts, please refer to specified information, the contract folder, TIPS, Field Education Articles, Construction Letters, etc. for further information.

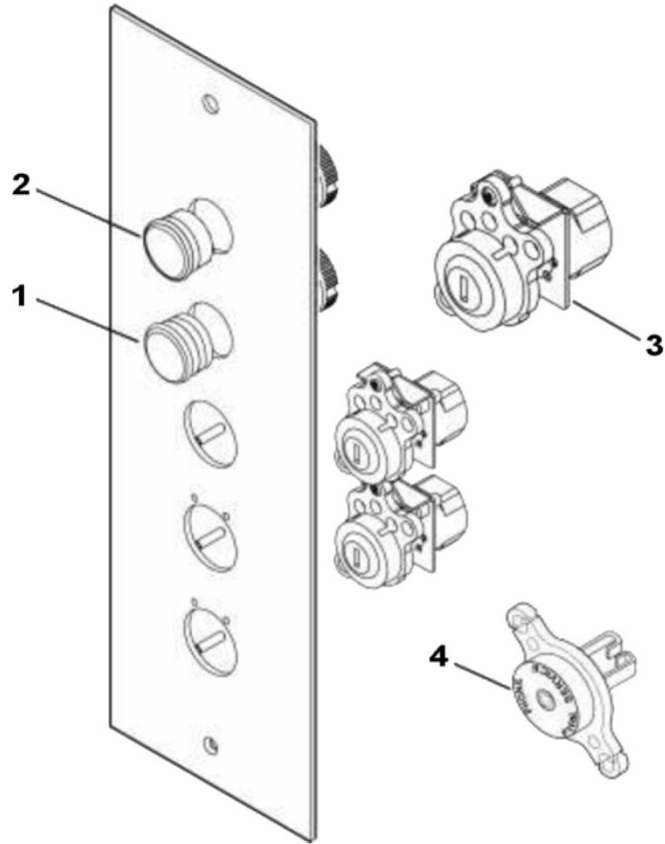
If you have any suggestions about this document, please contact the subject matter expert listed on this page.

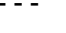
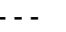
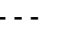
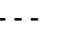
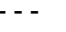



Table of Contents

32-AAA23500AN



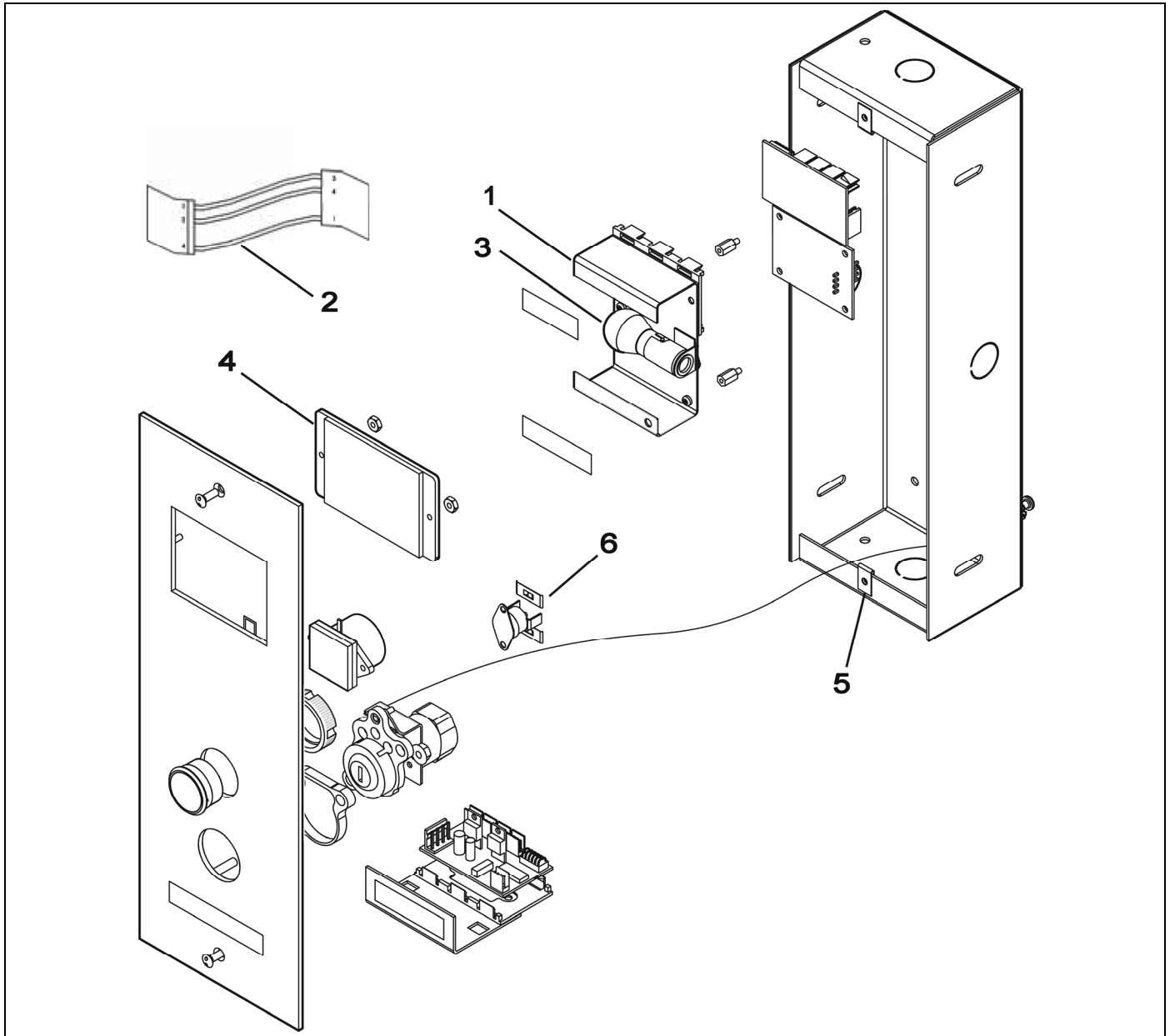
REF. No.	PAGE No.	DESCRIPTION
1	4	Buttons and Jewels, NAA
2	4	Keyswitches
3	7-11	Faceplates and Tamper-Resistant Screws
4	5-6	Flashing Sign and Common Parts
5	12	Plates, Instruction



ALL VINTAGES		
REF. No.	PART No.	DESCRIPTION
1	---	Buttons, Micromotion III, Luxury, Type AAA23500AK
	---	Button, Micromotion III, Vandal Resistant, Type AAA23500AM
	---	Buttons, Micromotion III, Luxury, Type AAA23500BY
	---	Buttons, Micromotion III, Luxury, Type AAA23500GG
	---	Buttons, Micromotion III, Luxury, Type AAA23500CH,  SPL 31-AAA23500CH
2	---	Jewel, Type AAA23500AL,  SPL 31-AAA23500AL
3	---	Keyswitch Module, Conn. SES, Type ABA23500K,  SPL 31-AAA23500F
	---	Keyswitch Module, MEDECO, Type ABA23500R,  SPL 31-AAA23500F
	---	Keyswitch Module, SES Northeast Lock, Type ABA23500W,  SPL 31-AAA23500F
	---	Keyswitch Module, w/Engraved Collar, Illinois Lock, Type ABA23500G,  SPL 31-AAA23500F
	---	Keyswitch, Integral Lock & Switch, RI/SC SES Type ABA23500AD,  SPL 31-AAA23500F
4	AAA23500T5	Phone Jack, Firefighter's,  SPL 31-AAA23500T

Flashing Sign and Common Parts

32-AAA23500AN

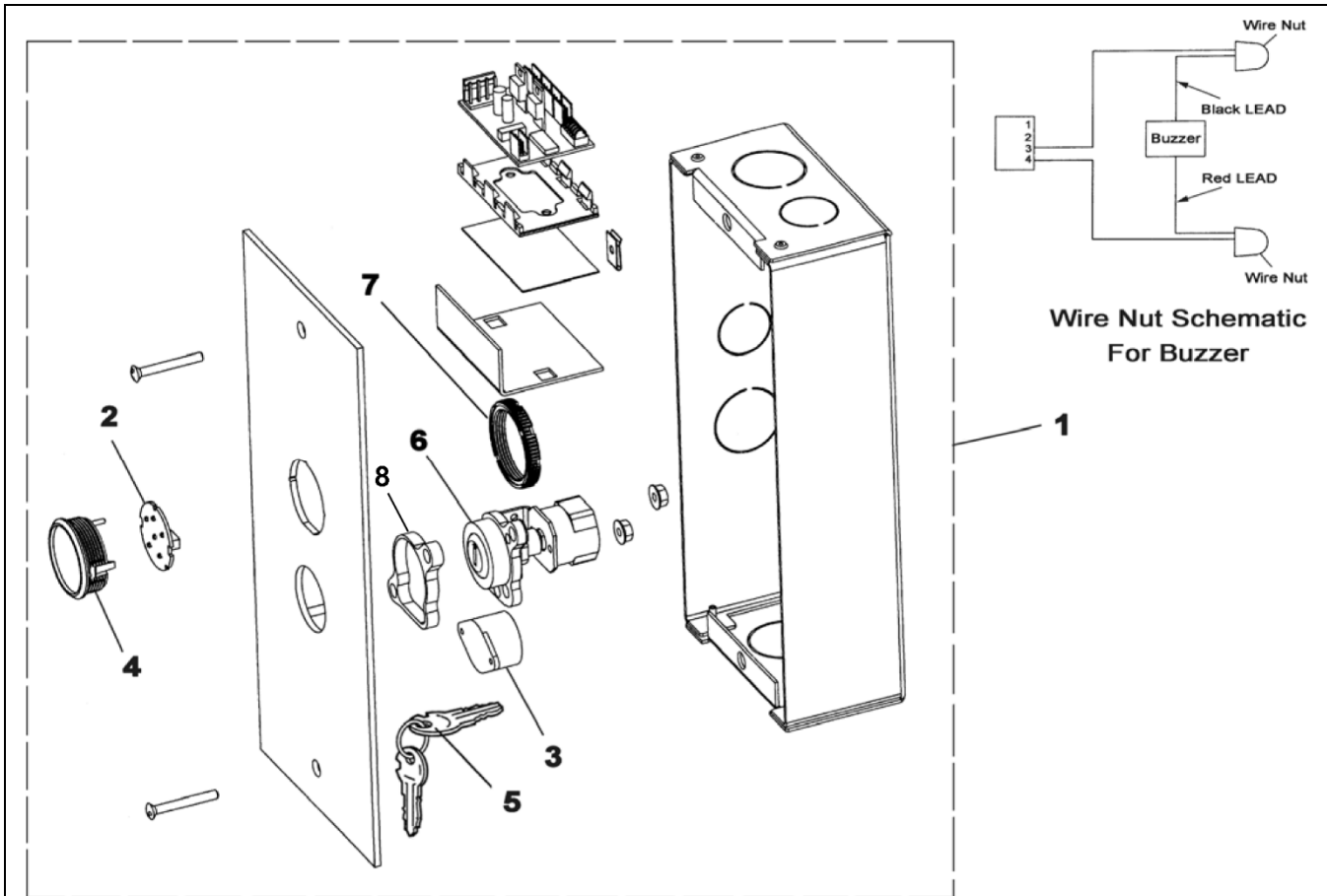


ALL VINTAGES		
REF. No.	PART No.	DESCRIPTION
1	AAA316FVH1	Bracket, Lamp
2	AAA00174AAL079	Cable Assembly (Buffer PCB to Remote Station-14 PCB)
3	424D6	Lamp, DC Bayonet Base, 28.0V, Bulb Style G-6
4	AAA443DV2	Lens Assembly, Lens + Label, MARKED: Emergency Use The Stairs
5	72BX7	Nut, Speed
6	72CE5	Nut, Speed (for Thermal Switch)

* Parts not shown.

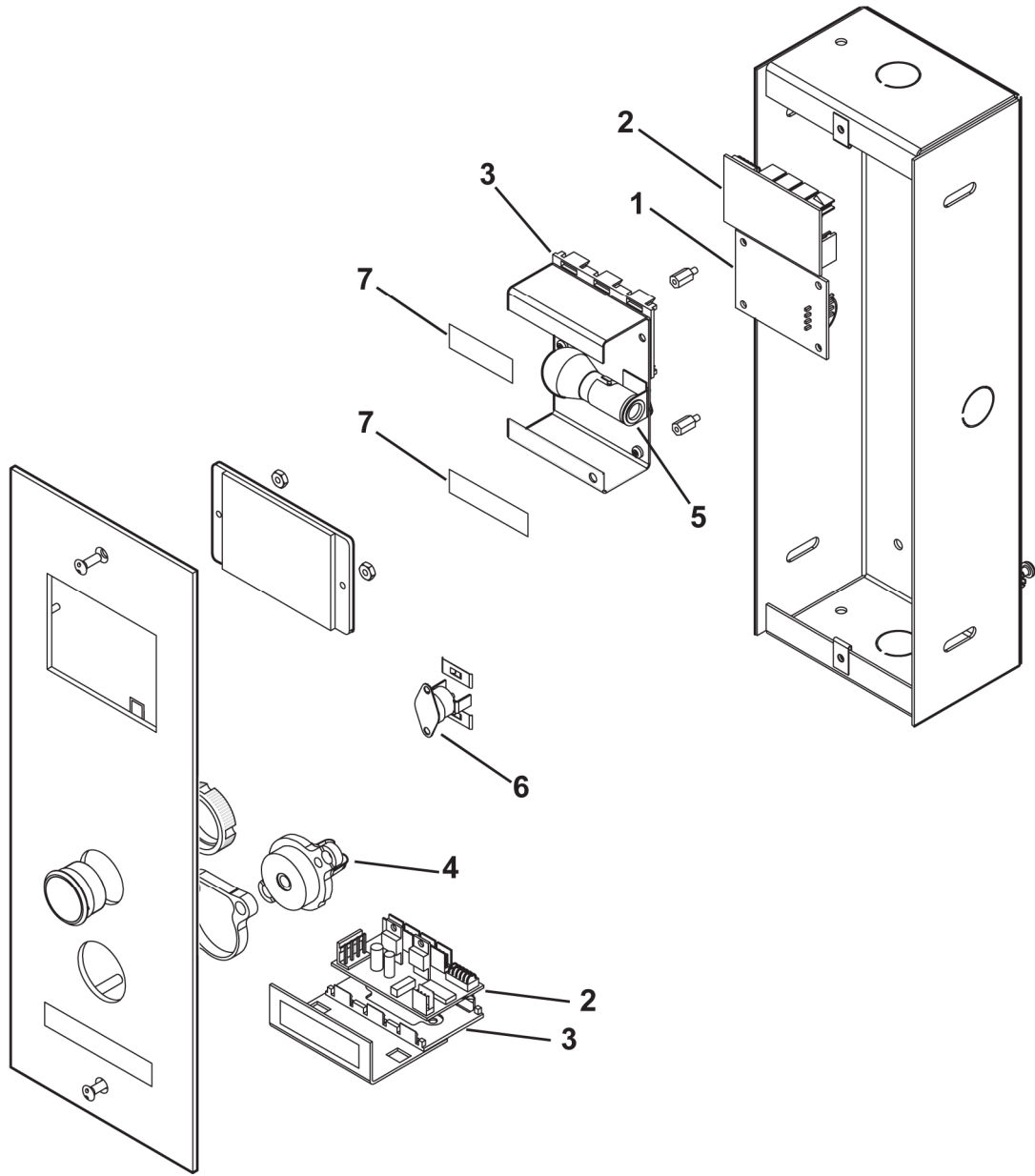
Continued on Next Page



Emergency Communication Failure Signal Device



ALL VINTAGES			
REF. No.	PART No.	DESCRIPTION	
1	AAA23851K6	Assembly, Hall Fixture, Elevator Communication Failure Device	Mill4
	AAA23851K7		Mirror Stainless
	AAA23851K8		Satin Bronze
	AAA23851K9		Mirror Bronze
	AAA23851K10		Ferritic Mill4
2	AAA26800AJS4	Board, Circuit	
3	6219F3	Buzzer, Elevator Communication Failure	
*	AAA174AHK7	Cable, RS14 to Buzzer,	SPL 31-AAA174AHK
*	AAA174AHK8	Cable, RS14 to Jewel,	SPL 31-AAA174AHK
*	AAA00174AAL078	Cable, RS Power	
4	AAA23851B35	Jewel, Elevator Communication Failure, English	
	AAA23851B36	Jewel, Elevator Communication Failure, French	
5	6410W-UTA	Key	
6	ABA23500G305	Keyswitch Module, Elevator Communication Failure	
7	AAA72JZ1	Nut (for Run/Stop toggle switch)	
8	AAA462JS2	Spacer (for keyswitch)	
*	AAA297BK1	Tape, Adhesive (p/n 6219F3)	

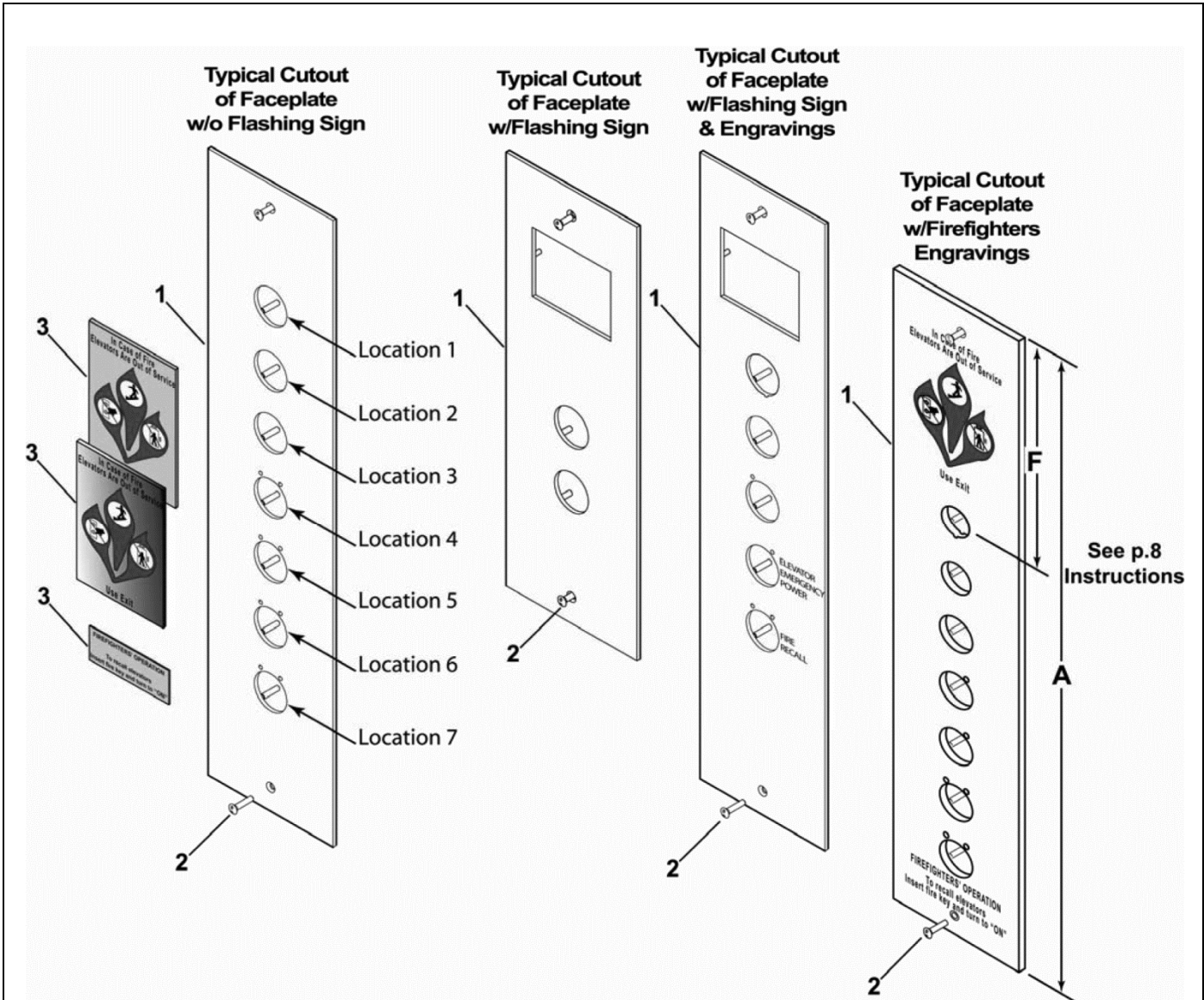
* Parts not shown.



ALL VINTAGES		
REF. No.	PART No.	DESCRIPTION
1	C8121BB1	PC Board, Buffer
2	GDA25005B1	PC Board, Remote-Station 14
3	FBA316SL1	PC Board Holder
4	AAA23500T5	Phone Jack Assembly see SPL 31-AAA23500T
5	467AX1	Socket, Lamp
6	AAA00177AAD001	Switch, Thermal (W) Motionless Buttons, AAA23500AQ)
7	AAA26YC8	Tape, VHB,  to: 2.6 in X 0.5 in. (lamp brkt. to face plate),  to: 2.6 in. X 0.75 in. (remote-station 14 PC Board to face plate)

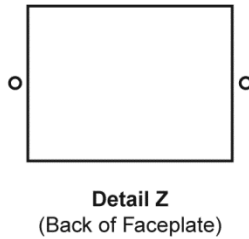
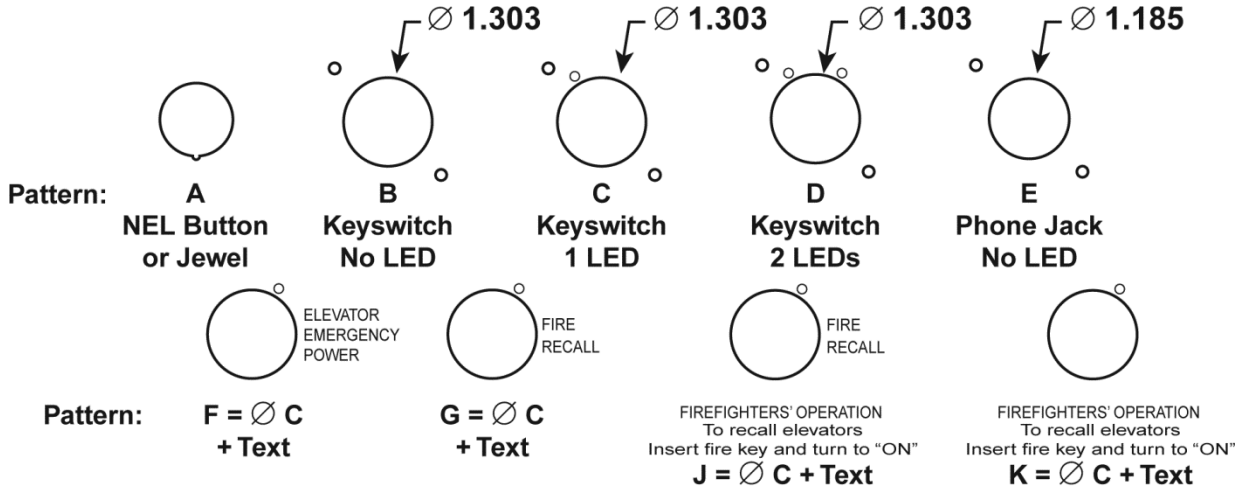
Faceplates

32-AAA23500AN



REF. No.	PART No.		DESCRIPTION
1	AAA23500AN	AAB23500AN ABA23500AN ACA23500AN	Faceplate, Type ABA147QK (refer to pages: 8–15)
2	424DK14 →	124DK32	Screw, Spanner Head, Bronze, Mirror Finish
	424DK2 →	124DK30	Screw, Spanner Head, Bronze, Brushed Finish
	424DK1 →	124DK29	Screw, Spanner Head, Stainless Steel, Mill 4 Finish
	424DK13 →	124DK31	Screw, Spanner Head, Stainless Steel, Mirror Finish
3	---		Plate, Instruction, Various, Finishes: Stainless Steel, Bronze, Clear Polycarbonate, see SPL 31-AAA102VB

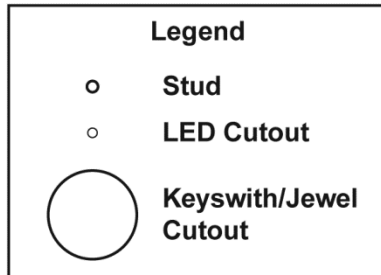
Faceplates are available in numerous configurations. To order a faceplate it is necessary to specify the cutout patterns that will house the keyswitch, jewel, flashing sign, or engravings. The illustration below depicts the various cutout patterns and engravings available. Use it along with the tabulation of faceplate part numbers on pages 9–15. When placing an order add the wanted material and finish identity to the end of the part number. Page 7 offers a pictorial of what different faceplates might look like and also provides the distance of references “L” and “F” listed in the parts tabulation. A complete faceplate part number will look like: ABA147QK645-SS8.



NOTES:

1. Patterns F, G, & J text 'elevator emergency power' and fire recall painted red. All other text is painted black.
2. Patterns A, B, C, D, F, G, J, and K keyswitch/jewel cutout diameter is 1.303 in.
3. Pattern E keyswitch/jewel cutout diameter is 1.185 in.

Material	Finish
Mill4	MF4
Mirror Stainless	SS8
Satin Bronze	BR7
Mirror Bronze	BR8
Ferritic Mill4	FS4

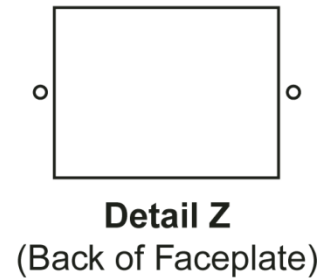
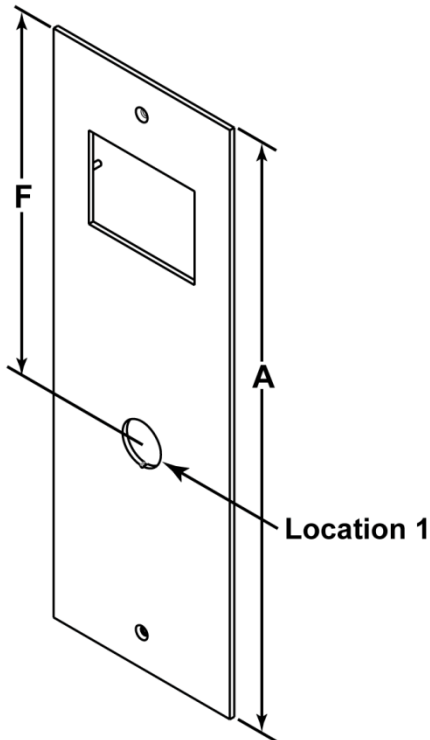


1-Position Faceplates

32-AAA23500AN

NOTE: See page 8 for available patterns and engravings; add material and finish to selected part number. See page 7 for dimensions “A” and “F.”

1 POSITION
All Faceplates 5 in. Wide



ABA147QK76-__

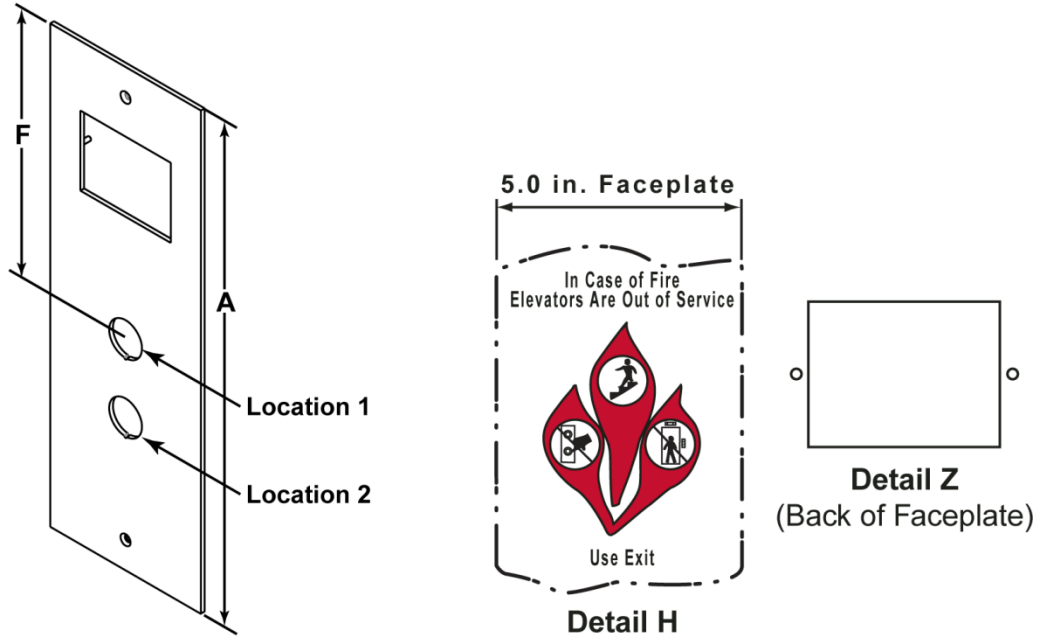
No of Positions	ABA147__	A	F	DETAIL		LOCATION AND PATTERN				
				H	Z	1	2	3	4	5
1	QK1-__	9.625	4.813	W/O	W/O	A	---	---	---	---
	QK51-__	9.625	4.813	W/O	W/O	B	---	---	---	---
	QK76-__	14.45	8.938	W/O	WITH	A	---	---	---	---
	QK120-__	9.625	4.813	W/O	W/O	C	---	---	---	---
	QK197-__	9.625	4.813	W/O	W/O	F	---	---	---	---
	QK400-__	9.625	4.813	W/O	W/O	G	---	---	---	---
	QK401-__	14.45	10.45	WITH	W/O	A	---	---	---	---

2-Position Faceplates

NOTE: See page 8 for available patterns and engravings; add material and finish to selected part number. See page 7 for dimensions “A” and “F.”

2 POSITION

All Faceplates 5 in. Wide



ABA147QK77-__

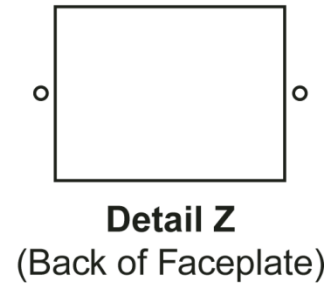
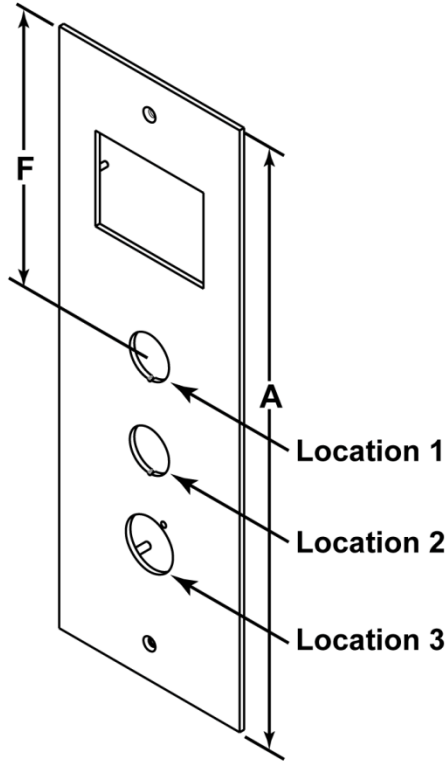
No of Positions	ABA147__	A	F	DETAIL		LOCATION AND PATTERN				
				H	Z	1	2	3	4	5
2	QK2-__	11.406	4.578	W/O	W/O	A	A	---	---	---
	QK3-__	11.406	4.578	W/O	W/O	A	B	---	---	---
	QK4-__	11.406	4.578	W/O	W/O	A	C	---	---	---
	QK52-__	11.406	4.578	W/O	W/O	B	B	---	---	---
	QK53-__	11.406	4.578	W/O	W/O	B	C	---	---	---
	QK77-__	14.45	7.813	W/O	WITH	A	A	---	---	---
	QK125-__	11.406	4.578	W/O	W/O	A	F	---	---	---
	QK316-__	11.406	4.578	W/O	W/O	A	G	---	---	---
	QK402-__	16.95	10.70	WITH	W/O	A	A	---	---	---
	QK404-__	16.95	10.70	WITH	W/O	A	C	---	---	---
	QK630-__	16.95	10.70	WITH	W/O	A	K	---	---	---
	QK734-__	11.41	4.578	W/O	W/O	P	B	---	---	---

3-Position Faceplates

32-AAA23500AN

NOTE: See page 8 for available patterns and engravings; add material and finish to selected part number. See page 7 for dimensions “A” and “F.”

3 POSITION All Faceplates 5 in. Wide



ABA147QK81-__

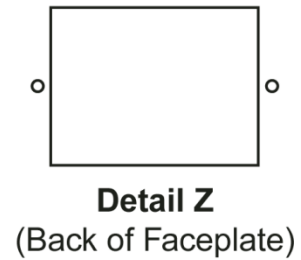
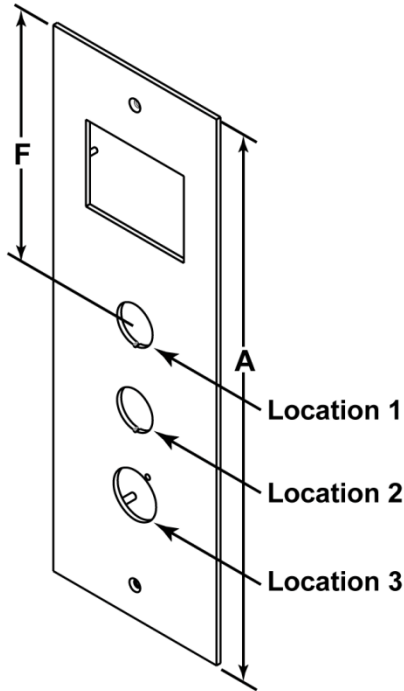
No of Positions	ABA147__	A	F	DETAIL		LOCATION AND PATTERN				
				H	Z	1	2	3	4	5
3	QK6-__	13.25	4.375	W/O	W/O	A	A	B	---	---
	QK7-__	13.25	4.375	W/O	W/O	A	A	C	---	---
	QK10-__	13.25	4.375	W/O	W/O	A	B	C	---	---
	QK13-__	13.25	4.375	W/O	W/O	A	C	C	---	---
	QK56-__	13.25	4.375	W/O	W/O	B	B	C	---	---

3-Position Faceplates

NOTE: See page 8 for available patterns and engravings; add material and finish to selected part number. See page 7 for dimensions “A” and “F.”

3 POSITION

All Faceplates 5 in. Wide



ABA147QK81-__

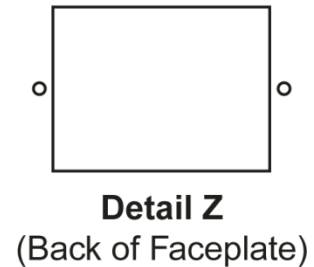
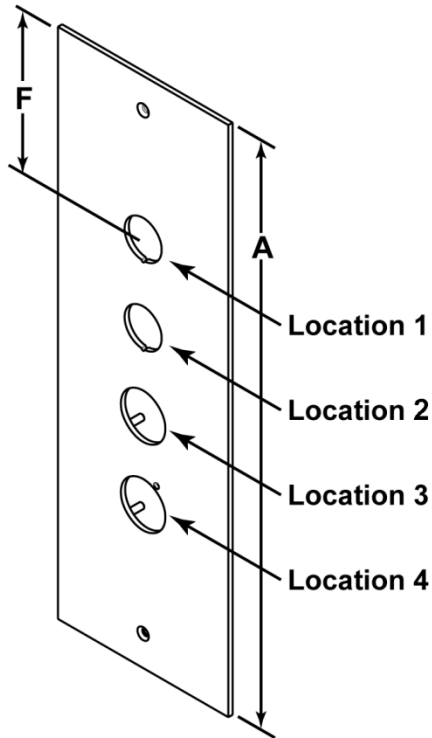
No of Positions	ABA147__	A	F	DETAIL		LOCATION AND PATTERN				
				H	Z	1	2	3	4	5
3	QK81-__	14.45	6.688	W/O	WITH	A	A	C	---	---
	QK126-__	13.25	4.375	W/O	W/O	A	A	A	---	---
	QK130-__	13.25	4.375	W/O	W/O	A	F	C	---	---
	QK131-__	13.25	4.375	W/O	W/O	A	C	F	---	---
	QK317-__	13.25	4.375	W/O	W/O	A	A	G	---	---
	QK318-__	13.25	4.375	W/O	W/O	A	B	G	---	---
	QK319-__	13.25	4.375	W/O	W/O	A	C	G	---	---
	QK328-__	13.25	4.375	W/O	W/O	A	F	G	---	---
	QK631-__	19.69	11.19	WITH	W/O	A	A	K	---	---
QK642-__	19.69	11.19	WITH	W/O	A	F	K	---	---	

4-Position Faceplates

32-AAA23500AN

NOTE: See page 8 for available patterns and engravings; add material and finish to selected part number. See page 7 for dimensions “A” and “F.”

4 POSITION
All Faceplates 5 in. Wide

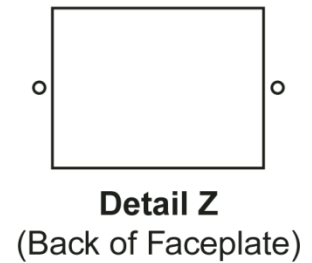
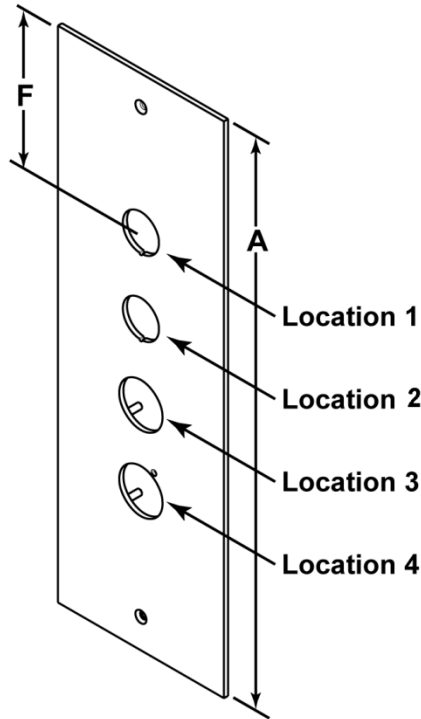


ABA147QK16-__

No of Positions	ABA147__	A	F	DETAIL		LOCATION AND PATTERN				
				H	Z	1	2	3	4	5
4	QK16-__	15.063	4.156	W/O	W/O	A	A	B	C	---
	QK19-__	15.063	4.156	W/O	W/O	A	A	C	C	---
	QK22-__	15.063	4.156	W/O	W/O	A	B	C	C	---
	QK132-__	15.063	4.156	W/O	W/O	A	A	A	B	---
	QK135-__	15.063	4.156	W/O	W/O	A	A	F	C	---
	QK138-__	15.063	4.156	W/O	W/O	A	B	F	C	---
	QK143-__	15.063	4.156	W/O	W/O	A	C	F	C	---
	QK320-__	15.063	4.156	W/O	W/O	A	A	B	G	---

NOTE: See page 8 for available patterns and engravings; add material and finish to selected part number. See page 7 for dimensions “A” and “F.”

**4 POSITION
All Faceplates 5 in. Wide**



ABA147QK16-__

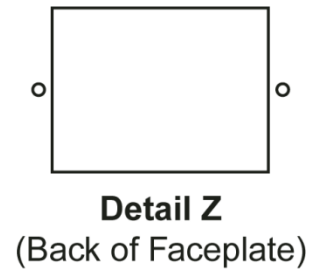
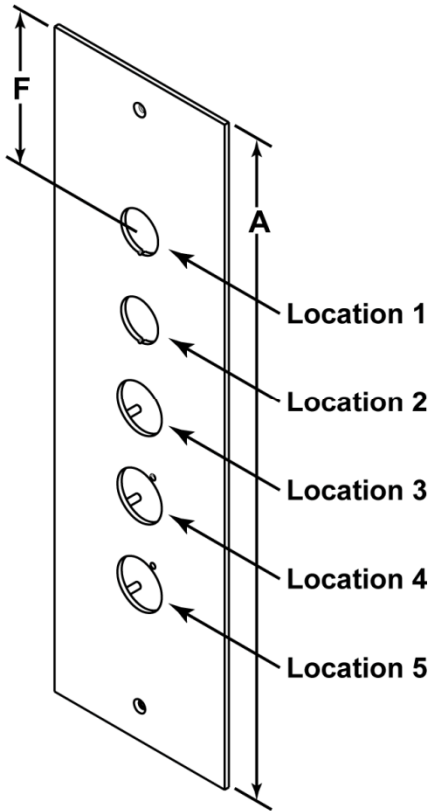
No of Positions	ABA147__	A	F	DETAIL		LOCATION AND PATTERN				
				H	Z	1	2	3	4	5
4	QK321-__	15.063	4.156	W/O	W/O	A	A	C	G	---
	QK329-__	15.063	4.156	W/O	W/O	A	A	F	G	---
	QK393-__	15.063	4.156	W/O	W/O	A	A	A	C	---
	QK394-__	15.063	4.156	W/O	W/O	A	A	A	G	---
	QK645-__	21.94	11.19	WITH	W/O	A	C	F	K	---
	QK671-__	21.94	11.19	WITH	W/O	A	A	A	K	---

5-Position Faceplates

32-AAA23500AN

NOTE: See page 8 for available patterns and engravings; add material and finish to selected part number. See page 7 for dimensions “A” and “F.”

5 POSITION All Faceplates 5 in. Wide

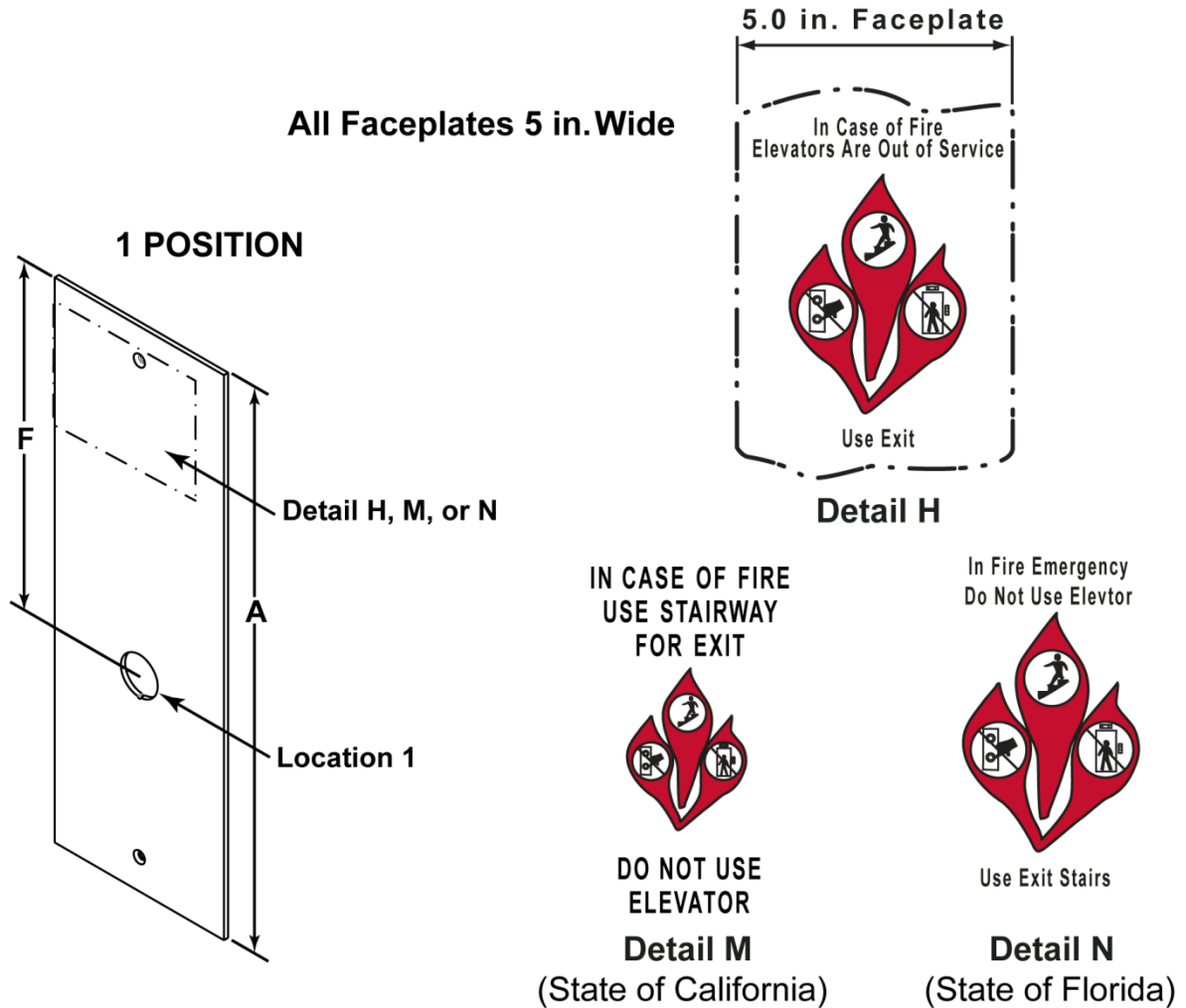


ABA147QK28-__

No of Positions	ABA147__	A	F	DETAIL		LOCATION AND PATTERN				
				H	Z	1	2	3	4	5
5	QK28-__	16.95	3.973	W/O	W/O	A	A	B	C	C
	QK146-__	16.95	3.973	W/O	W/O	A	A	A	B	C
	QK148-__	16.95	3.973	W/O	W/O	A	A	A	C	C
	QK155-__	16.95	3.973	W/O	W/O	A	A	C	F	C
	QK160-__	16.95	3.973	W/O	W/O	A	B	C	F	C
	QK332-__	16.95	3.973	W/O	W/O	A	A	A	B	G

1-Position Faceplates

NOTE: See page 8 for available patterns and engravings; add material and finish to selected part number. See page 7 for dimensions “A” and “F.”

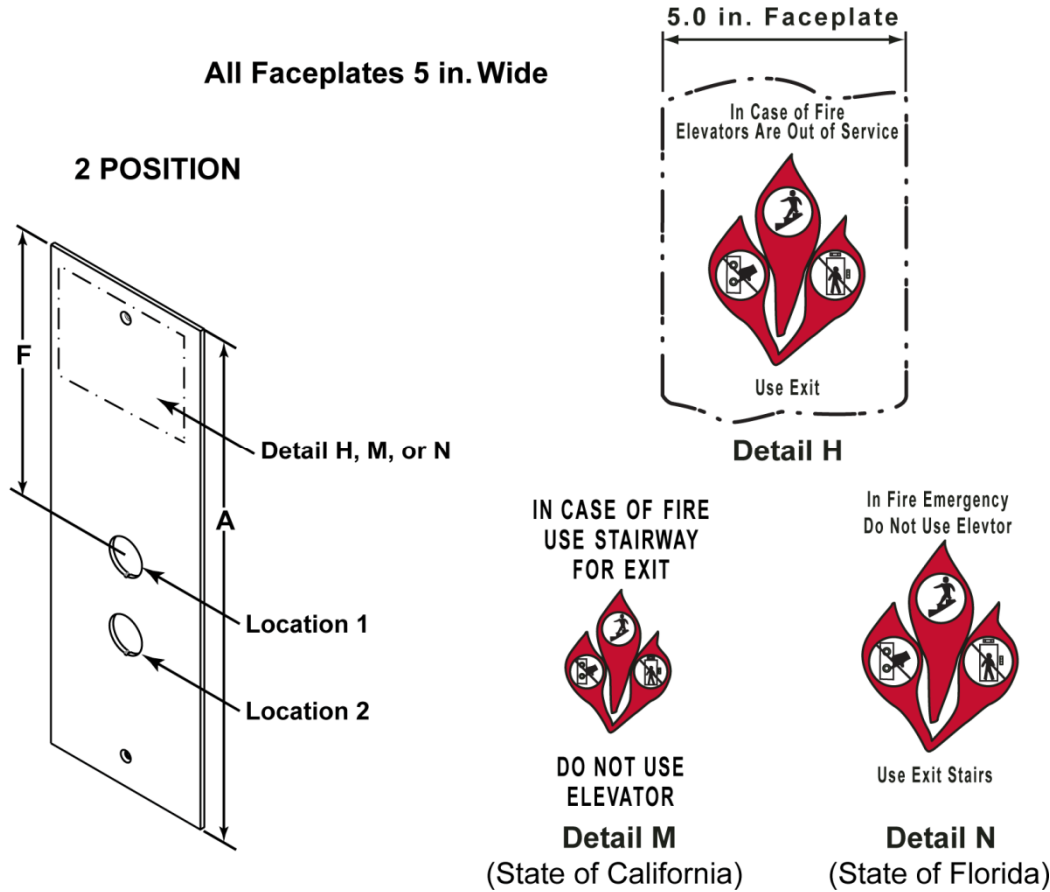


No of Positions	ABA147__	A	F	ENGRAVED FLAME EMBLEM	LOCATION AND PATTERN				
				DETAIL	1	2	3	4	5
1	QK700-__	9.625	4.813	W/O	A	---	---	---	---
	QK708-__	9.625	4.813	W/O	C	---	---	---	---
	QK715-__	14.45	10.45	H	A	---	---	---	---
	QK727-__	10.45	1.76	M	A	---	---	---	---
	QK729-__	10.45	1.76	N	A	---	---	---	---

2-Position Faceplates

32-AAA23500AN

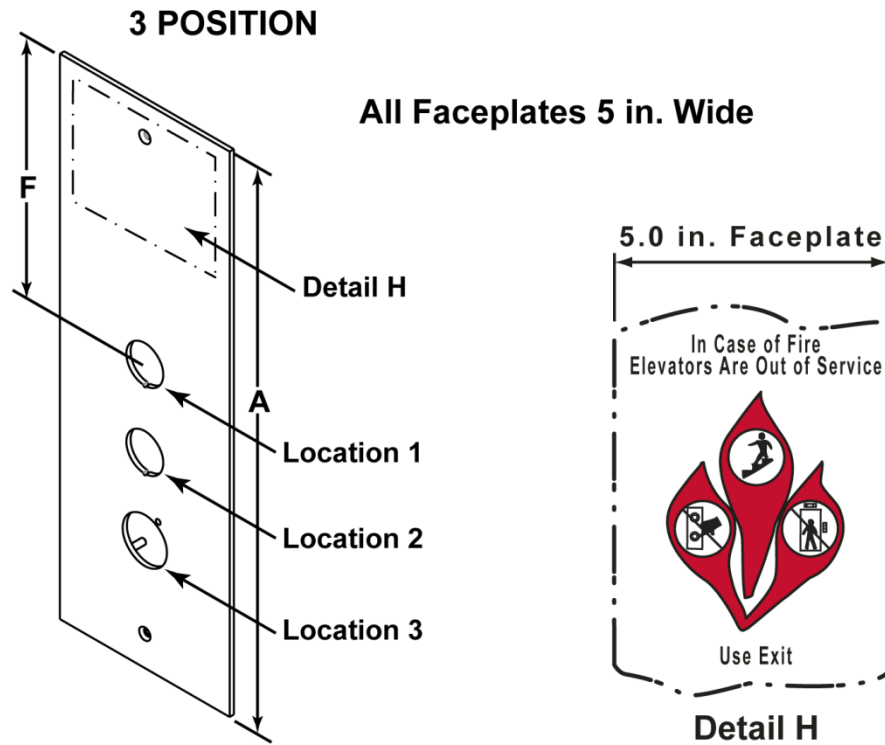
NOTE: See page 8 for available patterns and engravings; add material and finish to selected part number. See page 7 for dimensions “A” and “F.”



No of Positions	ABA147__	A	F	ENGRAVED FLAME EMBLEM	LOCATION AND PATTERN				
				DETAIL	1	2	3	4	5
2	QK701-__	11.41	4.578	W/O	A	A	---	---	---
	QK702-__	11.41	4.578	W/O	A	B	---	---	---
	QK703-__	11.41	4.578	W/O	A	C	---	---	---
	QK711-__	11.41	4.578	W/O	A	G	---	---	---
	QK716-__	16.95	10.7	H	A	A	---	---	---
	QK717-__	16.95	10.7	H	A	B	---	---	---
	QK718-__	16.95	10.7	H	A	C	---	---	---
	QK723-__	16.95	10.7	H	A	K	---	---	---
	QK728-__	10.7	1.88	M	A	A	---	---	---
	QK730-__	10.7	1.88	N	A	A	---	---	---

3-Position Faceplates

NOTE: See page 8 for available patterns and engravings; add material and finish to selected part number. See page 7 for dimensions “A” and “F.”



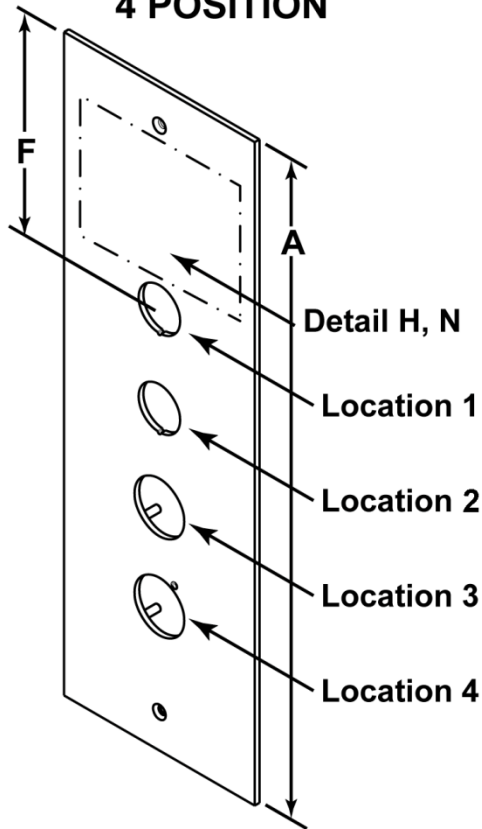
No of Positions	ABA147__	A	F	ENGRAVED FLAME EMBLEM	LOCATION AND PATTERN				
				DETAIL	1	2	3	4	5
3	QK704-__	13.25	4.375	W/O	A	A	B	---	---
	QK705-__	13.25	4.375	W/O	A	A	C	---	---
	QK706-__	13.25	4.375	W/O	A	B	C	---	---
	QK709-__	13.25	4.375	W/O	A	F	C	---	---
	QK712-__	13.25	4.375	W/O	A	A	G	---	---
	QK713-__	13.25	4.375	W/O	A	B	G	---	---
	QK719-__	19.69	11.19	H	A	A	B	---	---
	QK720-__	19.69	11.19	H	A	A	C	---	---
	QK721-__	19.69	11.19	H	A	B	C	---	---
	QK724-__	21.94	11.19	H	A	A	K	---	---
QK732-__	11.19	2.13	H	A	C	E	---	---	

4-Position Faceplates

32-AAA23500AN

NOTE: See page 8 for available patterns and engravings; add material and finish to selected part number. See page 7 for dimensions “A” and “F.”

4 POSITION



All Faceplates 5 in. Wide

5.0 in. Faceplate



Detail H

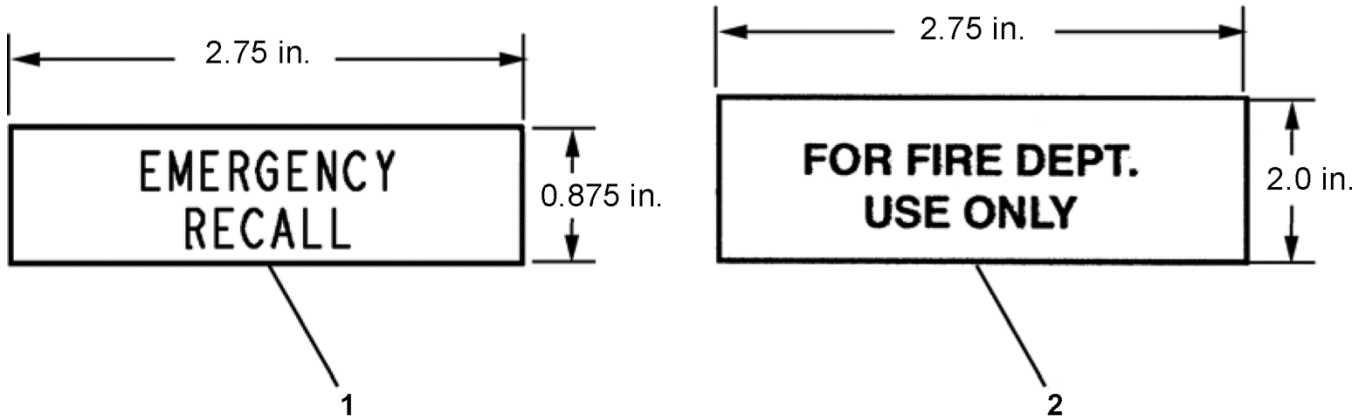
In Fire Emergency
Do Not Use Elevator



Use Exit Stairs

Detail N
(State of Florida)

No of Positions	ABA147__	A	F	ENGRAVED FLAME EMBLEM	LOCATION AND PATTERN				
				DETAIL	1	2	3	4	5
4	QK707-__	15.06	4.156	W/O	A	A	C	C	---
	QK710-__	15.06	4.156	W/O	A	A	F	C	---
	QK714-__	15.06	4.156	W/O	A	A	A	C	---
	QK722-__	21.97	11.19	H	A	A	B	C	---
	QK725-__	21.94	11.19	H	A	A	C	K	---
	QK726-__	21.94	11.19	H	A	A	A	K	---
	QK731-__	10.7	1.88	N	A	A	A	K	---
	QK733-__	11.19	2.13	H	A	A	C	E	---



REF. No.	PART No.		MATERIAL	CODE	DESCRIPTION
	AAA23500AN AAB23500AN	ABA23500AN ACA23500AN			
1	AAA102VB34	---	Clear Velvet Matte Polycarbonate	B44 SES	Plate, Instruction (EMERGENCY RECALL)
2	AAA102VB25		Stainless Steel, Brushed Mill 4	NYC Code	Plate, Instruction (FOR FIRE DEPT. USE ONLY)
	AAA102VB26		Stainless Steel, Brushed		
	AAA102VB27		Stainless Steel, Mirror		
	AAA102VB28		Bronze, Brushed		
	AAA102VB29		Bronze, Mirror		