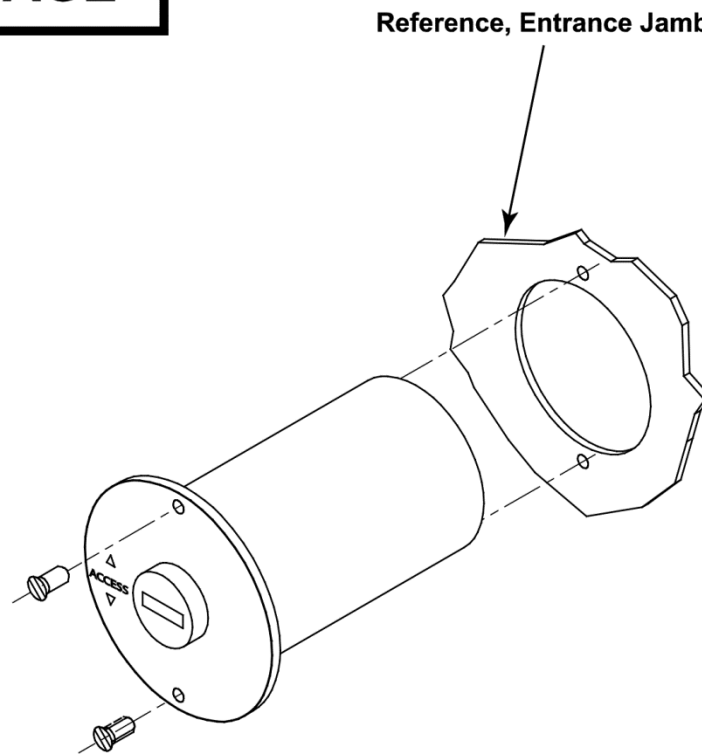


**Mod, Entrance Jamb  
Mounted Access  
Keyswitch**

**Spare Parts Leaflet  
32-AAA23500AP**

**June 29, 2016 / Page 1 of 5**

**W/O  
VINTAGE**



**OTIS**

**SERVICE ENGINEERING  
Otis Elevator Company  
Bloomfield, Connecticut USA**

Unpublished Work—© Otis Elevator Co.; 2016

**Leaflet Description**

This leaflet details the lowest replaceable units (LRUs) for a Mod product of entrance jamb mounted round access keyswitch. Field installation requires the jamb to be drilled and tapped for M3.5 mm screws.

**Leaflet Revisions**

<b>Date Revised</b>	<b>Subject Matter Expert</b>	<b>Reason for Revision</b>
March 3, 2010	Joseph Zych	New SPL
June 29, 2016	Joseph Zych	Added p/n AAA147QL999-___ to p. 4

**Related Drawings**

<b>Drawing No.</b>	<b>Title</b>	<b>Drawing No.</b>	<b>Title</b>
AAA23500AP	Assembly, Keyswitch Hall Station (Access)	ABA23500AP	Assembly, Keyswitch Hall Station (Access)
AAA147QL	Plate, Face, Round		

**Related Documents**

<b>Document ID</b>	<b>Title</b>

**Subject Matter Expert**

<b>Name</b>	<b>Department</b>
Joseph D. Zych	OSC Service Engineering

**About Spare Parts Leaflets...**

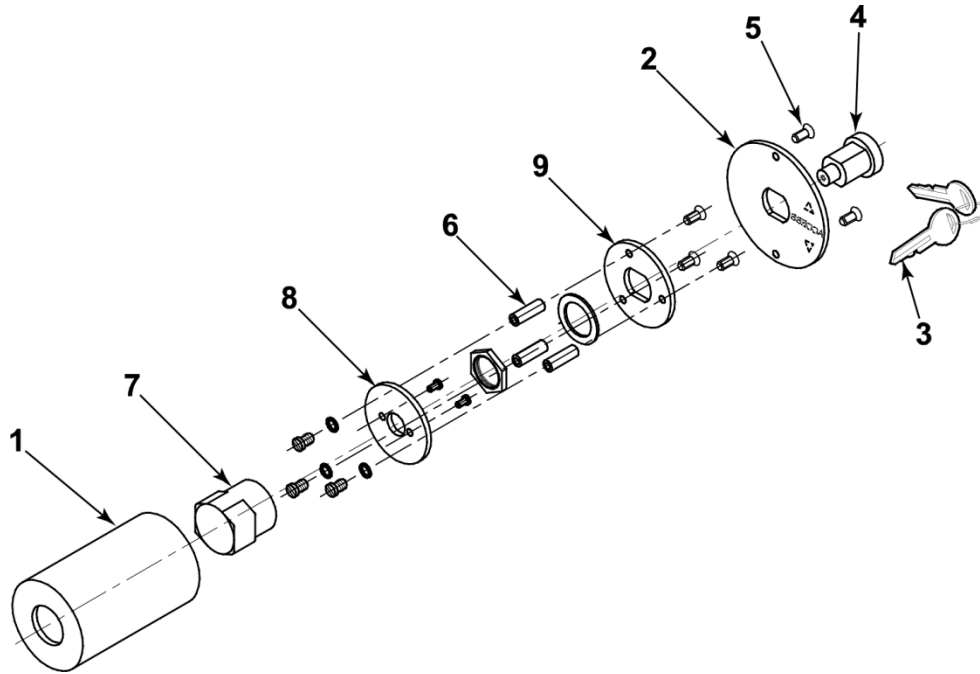
This document lists the lowest replaceable units (LRUs) for the standard version of the product. The LRUs are chosen by a team of Otis associates representing engineering and manufacturing.

While goal of this document is to make parts identification as easy as possible, the document cannot be all-inclusive. Elevator and escalator contracts classified as “special” or “custom” are not addressed here. For such contracts, please refer to specified information, the contract folder, TIPs, Field Education Articles, Construction Letters, etc. for further information.


If you have any suggestions about this document, please contact the subject matter expert listed on this page.

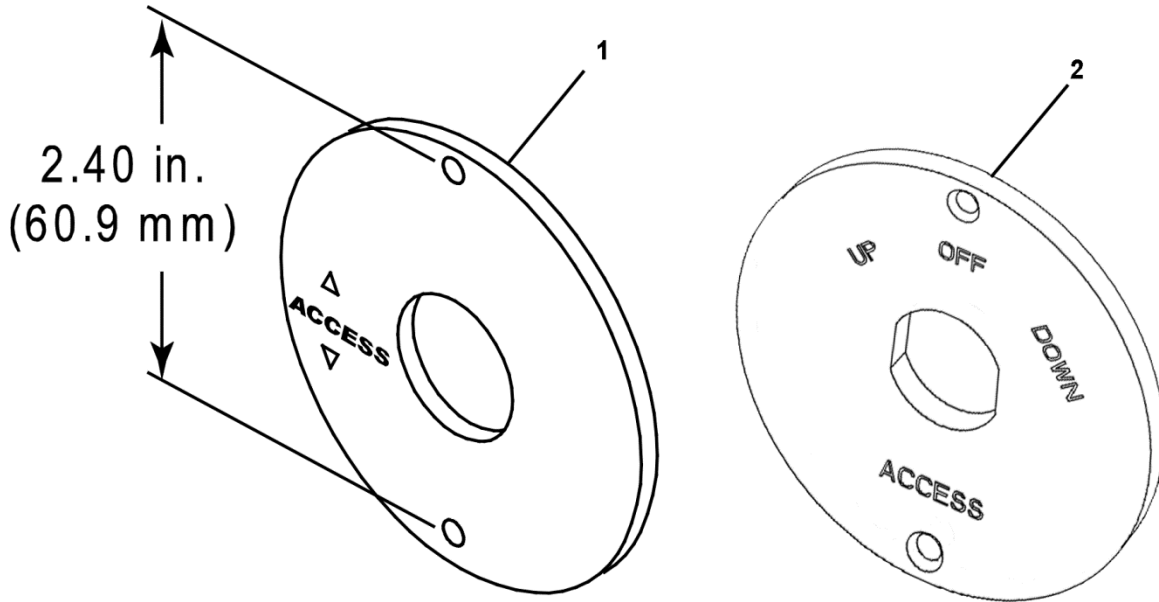
# Access Keyswitch Parts

**32-AAA23500AP**

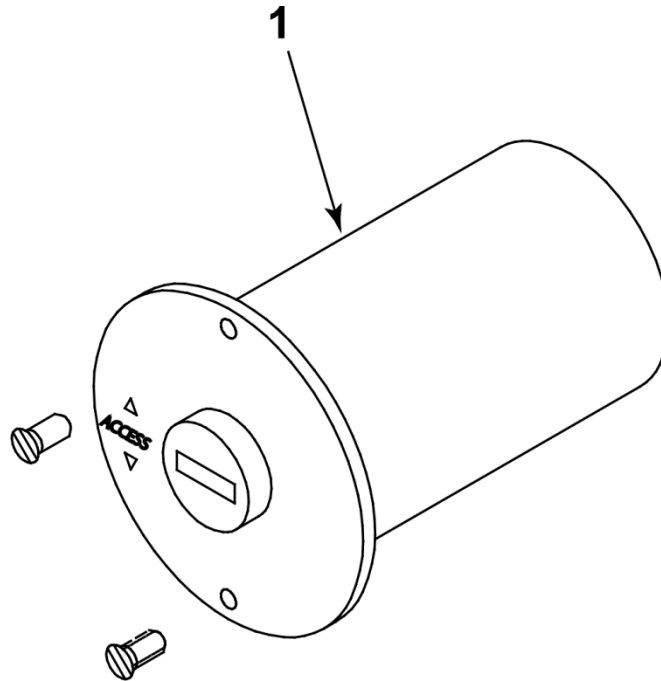


<b>AAA23500AP</b>	<b>ABA23500AP</b>
-------------------	-------------------

REF. No.	PART No.		DESCRIPTION			
1	AAA313CY1		Box, for Access Keyswitch,			
2	---		Faceplate,  p. 4			
3	6410W-UTE	---	Keys (2) for AAA431AP21 Keylock, <table border="1" data-bbox="1192 1163 1284 1209"> <tr> <td>ORDER</td> </tr> <tr> <td> </td> </tr> <tr> <td> </td> </tr> </table> AAA431AF27	ORDER		
	ORDER					
---	6410W-UTH	---	Keys, UTH (2) for AAA431AF27 Keylock			
4	AAA431AF21	---	Keylock with 2 Keys 6410W-UTE, Remove Center Position			
	---	AAA431AF27	Keylock with 2 Keys 6410W-UTH, Remove Center Position			
5	124DK28		Screw, M3,5, Tamper Resistant, Brass, Mirror Finish			
	124DK12		Screw, M3,5, Tamper Resistant, Brass, Brush Finish			
	124DK11		Screw, M3,5, Tamper Resistant, Stainless Steel, Brush Finish			
	124DK27		Screw, M3,5, Tamper Resistant, Stainless Steel, Mirror Finish			
6	354CD6		Standoff, Threaded, 0.75 in. L x 0.25 inch Diameter			
7	ABA636A2		Switch, Rotary			
8	AAA131EF1		Washer			
9	AAA131EF2		Washer			



REF. No.	DESCRIPTION	PART No.
1	Faceplate, Round, Engraved, Brass, Brushed Finish	AAA1 47QL2
	Faceplate, Round, Engraved, Brass, Mirror Finish	AAA147QL4
	Faceplate, Round, Engraved, Stainless Steel, Brushed Finish	AAA147QL1
	Faceplate, Round, Engraved, Stainless Steel, Mill 4 Finish	AAA147QL3
	Faceplate, Round, Engraved, Stainless Steel, Mirror Finish	AAA147QL5
	Faceplate, Round, Silk Screened, Brass, Brushed Finish	AAA147QL7
	Faceplate, Round, Silk Screened, Brass, Mirror Finish	AAA147QL9
	Faceplate, Round, Silk Screened, Stainless Steel, Brushed Finish	AAA147QL6
	Faceplate, Round, Silk Screened, Stainless Steel, Mill 4 Finish	AAA147QL8
	Faceplate, Round, Silk Screened, Stainless Steel, Mirror Finish	AAA147QL10
2	Faceplate, Round <b>NOTE:</b> Specify material and finish. For 2013 code.	AAA147QL999-__



REF. No.	DESCRIPTION			PART No.
	Item	Marking	Material	
1	Assembly, Access Keyswitch	Engraved, Black Paint Fill	Brass, Brushed	ABA23500AP2
			Brass, Mirror	ABA23500AP4
			Stainless Steel, Brushed	ABA23500AP1
			Stainless Steel, Mill 4	ABA23500AP3
			Stainless Steel, Mirror	ABA23500AP5
		Silk Screened Black Paint Fill	Brass, Brushed	ABA23500AP7
			Brass, Mirror	ABA23500AP9
			Stainless Steel, Brushed	ABA23500AP6
			Stainless Steel, Mill 4	ABA23500AP8
			Stainless Steel, Mirror	ABA23500AP10

**NOTE:** Field is required to drill and tap jamb when installing these units.