

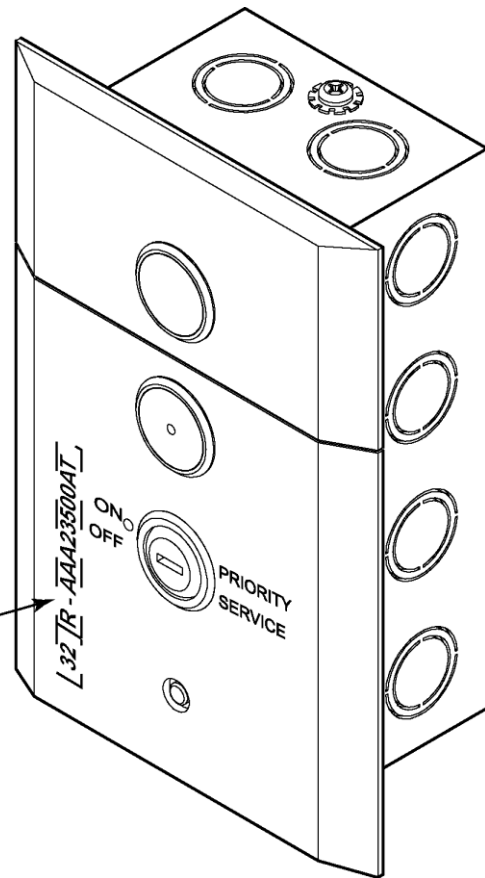
Luxury Fixtures – Series 4
Hall Panel Assembly

Spare Parts Leaflet

32-AAA23500AT

March 1, 2023 / Page 1 of 7

- 32 R - AAA23500AT
- 32 R - AAB23500AT
- 32 R - ACA23500AT
- 32 H - ACB23500AT
- 32 R - ADA23500AT



This document does not contain any technical data subject to EAR or ITAR

SERVICE ENGINEERING

Otis Elevator Company

Bloomfield, Connecticut USA

Unpublished Work—© Otis Elevator Co.; 2023

Leaflet Description

A luxury hall panel fixture for either the Series 3 micro-motion, vandal-resistant button, or the Series 2 motionless button. In 2009, Otis made a decision to obsolete the AAA23500AK, BY, and CC 24 volt buttons. They are directly replaced by the AAA23500CH buttons.

Leaflet Revisions

Date Revised	Subject Matter Expert	Reason for Revision
August 1, 1997	Jeff Costley (Technical Writer)	New SPL
August 20, 2008	Joseph Zych	Updated to latest ADA23500AT drawing pp 4–6.
January 5, 2009	Joseph Zych	Update p. 4 RS-14 PCB and holder part numbers.
March 26, 2009	Joseph Zych	P. 3 button types AAA23500AK, BY, and CC superseded by button type AAA23500CH.
July 21, 2010	Joseph Zych	p. 5 update part numbers, correct division lines
September 22, 2010	Joseph Zych	Corrected all instance of A..25300AT to A..23500AT, corrected p. 5 incorrect p/n.
February 8, 2023	Vadzim Fedarenka	Updated history page
March 1, 2023	Vadzim Fedarenka	Corrected SPL number on p. 6

Related Drawings

Drawing No.	Title	Drawing No.	Title
AAA23500AT	Hall Panel Assembly	AAB23500AT	Hall Panel Assembly
ACA23500AT	Hall Panel Assembly	ACB23500AT	Hall Panel Assembly
ADA23500AT	Hall Panel Assembly		

Related Documents

Document ID	Title
SPL 31-AAA23500AK	Micro-Motion III Button
SPL 31-AA23500AQ	Motionless II Button
SPL 32-AAA23500CH	Micro-Motion III Button, 24 V
Order Form SU12-116	Series 4 Hall Station Fixtures, Micro-Motion III
SPL 32-AAA26ZA	Luxury Fixture—Part, Hall Panel Engravings

Subject Matter Expert

Name	Department
Vadzim Fedarenka	OSC Service Engineering

About Spare Parts Leaflets...

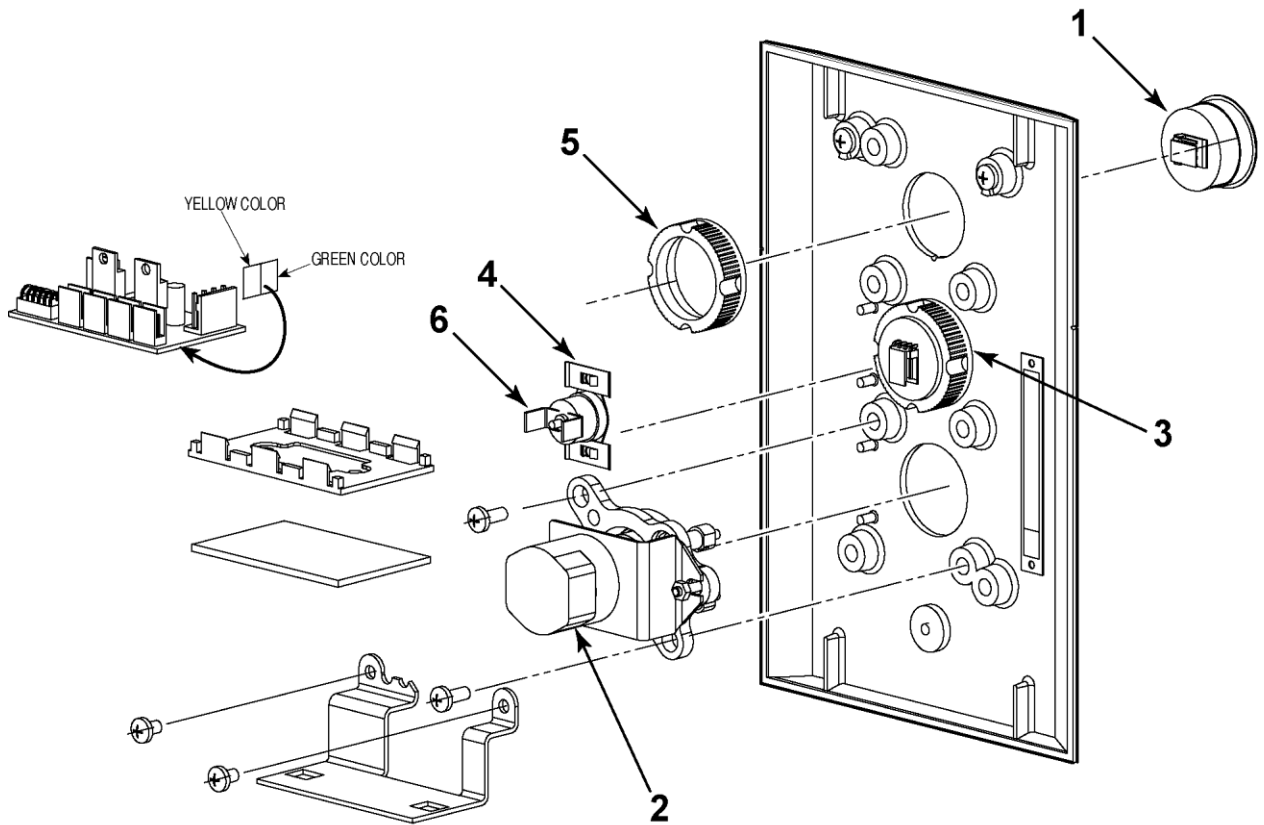
This document lists the lowest replaceable units (LRUs) for the standard version of the product. The LRUs are chosen by a team of Otis associates representing engineering and manufacturing.

While goal of this document is to make parts identification as easy as possible, the document cannot be all-inclusive. Elevator and escalator contracts classified as “special” or “custom” are not addressed here. For such contracts, please refer to specified information, the contract folder, TIPs, Field Education Articles, Construction Letters, etc. for further information.

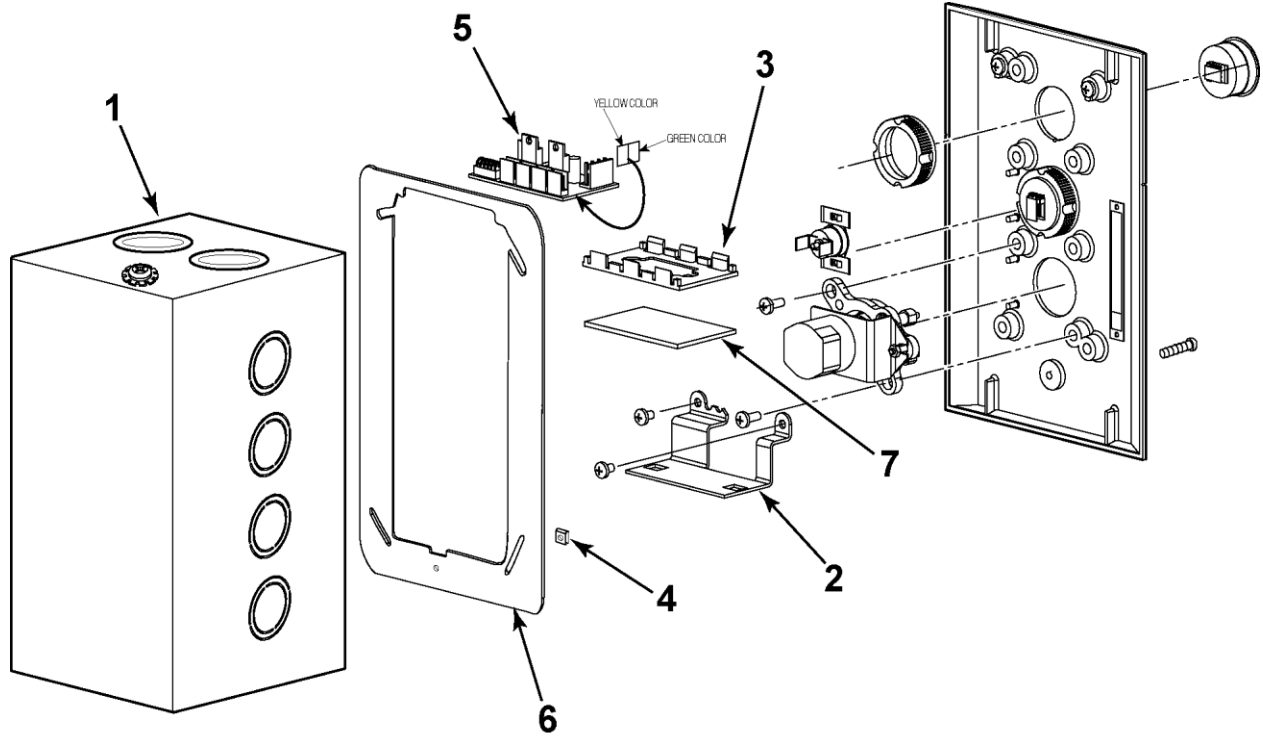
If you have any suggestions about this document, please contact the subject matter expert listed on this page.

Buttons and Keyswitches

32-AAA23500AT



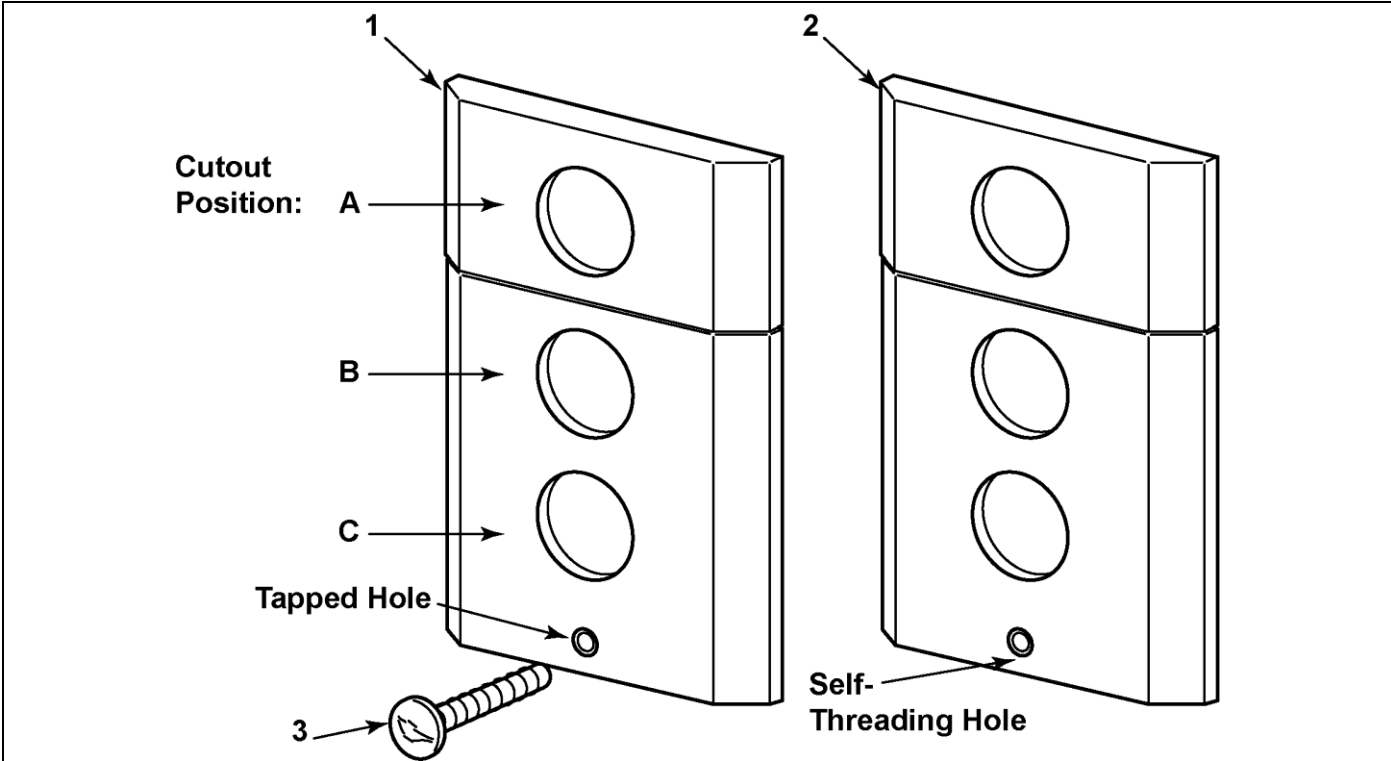
ALL VINTAGES		
REF. No.	PART No.	DESCRIPTION
1	---	Buttons, Micromotion III, Luxury, Type AAA23500AK
	---	Buttons, Micromotion III, Luxury, Type AAA23500BY
	---	Buttons, Micromotion III, Luxury, Type AAA23500CC
	---	Buttons, Micromotion III, Luxury, Type AAA23500CH, 👁️ SPL 32-AAA23500CH
	---	Pushbutton, Vandal-Resistant, Micro-Motion III, Type AAA23500AM, 👁️ SPL 31-AAA23500AK
	---	Pushbutton, Motionless II (for ETO only), Type AAA23500AQ, 👁️ SPL 31-AAA23500AQ
2	---	Keyswitch Assemblies, 👁️ Also SPL 31-AAA23500F
3	---	Phone Jack Assemblies, 👁️ Also SPL 31-AAA23500T
4	72CE5	Nut, Speed, 🗑️ Motionless Button
5	FAA72N1	Ring, Button Locking
6	AAA00177AAD001	Switch, Thermal, 🗑️ Motionless Button



ALL VINTAGES		
REF. No.	PART No.	DESCRIPTION
1	309BN13	Box, Gang
2	AAA316FSR2	Bracket
3	FBA316SL1	Holder, PC Board
4	72BX16	Nut, Speed
5	GDA25005B1	PC Board, Remote Station-14
6	AAA386KTC3	Plate, Top
7	AAA26YC8	Tape (cut to 0.75 x 2.60 in.)

Faceplates

32-AAA23500AT



	AAA23500AT	ALL OTHER VINTAGES			
REF. No.	1	2	PLATING	FINISH	FACEPLATE
Refer to Column Heading	PART No.				
	AAA147PJ1 →	AAA147PJ33	St. Steel	Brushed	Blank
	AAA147PJ2 →	AAA147PJ34	St. Steel	Mirror	
	AAA147PJ3 →	AAA147PJ35	Brass	Brushed	
	AAA147PJ4 →	AAA147PJ36	Brass	Mirror	
	AAA147QM1 →	AAA147QM9	St. Steel	Brushed	Terminal Fixture, Cutout Position A
	AAA147QM2 →	AAA147QM10	St. Steel	Mirror	
	AAA147QM3 →	AAA147QM11	Brass	Brushed	
	AAA147QM4 →	AAA147QM12	Brass	Mirror	
	AAA147QM5 →	AAA147QM13	St. Steel	Brushed	
	AAA147QM6 →	AAA147QM14	St. Steel	Mirror	Intermediate Fixture, Cutout Positions A & B
	AAA147QM7 →	AAA147QM15	Brass	Brushed	
	AAA147QM8 →	AAA147QM16	Brass	Mirror	
	AAA147QM999 →	AAA147QM995	St. Steel	Brushed	Contract Specified See Special Instructions on pp 6
	AAA147QM998 →	AAA147QM994	St. Steel	Mirror	
AAA147QM997 →	AAA147QM993	Brass	Brushed		
AAA147QM996 →	AAA147QM992	Brass	Mirror		
3	AAA00124AAF002		Screw, Tamper Resistant, Stainless Steel, Mirror Finish		
	AAA00124AAF003		Screw, Tamper Resistant, Stainless Steel Brushed Finish		
	AAA00124AAF004		Screw, Tamper Resistant, Bronze, Mirror Finish		
	AAA00124AAF005		Screw, Tamper Resistant, Bronze, Brushed Finish		

Engraved Faceplates

**** SPECIAL INSTRUCTIONS ****
Ordering of Engraved Faceplate

Part numbers AAA147QM992 through AAA147QM995 require specifying location of hole, cutout detail, and engraving detail to identify a unique part. They require manual order handling. Xerox this page using it to place your orders. Follow the instructions given and send the completed form to your Otis Service Center Customer Support coordinator.

Date _____

Contract Number _____

Customer Order Number _____
(order number to be filled in by OSC)

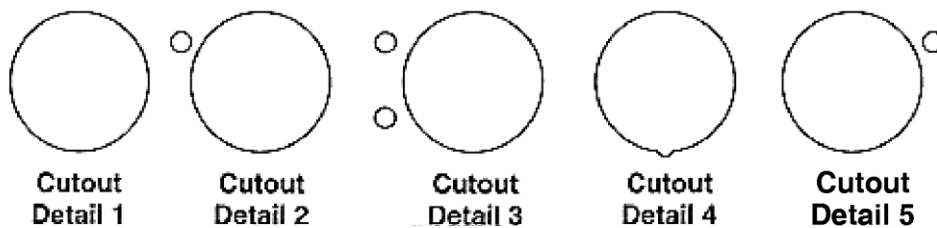
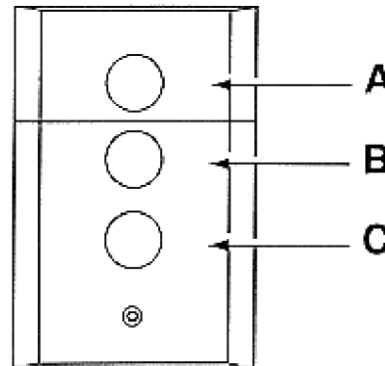
If needed, order p/n DIN7500CM4X6-Z-Z, M4 x 6 thread-forming screws (indicate quantity).

NOTE: These screws are for mounting keyswitches on the back.

Qty. of Faceplates	Base Part No.	Faceplate Finish
	AAA147QM995	Stainless Steel, Brushed
	AAA147QM994	Stainless Steel, Mirror
	AAA147QM993	Brass, Brushed
	AAA147QM992	Brass, Mirror

Determine the cutout details below and engraving details from the listing on page 6. Indicate them in the positions provided.

Hole Location	Engraving Detail See SPL 32-AAA26ZA	Cutout Detail No.	Cutout Size (mm)
A	_____	_____	---
B	_____	_____	---
C	_____	_____	30 or 33



- For 'C' location: specify 30 mm or 33 mm cutout. There have been known contracts using engraved collar keyswitches.

Engraving Details

32-AAA23500AT

Feature of Buttons/Keyswitches	Cutout Detail #	Engraving Detail See SPL 32-AAA26ZA
Group Related Buttons/Keyswitches:		
Button (position A and/or B only)	4	---
Express Priority Service	2	1
Standby Power	3	6
Express Priority Service (ETO)	2	18
SES Phase 1 (ANSI 1987, CA, PA)	2	3
SES Phase 1 (B44 Man. Emerg. Recall)	2	28
SE Phase 1 (B44 Auto Emerg. Recall)	3	29
SES Phase I (CT)	2	3
SES Phase 1 (SC)	1	44
Emergency Medical Service (MA)	1	32
Emerg. Power (B44 Elevator Emergency Power)	3	31
Fire Service Phone Jack (ANSI)	1	35
Fire Service Phone Jack (B44)	1	36
Per-Car Related Keyswitches:		
Car-To-Landing	1	5
Car-To-Landing (ETO)	1	19
Car Park	1	38
Independent Service-Hall	1	43
Emerg, Medical Service (MA)	1	32
Group Related Keyswitches:		
Group Security	2	2
Standby Power	3	6
Group Security (ETO)		18
SES Phase 1 Remote (ANSI 1987, CA & PA)	2	25
SES Phase 1 Remote (B44 Manual Emerg. Recall)	2	28
SES Phase 1 Remote (B444 Auto Emerg. Recall)	3	29
SES Phase 1 Remote (CT)	2	25
Emerg. Power (B44 Elevator Emerg. Power)	3	31
Hall Call Cutoff - Group	1	39
Car Call Cutoff - Group	1	40
Emergency Medical Service (Massachusetts)	1	32
Fire Service Phone Jack (ANSI)	1	35
Fire Service Phone Jack (1344)	1	36
Dual Group Operation	1	41
Separate Riser Operation	1	42