

**Low Profile
Extended Hall Station
Assembly**

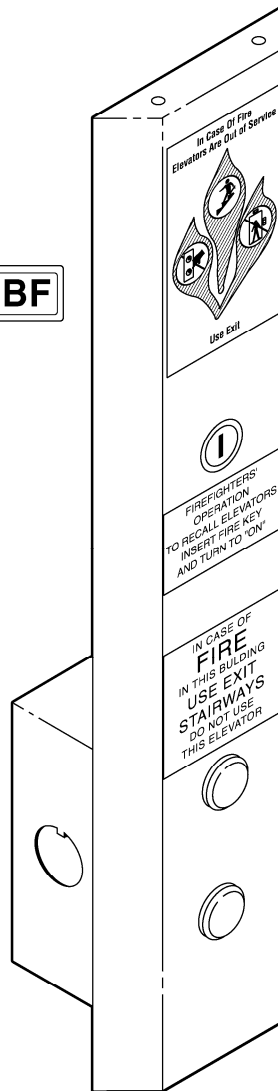
Spare Parts Leaflet

32-AAA23500BF

September 17, 2003 / Page 1 of 6

Supersedes SPL 32-AAA23500BF Dated April 1, 2000

32 R-AAA23500BF



OTIS

Safety First!

**SERVICE ENGINEERING
Otis Elevator Company
Bloomfield, Connecticut USA**

Leaflet Description

This leaflet provides spare parts information for the low profile extended hall station assembly type AAA23500BF.

Leaflet Revisions

Date Revised	Subject Matter Expert	Reason for Revision
April 1, 2000	Steve Karvazy	New SPL
September 17, 2003	Lisa K. Mitchell	Add new parts pp. 3 and 4

Related Drawings

Drawing No.	Title	Drawing No.	Title
AAA23500BF	Hall Button Assembly Low Profile Extended Hall Stations	AAA147RG	Faceplate

Related Documents

Document ID	Title
SPL 32-AAA23500BE	Flat Hall Station Assembly
SPL 32-AAA23500BG	Surface Mount Extended Hall Station Assembly
SPL 31-AAA23500AK	Fixture–Part, Luxury, Modular Micro-Motion III Pushbutton
SPL 31-AAA23500F	Luxury Fixtures, Keyswitch Assemblies, Light Rings, & Engraved Collars
SPL 31-AAA23500T	Phone Jack Assembly

Subject Matter Expert

Name	Department
Lisa K. Mitchell	OSC Service Engineering

About Spare Parts Leaflets...

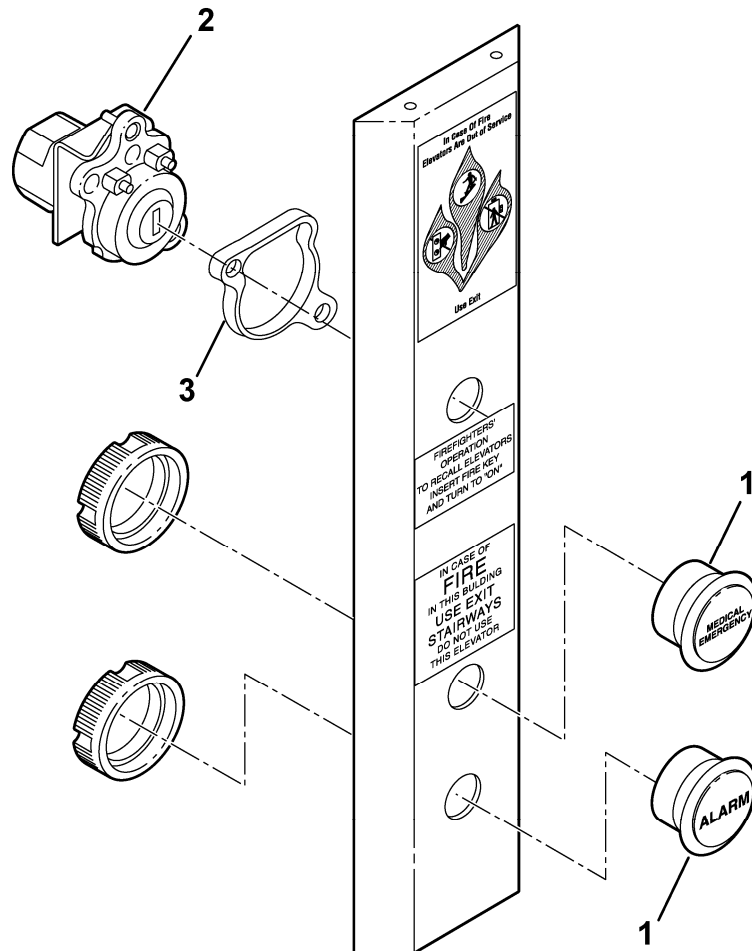
This document lists the lowest replaceable units (LRUs) for the standard version of the product. The LRUs are chosen by a team of Otis associates representing engineering and manufacturing.

While goal of this document is to make parts identification as easy as possible, the document cannot be all-inclusive. Elevator and escalator contracts classified as “special” or “custom” are not addressed here. For such contracts, please refer to specified information, the contract folder, TIPs, Field Education Articles, Construction Letters, etc. for further information.

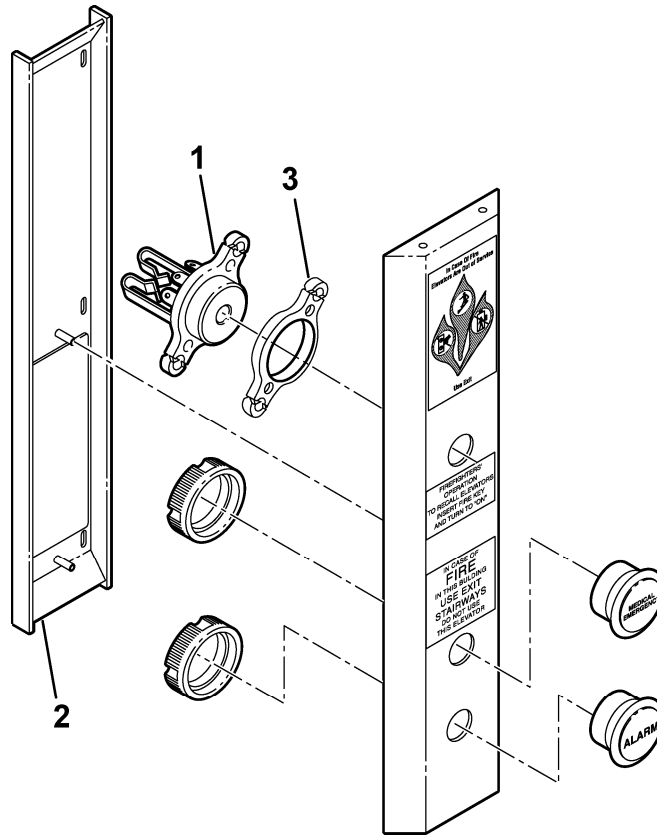
If you have any suggestions about this document, please contact the subject matter expert listed on this page.


Buttons & Keyswitches

32-AAA23500BF



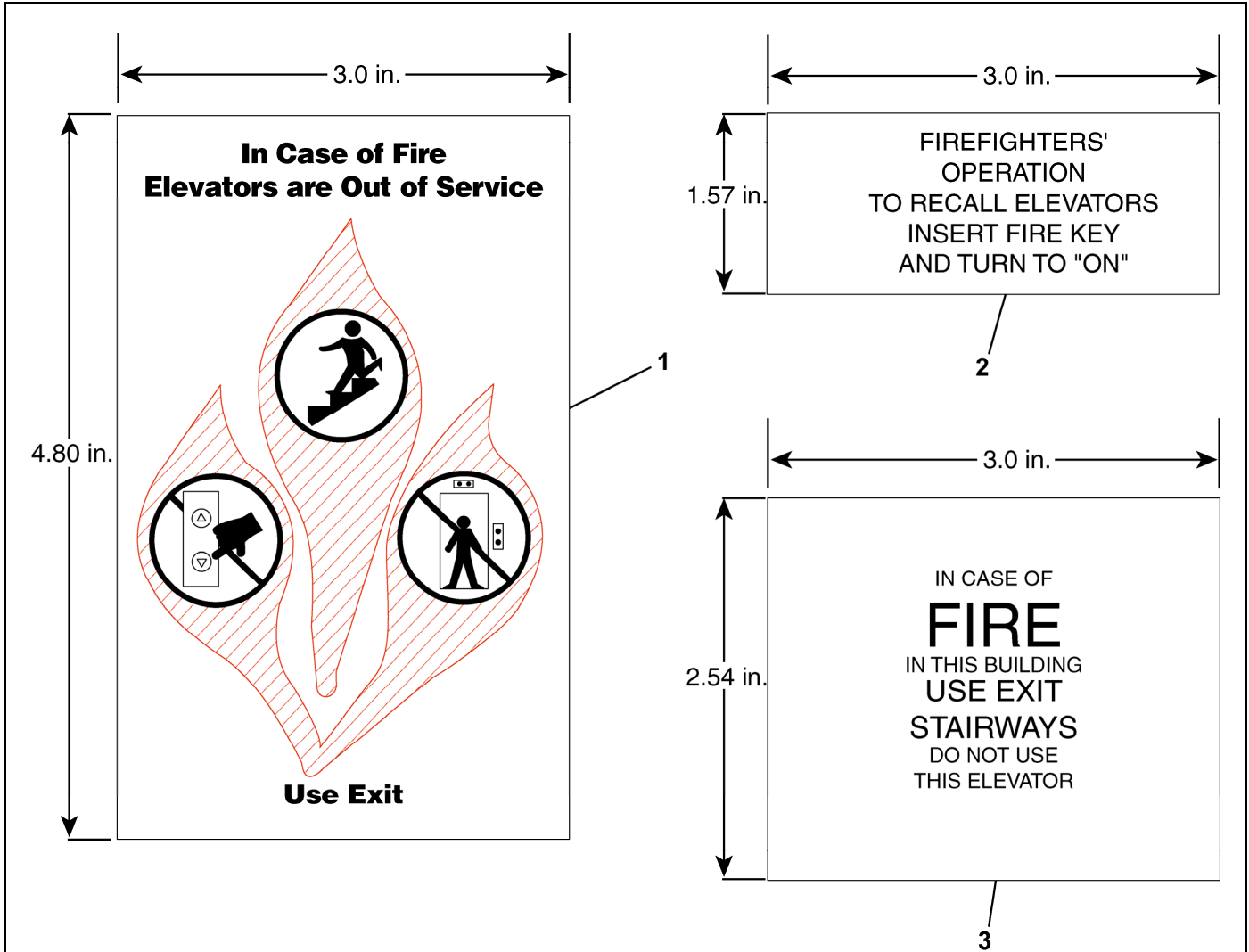
AAA23500BF		
REF. NO.	PART No.	DESCRIPTION
1	---	Button, Micromotion III, Vandal Resistant, Amber LED Illumination, Type AAA23500AM, SPL 31-AAA23500AM
	---	Button, Micromotion III, Luxury, Amber LED Illumination, Type AAA23500AK, SPL 31-AAA23500AK
2	---	Keyswitch Module, w/Engraved Collar, Type AAB23500G, SPL 31-AA23500F
	---	Keyswitch Module, SES Northeast Lock, Type AAB23500W, SPL 31-AA23500F
	---	Keyswitch Module, Conn. SES, Type AAB23500K, SPL 31-AA23500F
	---	Keyswitch Module, Integral Lock & Switch, SES, Type AAA23500AD, SPL 31-AAA23500F
3	AAA462JS1	Spacer, Color = White, 1,5 mm Thick
	AAA462JS2	Spacer, Color = Yellow, 6.0 mm Thick



AAA23500BF			
REF. NO.	PART No.	DESCRIPTION	
1	AAA23500T6	Assembly, Phone Jack, Black (for NAA only)	 SPL 31-AAA23500T
	AAA23500T8	Assembly, Phone Jack, Red (for Canada only)	
2	AAA386LAQ1	Plate, Mounting	
3	AAA462JR1	Spacer, Color: White, 1.5 mm Thick	
	AAA462JR2	Spacer, Color: Yellow, 6.0 mm Thick	

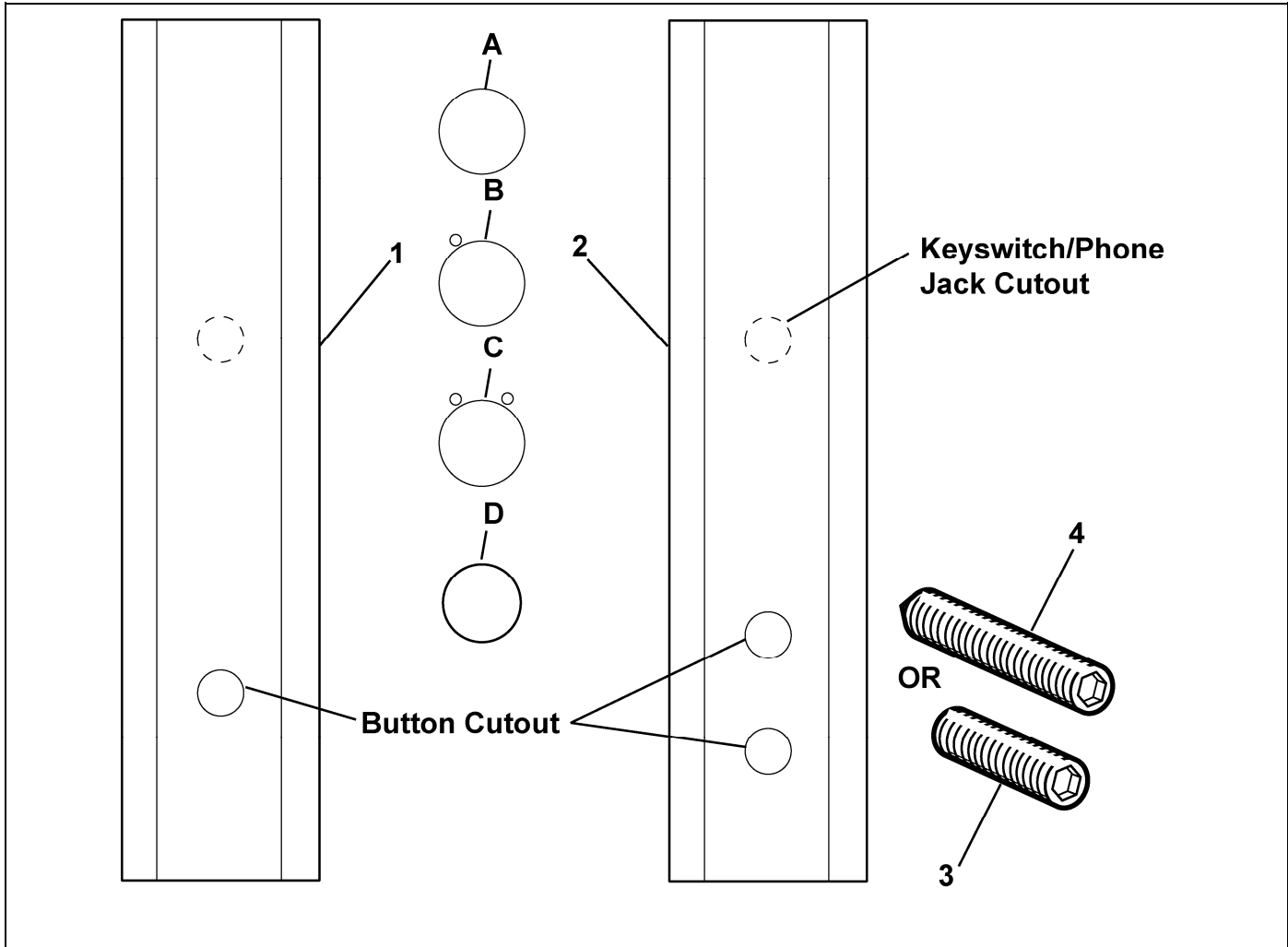
Firefighters' Instructions Plates

32-AAA23500BF



AAA23500BF		DESCRIPTION: Plate, Instruction		
REF. NO.	PART No.		MATERIAL	FINISH
1	AAA102VB48	ANSI Flame ASME A17.1/CAN B44 2000	Stainless Steel	SS4
	AAA102VB66			MF4
	AAA102VB49		Bronze	BR7
	AAA102VB67			MF7
2	AAA102VB44	Firefighter's Instructions ANSI A17.1 Rule 211.7(a), Barclay California Code Title 8 Sec. 3041(4)	Stainless Steel	SS4
	AAA102VB62			MF4
	AAA102VB45		Bronze	BR7
	AAA102VB63			MF7
3	AAA102VB46	Massachusetts Evacuation Instructions	Stainless Steel	SS4
	AAA102VB64			MF4
	AAA102VB47		Bronze	BR7
	AAA102VB65			MF7

Type AAA147RG Faceplate



		AAA23500BF	
REF. NO.	PART No.	DESCRIPTION: Faceplate	
1	---	AAA147RG1-__*	Without Keyswitch Cutout
	A	AAA147RG2-__*	Keyswitch Engraved Collar w/o LED, \varnothing 33.1 mm
	B	AAA147RG3-__*	Keyswitch Engraved Collar w/1 LED, \varnothing 33.1 mm
	C	AAA147RG4-__*	Keyswitch Engraved Collar w/2 LEDs, \varnothing 33.1 mm
	D	AAA147RG5-__*	Firemen's Phone Jack, \varnothing 30.1 mm
2	---	AAA147RG6-__*	Without Keyswitch Cutout
	A	AAA147RG7-__*	Keyswitch Engraved Collar w/o LED, \varnothing 33.1 mm
	B	AAA147RG8-__*	Keyswitch Engraved Collar w/1 LED, \varnothing 33.1 mm
	C	AAA147RG9-__*	Keyswitch Engraved Collar w/2 LEDs, \varnothing 33.1 mm
	D	AAA147RG10-__*	Firemen's Phone Jack, \varnothing 30.1 mm
3	---	Screw, Set, M4X12 Hexagon Socket, w/Cone Point	
4	---	Screw, Set, M4X20 Hexagon Socket, w/Cone Point	

* When ordering, indicate brushed stainless steel (SS4), Mill 4 stainless steel (MF4), brushed and lacquered brass (BR7), or Mill 7 brushed and lacquered brass (MF7) material/finish, e.g. AAA147RG1-SS4.