

Hall Station

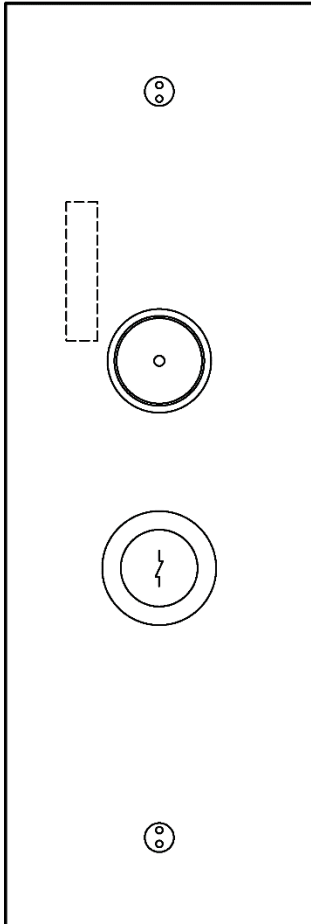
Narrow, Flat, and Jamb

Spare Parts Leaflet

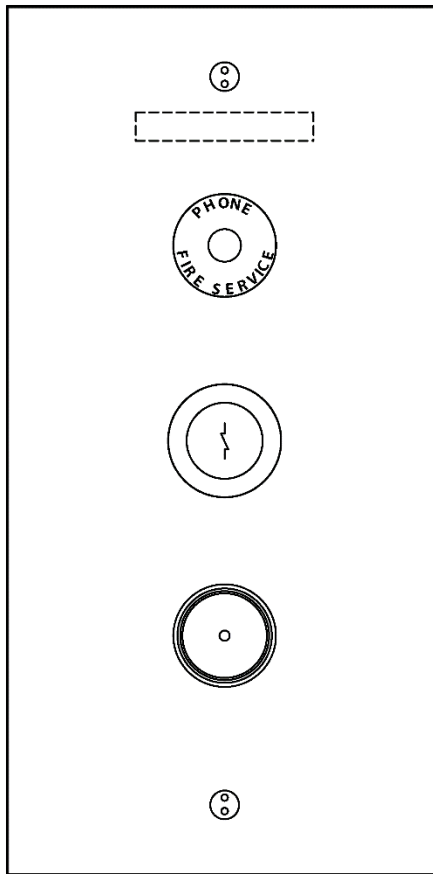
32-AAA23500BT

March 15, 2023 / Page 1 of 11

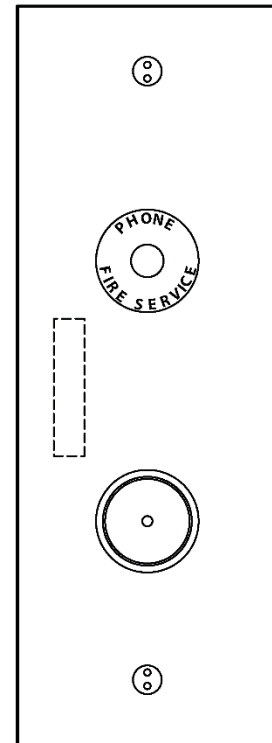
32 C - AAA23500BT



Narrow Hall Station
89 mm W x 267 mm H



Flat Hall Station
127 mm W x Variable H



Jamb Hall Station
76 mm W x 140 mm H
(1 fixture) Not Shown
76 x 216 mm H
(2 fixtures) shown

OTIS

This document does not contain any technical data subject to EAR or ITAR

SERVICE ENGINEERING
Otis Elevator Company
Bloomfield, Connecticut USA

Unpublished Work—© Otis Elevator Co.; 2023

32-AAA23500BT

History

Leaflet Description

This leaflet provides spare part information for the narrow, flat, and jamb hall station assemblies type AAA23500BT.

Leaflet Revisions

Date Revised	Subject Matter Expert	Reason for Revision
April 25, 2005	Joseph Zych	New SPL
January 27, 2010	Joseph Zych	p. 3 changed/added parts/descriptions. New pp. 8 and 9.
April 20, 2016	Joseph Zych	p.9 corrected typo error
July 3, 2019	Joseph Zych	Updated Ref. 5 on p. 8
March 24, 2021	Vadzim Fedarenka	<ul style="list-style-type: none">• New descriptions on p. 3• ECF, fire service & emergency power hall station on p. 9• Terminal / intermediate landing w/ position indicator & 1 / 2 buttons• Four pushbuttons SPLs on p. 2• Updated Note on p. 3• AAA174YL24 cable (Fig. 8) p. 11• DAA26800Q1 PC board Ref. 3, p. 4• Ref. 6, p. 9
March 31, 2021	Vadzim Fedarenka	Corrected cable p/n in Ref. 5 on p. 11
March 15, 2023	Vadzim Fedarenka	Corrected p/n in Ref. 3 on p. 10

Related Drawings

Drawing No.	Title	Drawing No.	Title
AAA23500BT	Assembly, Hall Station		

Related Documents

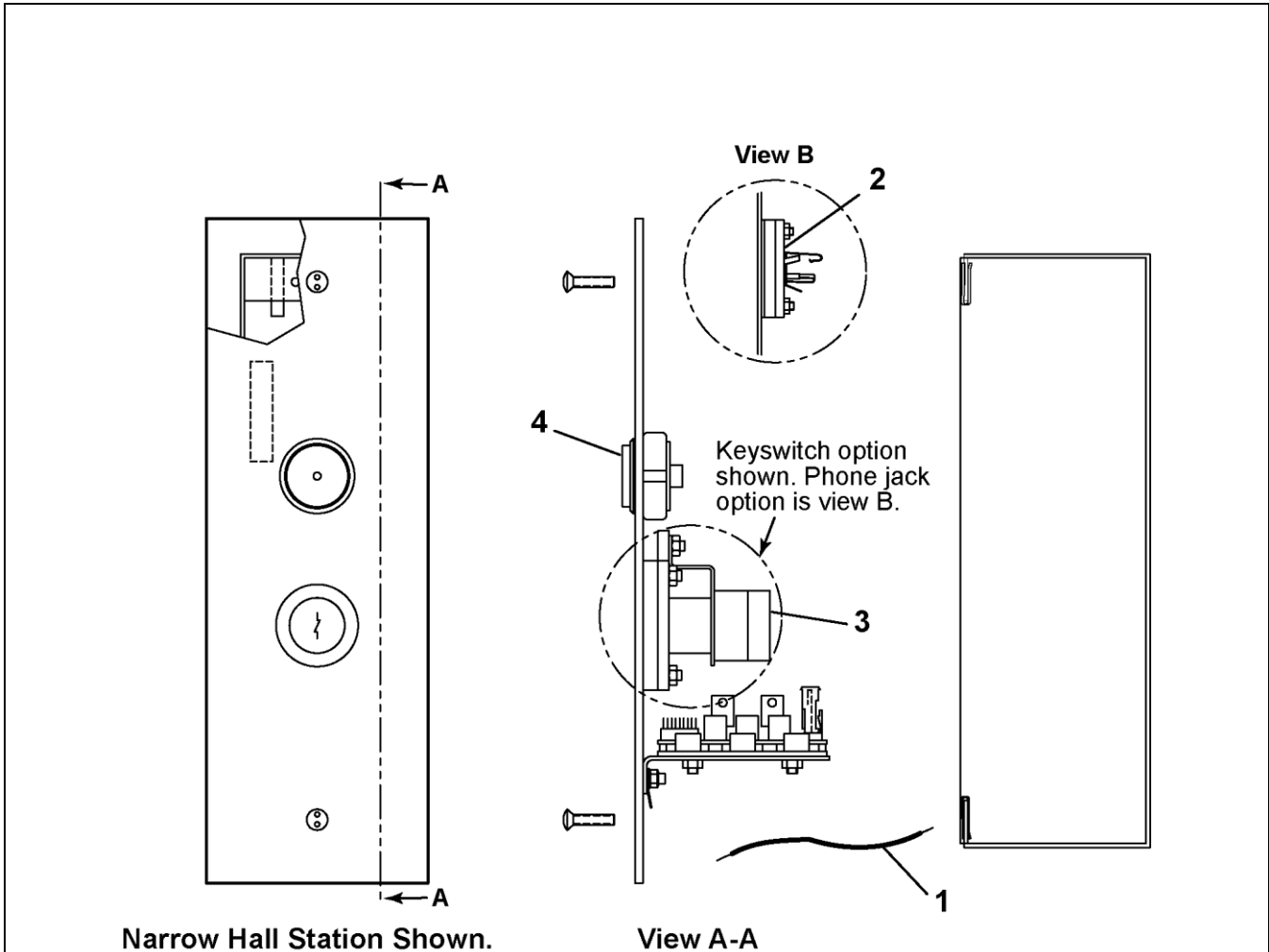
Document ID	Title
SPL 32-AAA147QS	Faceplate, Flat (for Modernization Hall Panels)
SPL 32-AAA147QT	Faceplate, Narrow (for Modernization Hall Panels)
SPL 32-AAA147QU	Faceplate, Jamb Mounted (for Modernization Hall Panels)
SPL 31-AAA23500T	Phone Jack Assembly
SPL 31-AAA23500AL	Jewel
SPL 31-AAA23500F	Keyswitch Assemblies Light Ring & Engraved Collar Version
SPL 31-AAA23500AK	Micro-Motion 3 Pushbutton
SPL 31-AAA174YL	Wiring Harness, Hall Option
SPL 32-AAA23500CH	Pushbutton, Luxury Micro-Motion III
SPL 32-AAA323DY	Pushbutton, Luxury Micro-Motion III
SPL 32-AAA323DZ	Pushbutton, Luxury Micro-Motion III (Vandal Resistant)
SPL 32-AAA323EA	Pushbutton, Luxury Micro-Motion III

Subject Matter Expert

Name	Department
Vadzim Fedarenka	OSC Service Engineering

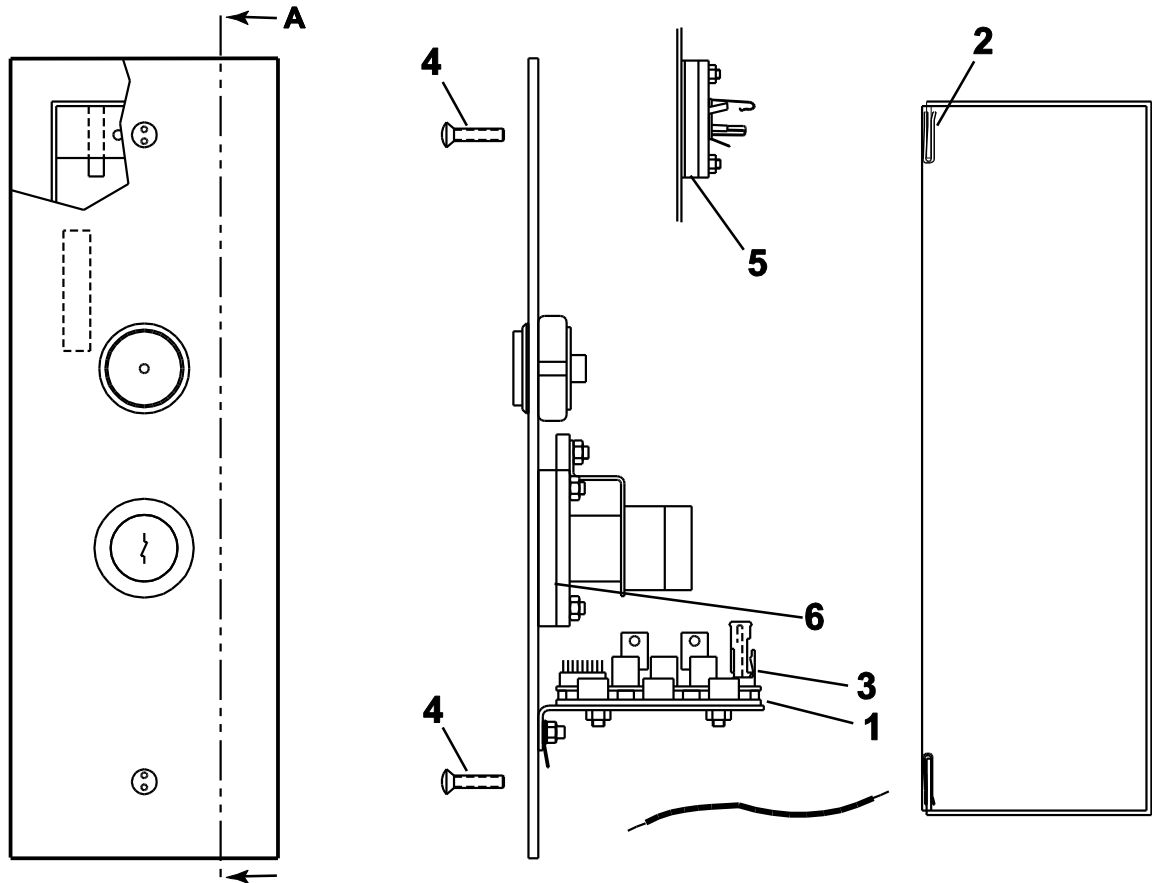
Hall Stations Common Parts

32-AAA23500BT



AAA23500BT			
REF. No.	PART No.	DESCRIPTION	SPL
1	AAA00175AAB115	Cable, Ground	---
2	---	Fixture, Fire Service Phone Jack	31-AAA23500T
3	---	Fixture, Jewel (not shown)	31-AAA23500AL
		Fixture, Keyswitch (shown)	31-AAA23500F
		AAA323DY Pushbutton, Luxury Micro-Motion III	32-AAA323DY
		AAA323DZ Pushbutton, Vandal Resistant Micro-Motion III	32-AAA323DZ
		AAA23500CH Pushbutton, Luxury, Micro-Motion III, 24VDC	32-AAA23500CH
		AAA323EA Pushbutton, Luxury Micro-Motion III, 24VDC	32-AAA323EA

Continued on Next Page



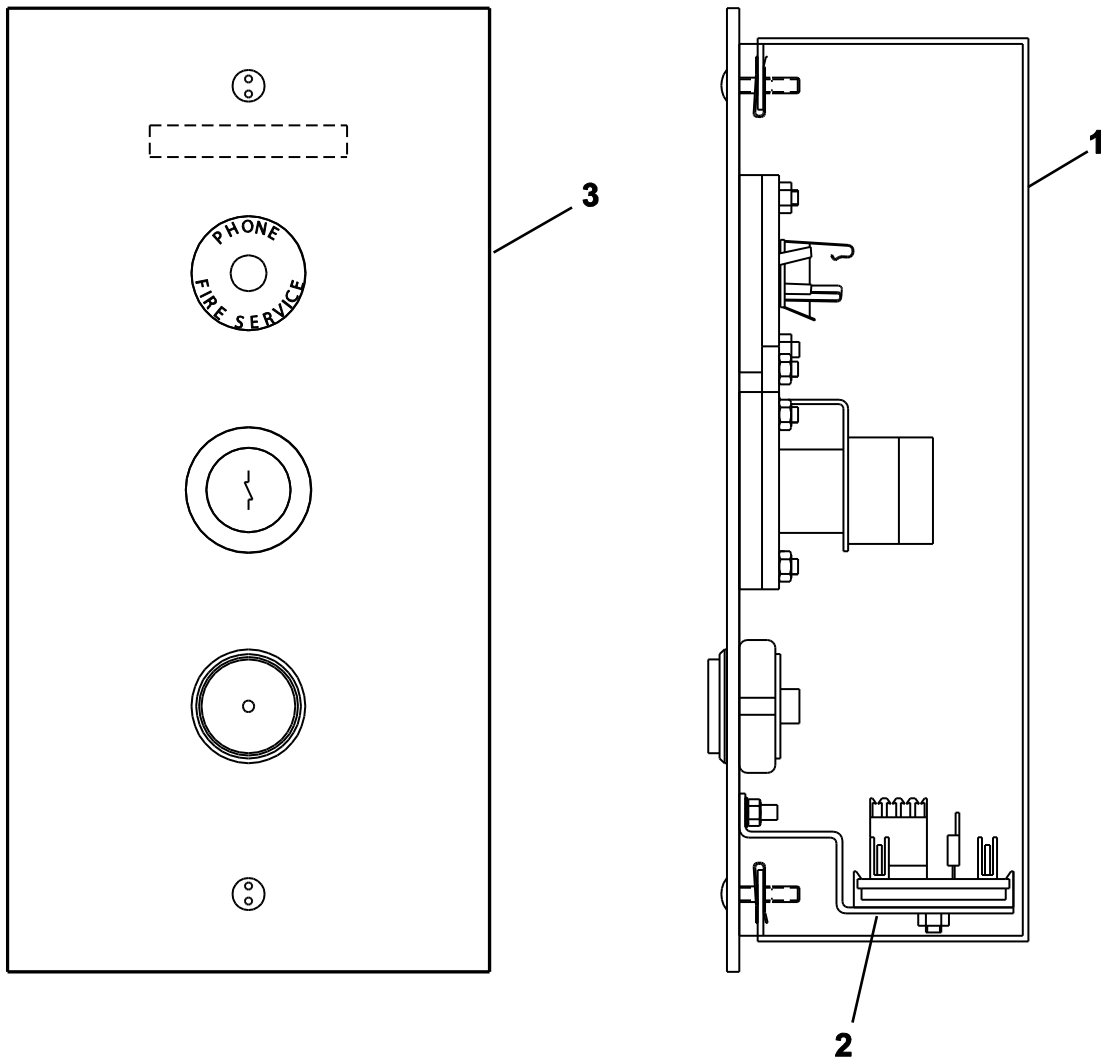
Narrow Hall Station Shown.


View A-A

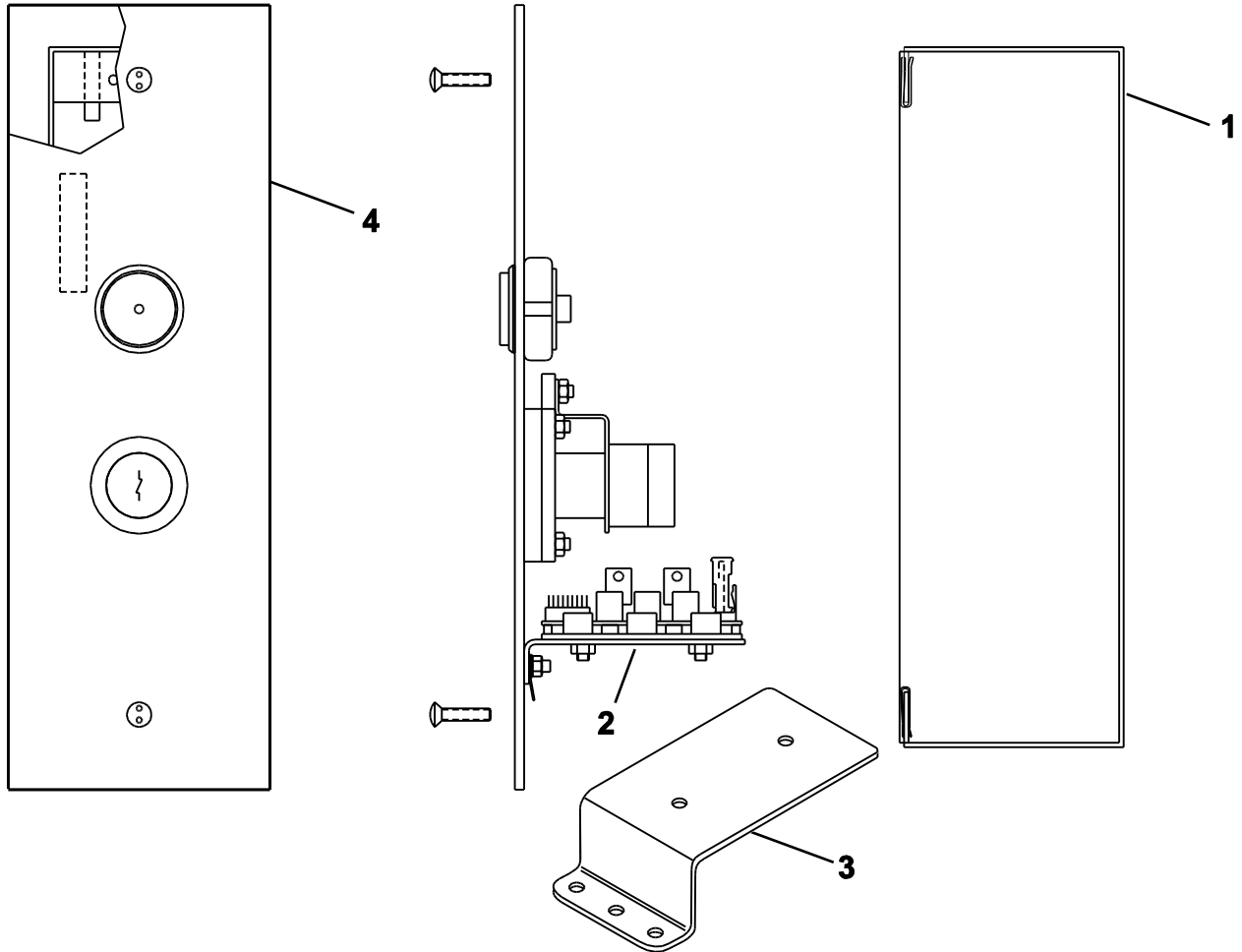
AAA23500BT		
REF. No.	PART No.	DESCRIPTION
1	FAA316SL1	Holder, PC Board (remote station)
2	72BX7	Nut, Speed
3	GDA25005B1	PC Board, Remote Station (RS14)
	DAA26800Q1	PC Board, CAN Application (CF14)
4	124DK1	Screw, Tamper Resistant, Brushed Satin Stainless Steel
	124DK2	Screw, Tamper Resistant, Brushed Satin Bronze
	124DK13	Screw, Tamper Resistant, Mirror Stainless Steel
	124DK14	Screw, Tamper Resistant, Mirror Bronze
5	AAA462JR2	Spacer (for phone jack)
6	AAA462JS2	Spacer (for keyswitch)


Flat Faceplate Hall Station Parts

32-AAA23500BT



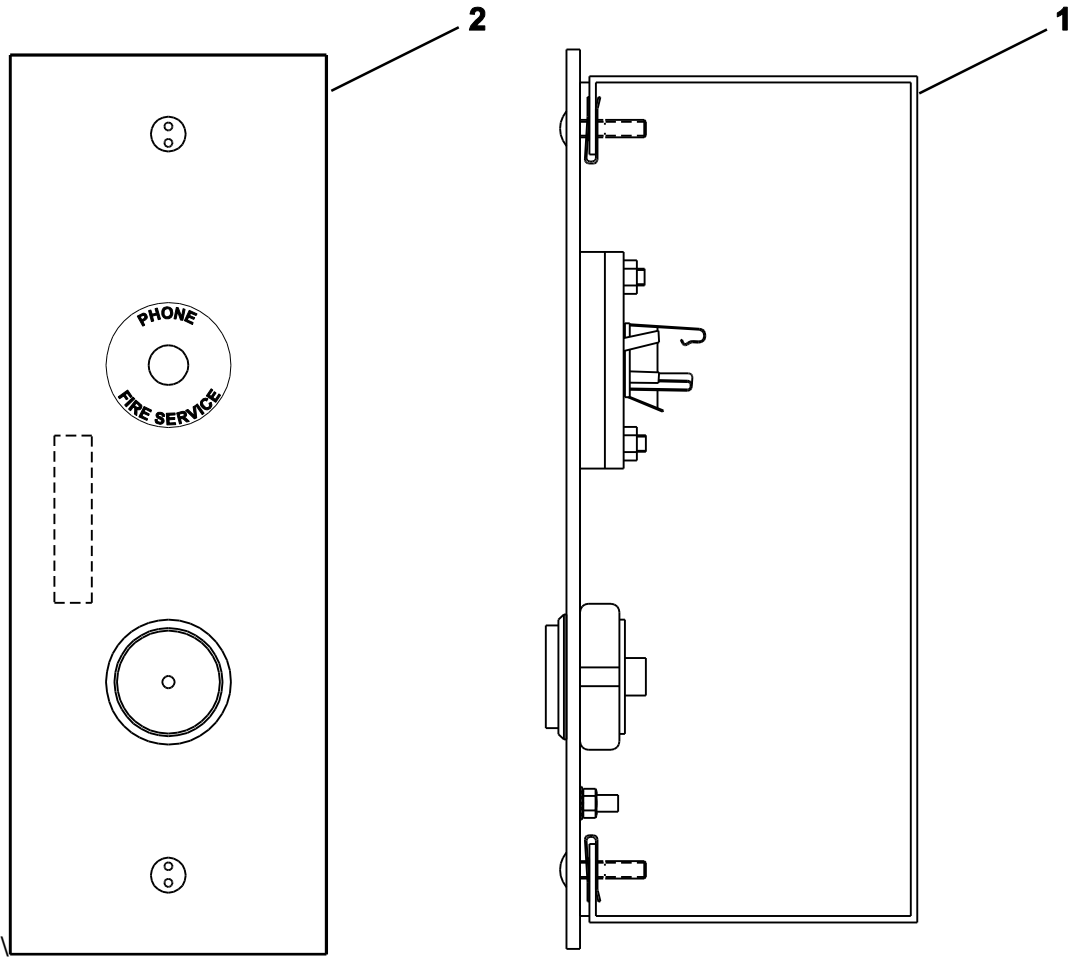
AAA23500BT		
REF. No.	PART No.	DESCRIPTION
1	A313CH6	Box, Wall (for 1–3 fixture cutouts)
	A313CH7	Box, Wall (for 4 or 5 fixture cutouts)
	A313CH8	Box, Wall (for 6 fixture cutouts)
2	AAA316GBX1	Bracket (RS14 PCB mounting)
3	---	Faceplate, Flat (Type AAA147QS)  SPL 32-AAA147QS




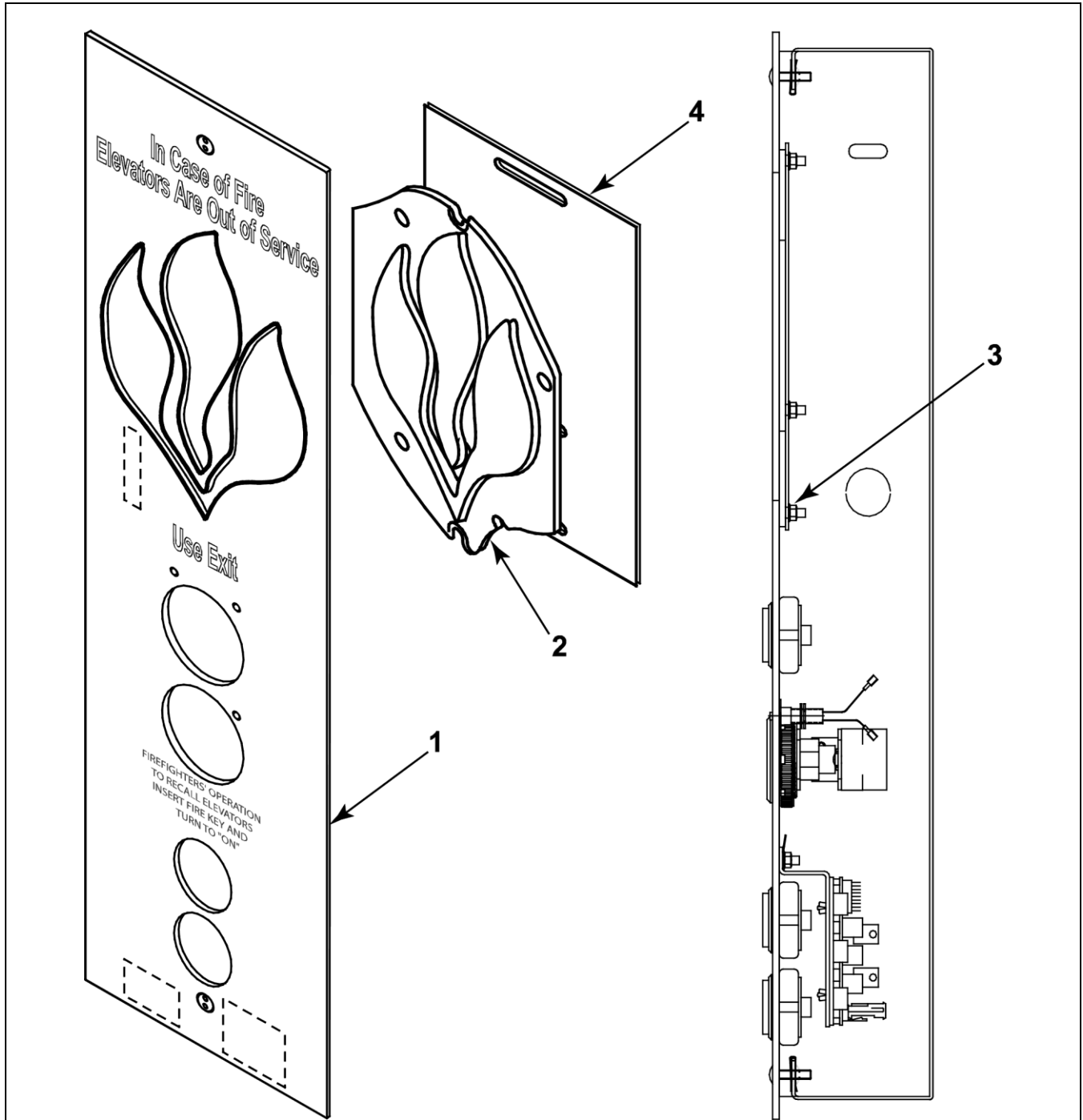
AAA23500BT		
REF. No.	PART No.	DESCRIPTION
1	A308GC3	Box, Wall
2	AAA316GBQ1	Bracket for RS14 PCB mounting
3	AAA316GBQ2	Bracket for RS14 PCB mounting
4	---	Faceplate, Narrow (Type AAA147QT)  SPL 32-AAA147QT

Parts, Jamb Hall Station


32-AAA23500BT



AAA23500BT		
REF. No.	PART No.	DESCRIPTION
1	AAA313CS2	Box, Wall (for double fixture)
	AAA313CS1	Box, Wall (for single fixture)
2	---	Faceplate, for Jamb (Type AAA147QU)  SPL 32-AAA147QU

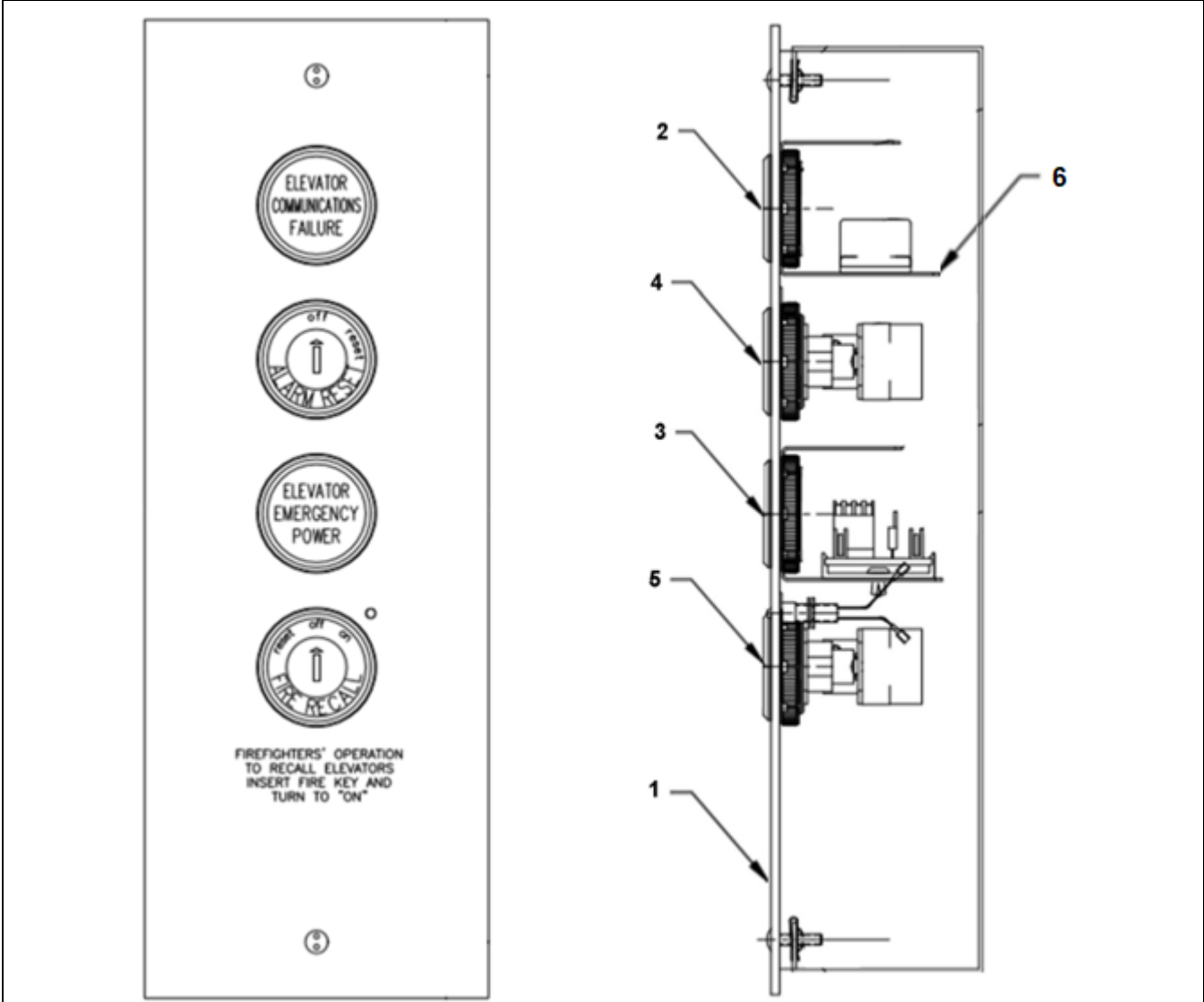


AAA23500BT

REF. No.	PART No.	DESCRIPTION
1	---	Faceplate, Flat (type AAA147QS)  SPL 32-AAA147QS
2	AAA251EL1	Insert, Flame
3	NON7201M4-8-Z	Nut, Hex (M4) with Serrated Flange
4	AAA386MEP1	Plate, Backing

ECF, Fire Service & Emergency Power Hall Station

32-AAA23500BT

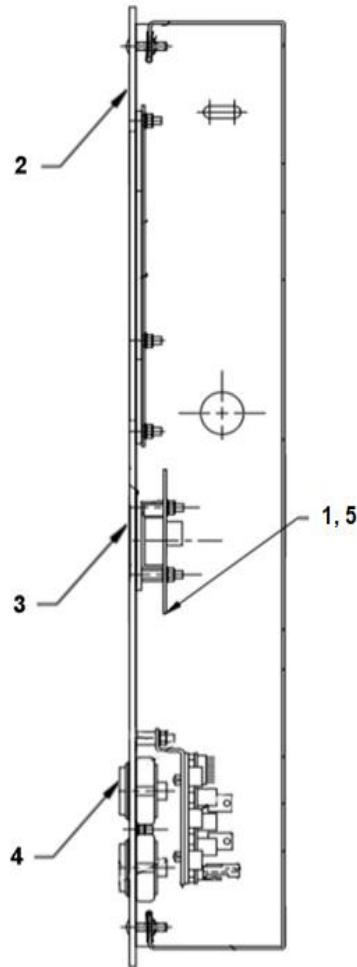
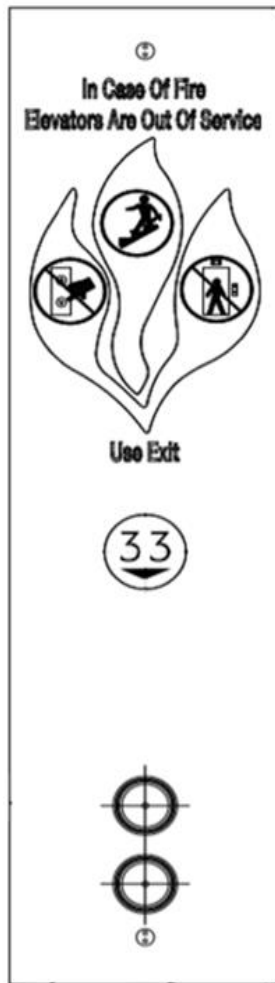


AAA23500BT






REF. No.	PART No.	DESCRIPTION
1	---	Faceplate, Flat, Type AAA147QS SPL 32-AAA147QS
2	AAA23851B35	Jewel, Elevator Communication Failure
3	---	Jewel, Type AAA23500AL, SPL-31-AAA23500AL
		Jewel, Type AAA23851M, SPL-31-AAA23851M
		Jewel, Type AAA23851B, SPL 31-AAA23851B
4	AAA23851L144	Keyswitch, Alarm Reset
5	---	Keyswitch, Type AAA23851A, SPL-32-AAA23851A
6	---	Bracket, Buzzer and PCB Mounting, Type AAA316HZD

32-AAA23500BT

Terminal / Intermediate Landing w/ Position Indicator & 1 or 2 Buttons



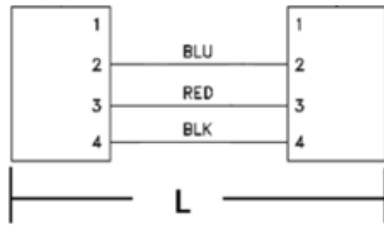
AAA23500BT

REF. No.	PART No.	DESCRIPTION
1	AAA26800BCT1	Assembly, Position Indicator PCB (see NOTE)
2	---	Faceplate, Flat, Type AAA147QS,  SPL 32-AAA147QS
3	AAA443FP1	Lens, Dark Grey
4	---	Pushbutton, Luxury Micromotion III, 24VDC, Type AAA323EA,  SPL 32-AAA323EA
		Pushbutton, Luxury Micromotion III, 24VDC, Type AAA23500CH,  SPL 32-AAA23500CH
		Pushbutton, Luxury Micromotion III, Type AAA323DY,  SPL 32-AAA323DY
		Pushbutton, Vandal Resistant Micromotion III, Type AAA323DZ,  SPL 32-AAA323DZ
5	AAA174YL24	RSL/CAN to REF 1 PCB, Adaptor Harness

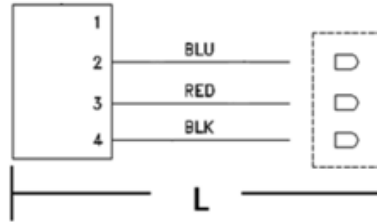
NOTE: Applicable for Simplex Elevator only.

Cable Assemblies

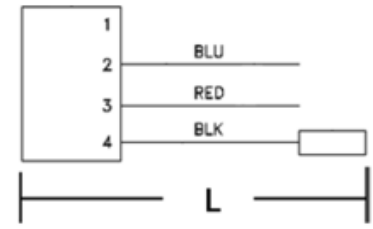
32-AAA23500BT



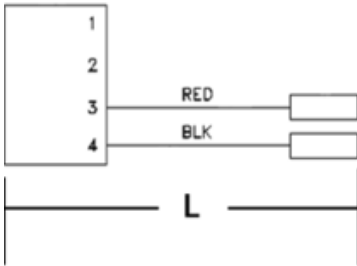
Ref. 1



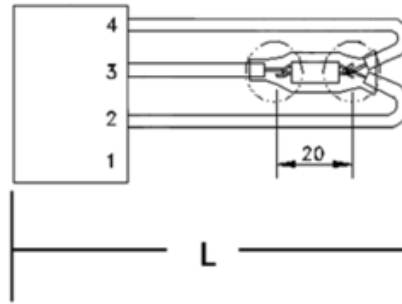
Ref. 2



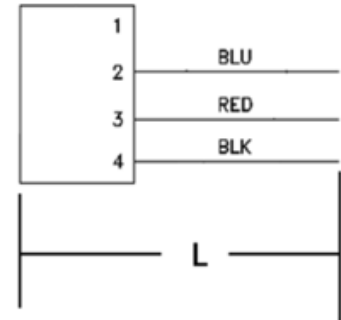
Ref. 3



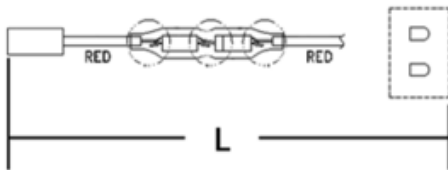
Ref. 4



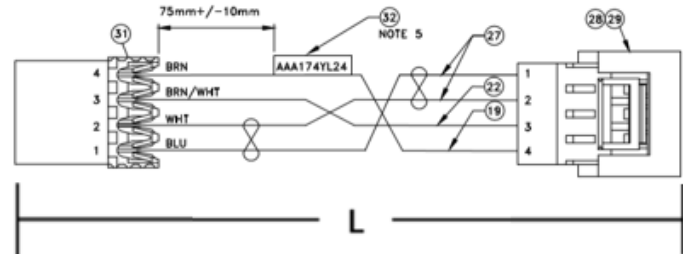
Ref. 5



Ref. 6



Ref. 7



Ref. 8

AAA23500BT				SPL
FIG. No.	PART No.	DESCRIPTION		
1	AAA174YL1	Cable, for 24 VDC Buttons (serial wiring)		31-AAA174YL
2	AAA174YL3	Cable, for 24 VDC Buttons, (discrete wiring)		
3	AAA174YL4	Cable, for Keyswitches: Secure Access, Express Priority Keyswitch (serial wiring)		
4	AAA174YL5	Cable, for Keyswitches: SES Phase 1, B44 Manual Return, B44 Automatic Return, Standby Power, B44 Emergency Power (serial wiring)		
5	AAA174YL8	Cable, RSL Loopback, Hall Station	German RS14 / GDA25005B1	
	ABA174SH7		China RS14 / DCA26800AL1	
6	AAA174YL9	Cable, for Keyswitch: Emergency Medical Technician, Massachusetts (serial wiring)		
7	AAA174YL10	Cable, for Keyswitch, 120 V AC/DC (discrete wiring)		
8	AAA174YL24	Cable, for RSL/CAN Fixtures		