

**Landing Fixture
Slim Hall Button
Assembly
(Series 5 Fixture)**

Spare Parts Leaflet

32-AAA23500CA

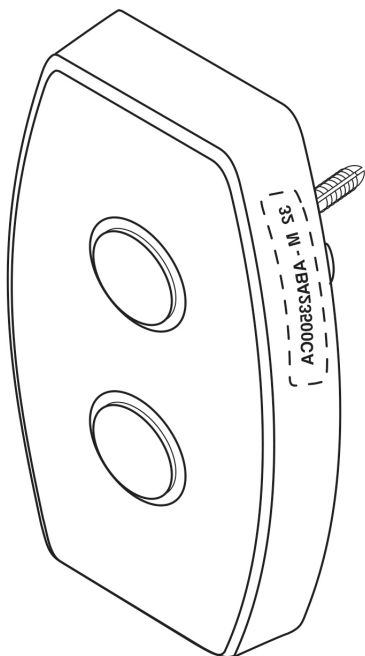
June 19, 2024 / Page 1 of 5

OBSOLESCENCE NOTICE

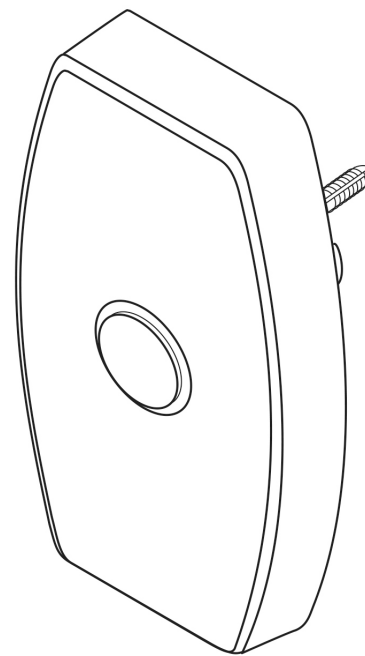
The product listed in this SPL is obsolete. Some components may still be available, but Otis recommends an upgrade (see TIP 32.2-1 for potential upgrade).

32 M - AAA23500CA

32 M - ABA23500CA



Intermediate Landing



Terminal Landing



This document does not contain any technical data subject to EAR or ITAR

SERVICE ENGINEERING
Otis Elevator Company
Bloomfield, Connecticut USA

Unpublished Work—© Otis Elevator Co.; 2024

History

32-AAA23500CA

Leaflet Description

This leaflet provides spare parts information for type AAA23500CA slim hall button assembly.

Leaflet Revisions

Date Revised	Subject Matter Expert	Reason for Revision
August 22, 2003	Dennis Rehmer	New Leaflet
December 23, 2004	Lisa Mitchell	Page 3, Ref. 1: ABA26800AKH1 was replaced by AAA26800AMS2
April 19, 2006	Joseph Zych	Update parts and add AAA23500CC button.
May 18, 2009	Joseph Zych	p.3 added AAA26800AMS2 and AAA308WR10. pp. 4 & 5 added AAA23500CH buttons and FS4 finish.
December 23, 2009	Joseph Zych	Added p/n AAA174AHK1 on p. 3
June 19, 2024	Juan Murillo	Series 5 fixtures now obsolete.

Related Drawings

Drawing No.	Title	Drawing No.	Title
AAA23500CA	Landing Fixture Slim Hall Button Assembly	ABA23500CA	Landing Fixture, Slim Hall Button Assembly
ABA23852B	Hall Fixture Arrangement, Series 5 Fixed Addressing	---	---

Related Documents

Document ID	Title
SPL 31-AAA23500AK	Modular Luxury Fixture: Micro-Motion III Pushbuttons
SPL 31-AAA23500BY	Luxury Fixture: Double-Insulated Finish Micro-Motion III Pushbutton

Subject Matter Expert

Name	Department
Juan Murillo	OSC Service Engineering

About Spare Parts Leaflets...

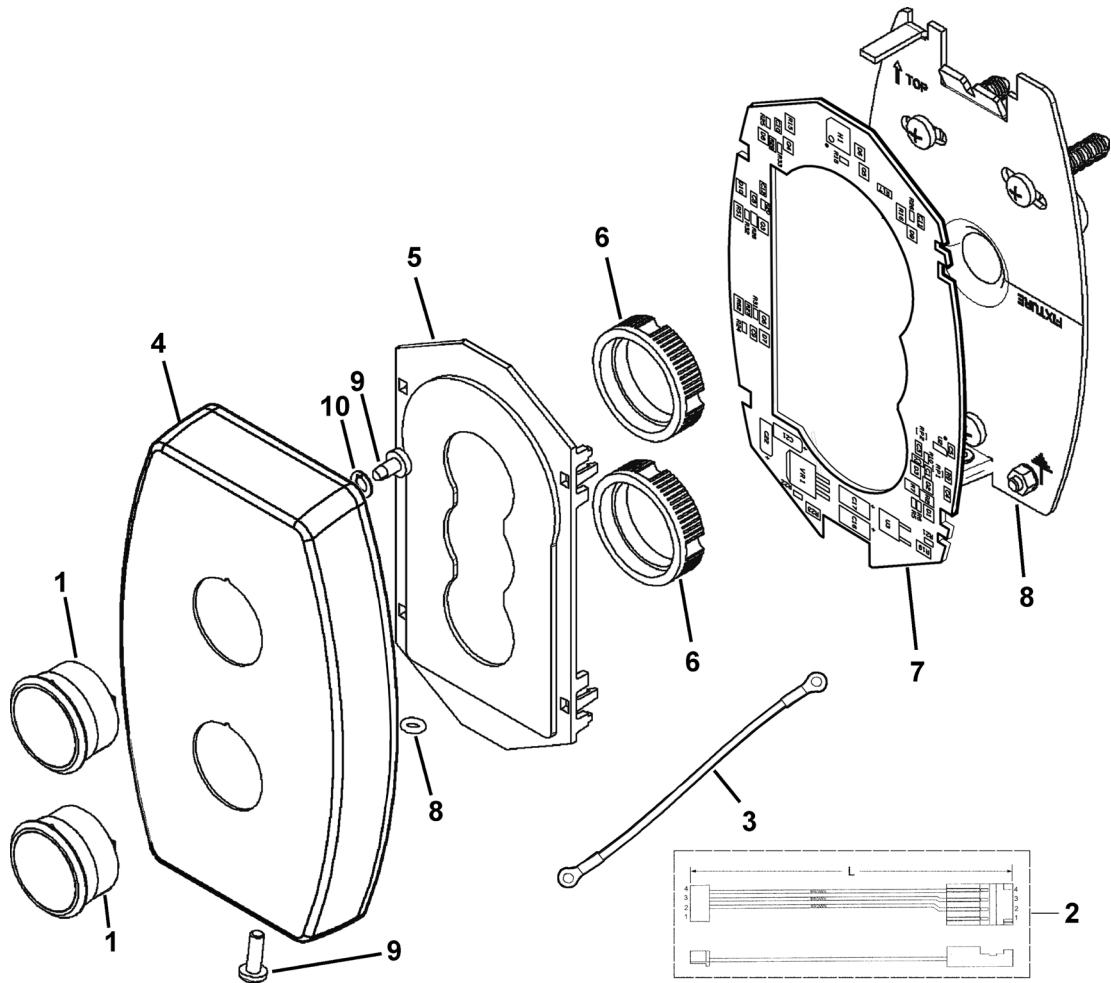
This document lists the lowest replaceable units (LRUs) for the standard version of the product. The LRUs are chosen by a team of Otis associates representing engineering and manufacturing.

While goal of this document is to make parts identification as easy as possible, the document cannot be all-inclusive. Elevator and escalator contracts classified as "special" or "custom" are not addressed here. For such contracts, please refer to specified information, the contract folder, TIPs, Field Education Articles, Construction Letters, etc. for further information.

If you have any suggestions about this document, please contact the subject matter expert listed on this page.

Slim Hall Button Landing Fixture

32-AAA23500CA

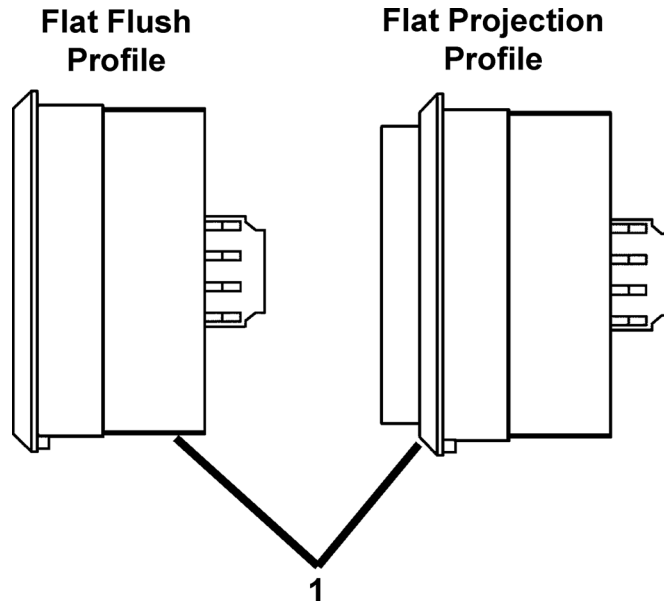


AAA23500CA
ABA23500CA

REF. No.	PART No.	DESCRIPTION
1	---	Assembly, Pushbutton, Micromotion III, See p. 4
2	AAA174AHK1	Cable, Electrical, 1 or 2 Option Box or Button Assembly, L = 130 mm
3	AAA175ABY1	Conductor
4	---	Frame, See p. 5
5	AAA180JA2	Holder
6	FAA72N1	Nut (button locking)
7	ABA26800AKH1 AAA26800AMS2	PC Board, Series 5 Hall Fixture
8	AAA308WR1 AAA308WR10	Plate
9	---	Screw (for frame) and O-Ring (not shown) See p.5
10	OBTAIN LOCAL	Screw (grounding), M4 x 8, Zinc Plated (DIN7500CM4X8-Z)
11	OBTAIN LOCAL	Washer (grounding), Lock, Internal Tooth, M4 (DIN6797J-M4-350HV-Z)

Micromotion III Pushbuttons

32-AAA23500CA

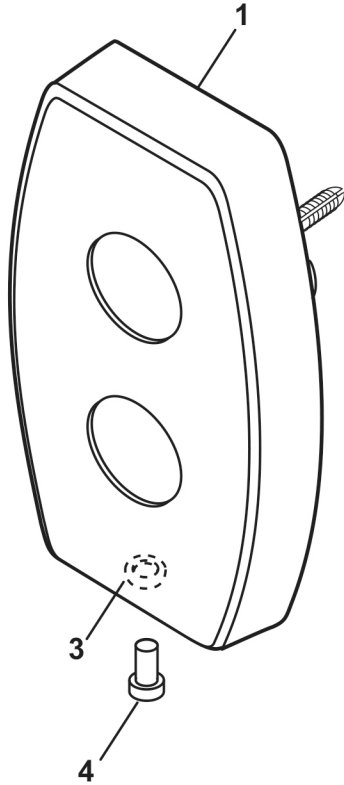


		AAA23500CA	ABA23500CA				
REF. No.	PART NO.		MICROMOTION III BUTTON ASSEMBLIES				
			MATERIAL	FINISH	ILLUMINATION	PROJECTION	
1	AAA23500AK4 AAA23500CH1	AAA23500CC4 AAA23500CH1	Stainless Steel	St. Steel Brushed or FS4	Red	Flat Flush	
	AAA23500AK2 AAA23500CH4		Stainless Steel	Mirror	Red	Flat Flush	
	AAA23500AK3 AAA23500BY25 AAA23500CH43		Bronze	Brushed	Red	Flat Flush	
	AAA23500AK4 AAA23500BY26 AAA23500CH44		Bronze	Mirror	Red	Flat Flush	
	AAA23500AK6 AAA23500CH5		Stainless Steel	Brushed	Red	Flat Raised	
	AAA23500AK7 AAA23500CH6		Stainless Steel	Mirror	Red	Flat Raised	
	AAA23500AK8 AAA23500BY77 AAA23500CH51		Bronze	Brushed	Red	Flat Raised	
	AAA23500AK9 AAA23500BY78 AAA23500CH52		Bronze	Mirror	Red	Flat Raised	

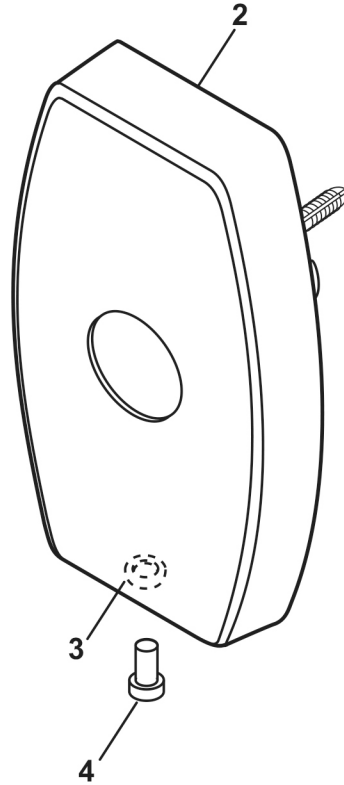
Frames

32-AAA23500CA

Intermediate Landing



Terminal Landing



REF. No.	PART No.	DESCRIPTION	
	AAA23500CA ABA23500CA		
1	AAA374ZT997-GOLDB	Frame (for intermediate landings)	Bronze, Brushed Finish
	AAA374ZT997-GOLDM		Bronze, Mirror Finish
	AAA374ZT997-SSB		Stainless Steel, Brushed Finish
	AAA374ZT997-FS4		Stainless Steel, FS4 Finish
	AAA374ZT997-SSM		Stainless Steel, Mirror Finish
2	AAA374ZT996-GOLDB	Frame (for terminal landings)	Bronze, Brushed Finish
	AAA374ZT996-GOLDM		Bronze, Mirror Finish
	AAA374ZT996-SSB		Stainless Steel, Brushed Finish
	AAA374ZT996-FS4		Stainless Steel, FS4 Finish
	AAA374ZT996-SSM		Stainless Steel, Mirror Finish
3	AAA172TY1	O-Ring	
4	AAA124HE2	Screw, Tamper- Resistant, M4	Bronze, Brushed Finish
	AAA124HE4		Bronze, Mirror Finish
	AAA124HE1		Stainless Steel, Brushed or FS4 Finish
	AAA124HE3		Stainless Steel, Mirror Finish