

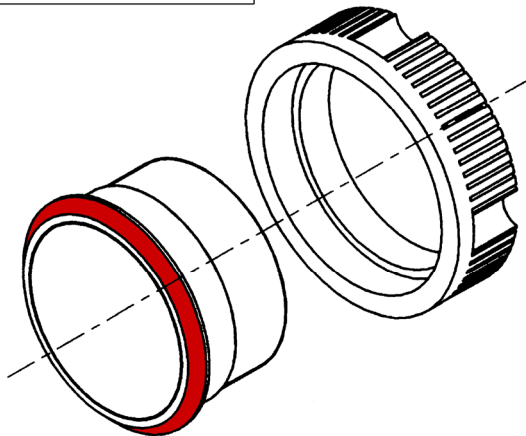
**Micro-Motion III Phone
Button**

Spare Parts Leaflet

32-AAA23500CJ

July 25, 2008 / Page 1 of 3

W/O VINTAGE



OTIS

Safety First!

SERVICE ENGINEERING
Otis Elevator Company
Bloomfield, Connecticut USA

Leaflet Description

This leaflet lists the spare parts of type AAA23500CJ Micro-Motion III phone buttons.

Leaflet Revisions

Date Revised	Subject Matter Expert	Reason for Revision
July 25, 2008	Joseph Zych	New SPL
---	---	---

Related Drawings

Drawing No.	Title	Drawing No.	Title
AAA23500CJ	Phone Button, Pushbutton, Luxury Micro-Motion III	---	---
---	---	---	---

Related Documents

Document ID	Title
---	---
---	---

Subject Matter Expert

Name	Department
Joseph Zych	OSC Service Engineering

About Spare Parts Leaflets...

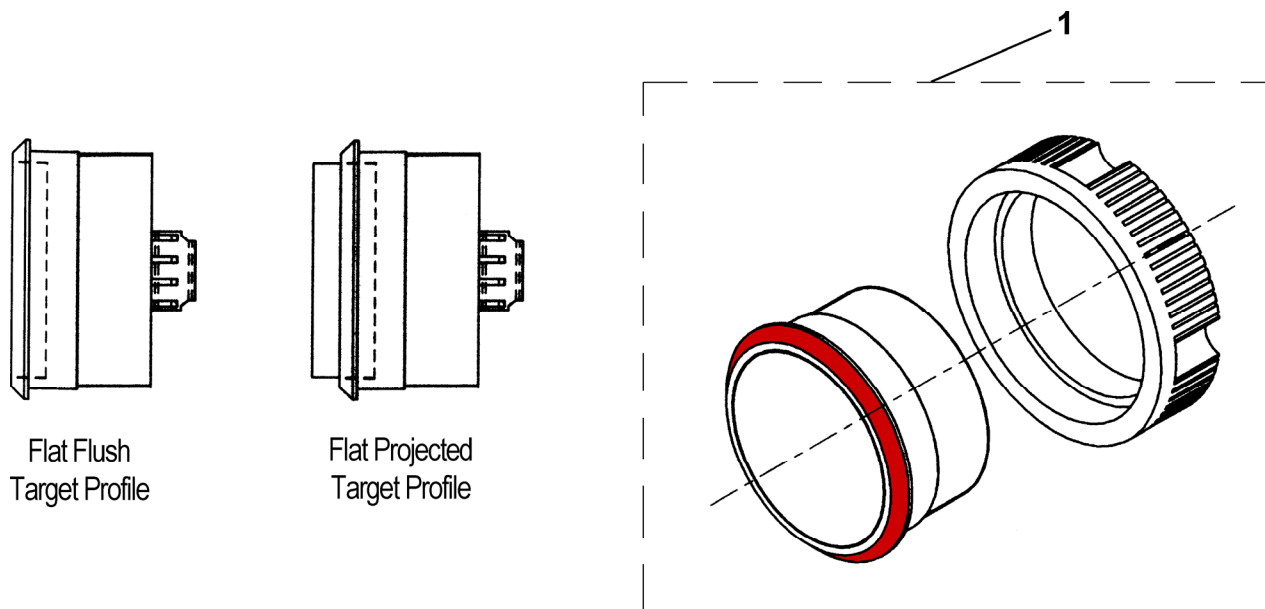
This document lists the lowest replaceable units (LRUs) for the standard version of the product. The LRUs are chosen by a team of Otis associates representing engineering and manufacturing.

While goal of this document is to make parts identification as easy as possible, the document cannot be all-inclusive. Elevator and escalator contracts classified as "special" or "custom" are not addressed here. For such contracts, please refer to specified information, the contract folder, TIPs, Field Education Articles, Construction Letters, etc. for further information.

If you have any suggestions about this document, please contact the subject matter expert listed on this page.

Phone Button Assembly

32-AAA23500CJ



		W/O VINTAGE				
REF. No.	PART No.	RING BODY COLOR	TARGET PROFILE	TARGET FINISH	VOLTAGE	CONNECTOR
1	AAA23500CJ1	Red	Flat Flush	SS4	24 V	AMP
	AAA23500CJ2			SS8		
	AAA23500CJ3			BR7		
	AAA23500CJ4			BR8		
	AAA23500CJ5		Flat Projected	SS4		
	AAA23500CJ6			SS8		
	AAA23500CJ7			BR7		
	AAA23500CJ8			BR8		

NOTE for Target Finish:

SS4 = Brushed Stainless Steel (circular brush); **SS8** = Mirror Stainless Steel;
BR7 = Brushed Brass (circular finish); **BR8** = Mirror Brush.