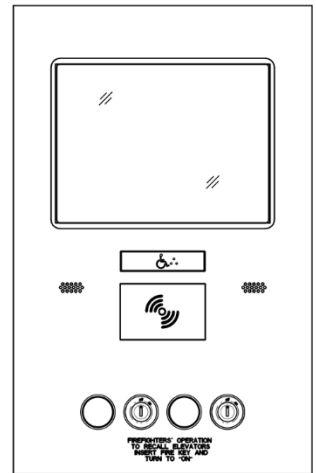
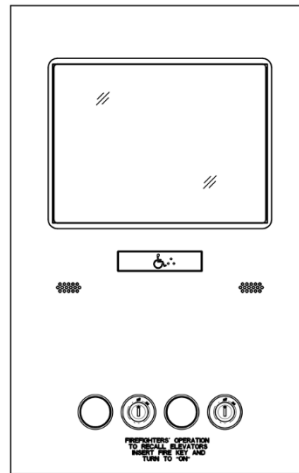
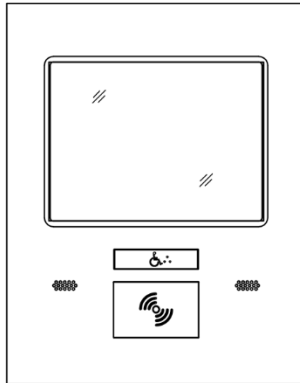
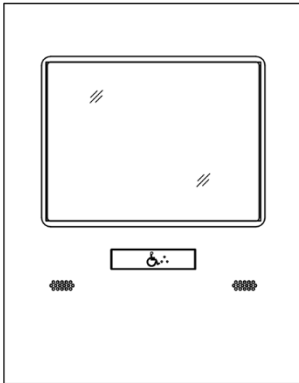
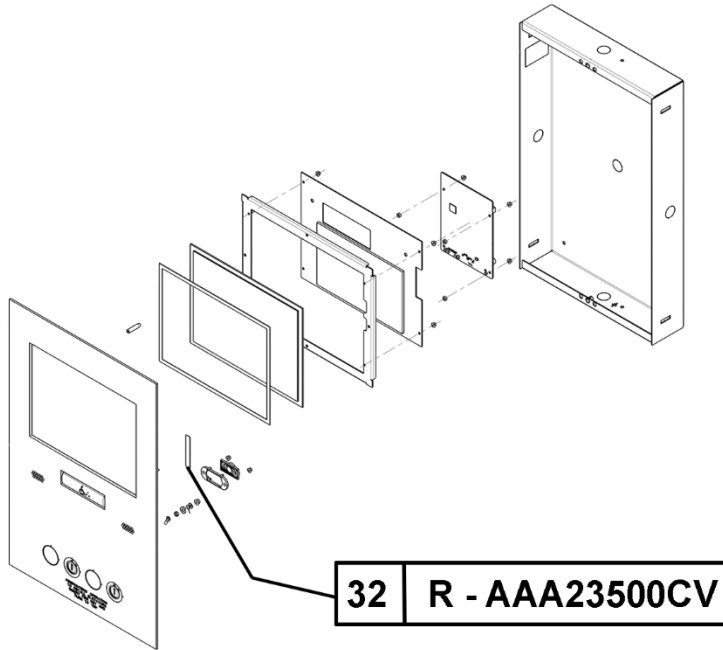


**Assembly  
Hall Button CompassPlus®  
Touchscreen**

**Spare Parts Leaflet**

**32-AAA23500CV**

November 30, 2022 / Page 1 of 3



This document does not contain any technical data subject to EAR or ITAR

**SERVICE ENGINEERING  
Otis Elevator Company  
Bloomfield, Connecticut USA**

Unpublished Work—© Otis Elevator Co.; 2022

**Leaflet Description**

This leaflet provides information for hall button CompassPlus® touchscreen arrangements. The units should be replaced as whole units. Disassembly from the field is not authorized.

**Leaflet Revisions**

<b>Date Revised</b>	<b>Subject Matter Expert</b>	<b>Reason for Revision</b>
May 22, 2019	Joseph Zych	New SPL
December 4, 2019	Joseph Zych	Corrected FS4 finish information on p. 3
November 16, 2022	Vadzim Fedarenka	Updated History page Added contact information for replacement parts order on p.3
November 30, 2022	Vadzim Fedarenka	Updated NOTE on p. 3

**Related Drawings**

<b>Drawing No.</b>	<b>Title</b>	<b>Drawing No.</b>	<b>Title</b>
AAA23500CV	Assembly, Hall Button CompassPlus Touchscreen		

**Related Documents**

<b>Document ID</b>	<b>Title</b>
SPL 31-AAA23851B	Fixture: Jewel Assembly
SPL 31-AAA23851M	Jewel
SPL 32-AAA23851A	Keyswitch Series

**Subject Matter Expert**

<b>Name</b>	<b>Department</b>
Vadzim Fedarenka	OSC Service Engineering

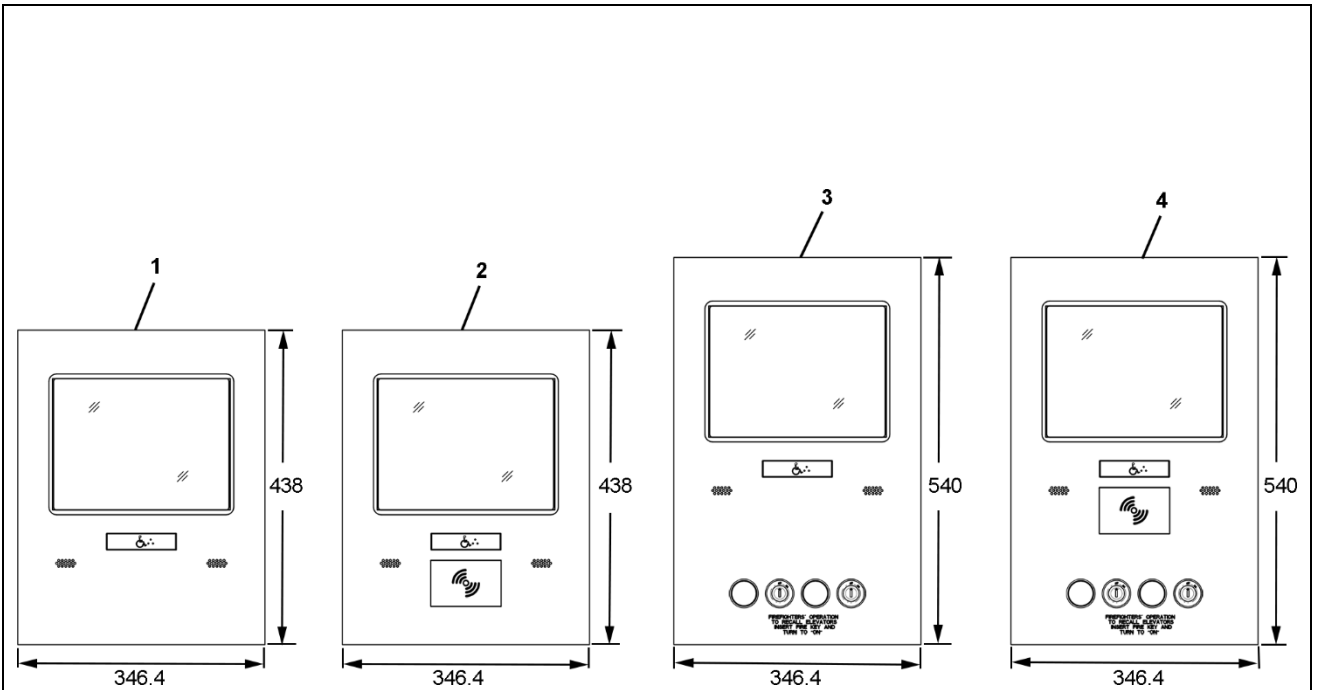
**About Spare Parts Leaflets...**

This document lists the lowest replaceable units (LRUs) for the standard version of the product. The LRUs are chosen by a team of Otis associates representing engineering and manufacturing.

While goal of this document is to make parts identification as easy as possible, the document cannot be all-inclusive. Elevator and escalator contracts classified as "special" or "custom" are not addressed here. For such contracts, please refer to specified information, the contract folder, TIPS, Field Education Articles, Construction Letters, etc. for further information.

If you have any suggestions about this document, please contact the subject matter expert listed on this page.

## Hall Buttons



	<b>AAA23500CV</b>	
<b>REF. No.</b>	<b>PART No.</b>	<b>DESCRIPTION</b>
1	AAA23500CV1-__ __ *	Assembly, Touchscreen
2	AAA23500CV2-__ __ *	Assembly, Touchscreen and Card Reader
3	AAA23500CV3-__ __ *	Assembly, Touchscreen and Keyswitches
4	AAA23500CV4-__ __ *	Assembly, Touchscreen, Card Reader and Keyswitches
**	AAA23500CV999-__ __ *	Assembly, Touchscreen

**NOTE: When ordering contract specific parts, provide the contract number.**

**To order replacement assembly, please, contact:**

**E-mail:** GP OTIS Fixtures Customer Service [FixturesCustSvc@otis.com](mailto:FixturesCustSvc@otis.com)

**Fixtures hotline:** 1-877-OSC-FIXT (1-877-672-3498)

\* When ordering, specify finish. For example, touchscreen assembly in brushed ferritic stainless steel would be AAA23500CV1-FS4. The available finishes are:

- FS4 Ferritic Stainless Steel (Brushed)
- SS8 Otis #8 Stainless Steel (Mirrored)
- BR7 Otis #7 Brass (Brushed and Lacquered)
- BR8 Otis #8 Brass (Mirrored and Lacquered)

\*\* Contract specific. Please provide contract number.