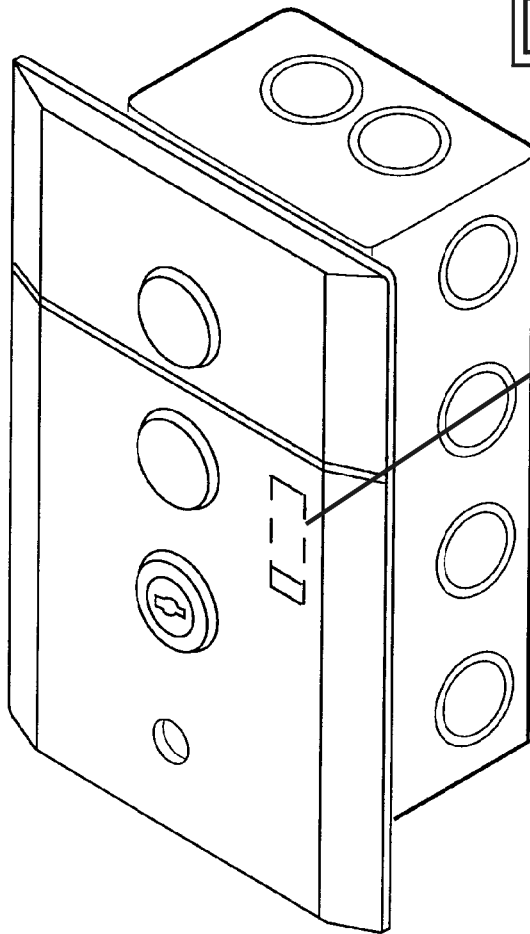


# Luxury Fixtures Hall Panel Assembly

## Spare Parts Leaflet

### 32-AAA23500M

September 25, 2024 / Page 1 of 9



32 R-AAA23500M

32 R-AAB23500M

32 R-AAC23500M

32 R-AAD23500M

# OTIS

This document does not contain any technical data subject to EAR or ITAR

**SERVICE ENGINEERING**

**Otis Elevator Company**

**Bloomfield, Connecticut USA**

Unpublished Work—© Otis Elevator Co.; 2024

# History

**32-AAA23500M**

## Leaflet Description

This leaflet lists spare parts for hall panel assemblies with the following vintages:

- R-AAA23500M
- R-AAB23500M
- R-AAC23500M
- R-AAD23500M

Refer to the updated ordering instructions for custom engraving on page 9.

## Leaflet Revisions

Date Revised	Subject Matter Expert	Reason for Revision
April 1997	Katherine Smith	New Leaflet
July 1, 2000	Stephen Karvazy	Correct transposed p/ns on page 6
May 1, 2001	Stephen Karvazy	Correct p/n and add new references
November 30, 2005	Joseph D. Zych	Added a Note on p. 5; added p/ns AAA147PJ17 through 64 on pp. 7–8.
February 8, 2023	Vadzim Fedarenka	Updated history page and document template
September 25, 2024	Vadzim Fedarenka	Updated description for ref. 2 & 3 on p. 7 and ref. 1 on p. 8; added replacement p/n for AAA147PJ37-41 on p. 7; added callouts A & B for images on p. 7-8

## Related Drawings

Drawing No.	Title	Drawing No.	Title
AAD23500M	Hall Panel Assembly	AAA147PJ	Faceplate

## Related Documents

Document ID	Title
31-AAA23500AAD	Motionless Button
31-AAA23500F	Keyswitch Assemblies, Light Ring & Engraved Collar Version
31-AAA23500AAF	Luxury Fixture—Part, Micro-Motion Button, Series 1 & 2
32-AAA26ZA	Luxury Fixture—Part, Hall Panel Engravings

## Subject Matter Expert

Name	Department
Vadzim Fedarenka & Aayush Desai	OSC Service Engineering

## About Spare Parts Leaflets...

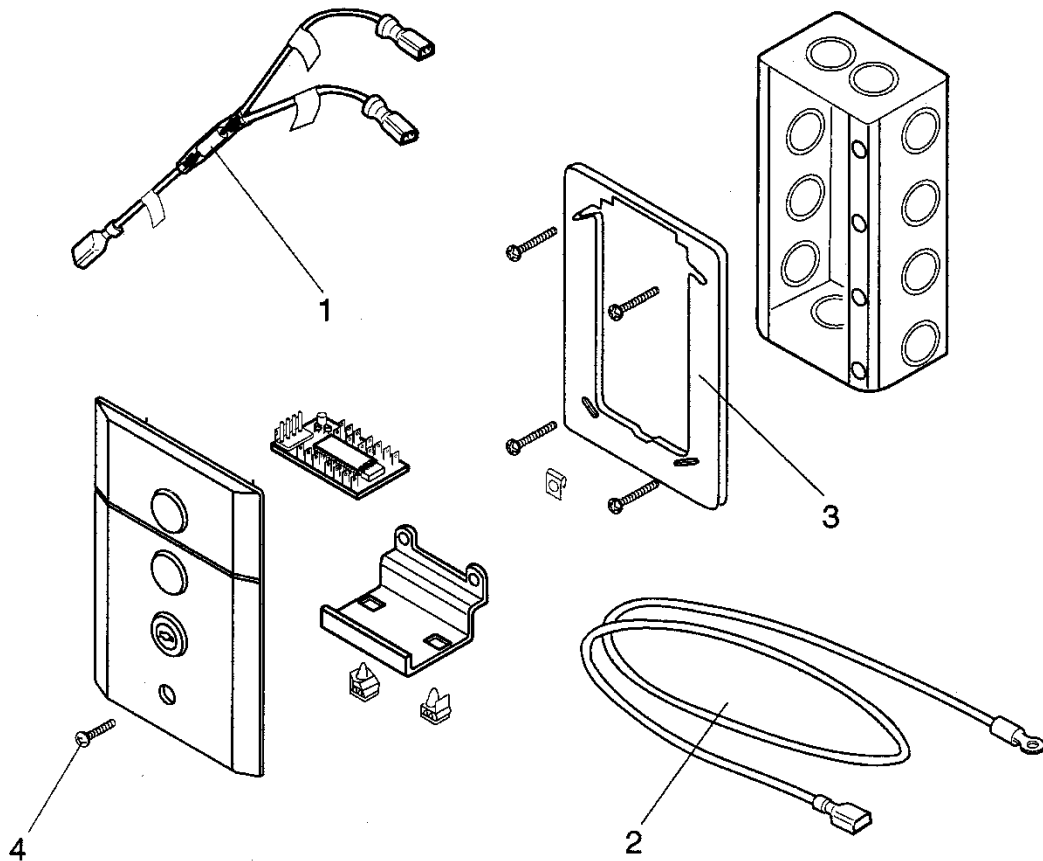
This document lists the lowest replaceable units (LRUs) for the standard version of the product. The LRUs are chosen by a team of Otis associates representing engineering and manufacturing.

While goal of this document is to make parts identification as easy as possible, the document cannot be all-inclusive. Elevator and escalator contracts classified as "special" or "custom" are not addressed here. For such contracts, please refer to specified information, the contract folder, TIPs, Field Education Articles, Construction Letters, etc. for further information.

If you have any suggestions about this document, please contact the subject matter expert listed on this page.

# Hall Panel Assembly

**32-AAA23500M**

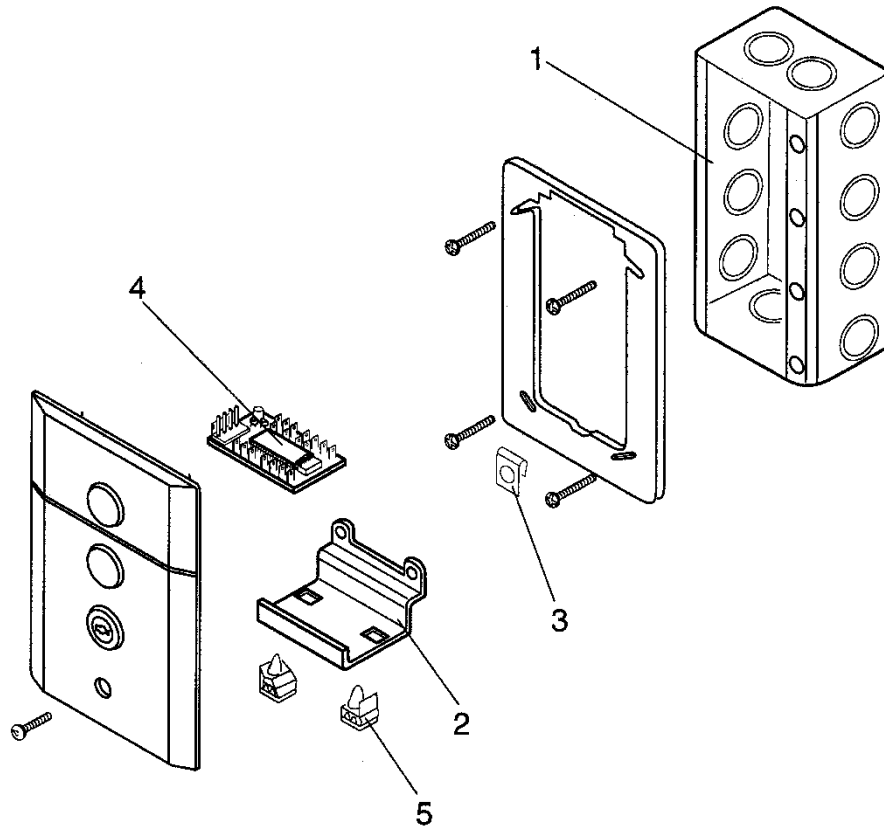


ALL VINTAGES		
REF. No.	PART No.	DESCRIPTION
1	ABA174SH4	Assembly, Cable, RS-5 PC Board
2	AAA00175AAB039	Conductor, Ground
3	AAA386KTC1	Plate, Top
4	AAA00124AAF002	Screw, Tamper Resistant, Stainless Steel Mirror Finish
	AAA00124AAF003	Screw, Tamper Resistant, Stainless Steel Brushed Finish
	AAA00124AAF004	Screw, Tamper Resistant, Bronze Mirror Finish
	AAA00124AAF005	Screw, Tamper Resistant, Bronze Brushed Finish

(Continued on next page)

# Hall Panel Assembly

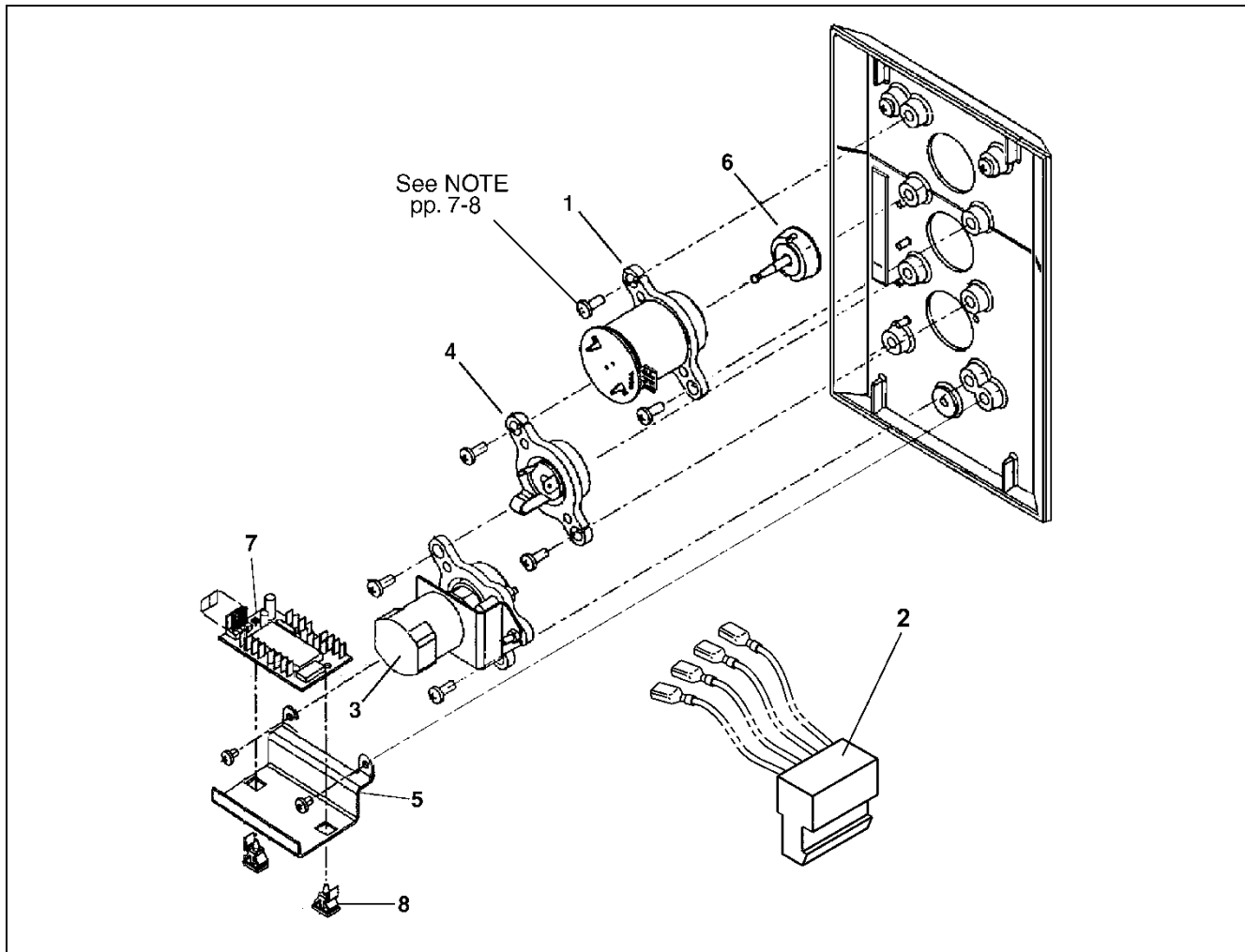
**32-AAA23500M**

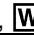


ALL VINTAGES		
REF. No.	PART No.	DESCRIPTION
1	309BN13	Box, Gang
2	AAA316FSR1	Bracket
3	72BX16	Nut, Speed
4	GEA23550D1	PC Board, Remote-Station 5
5	AAA354DH1	Standoff

# Hall Panel w/Micro-Motion II Button

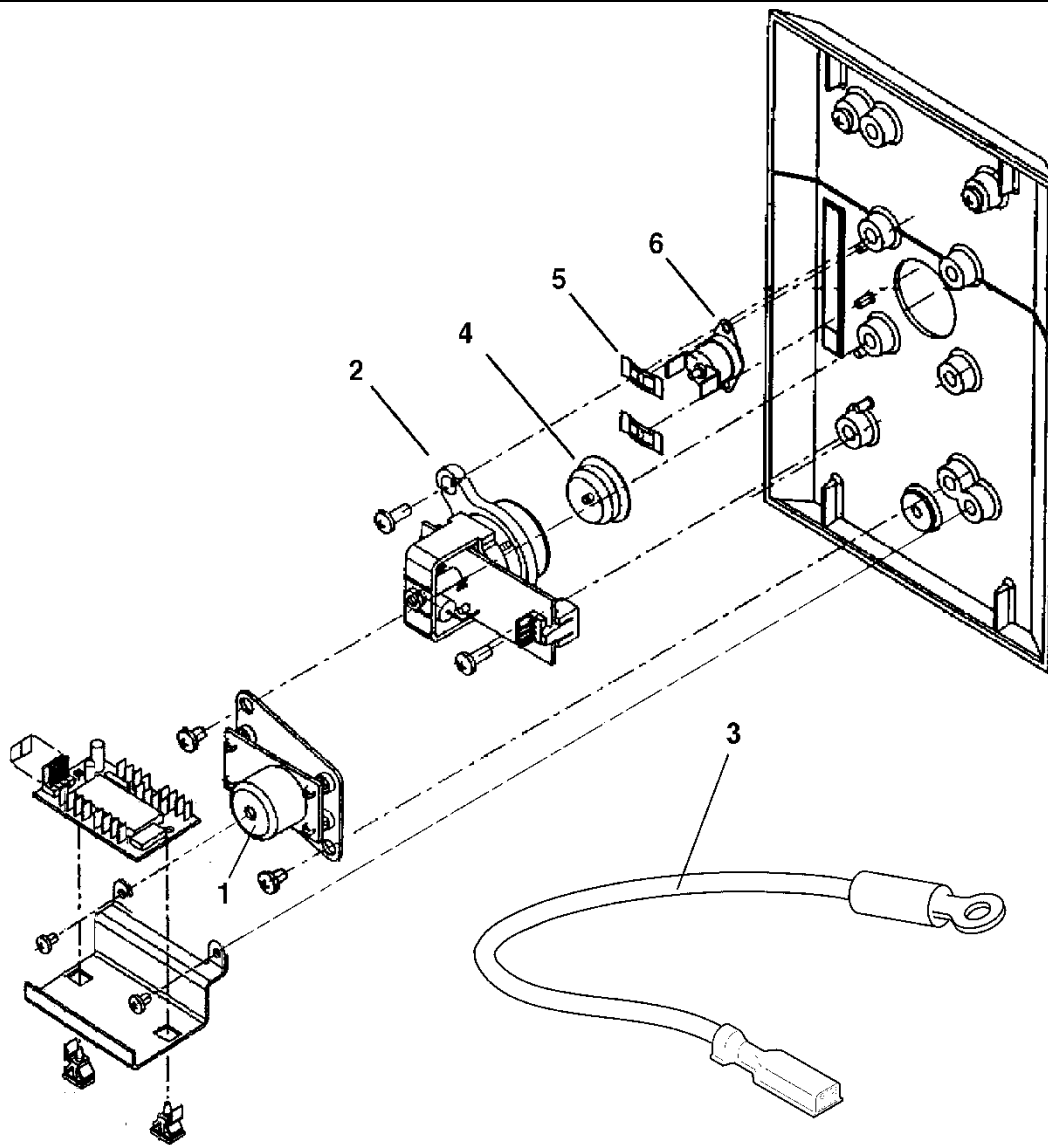
**32-AAA23500M**




ALL VINTAGES		
REF. No.	PART No.	DESCRIPTION
1	---	Assembly, Button, Type AAC23500D, Micro-Motion II, See SPL 31-AAA23500AAF
2	AAA00174AAL011	Assembly, Cable,  Micro-Motion Button
3	---	Assembly, Keyswitch, Type AAA23500F, See SPL 31-AAA23500F
	---	Assembly, Keyswitch, Type AAA23500L, See SPL 31-AAA23500F
4	AAA23500T1	Assembly, Phone Jack (ANSI)
	AAA23500T3	Assembly, Phone Jack (Canada)
5	AAA316FSR1	Bracket
6	---	Disk (Target), Type ABA323DH, Micro-Motion II Button, See SPL 31-AAA23500AAF
7	GBA23550D4 GCA23550D4 GEA23550D1	PC Board, Remote-Station 5
8	AAA354DH1	Standoff

# Hall Panel w/Motionless Button

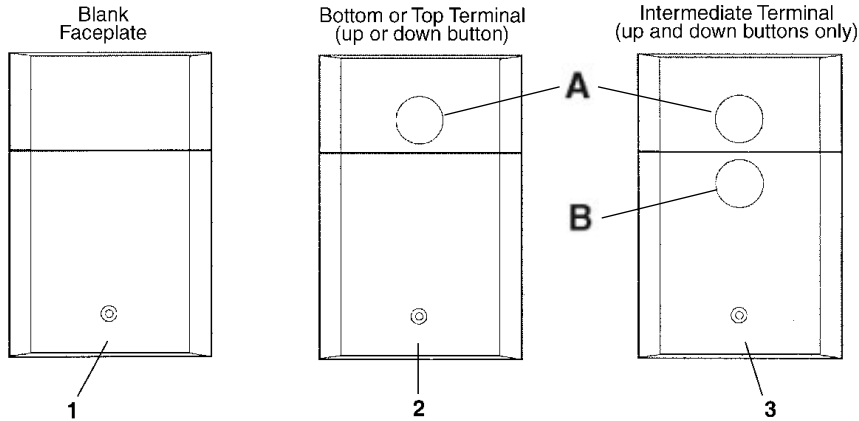
**32-AAA23500M**



ALL VINTAGES		
REF. No.	PART No.	DESCRIPTION
1	AAA23500Y1	Assembly, Beeper, New Jersey
2	---	Assembly, Button, Type ABB23500AAD, Motionless, See SPL 31-AAA23500AAD
3	AAA00175AAB111	Conductor, Ground,  Motionless Button
4	---	Disk (Target), Type AAA00353AAB, Motionless Button (non-ADAAG), See SPL 31-AAA23500AAD
5	72CE5	Nut, Speed
6	AAA00177AAD001	Switch, Thermal

# Faceplates

**32-AAA23500M**



See p. 9 for special ordering instructions of faceplates w/customer specified engravings/cutout positions.

ALL VINTAGES				
REF. No.	PART No.	DESCRIPTION	PLATING	FINISH
1	AAA147PJ1	Blank	St. Steel	Brushed
	AAA147PJ33		St. Steel	Mirror
	AAA147PJ2		Brass	Brushed
	AAA147PJ34		Brass	Mirror
	AAA147PJ35			
2	AAA147PJ4	Top & Bottom Terminal (up or down button only) Location A	Brass	Brushed
	AAA147PJ36		Brass	Mirror
	AAA147PJ5		St. Steel	Brushed
	AAA147PJ37		St. Steel	Mirror
	AAA147PJ41		Brass	Brushed
	AAA147PJ6		Brass	Mirror
	AAA147PJ38		St. Steel	Brushed
	AAA147PJ42		St. Steel	Mirror
	AAA147PJ7		Brass	Brushed
	AAA147PJ39		Brass	Mirror
	AAA147PJ43		St. Steel	Brushed
	AAA147PJ8		St. Steel	Mirror
	AAA147PJ40		Brass	Brushed
AAA147PJ44	Brass	Mirror		
3	AAA147PJ9	Intermediate (up & down buttons only) Locations A & B	St. Steel	Brushed
	AAA147PJ41		St. Steel	Mirror
	AAA147PJ10		Brass	Brushed
	AAA147PJ42		Brass	Mirror
	AAA147PJ11		St. Steel	Brushed
	AAA147PJ43		St. Steel	Mirror
	AAA147PJ12		Brass	Brushed
	AAA147PJ44		Brass	Mirror
3	AAA147PJ13	Intermediate (up & down buttons only) Locations A & B	St. Steel	Brushed
	AAA147PJ45		St. Steel	Mirror
	AAA147PJ14		Brass	Brushed
	AAA147PJ46		Brass	Mirror
	AAA147PJ15		St. Steel	Brushed
	AAA147PJ47		St. Steel	Mirror
AAA147PJ16	Brass	Brushed		
AAA147PJ48	Brass	Mirror		

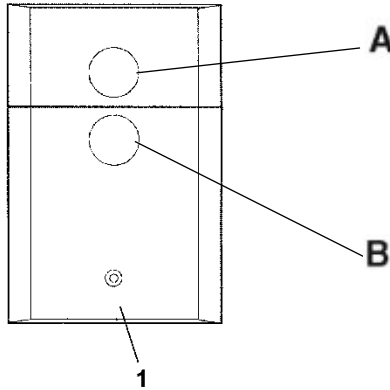
**NOTE:** When ordering a new faceplate, order M4x8 cross recessed pan head thread rolling screws (p/n DIN7500CM4x8-Z-Z). See the illustration on p. 5.

(Continued on next page)

# Faceplates

**32-AAA23500M**

Any Landing  
See dwg. AAA147PJ, page 2, Table D,  
for all available function options.



See p. 9 for special ordering instructions of faceplates  
w/customer specified engravings/cutout positions.

<b>ALL VINTAGES</b>				
<b>REF. No.</b>	<b>PART No.</b>	<b>DESCRIPTION</b>	<b>PLATING</b>	<b>FINISH</b>
1	AAA147PJ17	Any Landing (w/buttons and keyswitches) Locations A & B	St. Steel	Brushed
	AAA147PJ49		St. Steel	Mirror
	AAA147PJ48		Brass	Brushed
	AAA147PJ50		Brass	Mirror
	AAA147PJ49		Brass	Brushed
	AAA147PJ51		Brass	Mirror
	AAA147PJ20	Any Landing (w/per-car function keyswitches) Locations A & B	St. Steel	Brushed
	AAA147PJ52		St. Steel	Mirror
	AAA147PJ21		Brass	Brushed
	AAA147PJ53		Brass	Mirror
	AAA147PJ22		St. Steel	Brushed
	AAA147PJ54		St. Steel	Mirror
	AAA147PJ23	Any Landing (w/group related function keyswitches) Locations A & B	Brass	Brushed
	AAA147PJ55		Brass	Mirror
	AAA147PJ24		St. Steel	Brushed
	AAA147PJ56		St. Steel	Mirror
	AAA147PJ25		Brass	Brushed
	AAA147PJ57		Brass	Mirror
	AAA147PJ26		St. Steel	Brushed
	AAA147PJ58		St. Steel	Mirror
	AAA147PJ27		Brass	Brushed
	AAA147PJ59		Brass	Mirror
	AAA147PJ28		St. Steel	Brushed
	AAA147PJ60		St. Steel	Mirror
AAA147PJ29	Brass	Brushed		
AAA147PJ61	Brass	Mirror		
AAA147PJ30	St. Steel	Brushed		
AAA147PJ62	St. Steel	Mirror		
AAA147PJ31	Brass	Brushed		
AAA147PJ63	Brass	Mirror		
AAA147PJ32	Brass	Brushed		
AAA147PJ64	Brass	Mirror		

**NOTE:** When ordering a new faceplate, order M4x8 cross recessed pan head thread rolling screws (p/n DIN7500CM4x8-Z-Z). See the illustration on p. 5.



# Ordering Instructions

**32-AAA23500M**

## Engraved Faceplate

The possible combinations of faceplate engravings and cutout locations are too numerous to list in the parts leaflet. Orders are handled manually. Copy this page and use it to place your orders. Follow the instructions given and send the completed form to your Otis Service Center Customer Service Coordinator.

Date \_\_\_\_\_  
 Contract Number \_\_\_\_\_  
 Customer Order Number \_\_\_\_\_  
 (order number to be filled in by OSC)

Quantity of Faceplates \_\_\_\_\_

Number of Cutouts (circle one)      1      2      3      None

Finish Number (check one)

SS4	<input type="checkbox"/>
SS8	<input type="checkbox"/>
BR7	<input type="checkbox"/>
BR8	<input type="checkbox"/>

Location of Cutouts	Type of Cutouts	Engraving AAA26ZA__*	
A	Button		
	Keyswitch		
	Phone Jack		
	None		
B	Button		
	Keyswitch		
	Phone Jack		
	None		
C	Button		
	Keyswitch		
	Phone Jack		
	None		

\* Use SPL 32-AAA26ZA, *Luxury Hall Fixture, Hall Panel Engravings*, to determine the engraving arrangement number.