

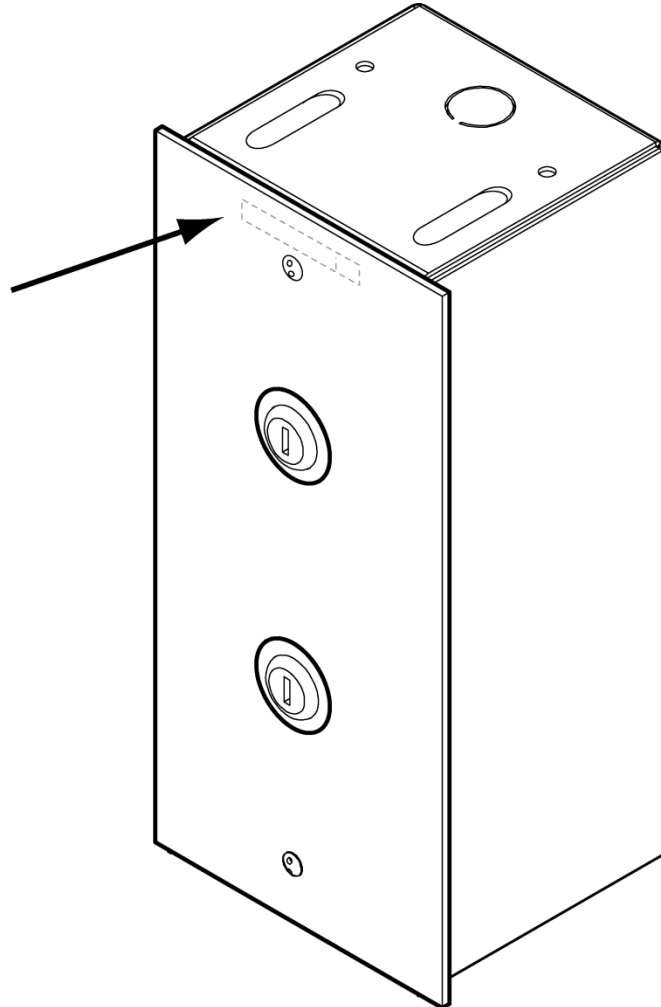
Fixture - Hall Panel
Access / S.E.S Switch
(**W**→ Applied Hoistway Entrance)

Spare Parts Leaflet
32-AAA23500S
May 10, 2017 / Page 1 of 4

**W/O
VINTAGE**

and

32 | H - AAA23500S



OTIS

This document does not contain any
technical data subject to EAR or ITAR

SERVICE ENGINEERING
Otis Elevator Company
Bloomfield, Connecticut USA
Unpublished Work—© Otis Elevator Co.; 2017

Leaflet Description

This leaflet describes the access/S.E.S. Hall mounted fixture used with Applied hoistway entrances.

The update adds recognition of the CSA required grounding to the faceplate and the addition of a grounding washer to the keyswitch.

Leaflet Revisions

| Date Revised | Subject Matter Expert | Reason for Revision |
|--------------------|-----------------------|---|
| October 1997 | Val Minnes | New SPL |
| September 17, 2003 | Lisa K. Mitchell | Update part numbers and add electrical box as LRU on p. 3 |
| May 10, 2017 | Ramone Reynolds | Replaced ABA23500G93 with ABA23500G293, and added ABA23500G306 on p. 3; Replaced 124DK13 with 124DK31, and 124DK14 with 124DK32 on p. 4 |

Related Drawings

| Drawing No. | Title | Drawing No. | Title |
|-------------|--------------------------------|-------------|--------------------------------|
| AAA23500S | Assembly Access/S.E.S. Fixture | ABA23500S | Assembly Access/S.E.S. Fixture |
| AAA147PR | Faceplate | ABA174PR | Faceplate |

Related Documents

| Document ID | Title |
|---------------------|-------------------------------------|
| Order Form SU11-109 | Jamb Mounted Access/S.E.S. Switches |
| | |

Subject Matter Expert

| Name | Department |
|------------------|--------------------------|
| Lisa K. Mitchell | OSC, Service Engineering |

About Spare Parts Leaflets...

This document lists the lowest replaceable units (LRUs) for the standard version of the product. The LRUs are chosen by a team of Otis associates representing engineering and manufacturing.

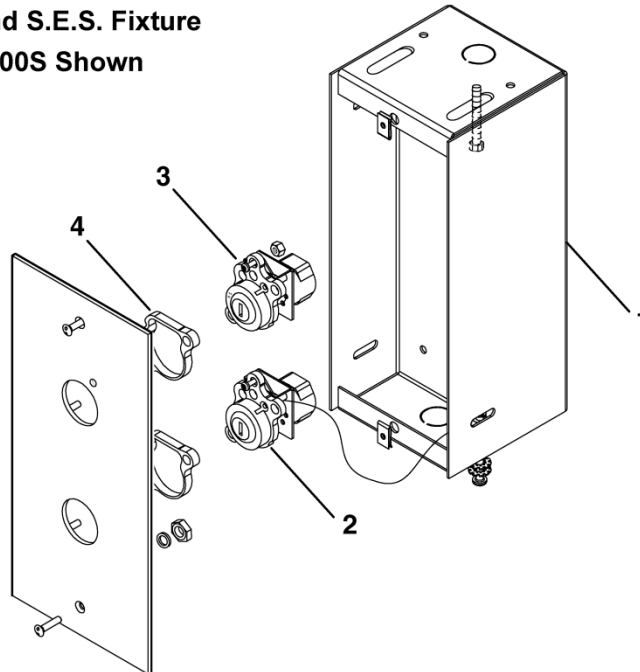
While goal of this document is to make parts identification as easy as possible, the document cannot be all-inclusive. Elevator and escalator contracts classified as "special" or "custom" are not addressed here. For such contracts, please refer to specified information, the contract folder, TIPS, Field Education Articles, Construction Letters, etc. for further information.

If you have any suggestions about this document, please contact the subject matter expert listed on this page.

Fixture Components

32-AAA23500S

**Typical Access and S.E.S. Fixture
Type AAA23500S Shown**

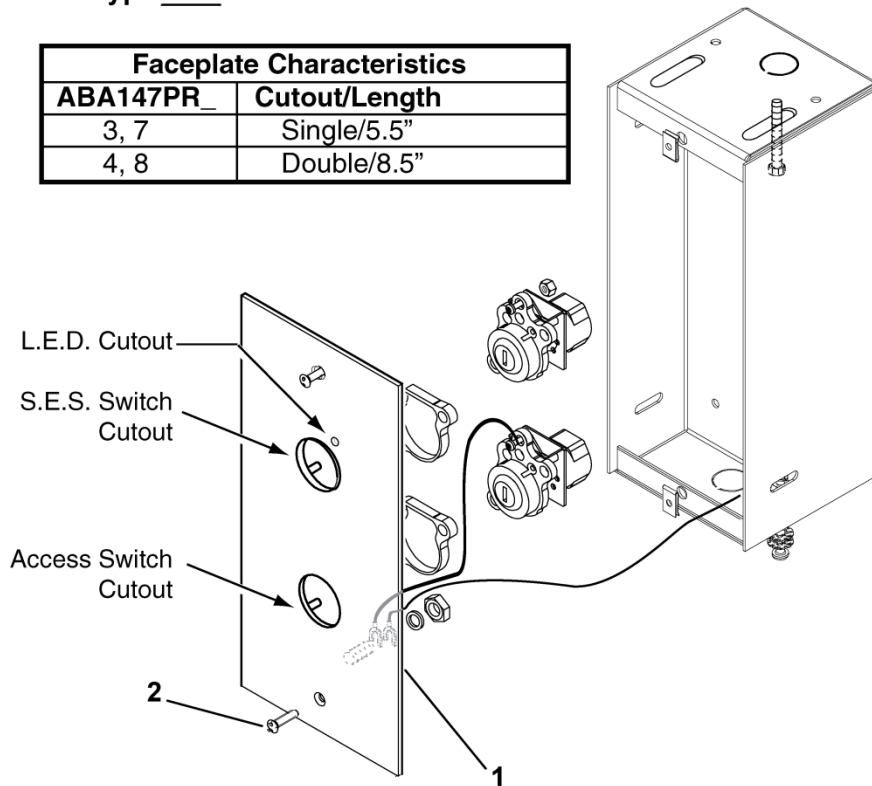


W/O VINTAGE &
ABA23500S

| REF. No. | PART No. | DESCRIPTION |
|----------|---|--|
| 1 | AAA313CS1 | Box, 4.88 in. L |
| | AAA313CS2 | Box, 7.88 in. L |
| 2 | AAB23500G3 ABA23500G93 ABA23500G293 | Keyswitch Assembly, Access, Pre ANSI A17.1 2013 Code 👁️ SPL 31-AAA23500F |
| | ABA23500G306 | Keyswitch Assembly, Access, ANSI A17.1 2013 Code 👁️ SPL 31-AAA23500F |
| 3 | AAB23500G64 ABA23500G61 | Keyswitch Assembly, S.E.S. Phase 1, 👁️ SPL 31-AAA23500F Code: ANSI 1987, CA, PA |
| | AAB23500G26 ABA23500G26 | Code: B44 Manual |
| | AAB23500H4 ABA23500W1 | Code: Chicago |
| | AAB23500H3 ABA23500H3 | Code: NYC |
| | AAB23500H5 ABA23500H5 | Code: MA |
| | AAB23500K4 ABA23500K1 | Code: CT |
| | AAB23500AD4 ABA23500AD1 | Code: SC |
| 4 | AAA462JS2 | Spacer (1 per keyswitch) |

Type **ABA23500S** Fixture Shown

| Faceplate Characteristics | |
|---------------------------|---------------|
| ABA147PR_ | Cutout/Length |
| 3, 7 | Single/5.5" |
| 4, 8 | Double/8.5" |



W/O VINTAGE &
ABA23500S

| REF. No. | PART No. | DESCRIPTION | | | |
|----------|--------------------|---|-------------------------|---------------|---|
| | | Faceplate with Keyswitch Mounting Studs | | | |
| | | Access Cutout | S.E.S. Cutout | L.E.D. Cutout | Code |
| 1 | ABA147PR7-* | w/o | w | w | CT, B44 Manual |
| | ABA147PR8-* | w | w | w | |
| | ABA147PR3-* | w/o | w | w/o | ANSI 1987, CA, PA, Chicago, NYC, MA, SC |
| | ABA147PR4-* | w | w | w/o | |
| | ABA147PR3-* | w | w/o | w/o | w/o Code |
| 2 | 124DK1 | Screw, Oval Head, Tamper Resistant, 8-32 x 0.75 in. L | SSB (brushed stainless) | | |
| | 124DK13 124DK31 | | SSM (mirror stainless) | | |
| | 124DK2 | | GOLDB (brushed bronze) | | |
| | 124DK14 124DK32 | | GOLDM (mirror bronze) | | |

* When ordering, specify brushed stainless steel (SS4) or brushed bronze (BR7) material/finish. e.g. ABA147PR7-SS4