

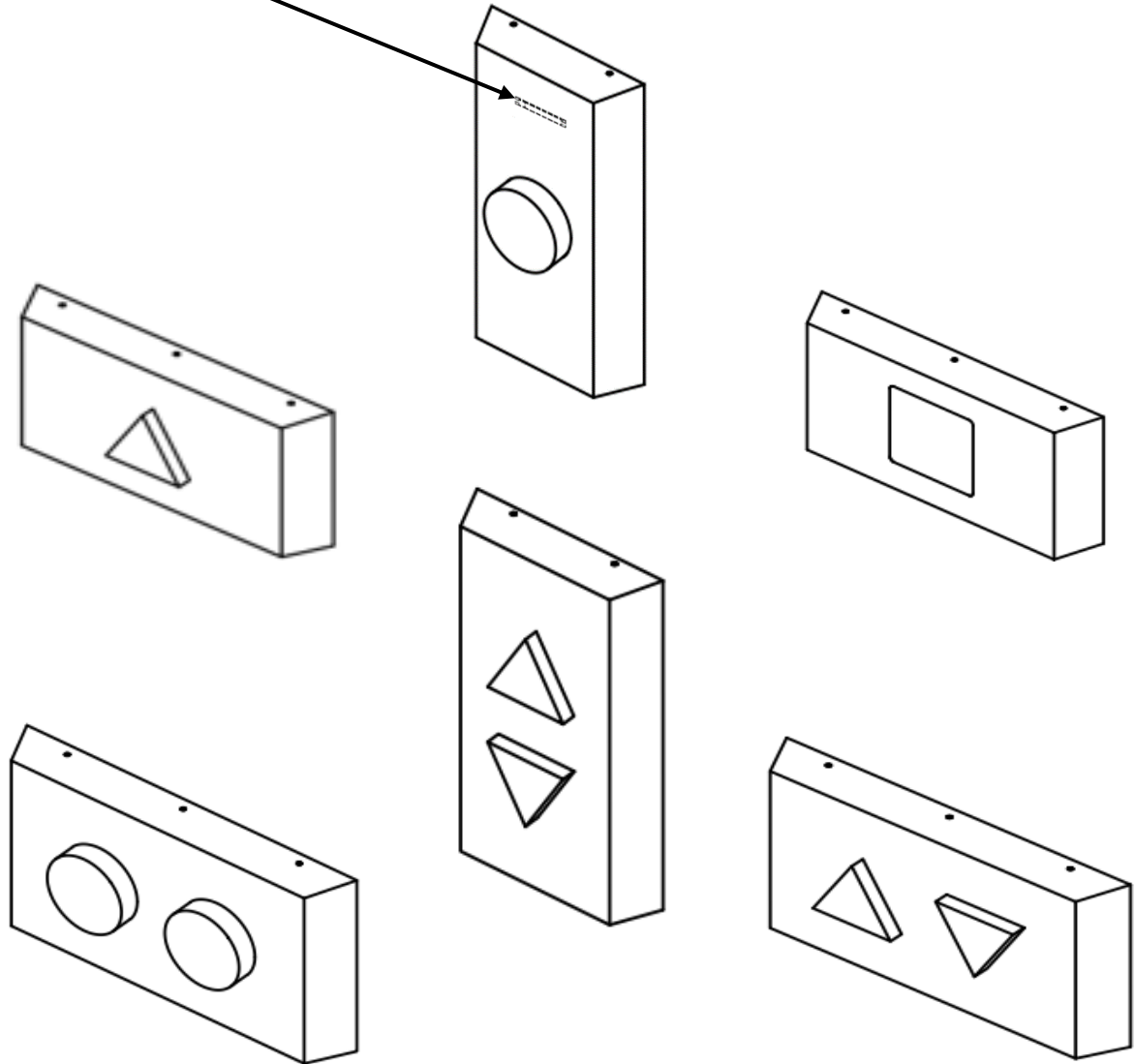
# Surface Mount Hall Lantern Assembly

**Spare Parts Leaflet**

**32-AAA23550AJ**

**April 19, 2023 / Page 1 of 8**

32 A - AAA23550AJ



**OTIS**

This document does not contain any technical data subject to EAR or ITAR

**SERVICE ENGINEERING**

**Otis Elevator Company**

**Bloomfield, Connecticut USA**

Unpublished Work—© Otis Elevator Co.; 2023

**Leaflet Description**

This leaflet provides information for surface mount hall lantern assemblies as a replacement for AAA23550AF (all) and AAA23550AA (partially) hall lantern using CE Electronics Lantern PCBs. New assemblies based on new ABA26800BAN, ABA26800BCM, and ABA26800BCD Otis PCBs. The leaflet includes all types of hall lanterns with FS4 (covering SS4 & MF4), SS8, BR7, and BR8 finishes.

**Leaflet Revisions**

<b>Date Revised</b>	<b>Subject Matter Expert</b>	<b>Reason for Revision</b>
April 19, 2023	Vadzim Fedarenka	New SPL

**Related Drawings**

<b>Drawing No.</b>	<b>Title</b>	<b>Drawing No.</b>	<b>Title</b>
AAA23550AJ	Surface Mount Hall Lantern Assy	AAA17ABC	Plate, Face

**Related Documents**

<b>Document ID</b>	<b>Title</b>
TIP 4.0-40	<i>New OSC PSL/CAN Fixture Boards</i>

**Subject Matter Expert**

<b>Name</b>	<b>Department</b>
Vadzim Fedarenka	OSC Service Engineering

**About Spare Parts Leaflets...**

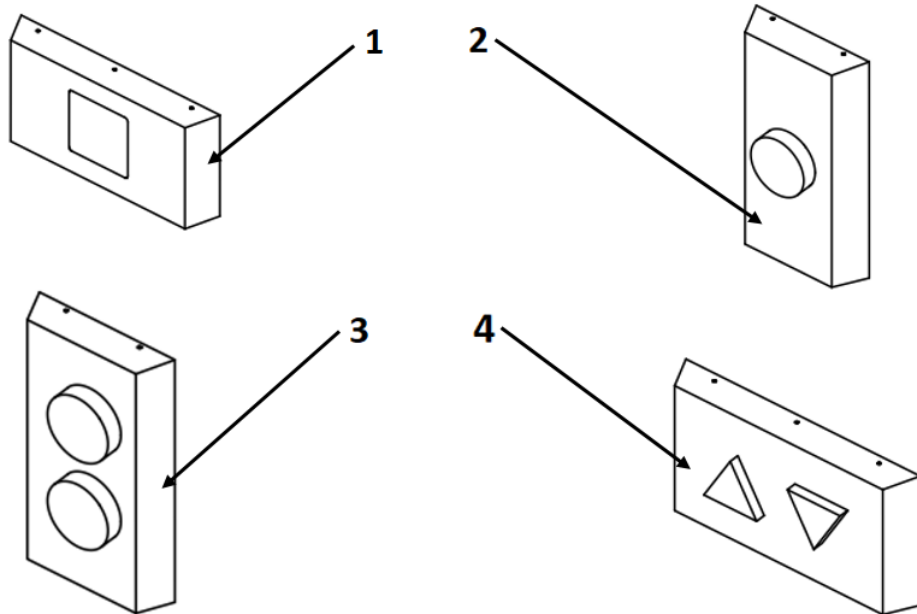
This document lists the lowest replaceable units (LRUs) for the standard version of the product. The LRUs are chosen by a team of Otis associates representing engineering and manufacturing.

While goal of this document is to make parts identification as easy as possible, the document cannot be all-inclusive. Elevator and escalator contracts classified as "special" or "custom" are not addressed here. For such contracts, please refer to specified information, the contract folder, TIPs, Field Education Articles, Construction Letters, etc. for further information.

If you have any suggestions about this document, please contact the subject matter expert listed on this page.

# Hall Lantern Assembly Identification

**32-AAA23550AJ**



AAA23550AJ		
REF. No.	PART No.	DESCRIPTION
1	AAA23550AJ1-...*	Assembly, Hall Lantern, Horizontal, (1) Square Flush DI
	AAA23550AJ3-...*	Assembly, Hall Lantern, Horizontal, (1) Circle Raised DI (not shown)
	AAA23550AJ4-...*	Assembly, Hall Lantern, Horizontal, (1) Triangle Up Raised DI (not shown)
	AAA23550AJ5-...*	Assembly, Hall Lantern, Horizontal, (1) Triangle Down Raised DI (not shown)
2	AAA23550AJ2-...*	Assembly, Hall Lantern, Vertical, (1) Square Flush DI (not shown)
	AAA23550AJ6-...*	Assembly, Hall Lantern, Vertical, (1) Circle Raised DI
	AAA23550AJ7-...*	Assembly, Hall Lantern, Vertical, (1) Triangle Up Raised DI (not shown)
	AAA23550AJ8-...*	Assembly, Hall Lantern, Vertical, (1) Triangle Down Raised DI (not shown)
3	AAA23550AJ11-...*	Assembly, Hall Lantern, Vertical, (2) Circle Raised DI
	AAA23550AJ12-...*	Assembly, Hall Lantern, Vertical, (2) Triangle Up & Down Raised DI (not shown)
4	AAA23550AJ9-...*	Assembly, Hall Lantern, Horizontal, (2) Circle Raised DI (not shown)
	AAA23550AJ10-...*	Assembly, Hall Lantern, Horizontal, (2) Triangle Up & Down Raised DI

\* When ordering, specify finish. The available finishes are:

FS4 – Ferritic Stainless Steel (Brushed) (same marking if SS4 Otis #4 Stainless Steel required)

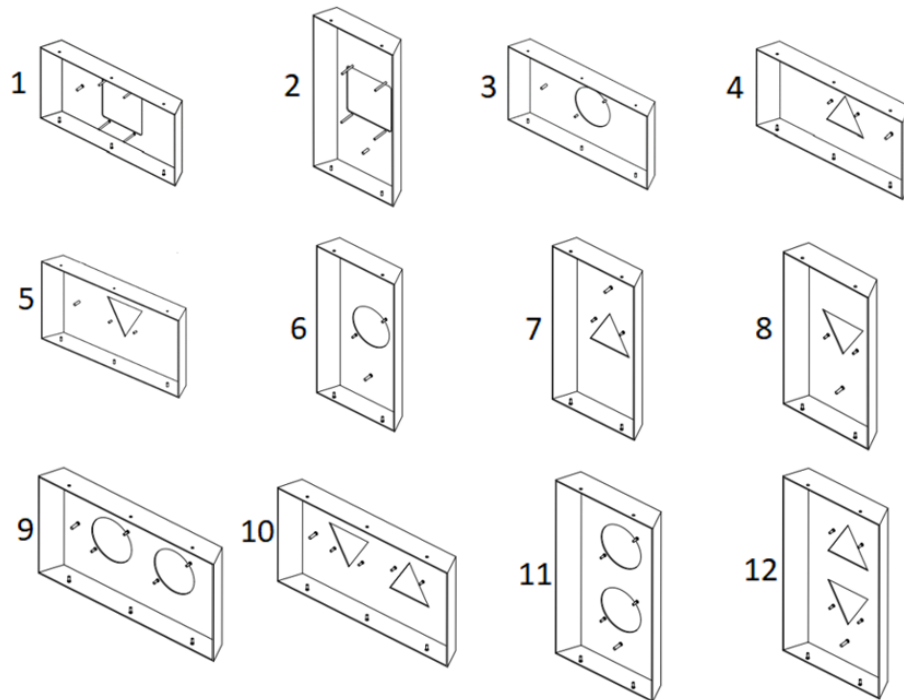
SS8 – Otis #8 Stainless Steel (Mirrored)

BR7 – Otis #7 Brass (Brushed and Lacquered)

BR8 – Otis #8 Brass (Mirrored and Lacquered)

**Example:**

AAA23550AJ6-SS8 is Vertical Otis #8 Mirrored Stainless Steel Finish Hall Lantern with (1) Raised Circle Lens.



**AAA23550AJ**

REF. No.	PART No.	DESCRIPTION
1	AAA147ABC33-...*	Faceplate, Horizontal, (1) Square Cutout, 307.9 x 158.7 x 41.9
2	AAA147ABC34-...*	Faceplate, Vertical, (1) Square Cutout, 164.5 x 305 x 41.9
3	AAA147ABC35-...*	Faceplate, Horizontal, (1) Circle Cutout, 307.9 x 158.7 x 41.9
4	AAA147ABC36-...*	Faceplate, Horizontal, (1) Triangle Up Cutout, 307.9 x 158.7 x 41.9
5	AAA147ABC37-...*	Faceplate, Horizontal, (1) Triangle Down Cutout, 307.9 x 158.7 x 41.9
6	AAA147ABC38-...*	Faceplate, Vertical, (1) Circle Cutout, 164.5 x 305 x 41.9
7	AAA147ABC39-...*	Faceplate, Vertical, (1) Triangle Up Cutout, 164.5 x 305 x 41.9
8	AAA147ABC40-...*	Faceplate, Vertical, (1) Triangle Down Cutout, 164.5 x 305 x 41.9
9	AAA147ABC41-...*	Faceplate, Horizontal, (2) Circle Cutouts, 338.5 x 182.7 x 41.9
10	AAA147ABC42-...*	Faceplate, Horizontal, (2) Triangle Up & Down Cutouts, 338.5 x 182.7 x 41.9
11	AAA147ABC43-...*	Faceplate, Vertical, (2) Circle Cutouts, 188.5 x 330.8 x 41.9
12	AAA147ABC44-...*	Faceplate, Vertical, (2) Triangle Up & Down Cutouts, 188.5 x 330.8 x 41.9

\* When ordering, specify finish. The available finishes are:

FS4 – Ferritic Stainless Steel (Brushed) (same marking if SS4 Otis #4 Stainless Steel required)

SS8 – Otis #8 Stainless Steel (Mirrored)

BR7 – Otis #7 Brass (Brushed and Lacquered)

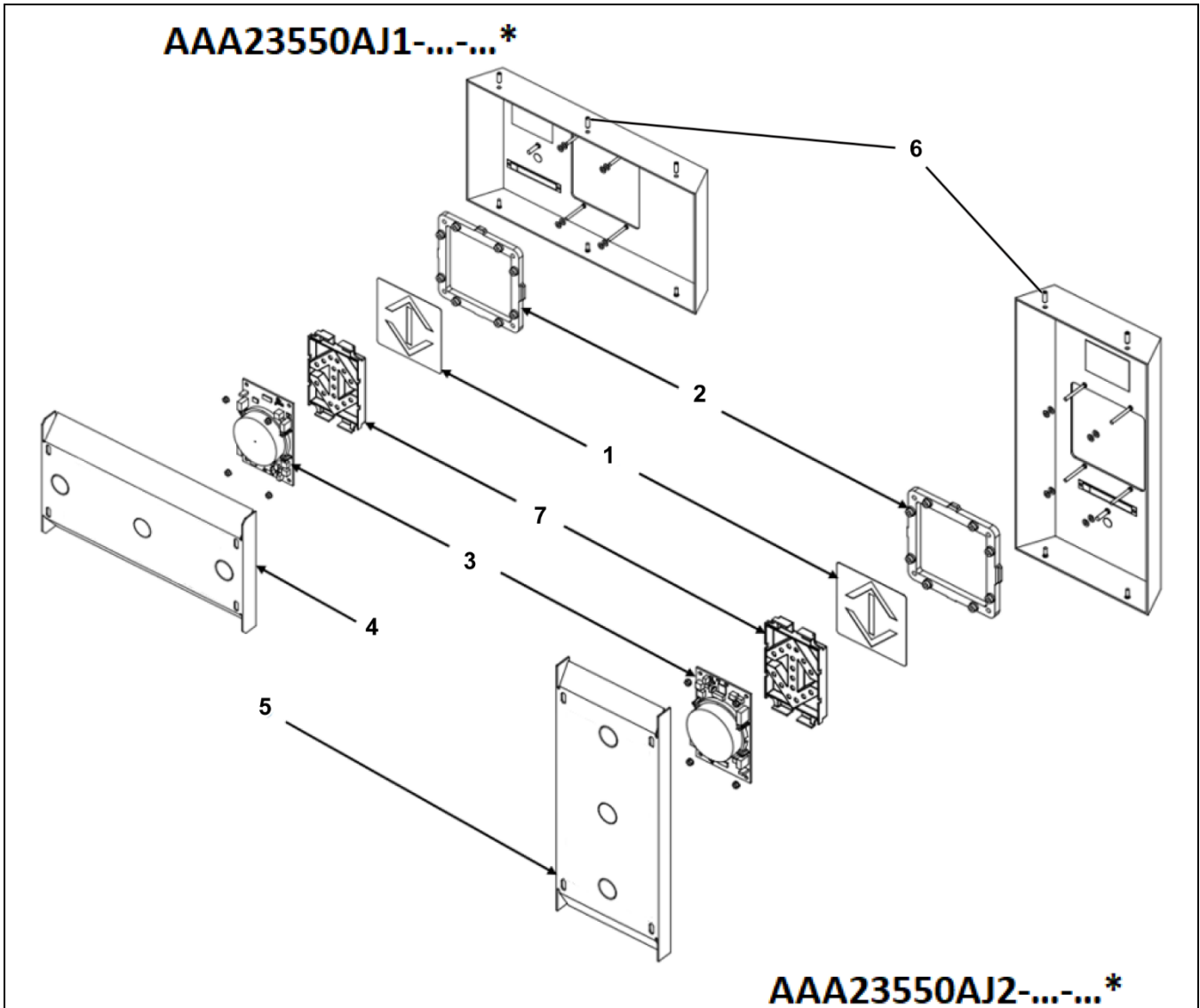
BR8 – Otis #8 Brass (Mirrored and Lacquered)

**Example:**

AAA147ABC42-BR7 is Horizontal Otis #7 Brass Brushed Finish Faceplate

# Assembly with Square Lens Components

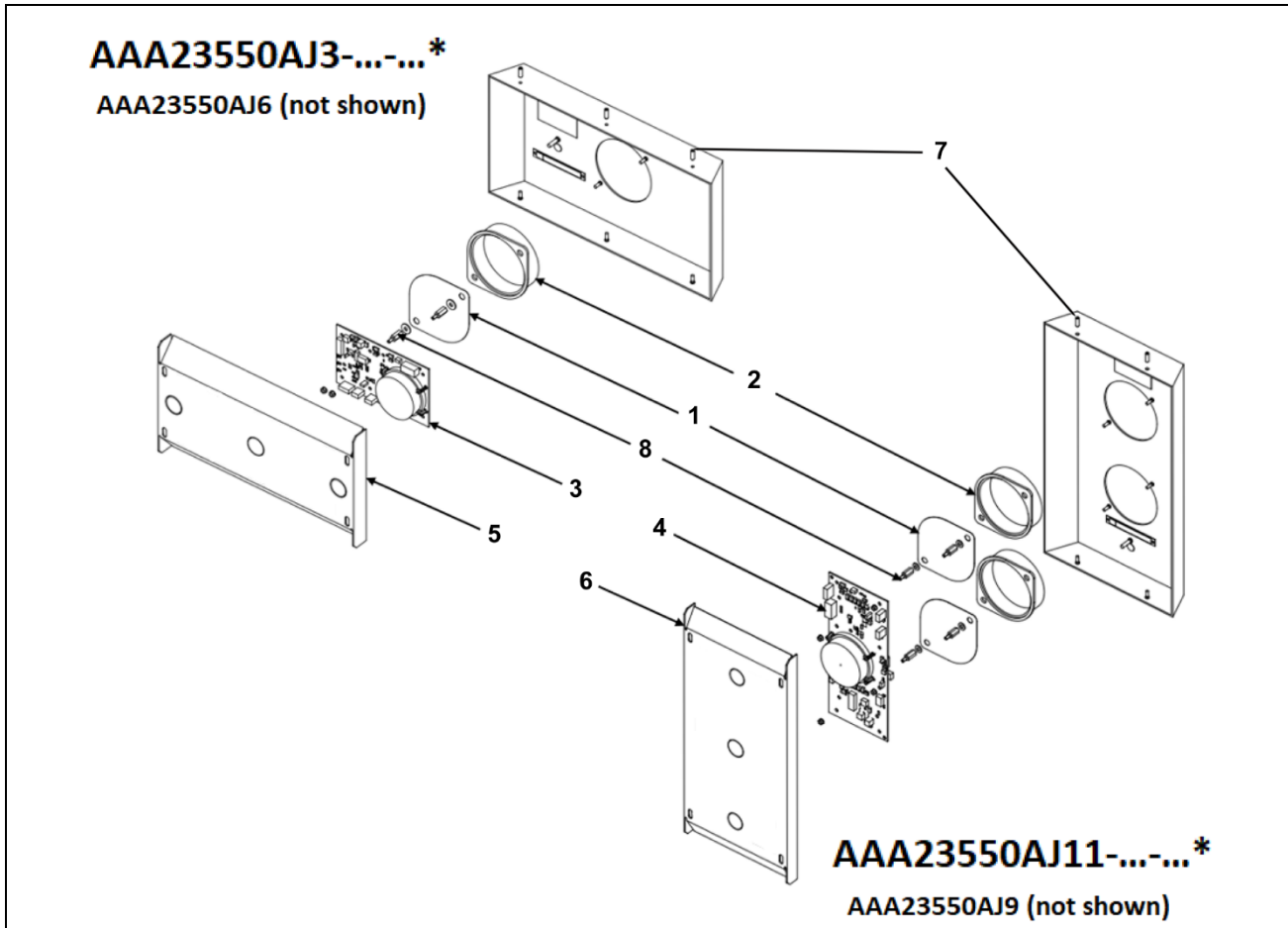
**32-AAA23550AJ**



AAA23550AJ		
REF. No.	PART No.	DESCRIPTION
1	449BH2	Diffuser, Arrow
2	443CC4	Lens, Square, Grey w/ Matte Finish
3	ABA26800BAN1	PCB, Arrow Direction Indicator, Red/Green/Blue/White Illuminated
4	AAA386MCF3	Plate, Backing, Horizontal, 270.4 x 150.5 mm (for AAA23550AJ1)
5	AAA386MCF6	Plate, Backing, Vertical, 127 x 297 mm (for AAA23550AJ2)
6	ISO4026M4X12-45H-B	Screw, Socket Set, M4x12
7	AAA287ER1	Shield

# 32-AAA23550AJ

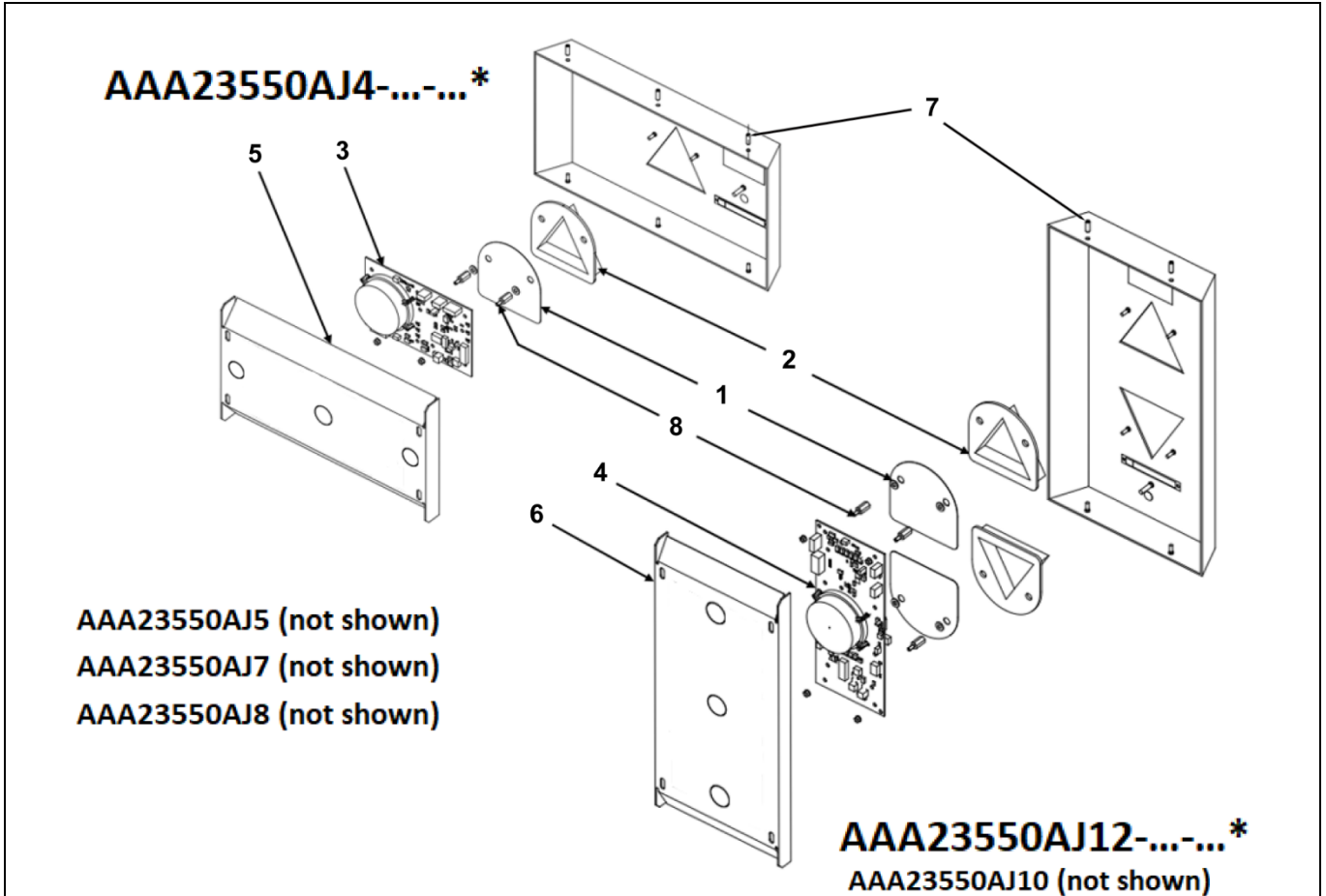
## Assembly with Circle Lens Components



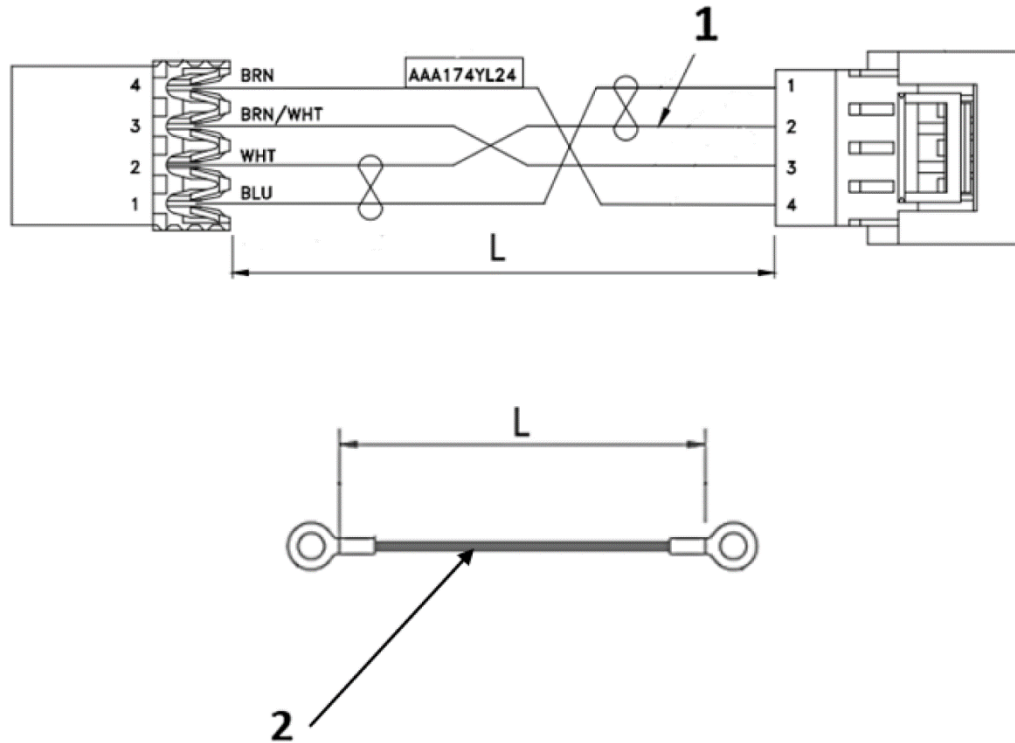
AAA23550AJ		
REF. No.	PART No.	DESCRIPTION
1	443BK5	Diffuser, Circle Lens
2	449BA1	Lens, Circle, Translucent White
3	ABA26800BCM1	PCB, Terminal Direction Indicator, (1) Direction, Red/Green/Blue Illuminated (for AAA23550AJ3 & 6)
4	ABA26800BCD1	PCB, Terminal Direction Indicator, (2) Directions, Red/Green/Blue/White Illuminated (for AAA23550AJ9 & 11)
5	AAA386MCF1	Plate, Backing, Horizontal, 301 X 174.5 mm (for AAA23550AJ9)
	AAA386MCF3	Plate, Backing, Horizontal, 270.4 X 150.5 mm (for AAA23550AJ3)
6	AAA386MCF4	Plate, Backing, Vertical, 151 X 322.8 mm (for AAA23550AJ6)
	AAA386MCF6	Plate, Backing, Vertical, 127 X 297 mm (for AAA23550AJ11)
7	ISO4026M4X12-45H-B	Screw, Socket Set, M4x12
8	354BX1	Stand-off

# Assembly with Triangle Lens Components

**32-AAA23550AJ**



AAA23550AJ		
REF. No.	PART No.	DESCRIPTION
1	443BK3	Diffuser, Triangle Lens
2	A449AS1	Lens, Triangle, Translucent White
3	ABA26800BCM1	PCB, Terminal Direction Indicator, (1) Direction, Red/Green/Blue Illuminated (for AAA23550AJ4,5,7 & 8)
4	ABA26800BCD1	PCB, Terminal Direction Indicator, (2) Directions, Red/Green/Blue/White Illuminated (for AAA23550AJ10 & 12)
5	AAA386MCF1	Plate, Backing, Horizontal, 301 x 174.5 mm (for AAA23550AJ10)
	AAA386MCF3	Plate, Backing, Horizontal, 270.4 x 150.5 mm (for AAA23550AJ4 & 5)
6	AAA386MCF4	Plate, Backing, Vertical, 151 x 322.8 mm (for AAA23550AJ12)
	AAA386MCF6	Plate, Backing, Vertical, 127 x 297 mm (for AAA23550AJ7 & 8)
7	ISO4026M4X12-45H-B	Screw, Socket Set, M4x12
8	354BX1	Stand-off



AAA23550AJ		
REF. No.	PART No.	DESCRIPTION
1	AAA174YL24	Cable, RSL/CAN, L = 150 mm
2	AAA175ABY8	Cable, Faceplate Grounding, L = 610 mm
*	AAA174AHY7	Cable, Backing Plate Grounding, L = 1830 mm

\* not shown