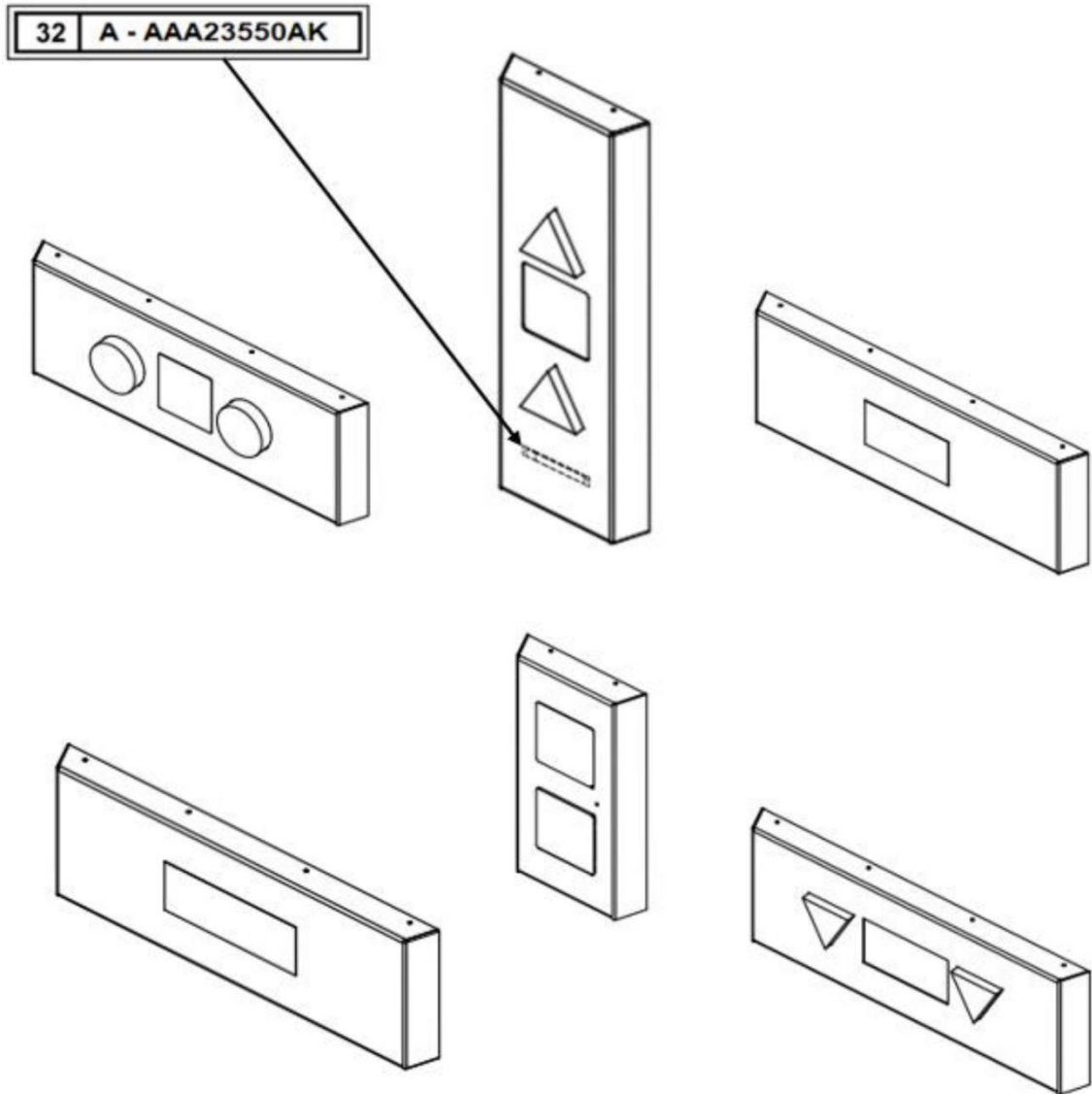


Surface Mount Hall Lantern with PI

Spare Parts Leaflet 32-AAA23550AK

July 19, 2023 / Page 1 of 13



OTIS

This document does not contain any
technical data subject to EAR or ITAR

SERVICE ENGINEERING
Otis Elevator Company
Bloomfield, Connecticut USA

Unpublished Work—© Otis Elevator Co.; 2023

Leaflet Description

This leaflet provides information for surface mount hall lantern with position indicator assemblies as a replacement for AAA23550AA hall lantern using CE Electronics PCBs. Besides, new arrangements created to cover all raising customer requirements. New assemblies based on new ACA26800AJX, ABA26800BAN, ABA26800BBR, AAA26800BBT, AAA26800BCE, AAA26800BCV, and AAA26800BDC Otis PCBs. The leaflet includes all types of hall lanterns with direction and position indicators with FS4 (covering SS4 & MF4), SS8, BR7, and BR8 finishes.

Leaflet Revisions

Date Revised	Subject Matter Expert	Reason for Revision
July 19, 2023	Vadzim Fedarenka	New SPL

Related Drawings

Drawing No.	Title	Drawing No.	Title
AAA23550AK	Surface Mount Hall Lantern with Position Indicator	AAA147ABC	Plate, Face

Related Documents

Document ID	Title
TIP 4.0-40	New OSC RSL/CAN Fixture Boards

Subject Matter Expert

Name	Department
Vadzim Fedarenka	OSC Service Engineering

About Spare Parts Leaflets...

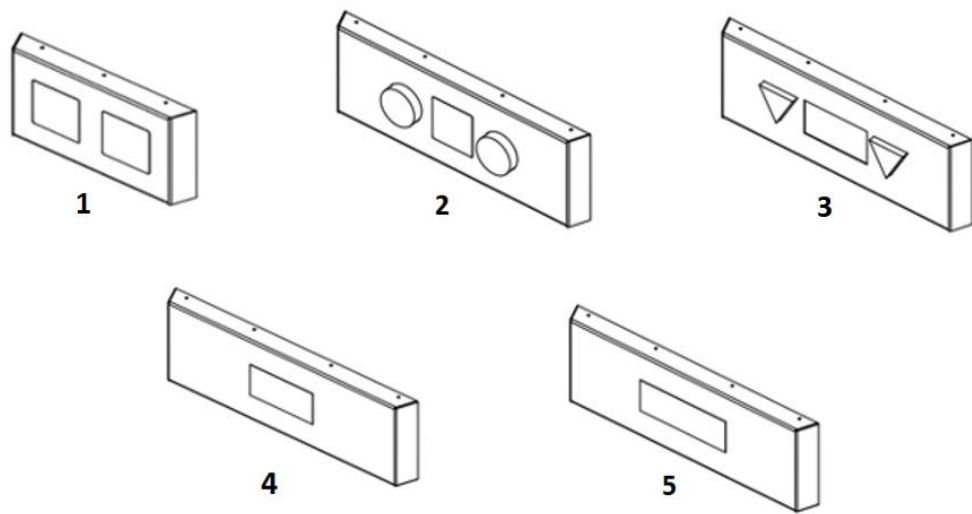
This document lists the lowest replaceable units (LRUs) for the standard version of the product. The LRUs are chosen by a team of Otis associates representing engineering and manufacturing.

While goal of this document is to make parts identification as easy as possible, the document cannot be all-inclusive. Elevator and escalator contracts classified as "special" or "custom" are not addressed here. For such contracts, please refer to specified information, the contract folder, TIPs, Field Education Articles, Construction Letters, etc. for further information.

If you have any suggestions about this document, please contact the subject matter expert listed on this page.

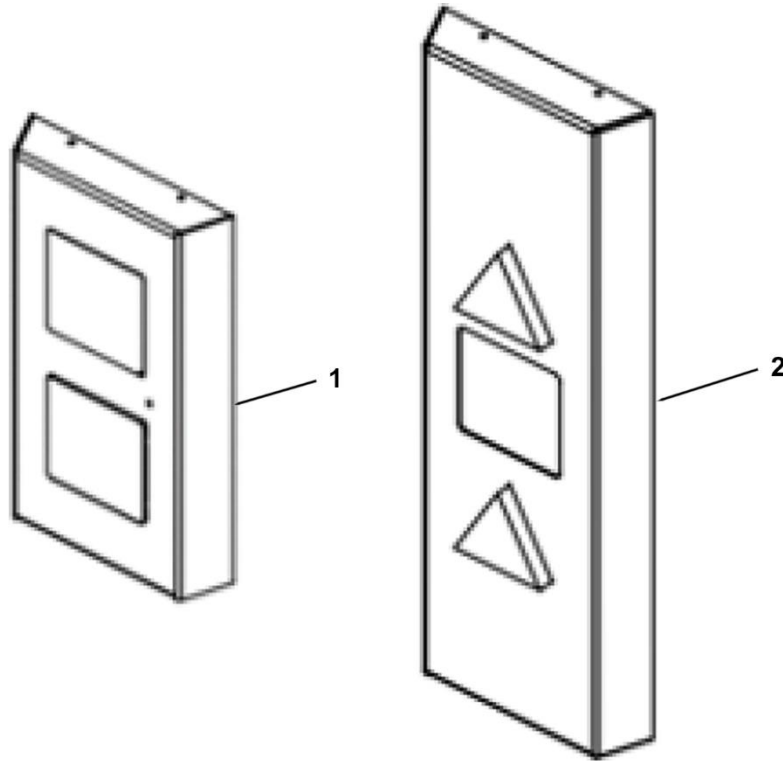
Hall Lantern Assembly Identification

32-AAA23550AK



AAA23550AK		
REF. No.	PART No.	DESCRIPTION
1	AAA23550AK1 -...-...*	Lantern, Hall, w/ CPI, Horizontal, Flush Square DI, 2-Digit PI, Red / Green / Blue Illuminated
2	AAA23550AK3 -...-...*	Lantern, Hall, w/ CPI, Horizontal, (2) Raised Circle DI, 2-Digit PI, Red / Green / Blue / White Illuminated
	AAA23550AK4 -...-...*	Lantern, Hall, w/ CPI, Horizontal, (2) Raised Triangle Down DI, 2-Digit PI, Red / Green / Blue / White Illuminated
	AAA23550AK5 -...-...*	Lantern, Hall, w/ CPI, Horizontal, (2) Raised Triangle Up DI, 2-Digit PI, Red / Green / Blue / White Illuminated
	AAA23550AK6 -...-...*	Lantern, Hall, w/ CPI, Horizontal, (2) Raised Triangle Up and Down DI, 2-Digit PI, Red / Green / Blue / White Illuminated
3	AAA23550AK11 -...-...*	Lantern, Hall, w/ CPI, Horizontal, (2) Raised Circle DI, 3-Digit PI, Red / Green / Blue / White Illuminated
	AAA23550AK12 -...-...*	Lantern, Hall, w/ CPI, Horizontal, (2) Raised Triangle Down DI, 3-Digit PI, Red / Green / Blue / White Illuminated
	AAA23550AK13 -...-...*	Lantern, Hall, w/ CPI, Horizontal, (2) Raised Triangle Up DI, 3-Digit PI, Red / Green / Blue / White Illuminated
	AAA23550AK14 -...-...*	Lantern, Hall, w/ CPI, Horizontal, (2) Raised Triangle Up & Down DI, 3-Digit PI, Red / Green / Blue / White Illuminated
4	AAA23550AK15 -...-...*	Lantern, Hall, w/ CPI, Horizontal, Flush Rectangle Lens DI & 2-Digit PI displayed, Red / Green / Blue / White Illuminated
5	AAA23550AK16 -...-...*	Lantern, Hall, w/ CPI, Horizontal, Flush Rectangle Lens DI & 3-Digit PI displayed, Red / Green / Blue / White Illuminated
	AAA23550AK17 -...-...*	Lantern, Hall, w/ CPI, Horizontal, Flush Rectangle Lens DI & 2-Digit PI & DI displayed, Red / Green / Blue / White Illuminated
	AAA23550AK18 -...-...*	Lantern, Hall, w/ CPI, Horizontal, Flush Rectangle Lens 3-Digit PI & DI displayed, Red / Green / Blue / White Illuminated

Continue next page



AAA23550AK		
REF. No.	PART No.	DESCRIPTION
1	AAA23550AK2 -...-...*	Lantern, Hall, w/ CPI, Vertical, Flush Square DI, 2-Digit PI, Red / Green / Blue Illuminated
2	AAA23550AK7 -...-...*	Lantern, Hall, w/ CPI, Vertical, (2) Raised Circle DI, 2-Digit PI, Red / Green / Blue / White Illuminated
	AAA23550AK8 -...-...*	Lantern, Hall, w/ CPI, Vertical, (2) Raised Triangle Down DI, 2-Digit PI, Red / Green / Blue / White Illuminated
	AAA23550AK9 -...-...*	Lantern, Hall, w/ CPI, Vertical, (2) Raised Triangle Up DI, 2-Digit PI, Red / Green / Blue / White Illuminated
	AAA23550AK10 -...-...*	Lantern, Hall, w/ CPI, Vertical, (2) Raised Triangle Up & Down DI, 2-Digit PI, Red / Green / Blue / White Illuminated

* When ordering, specify finish. The available finishes are:

FS4 – Ferritic Stainless Steel (Brushed) (same marking if **SS4** Otis #4 Stainless Steel required)

SS8 – Otis #8 Stainless Steel (Mirrored)

BR7 – Otis #7 Brass (Brushed and Lacquered)

BR8 – Otis #8 Brass (Mirrored and Lacquered)

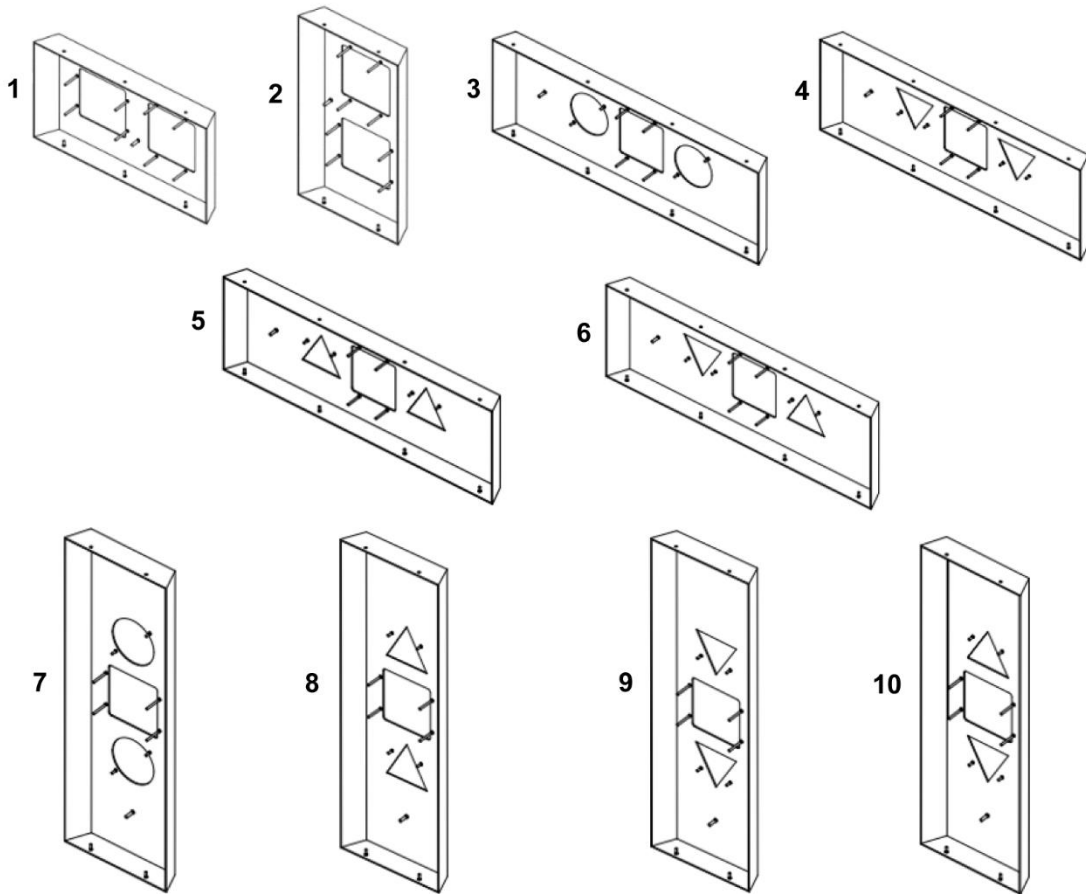
Example:

AAA23550AK16-BR8-BLUE

is Vertical Otis #8 Mirrored Brass Finished Hall Lantern with Car Position Indicator, Flush Rectangle Lens DI & 3-Digit PI displayed, Blue Illuminated color.

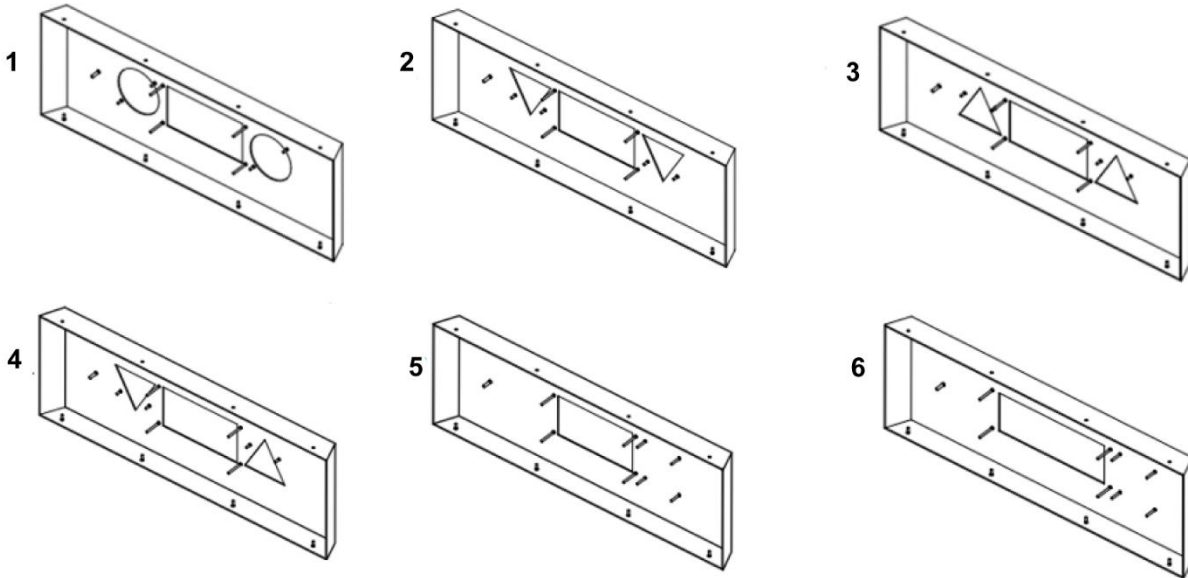
Faceplates

32-AAA23550AK



AAA23550AK		
REF. No.	PART No.	DESCRIPTION
1	AAA147ABC45 -...*	Faceplate, Horizontal, (2) Square cutouts, 338.5 x 182.7 x 41.9
2	AAA147ABC46 -...*	Faceplate, Vertical, (2) Square cutouts, 164.5 x 305 x 41.9
3	AAA147ABC47 -...*	Faceplate, Horizontal, (1) Square & (2) Circle Cutouts, 554 x 187.4 x 41.9
4	AAA147ABC48 -...*	Faceplate, Horizontal, (1) Square & (2) Triangle Down Cutouts, 554 x 187.4 x 41.9
5	AAA147ABC49 -...*	Faceplate, Horizontal, (1) Square & (2) Triangle Up Cutouts, 554 x 187.4 x 41.9
6	AAA147ABC50 -...*	Faceplate, Horizontal, (1) Square & (2) Triangle Up & Down Cutouts, 554 x 187.4 x 41.9
7	AAA147ABC51 -...*	Faceplate, Vertical, (1) Square & (2) Circle cutouts, 188.5 x 550.9 x 41.9
8	AAA147ABC52 -...*	Faceplate, Vertical, (1) Square & (2) Triangle Down Cutouts, 188.5 x 550.9 x 41.9
9	AAA147ABC53 -...*	Faceplate, Vertical, (1) Square & (2) Triangle Up Cutouts, 188.5 x 550.9 x 41.9
10	AAA147ABC54 -...*	Faceplate, Vertical, (1) Square & (2) Triangle Up & Down Cutouts, 188.5 x 550.9 x 41.9

Continue next page



AAA23550AK		
REF. No.	PART No.	DESCRIPTION
1	AAA147ABC55 -...*	Faceplate, Horizontal, (1) Rectangle & (2) Circle Cutouts, 554 x 187.4 x 41.9
2	AAA147ABC56 -...*	Faceplate, Horizontal, (1) Rectangle & (2) Triangle Down Cutouts, 554 x 187.4 x 41.9
3	AAA147ABC57 -...*	Faceplate, Horizontal, (1) Rectangle & (2) Triangle Up Cutouts, 554 x 187.4 x 41.9
4	AAA147ABC58 -...*	Faceplate, Horizontal, (1) Rectangle & (2) Triangle Up & Down Cutouts, 554 x 187.4 x 41.9
5	AAA147ABC59 -...*	Faceplate, Horizontal, (1) Rectangle Cutout, 554 x 187.4 x 41.9
6	AAA147ABC60 -...*	Faceplate, Horizontal, (1) Rectangle Cutout (wide), 554 x 187.4 x 41.9

* When ordering, specify finish. The available finishes are:

FS4 – Ferritic Stainless Steel (Brushed) (same marking if **SS4** Otis #4 Stainless Steel required)

SS8 – Otis #8 Stainless Steel (Mirrored)

BR7 – Otis #7 Brass (Brushed and Lacquered)

BR8 – Otis #8 Brass (Mirrored and Lacquered)

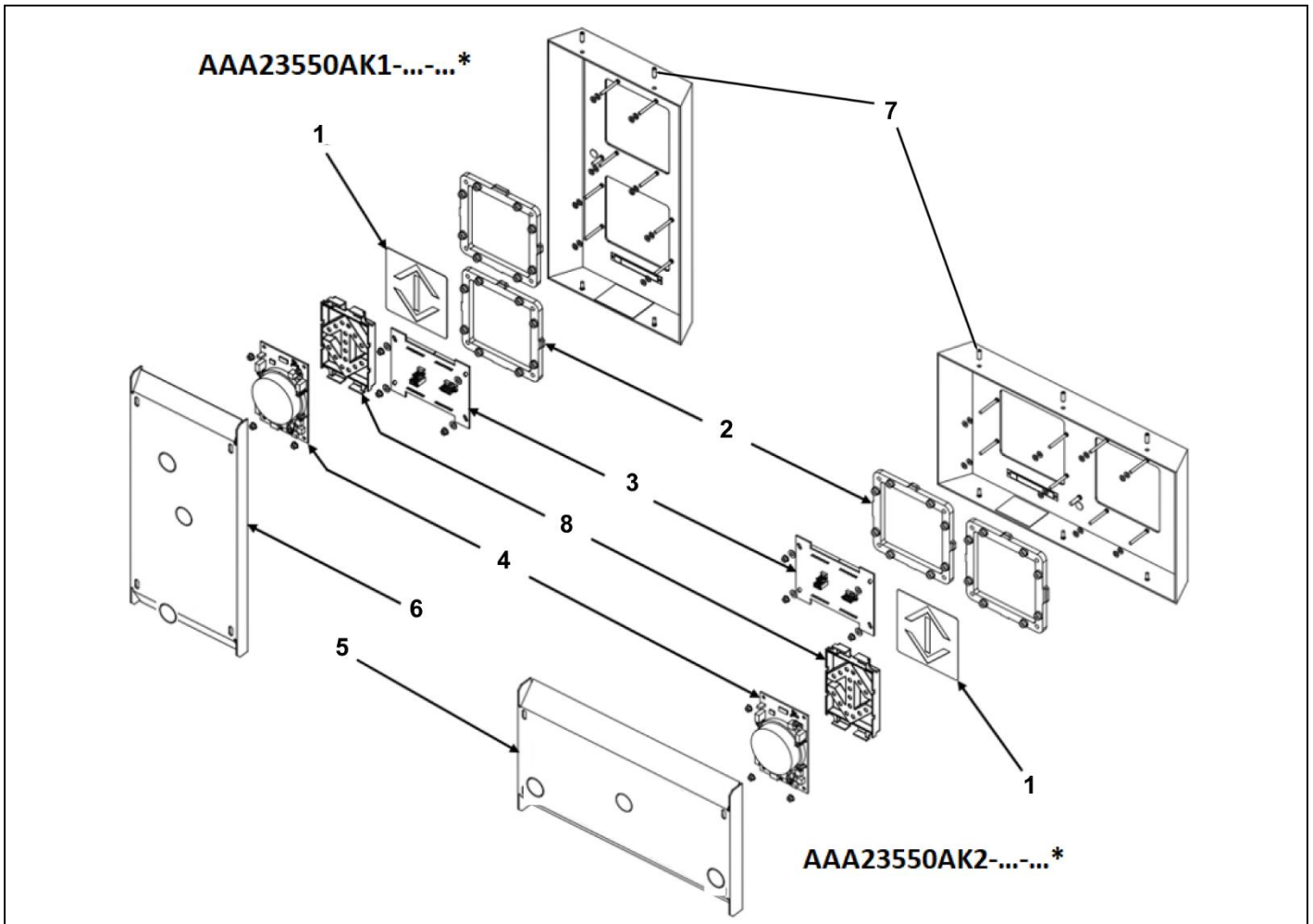
Example:

AAA147ABC55-BR8

is Horizontal Otis #8 Brass Mirrored Finished Faceplate

Assembly w/ Square Lens Components

32-AAA23550AK

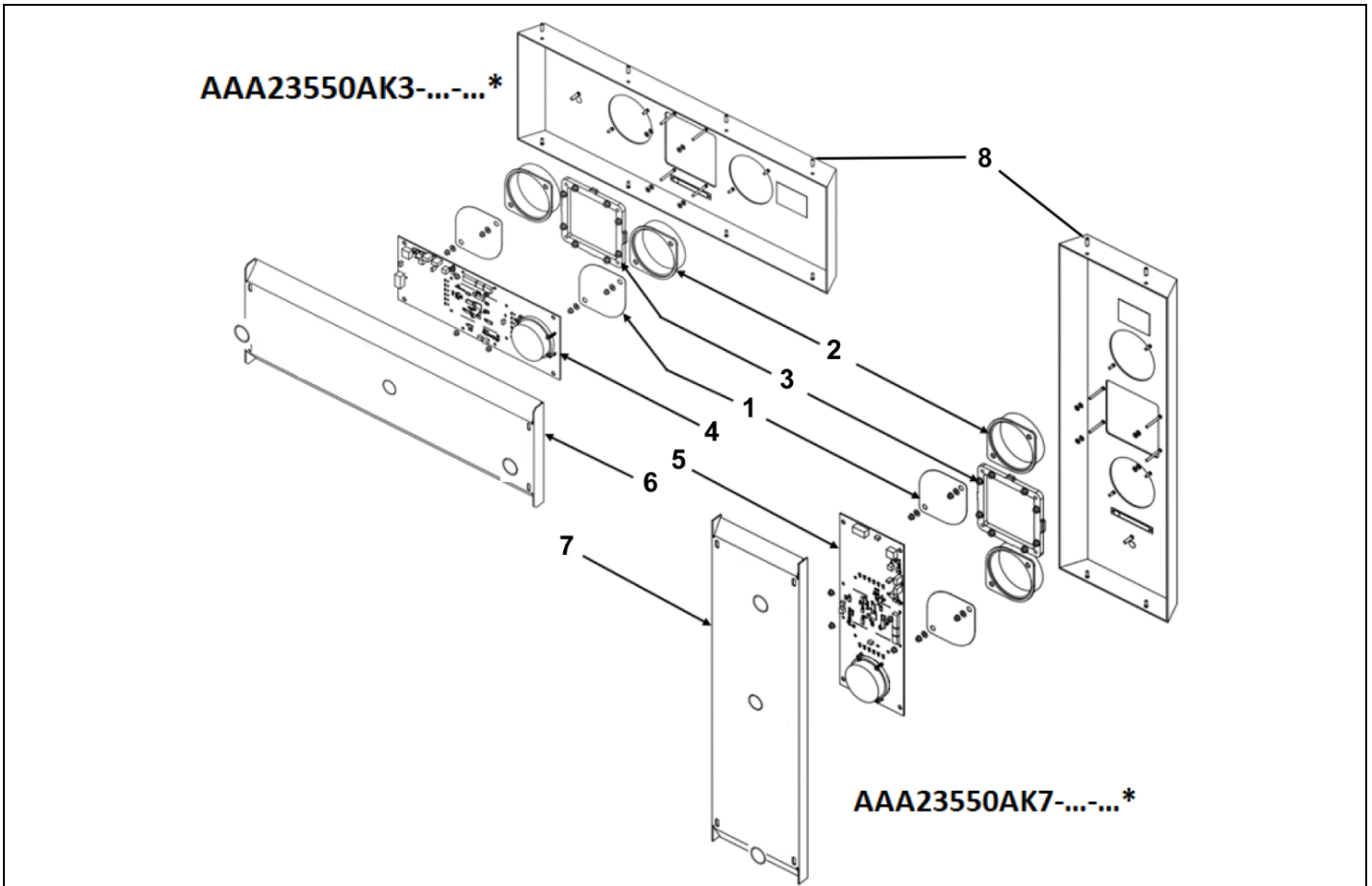


AAA23550AK		
REF. No.	PART No.	DESCRIPTION
1	449BH2	Diffuser, Arrow
2	443CC4	Lens, Square, Gray w/ Matte Finish
3	ACA26800AJX1	PCB, 2-Digit Position Indicator, Red Illuminated
	ACA26800AJX4	PCB, 2-Digit Position Indicator, Green Illuminated
	ACA26800AJX5	PCB, 2-Digit Position Indicator, Blue Illuminated
4	ABA26800BAN1	PCB, Direction Indicator, Red / Green / Blue / White Illuminated
5	AAA386MCF1*	Plate, Backing, Horizontal, 301 x 174.5
6	AAA386MCF4**	Plate, Backing, Vertical, 151 x 322.8
7	ISO4026M4X12-45H-B	Screw, Socket Set, M4x12
8	AAA287ER1	Shield

* for AAA23550AK1

** for AAA23550AK2

**Assembly w/ Circle Lens
Components**



AAA23550AK		
REF. No.	PART No.	DESCRIPTION
1	443BK5	Diffuser, Circle Lens
2	449BA1	Lens, Circle, Translucent White
3	443CC4	Lens, Square, Gray w/ Matte Finish
4	ABA26800BBR1	PCB, 2-Digit Position Indicator, Horizontal, Red Illuminated
	ABA26800BBR2	PCB, 2-Digit Position Indicator, Horizontal, Green Illuminated
	ABA26800BBR3	PCB, 2-Digit Position Indicator, Horizontal, Blue Illuminated
	ABA26800BBR4	PCB, 2-Digit Position Indicator, Horizontal, White Illuminated
5	AAA26800BBT1	PCB, 2-Digit Position Indicator, Vertical, Red Illuminated
	AAA26800BBT2	PCB, 2-Digit Position Indicator, Vertical, Green Illuminated
	AAA26800BBT3	PCB, 2-Digit Position Indicator, Vertical, Blue Illuminated
	AAA26800BBT4	PCB, 2-Digit Position Indicator, Vertical, White Illuminated
6	AAA386MCF2*	Plate, Backing, Horizontal, 481 x 174.5
7	AAA386MCF5**	Plate, Backing, Vertical, 151 x 465
8	ISO4026M4X12-45H-B	Screw, Socket Set, M4x12

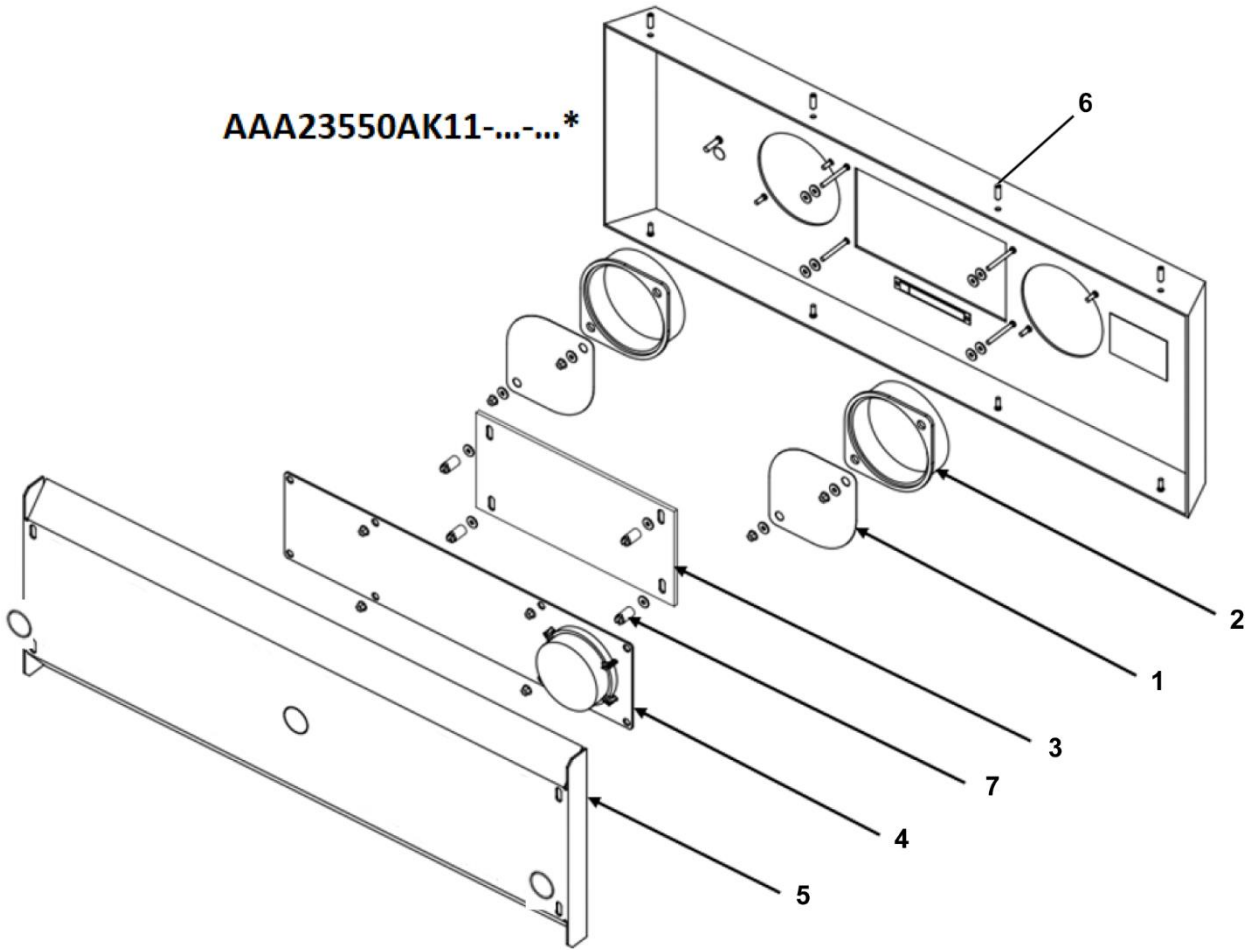
* for AAA23550AK3

** for AAA23550AK7

Assembly w/ Circle Lens Components

32-AAA23550AK

AAA23550AK11-...-...*



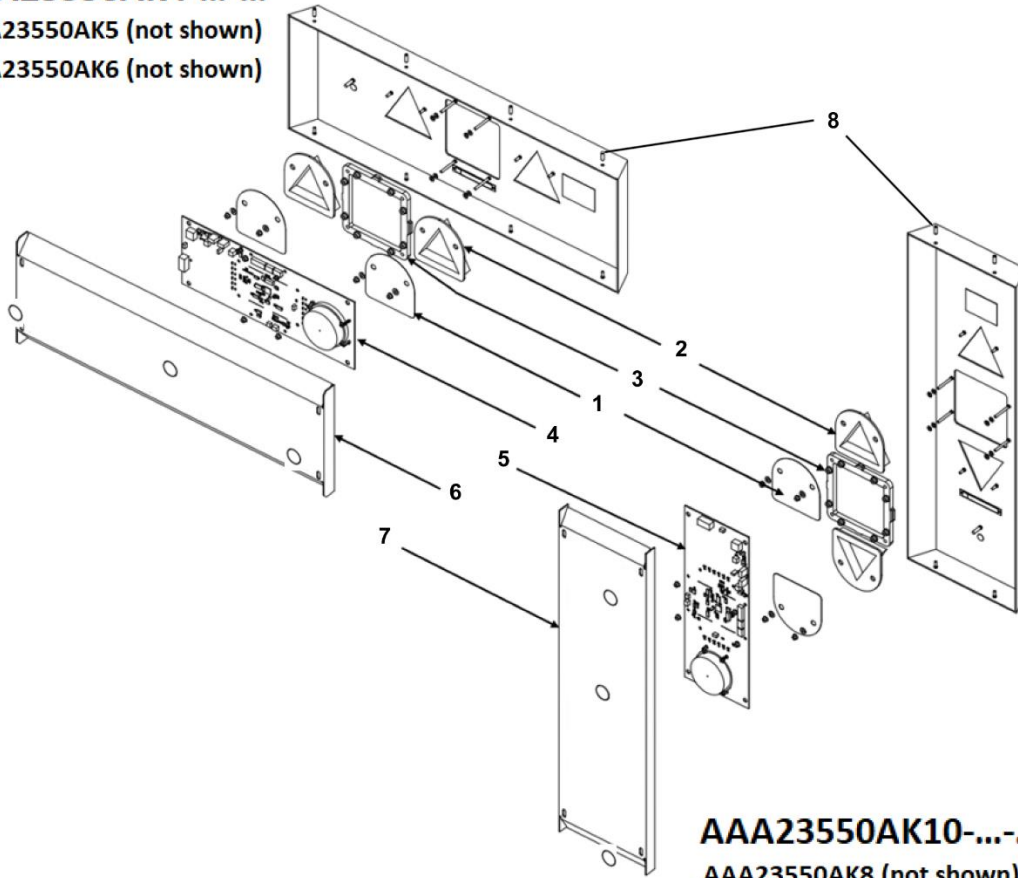
AAA23550AK		
REF. No.	PART No.	DESCRIPTION
1	443BK5	Diffuser, Circle Lens
2	449BA1	Lens, Circle, Translucent White
3	AAA443FP5	Lens, Rectangle, Dark Gray
4	ABA26800BCE1	PCB, 3-Digit Position Indicator, Horizontal, Red Illuminated
	ABA26800BCE2	PCB, 3-Digit Position Indicator, Horizontal, Green Illuminated
	ABA26800BCE3	PCB, 3-Digit Position Indicator, Horizontal, Blue Illuminated
	ABA26800BCE4	PCB, 3-Digit Position Indicator, Horizontal, White Illuminated
5	AAA386MCF2	Plate, Backing, Horizontal, 481 x 174.5
6	ISO4026M4X12-45H-B	Screw, Socket Set, M4x12
7	AAA354DT5	Standoff

Assembly w/ Triangle Lens Components

AAA23550AK4-...-...*

AAA23550AK5 (not shown)

AAA23550AK6 (not shown)



AAA23550AK10-...-...*

AAA23550AK8 (not shown)

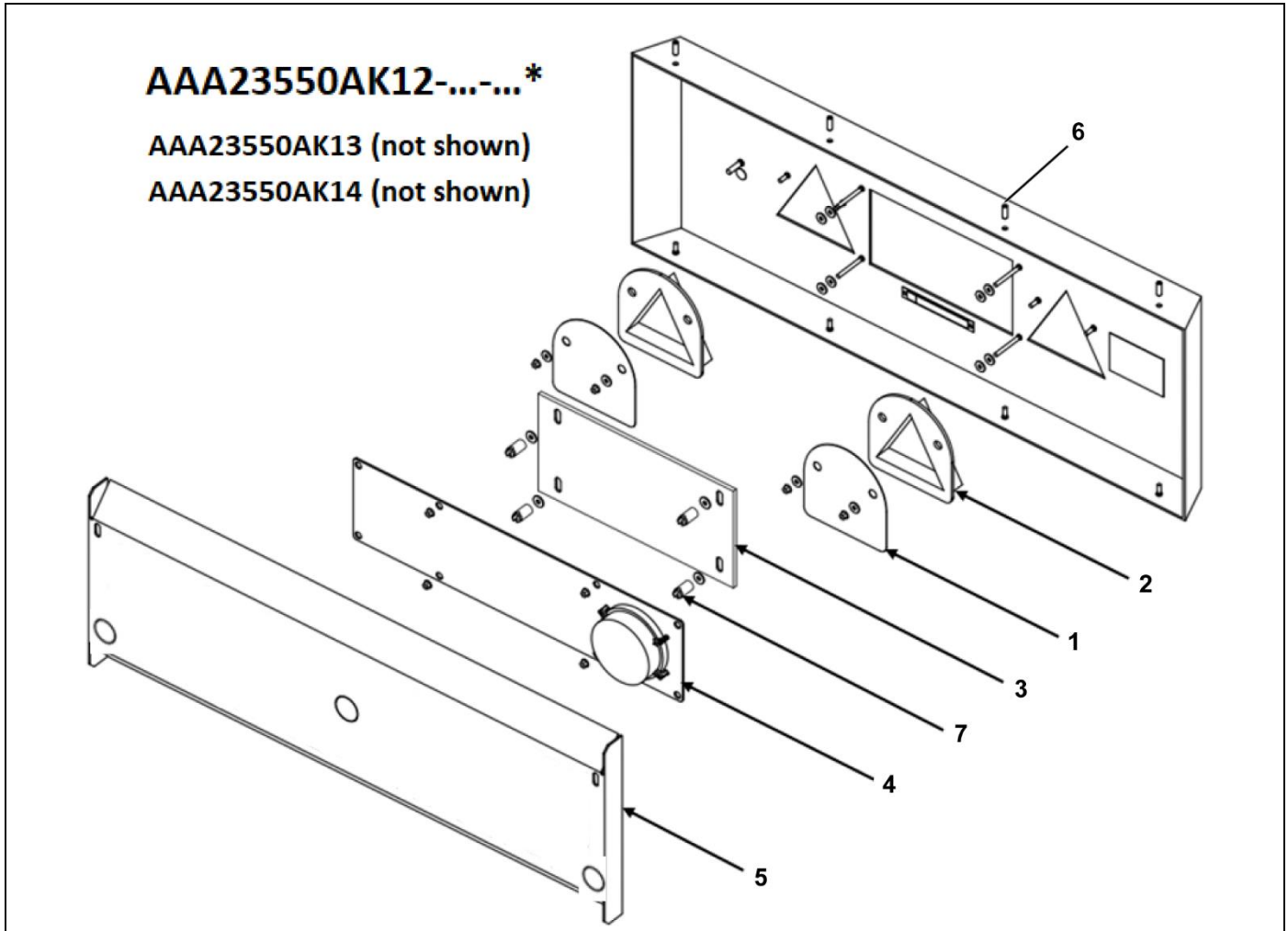
AAA23550AK9 (not shown)

AAA23550AK		
REF. No.	PART No.	DESCRIPTION
1	443BK3	Diffuser, Triangle Lens
2	A449AS1	Lens, Triangle, Translucent White
3	443CC4	Lens, Square, Grey w/ Matte Finish
4	ABA26800BBR1*	PCB, 2-Digit Position Indicator, Horizontal, Red Illuminated
	ABA26800BBR2*	PCB, 2-Digit Position Indicator, Horizontal, Green Illuminated
	ABA26800BBR3*	PCB, 2-Digit Position Indicator, Horizontal, Blue Illuminated
	ABA26800BBR4*	PCB, 2-Digit Position Indicator, Horizontal, White Illuminated
5	AAA26800BBT1**	PCB, 2-Digit Position Indicator, Vertical, Red Illuminated
	AAA26800BBT2**	PCB, 2-Digit Position Indicator, Vertical, Green Illuminated
	AAA26800BBT3**	PCB, 2-Digit Position Indicator, Vertical, Blue Illuminated
	AAA26800BBT4**	PCB, 2-Digit Position Indicator, Vertical, White Illuminated
6	AAA386MCF2	Plate, Backing, Horizontal, 481 x 174.5 (for AAA23550AK4, 5 & 6)
7	AAA386MCF4	Plate, Backing, Vertical, 151 x 322.8 (for AAA23550AK8, 9 & 10)
8	ISO4026M4X12-45H-B	Screw, Socket Set, M4x12

* for AAA23550AK4, 5 & 6

** for AAA23550AK8, 9 & 10

Assembly w/ Triangle Lens Components



AAA23550AK12-...-...*

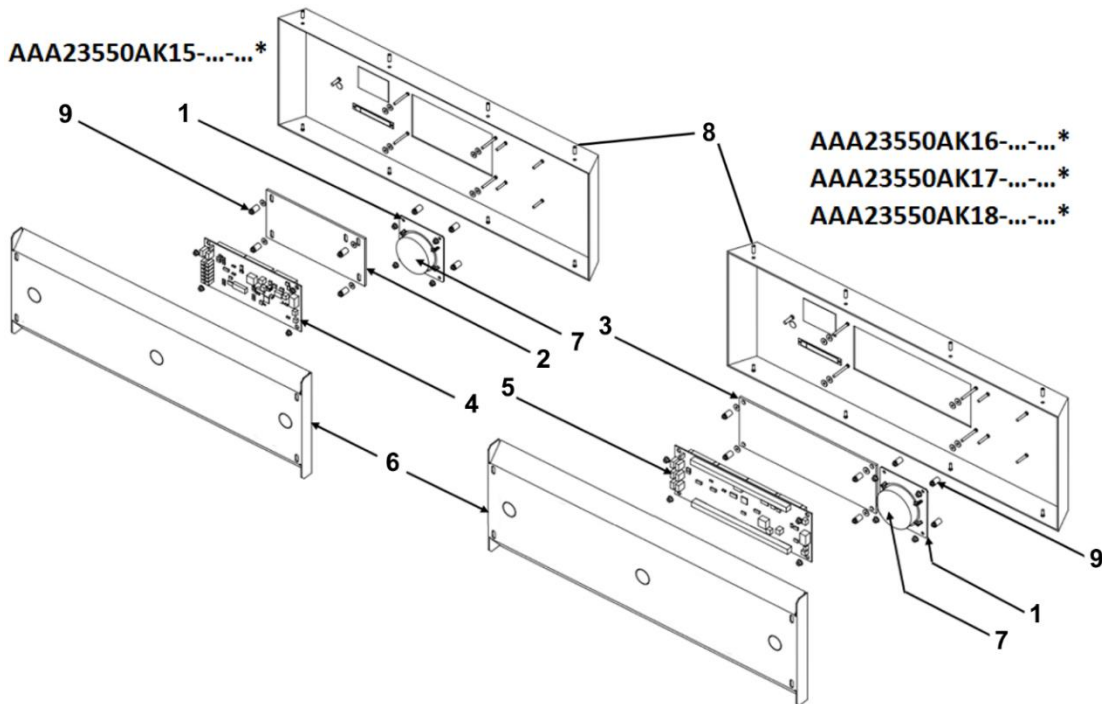
AAA23550AK13 (not shown)

AAA23550AK14 (not shown)

AAA23550AK		
REF. No.	PART No.	DESCRIPTION
1	443BK3	Diffuser, Triangle Lens
2	A449AS1	Lens, Triangle, Translucent White
3	AAA443FP5	Lens, Rectangle, Dark Gray, 142.5 x 70.1
4	ABA26800BCE1	PCB, 3-Digit Position Indicator, Horizontal, Red Illuminated
	ABA26800BCE2	PCB, 3-Digit Position Indicator, Horizontal, Green Illuminated
	ABA26800BCE3	PCB, 3-Digit Position Indicator, Horizontal, Blue Illuminated
	ABA26800BCE4	PCB, 3-Digit Position Indicator, Horizontal, White Illuminated
5	AAA386MCF2	Plate, Backing, Horizontal, 481 x 174.5
6	ISO4026M4X12-45H-B	Screw, Socket Set, M4x12
7	AAA354DT5	Standoff

Assembly w/ Rectangle Lens Components

32-AAA23550AK



REF. No.	AAA23550AK PART No.	DESCRIPTION
1	AAA180KZ1	Holder, Speaker
2	AAA443FP5	Lens, Rectangle, Dark Gray, 142.5 x 70.1
3	AAA443FP4	Lens, Rectangle, Dark Gray, 195.4 x 70.1
4	AAA26800BCV1*	PCB, 1-Digit DI (Up / Down) + 2-Digit PI, Horizontal, Red Illuminated
	AAA26800BCV2*	PCB, 1-Digit DI (Up / Down) + 2-Digit PI, Horizontal, Green Illuminated
	AAA26800BCV3*	PCB, 1-Digit DI (Up / Down) + 2-Digit PI, Horizontal, Blue Illuminated
	AAA26800BCV4*	PCB, 1-Digit DI (Up / Down) + 2-Digit PI, Horizontal, White Illuminated
5	AAA26800BDC1**	PCB, 1-Digit DI (Up / Down) + 3-Digit PI, Horizontal, Red Illuminated
	AAA26800BDC2**	PCB, 1-Digit DI (Up / Down) + 3-Digit PI, Horizontal, Green Illuminated
	AAA26800BDC3**	PCB, 1-Digit DI (Up / Down) + 3-Digit PI, Horizontal, Blue Illuminated
	AAA26800BDC4**	PCB, 1-Digit DI (Up / Down) + 3-Digit PI, Horizontal, White Illuminated
	AAA26800BDC5***	PCB, 1-Digit DI (Up) + 2-Digit PI + 1-Digit DI (Down), Horizontal, Red Illuminated
	AAA26800BDC6***	PCB, 1-Digit DI (Up) + 2-Digit PI + 1-Digit DI (Down), Horizontal, Green Illuminated
	AAA26800BDC7***	PCB, 1-Digit DI (Up) + 2-Digit PI + 1-Digit DI (Down), Horizontal, Blue Illuminated
	AAA26800BDC8***	PCB, 1-Digit DI (Up) + 2-Digit PI + 1-Digit DI (Down), Horizontal, White Illuminated
	AAA26800BDC9****	PCB, 3-Digit PI + 1-Digit DI (Up / Down), Horizontal, Red Illuminated
	AAA26800BDC10****	PCB, 3-Digit PI + 1-Digit DI (Up / Down), Horizontal, Green Illuminated
	AAA26800BDC11****	PCB, 3-Digit PI + 1-Digit DI (Up / Down), Horizontal, Blue Illuminated
	AAA26800BDC12****	PCB, 3-Digit PI + 1-Digit DI (Up / Down), Horizontal, White Illuminated
6	AAA386MCF2	Plate, Backing, Horizontal, 481 x 174.5
7	AAA655B13	Speaker
8	ISO4026M4X12-45H-B	Screw, Socket Set, M4x12
9	AAA354DT5	Standoff

* for AAA23550AK15

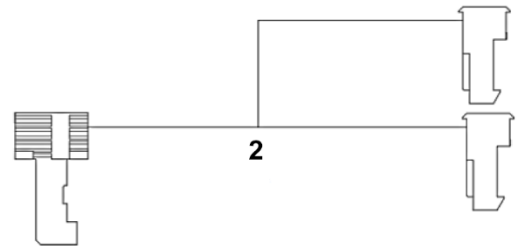
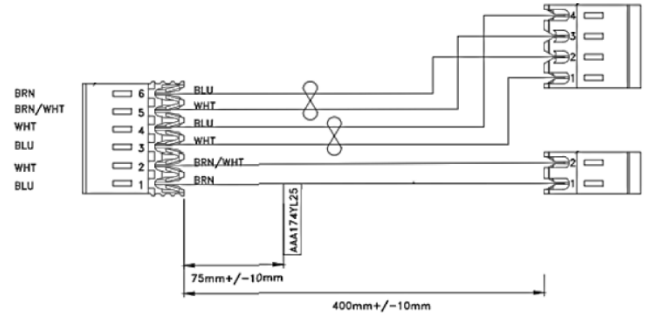
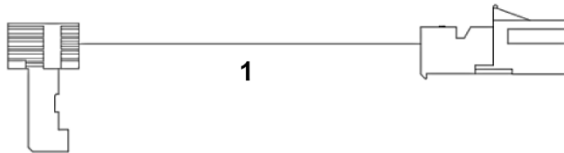
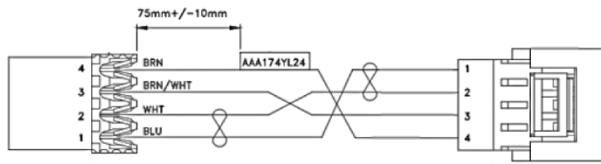
** for AAA23550AK16

*** for AAA23550AK17

**** for AAA23550AK18

Wiring

32-AAA23550AK



REF. No.	PART No.	DESCRIPTION
1	AAA174YL24	Cable, RSL/CAN
2	AAA174YL25	Cable, Remote PI (for AAA23550AK1 and 2 only)
3	AAA175ABY8	Cable, Faceplate Grounding (L = 610 mm)
*	AAA174AHY7	Cable, Backing Plate Grounding (L = 1830 mm)

* part not shown