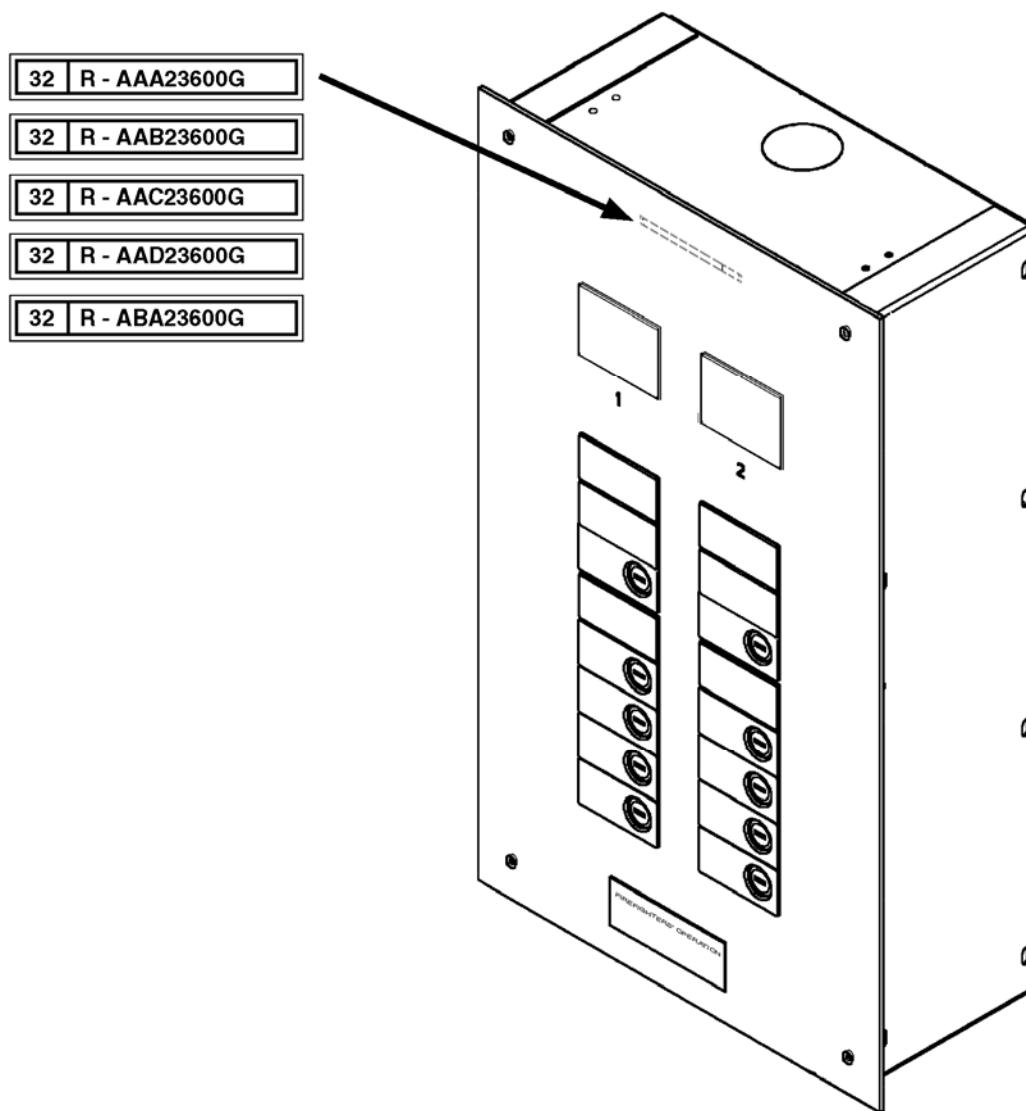


Hall Panel  
Lobby Panel Assembly  
(Series 1 Fixture)

Spare Parts Leaflet

32-AAA23600G

March 6, 2019 / Page 1 of 4



**OTIS**

This document does not contain any technical  
data subject to EAR or ITAR

SERVICE ENGINEERING  
Otis Elevator Company  
Bloomfield, Connecticut USA

Unpublished Work—© Otis Elevator Co.; 2019

## Leaflet Description

This SPL describes the lowest replaceable units (LRUs) for a Series 1 (Advanced Fixtures) lobby panel assembly.

### Leaflet Revisions

Date Revised	Subject Matter Expert	Reason for Revision
September 17, 2003	Lisa K. Mitchell	New SPL
July 25, 2012	Joseph D. Zych	Updated pp. 3 and 4
March 5, 2014	Joseph Zych	Updated Vintage information on p. 4
March 6, 2019	Solomon Wanyonyi	Added new p/ns AAA315ALA1 and AAA315ALA2 on p. 3

### Related Drawings

Drawing No.	Title	Drawing No.	Title
AAA23600G	Lobby Panel Assembly		

### Related Documents

Document ID	Title
Order Form SU12-109	Shipping Unit 12, AAD23600G Type Lobby Panel
SPL 31-7069AH	Advanced Fixture-Part, 7069AH Keyswitch Module (product application: 1981-1990)
SPL 31-AAA7069BH	Keyswitch Module
SPL 31-AAA7069AAK	Keyswitch Module
SPL 31-7069AG	Advanced Fixtures, Jewel Modules for Hall & Car Panels, 3-Wire Configuration with Incandescent Lamps

### Subject Matter Expert

Name	Department
Joseph D. Zych	OSC Service Engineering

### About Spare Parts Leaflets...

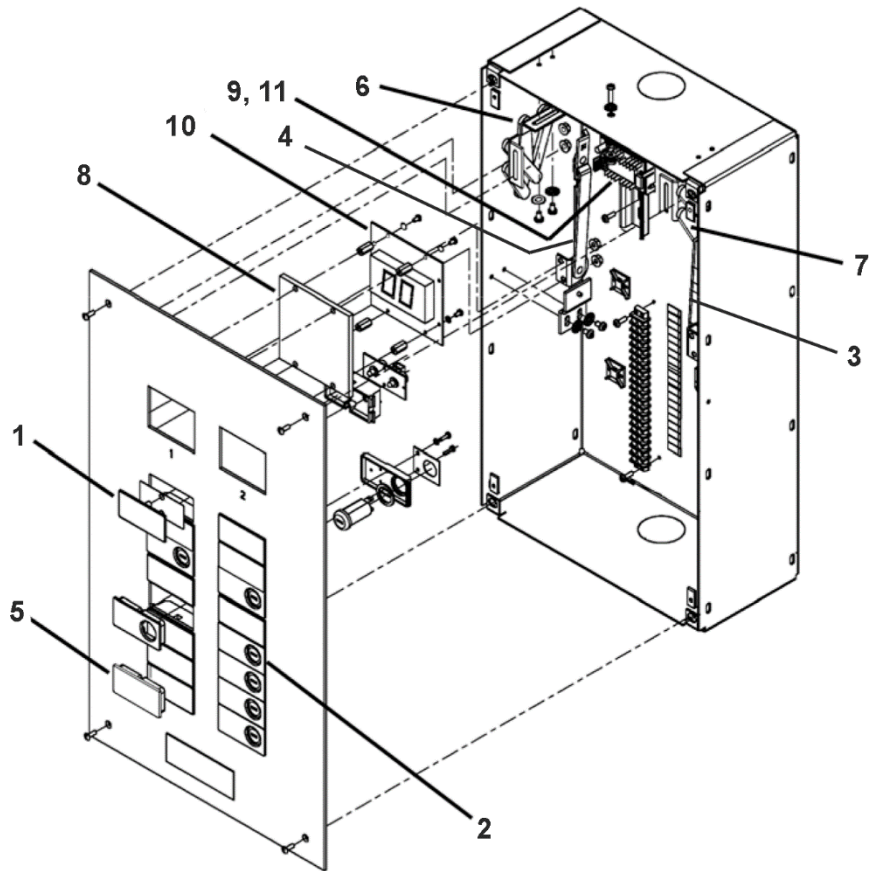
This document lists the lowest replaceable units (LRUs) for the standard version of the product. The LRUs are chosen by a team of Otis associates representing engineering and manufacturing.

While goal of this document is to make parts identification as easy as possible, the document cannot be all-inclusive. Elevator and escalator contracts classified as "special" or "custom" are not addressed here. For such contracts, please refer to specified information, the contract folder, TIPS, Field Education Articles, Construction Letters, etc. for further information.

If you have any suggestions about this document, please contact the subject matter expert listed on this page.

# Lobby Panel Components

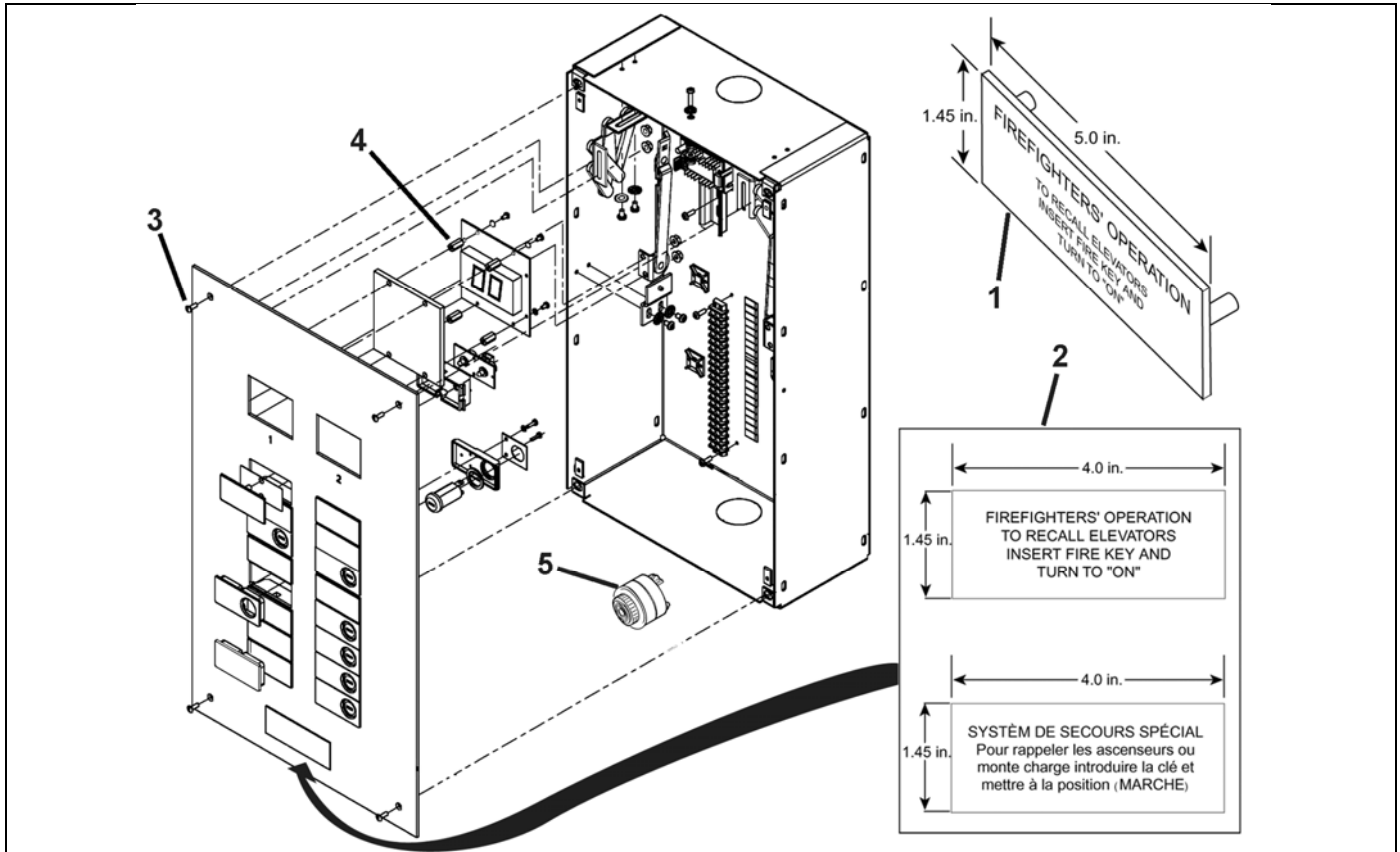
32-AAA23600G

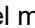


AAA23600G	AAB23600G	AAC23600G AAD23600G ABA23600G
-----------	-----------	-------------------------------------

REF. No.	PART No.		DESCRIPTION
1	Yes		Assembly, Jewel,  SPL 31-7069AG
2	Yes	No	Assembly, Keyswitch,  SPL 31-7069AH
	Yes	No	Assembly, Keyswitch,  SPL 31-AAA7069BH
	No	Yes	Assembly, Keyswitch, Type AAA7069AAK,  SPL 31-AAA7069AAK
3	AAA315ALA1		Brace, Leg Hinge, RH
4	AAA315ALA2		Brace, Leg Hinge, LH
5	396LB1		Chicklet, Blank
6	391BD1		Hinge, RH
7	391BD2		Hinge, LH
8	AAA443DJ3 AAA449BT10	AAA449BT10	Lens
9	AAB26810A2		PC Board, Line Terminator and Holder
	AAB26810A5		PC Board, Line Terminator and Holder, CAN Fixture
10	ACA26800HJI		PC Board, Position Indicator
11	AAB26810A1		PC Board, Remote Station 5 (RS-5)
	AAB26810A4		PC Board, CAN Fixture (CF5)

# Lobby Panel Components



AAA23600G	AAB23600G	AAC23600G AAD23600G ABA23600G
PART No.		DESCRIPTION
REF. No.		
1	2	
AAA102XZ1-SS4	AAA102VB2	Plate, Firemen's Instruction, English
AAA102XZ1-SS8	AAA102VB3	
AAA102XZ1-BR7	AAA102VB4	
AAA102XZ1-BR8	AAA102VB5	
---	AAA102VB88	Plate, Firemen's Instruction, French
---	AAA102VB89	
---	AAA102VB90	
---	AAA102VB91	
3	124DK5 124DK17 124DK6	Screw, Tamper Resistant,
4	342BE1 354BE1	Spacer
5	6219F5	Buzzer (  alarm jewel mounted in car)