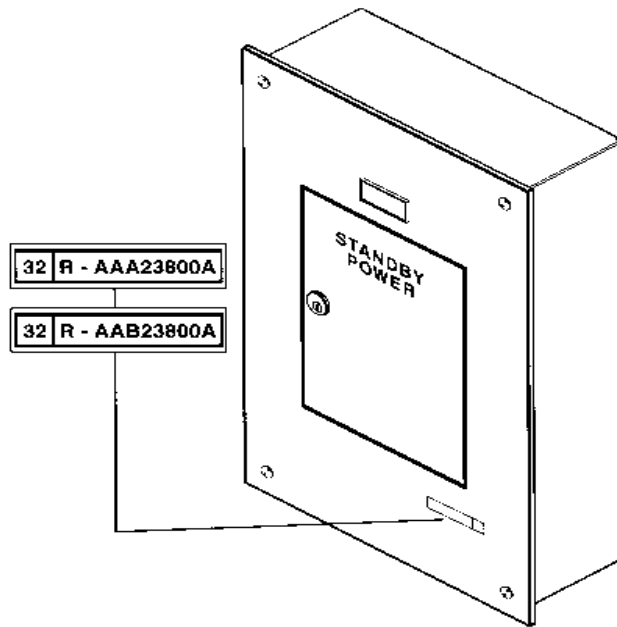


SPL 32-AAA23800A - Emergency Power Panel

Unpublished Work - © Otis Elevator Company. Any unauthorized reproduction, disclosure, or distribution of copies or content by any person of any portion of this work may be a violation of Copyright Law of the United States of America. All rights reserved.

August 1998

Page 1



SPL 32-AAA23800A - Emergency Power Panel

Page 2_History

History
32-AAA23800A
First Published: August 1998

Emergency Power Panel

REVISED DATE	RESPONSIBLE ENGINEER	PRIMARY REASON FOR REVISION
August 1998	Katherine Smith	New Leaflet

Leaflet Description

Emergency power panel for three/four-car groups. Position 1 switch is marked: **RE** for reset. All other switch markings are contract-specified.

RELATED LEAFLETS

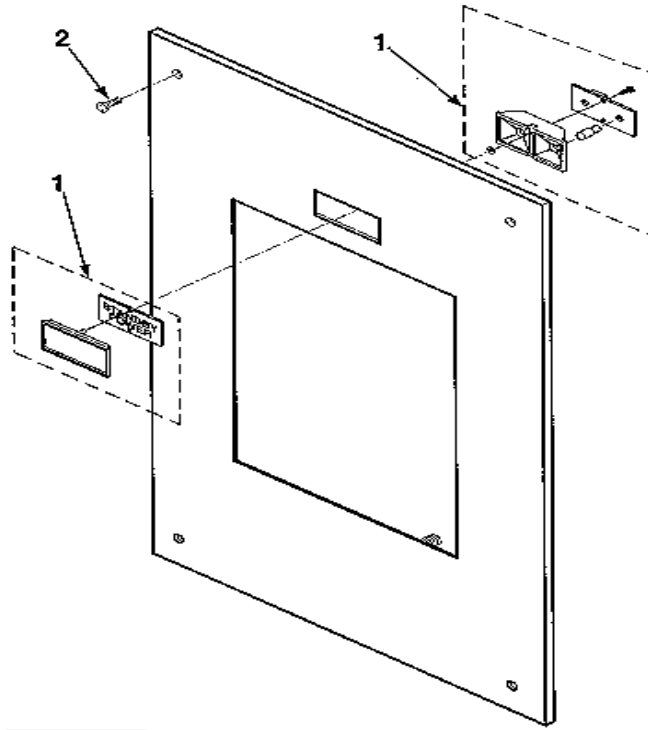
DRAWING REFERENCES
AAA23800A



RELATED DOCUMENTS
Order Form: SU12-110

This Spare Parts Leaflet (SPL) is prepared to assist you in determining the Lowest Replaceable Units (LRU) supported by the Otis Service Center for the standard version of the product titled on the preceding page. The parts are chosen by Otis associates from: Engineering, Field Engineering, Service Engineering, and Manufacturing. We attempt to make part identification as easy as possible. The SPL, however, cannot be all inclusive. Elevator and escalator contracts classified as either "special" or "custom" are not addressed. Alternative sources of information such as: the Contract Folder, Technical Information Publications, Field Education Articles, Construction Letters, etc. may give the information you are after. You live in the real world of maintaining your elevator and escalator contracts. On a daily basis, situations arise regarding parts identification and at times, for some reason, the part you need is not in the SPL. If you think a standard part not listed should be let us know. We will respond.

SPL 32-AAA23800A - Emergency Power Panel

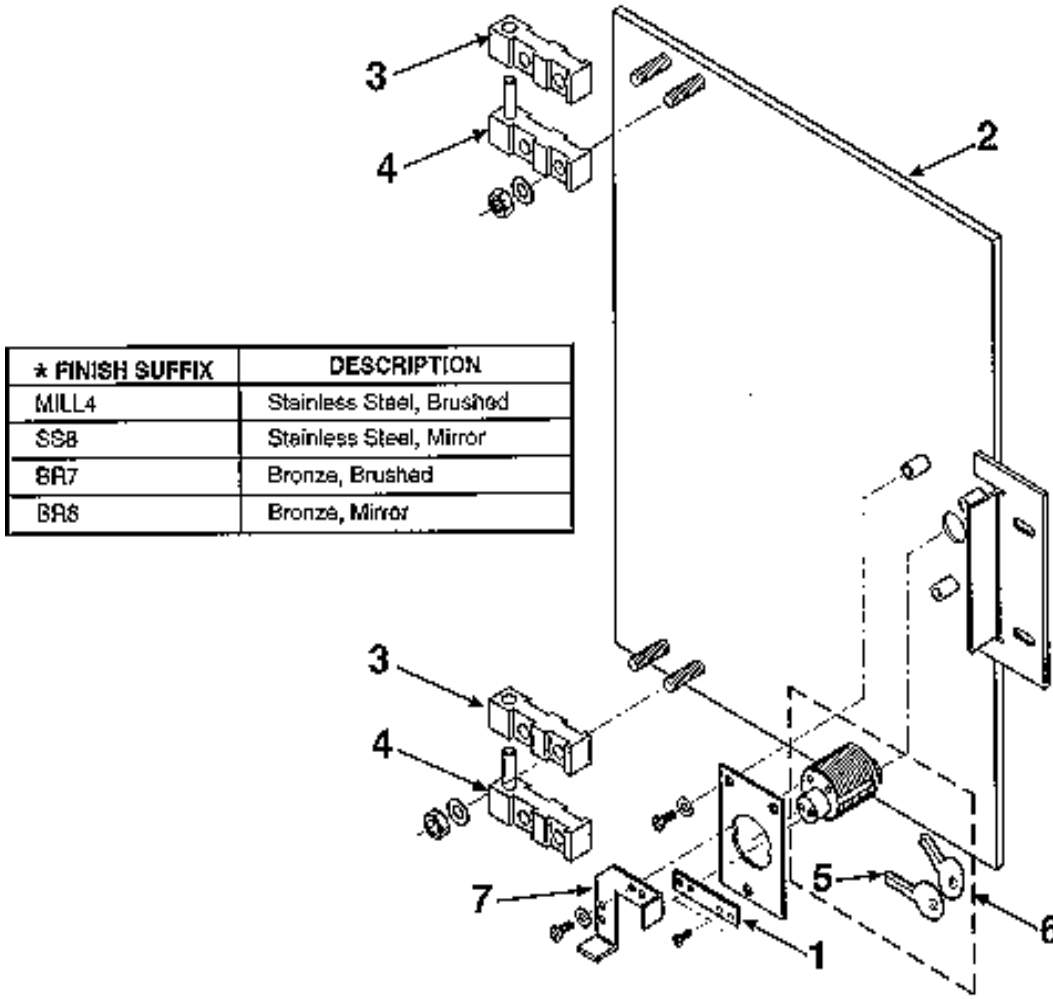
Page 3_Emergency Power Panel



REF. NO.	PART or ML	DESCRIPTION	
1	AAA23800A AAB23800A 7069AG96	Jewel Module, Elevator Emergency Power	 Detail
	7069AG121	Jewel Module, Standby Power	 SPL 31-7069AG 31_7069AG
2	124DK6	Screw, Tamper-Resistant, Bronze, Brushed Finish	
	124DK18	Screw, Tamper-Resistant, Bronze, Mirror Finish	
	124DK5	Screw, Tamper-Resistant, Stainless Steel, Brushed Finish	
	124DK17	Screw, Tamper-Resistant, Stainless Steel, Mirror Finish	

SPL 32-AAA23800A - Emergency Power Panel

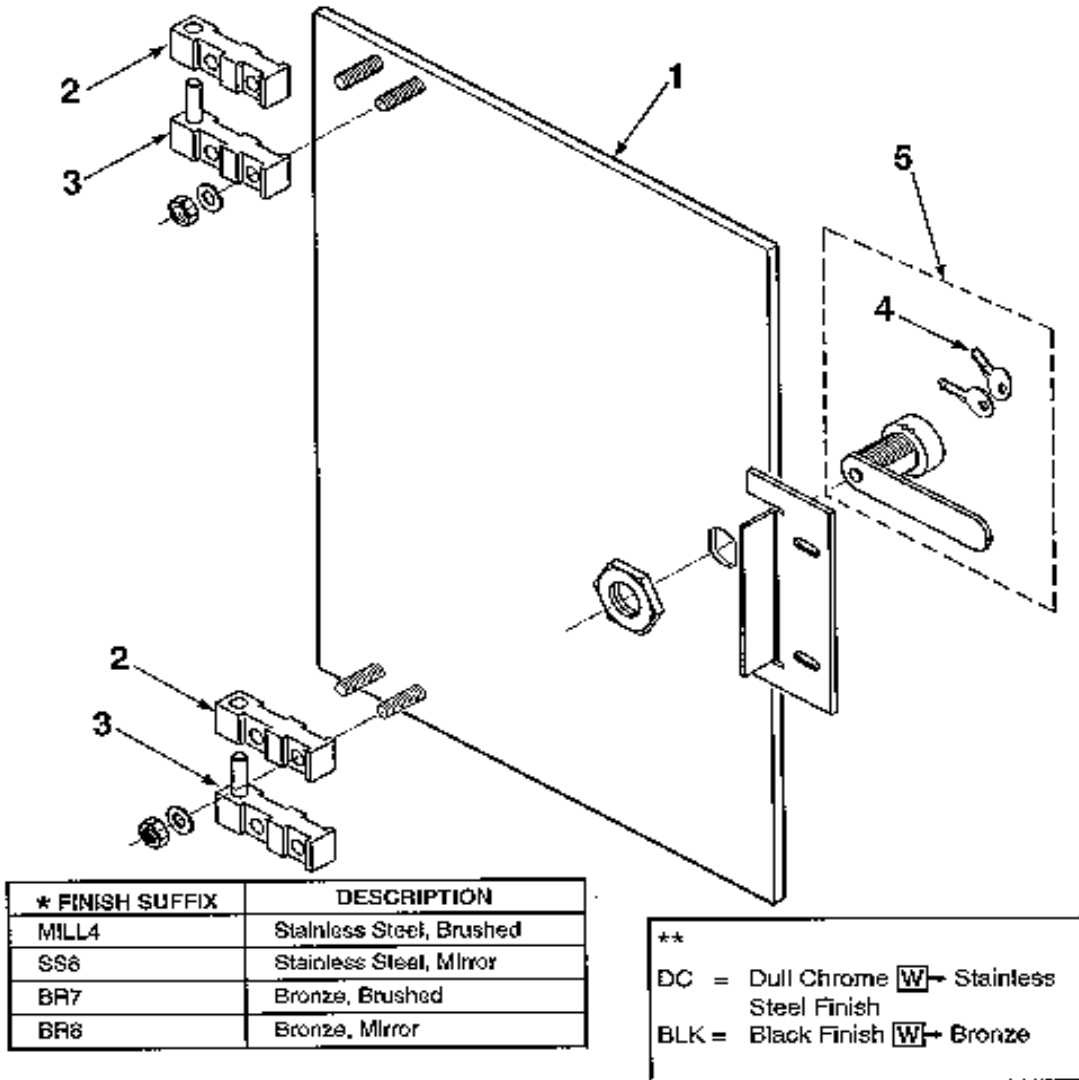
Page 4_Door Assembly with A431C Lock



REF. NO.	PART or ML	DESCRIPTION
	AAA23800A AAB23800A	
1	A299G64	Bar
2	AAA406BM1_*	Door, Engraved: Standby Power , /A431C Lock
3	310LW1	Hinge, Block, w/o Pin
4	310LW2	Hinge, Block, w/Pin
5	VP-797120	Key, Yale #2642, A431C34 Lock
	VP-797130	Key, Yale #3502, A431C35 Lock
	VP-797110	Key, Yale #5957, A431C23 Lock
6	A431C34	Lock Assy. w/2 Keys, #2642, NYC Code, Dull Chrome Finish
	A431C35	Lock Assy. w/2 Keys, #3502, MA Code, Dull Chrome Finish
	A431C23	Lock Assy. w/2 Keys, #5957, Chicago Code, Dull Chrome Finish
7	477DD1	Stop, Lock

SPL 32-AAA23800A - Emergency Power Panel

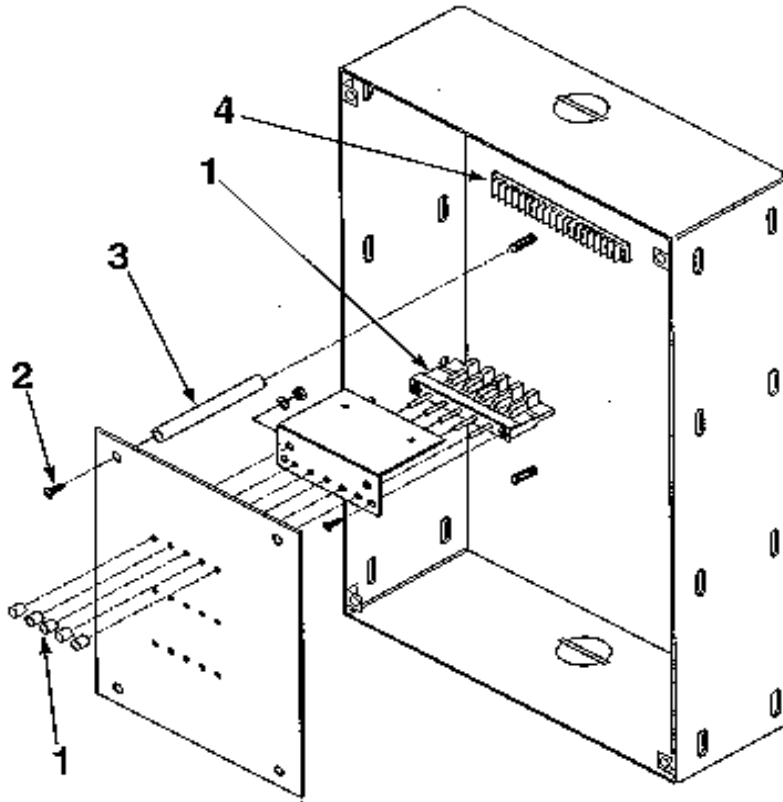
Page 5_Door Assembly with AAA00431AAC Lock



REF. NO.	PART or ML	DESCRIPTION
1	AAA406BM2_*	Door, Engraved: Elevator Emergency Power , <input type="checkbox"/> AAA00431AAC Lock
	AAA406BM3_*	Door, Engraved: Standby Power , <input type="checkbox"/> AAA00431AAC Lock
2	310LW1	Hinge, Block, w/o Pin
3	310LW2	Hinge, Block, w/Pin
4	6410W_UTF	Key, <input type="checkbox"/> AAA00431AAC Lock
5	AAA00431AAC001_**	Lock Assembly (Illinois) w/2 Keys, ANSI Code

SPL 32-AAA23800A - Emergency Power Panel

Page 6_AAA7003AP Emergency Power Selection Switches



	AAA23800A	AAB23800A	
REF. NO.	PART or ML		DESCRIPTION
1	7035C13		Push Button Unit, 4 Buttons, 1 st Button Marked: RE others per contract
	7035C1		Push Button Unit, 5 Buttons, 1 st Button Marked: RE others per contract
2	124DK6		Screw, Tamper Resistant, Bronze, Brushed Finish
	124DK18		Screw, Tamper Resistant, Bronze, Mirror Finish
	124DK5		Screw, Tamper Resistant, Stainless Steel, Brushed Finish
	124DK17		Screw, Tamper Resistant, Stainless Steel, Mirror Finish
3	354AD22		Standoff
4	---	P303BC5	Terminal, 20 Connections