

Standby Power Cabinet

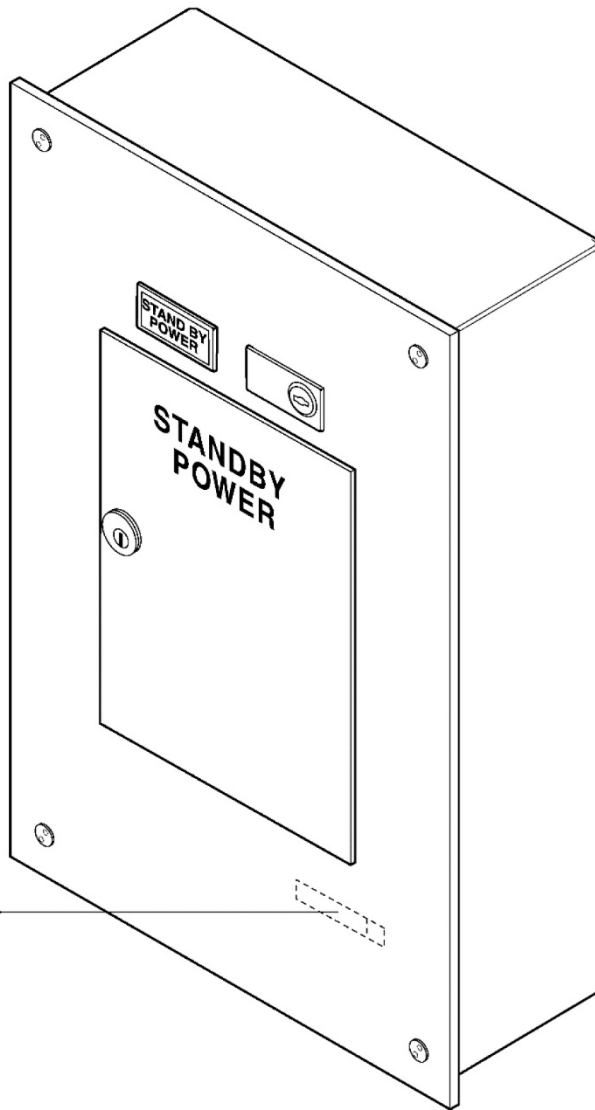
Series 1 and 5 Fixtures

Spare Parts Leaflet

32-AAA23800E

April 3, 2024 / Page 1 of 17

32	R-AAA23800E
32	R-ABA23800E
32	R-ACA23800E
32	R-ACB23800E



OTIS

This document contains technical data
subject to EAR. ECCN=EAR99

SERVICE ENGINEERING
Otis Elevator Company
Bloomfield, Connecticut USA

Unpublished Work—© Otis Elevator Co.; 2024

History

32-AAA23800E

Leaflet Description

This leaflet provides spare parts information for type AAA23800E standby power cabinet. The updated revision captures the keyswitch option used in New York City area.

Leaflet Revisions

Date Revised	Subject Matter Expert	Reason for Revision
December 1, 1999	Duane Stupienski	New leaflet, initial release
August 1, 2000	Steven Karvazy	Add NYC code key switch option.
December 13, 2004	Lisa K. Mitchell	Recognize vintages ABA and ACA23800E and update parts leaflet according to latest drawing changes.
October 2, 2013	Joseph D. Zych	Added faceplates AAA147RK40, 42, 44, 46 & 48.
October 19, 2016	Joseph D. Zych	Corrected page number reference in ref 1., on p. 9
April 3, 2024	Vadzim, Fedarenka	Added 32-R-ACB23800E vintage tag (p. 1); updated material, finish, & comments (p. 3–4); added ref. no 3 (faceplates) on p. 5; added ref. no. 3–5 (doors) on p. 7; added ACB23800E emergency power switches on p. 13–16; added label ordering process on p. 17.

Related Drawings

Drawing No.	Title	Drawing No.	Title
AAA23800E	Standby Power Cabinet	ACA23800E	Standby Power Cabinet
ABA23800E	Standby Power Cabinet	ACB23800E	Standby Power Cabinet

Related Documents

Document ID	Title
SPL 32-AAA23800A	Emergency Power Panel
SU12-119	Order Form, Power Panel, AAA23800E

Subject Matter Expert

Name	Department
Vadzim Fedarenka	OSC, Service Engineering

About Spare Parts Leaflets...

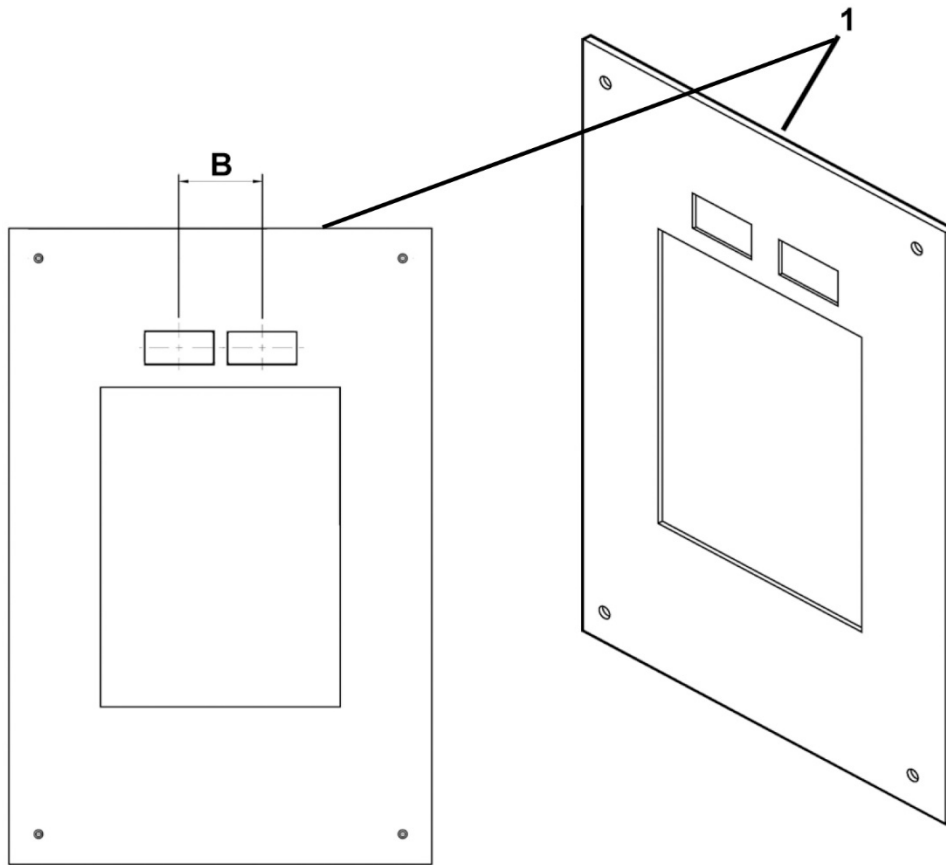
This document lists the lowest replaceable units (LRUs) for the standard version of the product. The LRUs are chosen by a team of Otis associates representing engineering and manufacturing.

While goal of this document is to make parts identification as easy as possible, the document cannot be all-inclusive. Elevator and escalator contracts classified as “special” or “custom” are not addressed here. For such contracts, please refer to specified information, the contract folder, TIPs, Field Education Articles, Construction Letters, etc. for further information.

If you have any suggestions about this document, please contact the subject matter expert listed on this page.

Faceplates, Standby Power Cabinet

32-AAA23800E

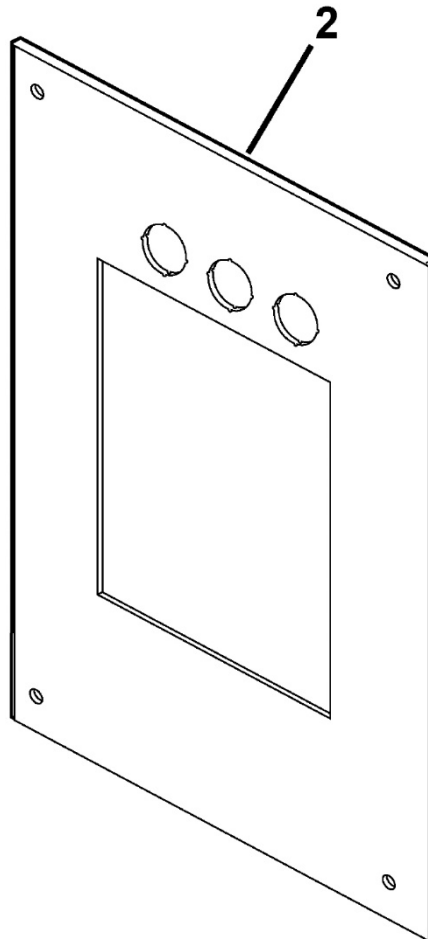


VINTAGE: A _ _ 23800E
Series 1

REF. No.	AAA	ABA	MATERIAL	FINISH	No. of Cutouts	Dim. "B"	COMMENTS
1	AAA147RK5		Stainless Steel	MF4, Brushed	1	---	---
	AAA147RK6		Stainless Steel	SS8, Mirror			
	AAA147RK7		Brass	BR7, Brushed			
	AAA147RK8		Brass	BR8, Mirror			
	AAA147RK13		Stainless Steel	MF4, Brushed	2	80 mm	NYC only
	AAA147RK14		Stainless Steel	SS8, Mirror			
	AAA147RK15		Brass	BR7, Brushed			
	AAA147RK16		Brass	BR8, Mirror			
	AAA147RK42		Bronze	BT / Brushed	1	---	---
	AAA147RK44		Bronze	BT / Brushed	2	80 mm	NYC only
	AAA147RK46		Stainless Steel	FS4, Brushed	1	---	---
	AAA147RK40		Stainless Steel	FS4, Brushed	2	50 mm	---
	AAA147RK48		Stainless Steel	FS4, Brushed	2	80 mm	NYC only

(Continued on Next Page)

Faceplates, Standby Power Cabinet 32-AAA23800E



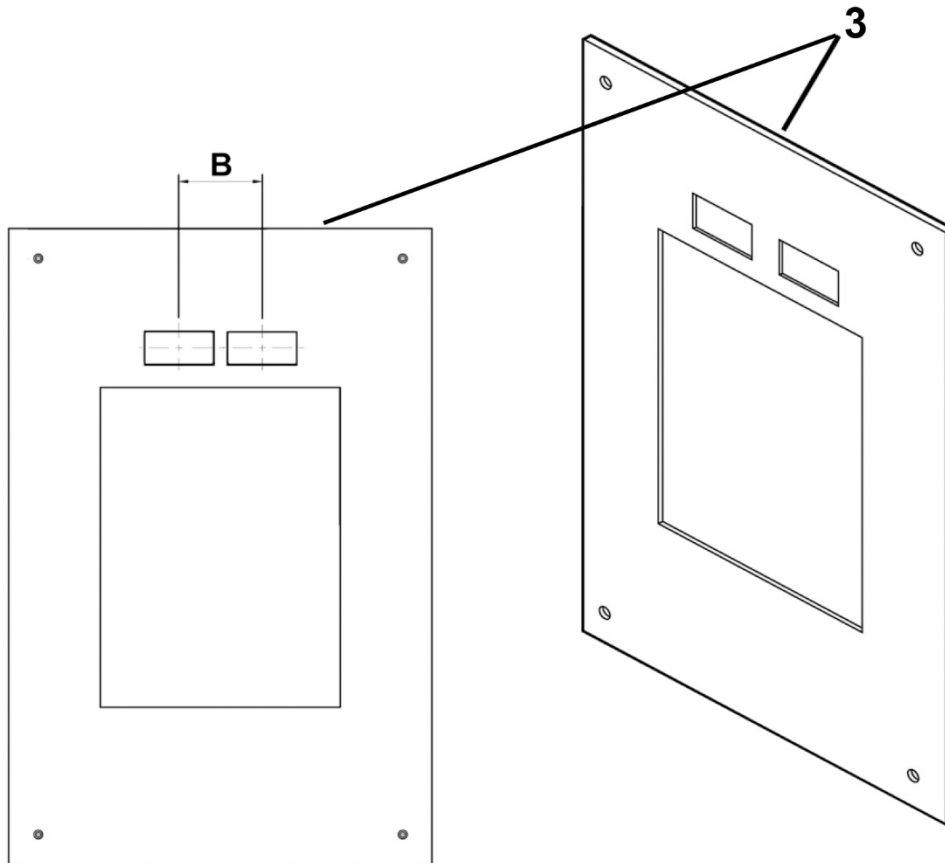
VINTAGE: A _ _ 23800E

Series 5

REF. No.	ACA	MATERIAL	FINISH	COMMENTS
2	AAA147RK21	Stainless Steel	MF4, Brushed	---
	AAA147RK22	Stainless Steel	SS8, Mirror	
	AAA147RK23	Brass	BR7, Brushed	
	AAA147RK24	Brass	BR8, Mirror	
	AAA147RK29	Stainless Steel	MF4, Brushed	NYC only
	AAA147RK30	Stainless Steel	SS8, Mirror	
	AAA147RK31	Brass	BR7, Brushed	
	AAA147RK32	Brass	BR8, Mirror	

(Continued on Next Page)

Faceplates, Standby Power Cabinet 32-AAA23800E

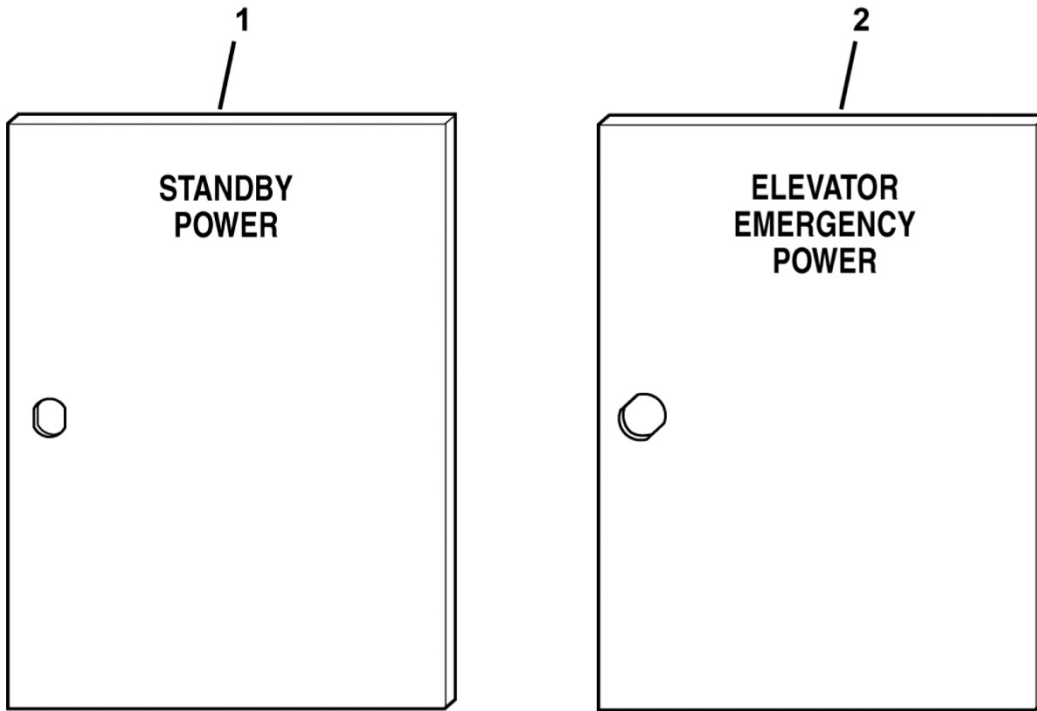


ACB23800E
Series 1

REF. No.	ACB	MATERIAL	FINISH	No. of Cutouts	Dim. "B"	COMMENTS
3	AAA147ABQ42	Bronze	BT / Brushed	1	---	
	AAA147ABQ44	Bronze	BT / Brushed	2	80 mm	NYC
	AAA147ABQ46	Stainless Steel	FS4 / Mill 4	1	---	
	AAA147ABQ48	Stainless Steel	FS4 / Mill 4	2	80 mm	NYC

Doors (with Engraving & Cutout)

32-AAA23800E

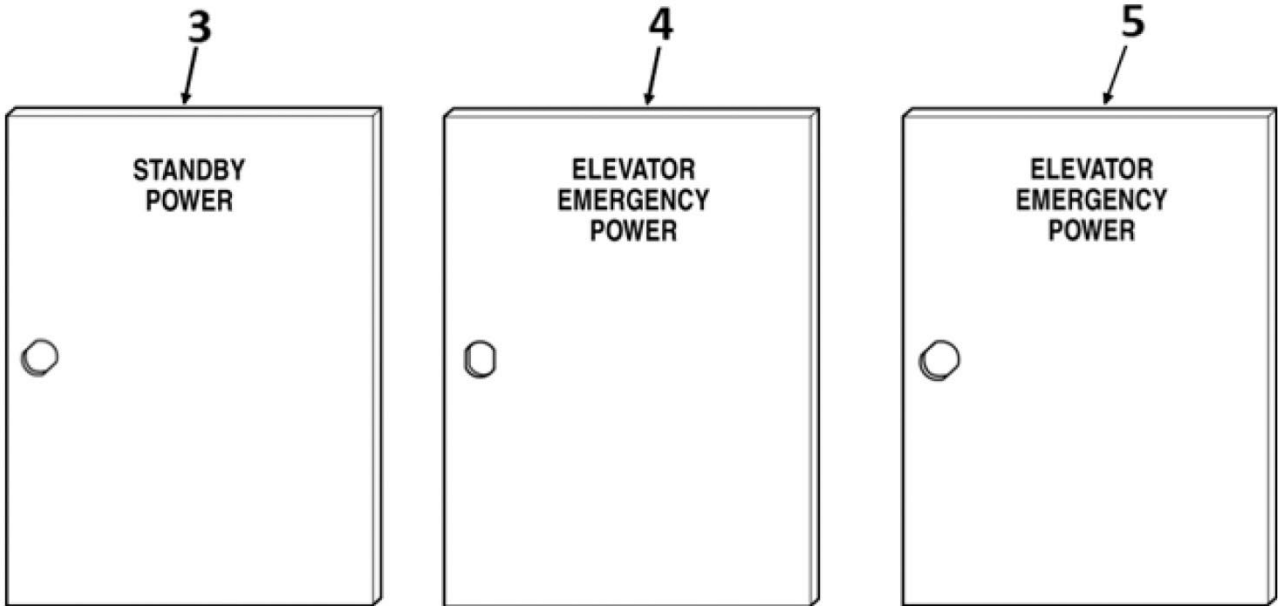


	AAA23800E	ABA23800E	ACA23800E			
	ENGRAVING COLOR					
REF. No.	BLACK	RED	PART No.	CODE	MATERIAL	FINISH
1	AAA406BW5	ABA406BW5	ABA406BW5	ASME A17.1/CAN B44 2000 and Later Code, except NYC, CHI, MA, ME & NH	Stainless Steel	Brushed
	AAA406BW6	ABA406BW6	ABA406BW6		Stainless Steel	Mirror
	AAA406BW7	ABA406BW7	ABA406BW7		Brass	Brushed
	AAA406BW8	ABA406BW8	ABA406BW8		Brass	Mirror
	AAA406BW21	ABA406BW21	ABA406BW21		Stainless Steel	Brushed
	AAA406BW22	ABA406BW22	ABA406BW22		Stainless Steel	Mirror
	AAA406BW23	ABA406BW23	ABA406BW23		Brass	Brushed
	AAA406BW24	ABA406BW24	ABA406BW24		Brass	Mirror
2	AAA406BW13	ABA406BW13	ABA406BW13	MA, ME, NH ASME A17.1/CAN B44 2000 and Later Code	Stainless Steel	Brushed
	AAA406BW14	ABA406BW14	ABA406BW14		Stainless Steel	Mirror
	AAA406BW15	ABA406BW15	ABA406BW15		Brass	Brushed
	AAA406BW16	ABA406BW16	ABA406BW16		Brass	Mirror
	---	ABA406BW29	ABA406BW29		Stainless Steel	Brushed
	---	ABA406BW30	ABA406BW30		Stainless Steel	Mirror
	---	ABA406BW31	ABA406BW31		Brass	Brushed
	---	ABA406BW32	ABA406BW32		Brass	Mirror

(Continue on Next Page)

Doors (with Engraving & Cutout)

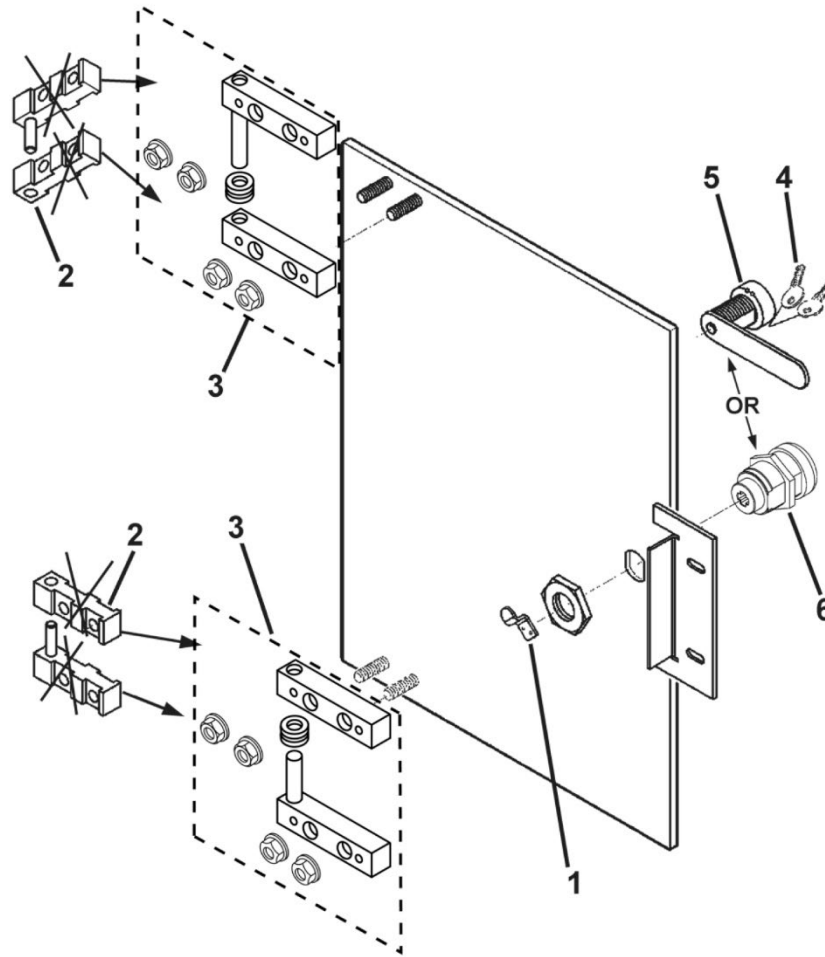
32-AAA23800E



		ACB23800E			
		ENGRAVING COLOR			
REF. No.	BLACK	RED	CODE	MATERIAL	FINISH
	PART No.				
3	AAA406DE44		MA or ME or CHI ASME A17.1/CAN B44	Bronze	BT, Brushed
	AAA406DE50			Stainless Steel	FS4, Brushed
4	AAA406DE45		ASME A17.1/CAN B44 2000 and later except NYC, CHI, MA, ME, & NH	Bronze	BT, Brushed
	AAA406DE51			Stainless Steel	FS4, Brushed
5	AAA406DE46		NYC or NJ or NH ASME A17.1/CAN B44	Bronze	BT, Brushed
	AAA406DE52			Stainless Steel	FS4, Brushed

Door Locks

32-AAA23800E



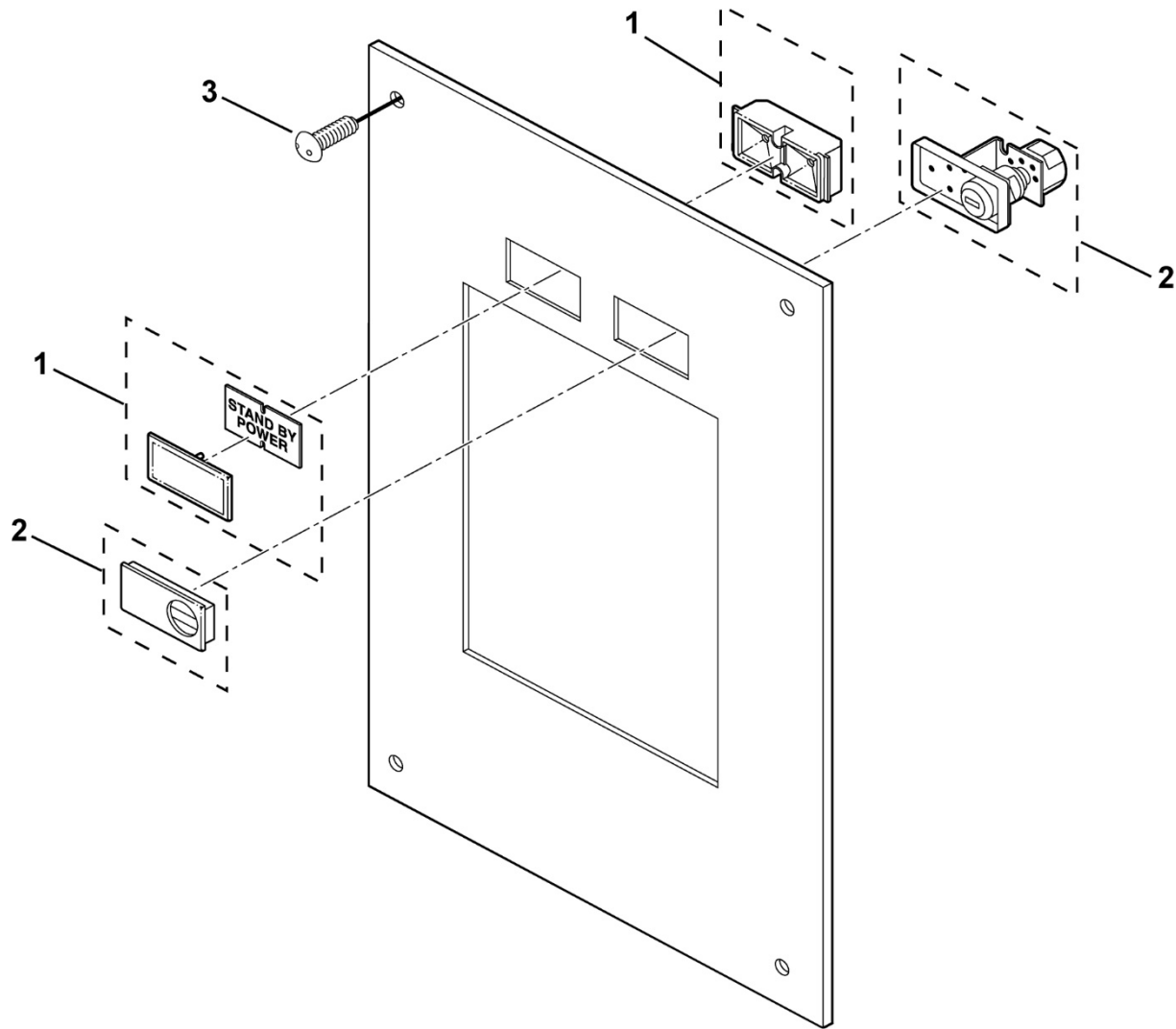
VINTAGE: 23800E

REF. No.	AAA	ABA	ACA	DESCRIPTION
	PART No.			
1	AAA316GCS1			Bracket, Lock, Type AAA413AK Lock
2	310LW1	---		Block, Hinge w/o Pin
	310LW2	---		Block, Hinge w/Pin
3	---	AAA310SX3		Assembly, Hinge with Nuts
4	6410W-UTF			Key, Type AAA00431AAC Lock
5	AAA00431AAC001-**			Lock, w/2 Keys, Not Codes: NYC, CHI, MA, ME & NH
6	AAA431AK27			Lock Assy. w/2 Keys, Chicago Code
	AAA431AK28			Lock Assy. w/2 Keys, NYC Code
	AAA431AK29			Lock Assy. w/2 Keys, MA, ME, NH Code
SPL 31-AAA431AK				

NOTE: ** Indicate finish suffix using code below:
 DC = Dull Chrome Stainless Steel Finish
 BLK = Black Finish Bronze

Series 1 Jewels and Keyswitches

32-AAA23800E

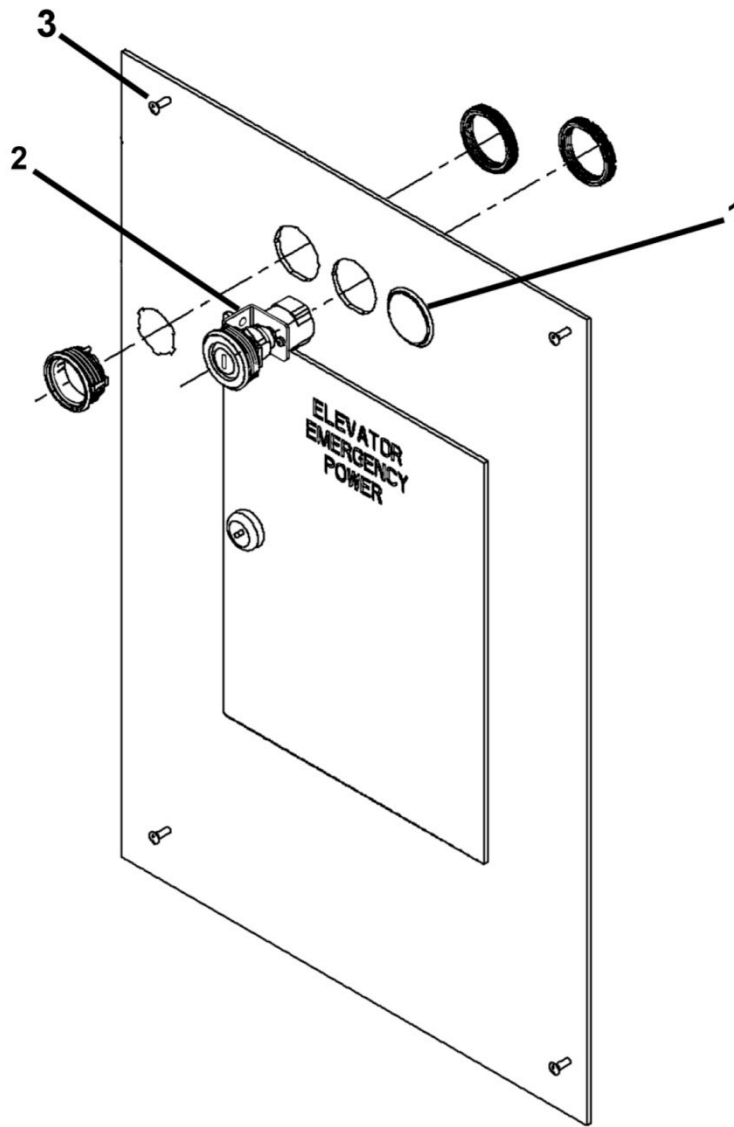


AAA23800E
ABA23800E

REF. No.	PART No.	DESCRIPTION	
1	---	Jewel Module, Type 7069AG	See SPL 31-7069AG
2	---	Keyswitch, Type AAA7069AAK	See SPL 31-AAA7069AAK
3	124DK3	Screw, Tamper Resistant, Bronze, Brushed Finish, 0.63 in. L	
	124DK4	Screw, Tamper Resistant, Bronze, Mirror Finish, 0.63 in. L	
	124DK1	Screw, Tamper Resistant, Stainless Steel, Brushed Finish, 0.50 in. L	
	124DK2	Screw, Tamper Resistant, Stainless Steel, Mirror Finish, 0.50 in. L	

Series 5 Jewels and Keyswitches

32-AAA23800E

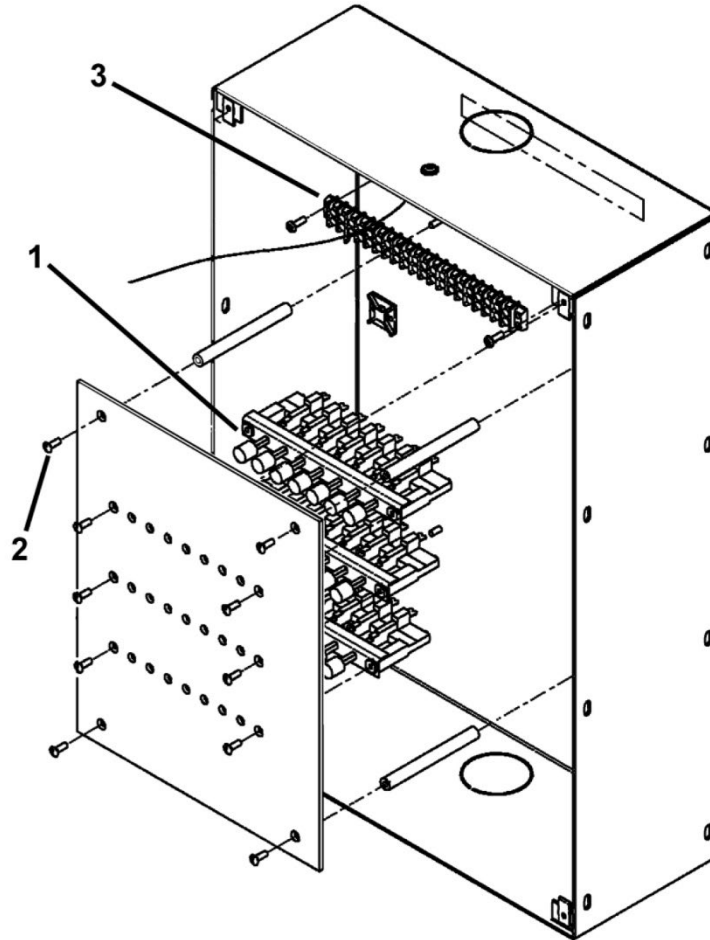


ACA23800E

REF. No.	PART No.	DESCRIPTION	
1	---	Jewel Module, Type AAA23851B	See SPL 31-AAA23851B
2	---	Keyswitch, Type AAA23851A	See SPL 31-AAA23851A
3	124DK3	Screw, Tamper Resistant, Bronze, Brushed Finish, 0.63 in. L	
	124DK4	Screw, Tamper Resistant, Bronze, Mirror Finish, 0.63 in. L	
	124DK1	Screw, Tamper Resistant, Stainless Steel, Brushed Finish, 0.50 in. L	
	124DK2	Screw, Tamper Resistant, Stainless Steel, Mirror Finish, 0.50 in. L	

Emergency Power Switches

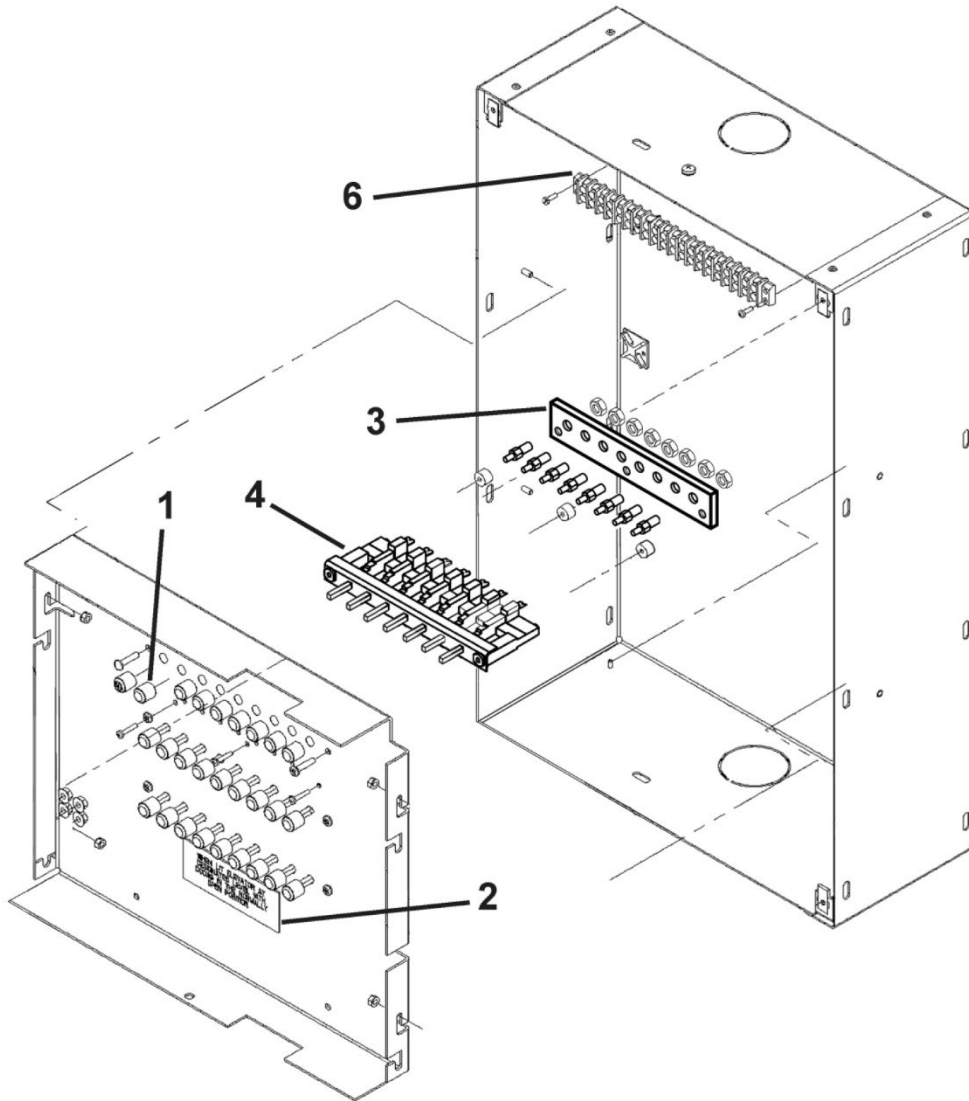
32-AAA23800E



AAA23800E ABA23800E						
REF. No.	PART No.	DESCRIPTION				
1	7035C13	Pushbutton Unit, 4 Buttons, w/o Button Caps	<table border="1" style="display: inline-table; vertical-align: middle;"> <tr><td>ORDER</td></tr> <tr><td> </td></tr> <tr><td> </td></tr> </table> Pushbutton units shown on page 12.	ORDER		
	ORDER					
7035C4	Pushbutton Unit, 5 Buttons, w/o Button Caps					
7035C3	Pushbutton Unit, 7 Buttons, w/o Button Caps					
7035C2	Pushbutton Unit, 9 Buttons, w/o Button Caps					
2	124DK3	Screw, Tamper Resistant, Bronze, Brushed Finish, 0.63 in. L				
	124DK4	Screw, Tamper Resistant, Bronze, Mirror Finish, 0.63 in. L				
	124DK1	Screw, Tamper Resistant, Stainless Steel, Brushed Finish, 0.50 in. L				
	124DK2	Screw, Tamper Resistant, Stainless Steel, Mirror Finish, 0.50 in. L				
3	P303BC5	Terminal, 20 Connectors (shown)				

Emergency Power Switches

32-AAA23800E



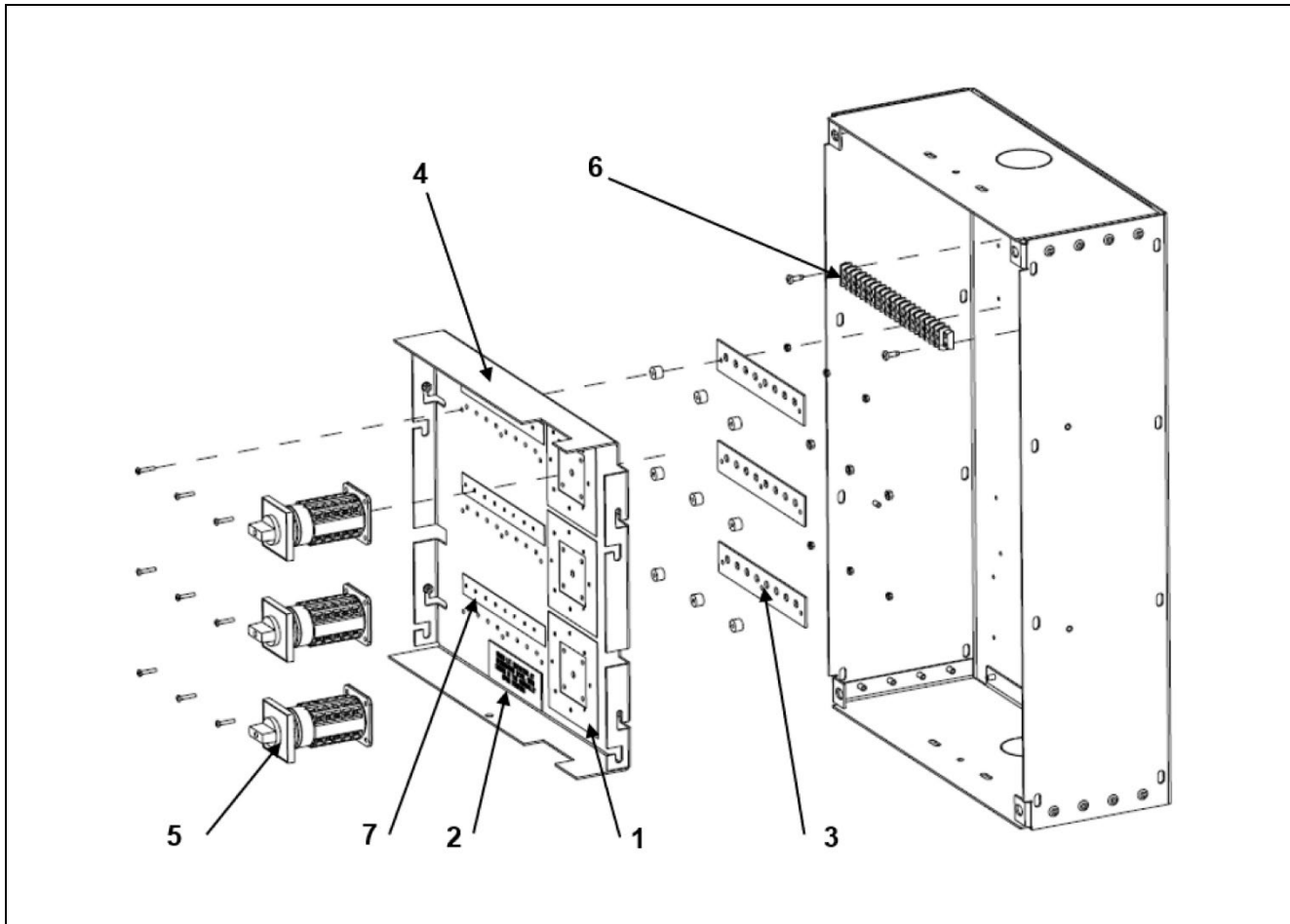
ACA23800E		
REF. No.	PART No.	DESCRIPTION
1	AAA323DT-*	Cap, Button Strip Switch
2	AAA102VB80	Label, Instruction
3	AAA386LQG1	Plate, LED Holder
4	7035C25	Pushbutton Unit, 4 Buttons, w/o Button Caps
	7035C22	Pushbutton Unit, 5 Buttons, w/o Button Caps
	7035C24	Pushbutton Unit, 7 Buttons, w/o Button Caps
	7035C23	Pushbutton Unit, 9 Buttons, w/o Button Caps
5	AAA21303CZ2	Terminal Block, with 22 Connectors
	AAA21303CZ3	Terminal Block, with 23 Connectors

* Specify the car numeral, 1 through 7

Emergency Power Switches

32-AAA23800E

ACB23800E2 & 6



ACB23800E		
REF. No.	PART No.	DESCRIPTION
1	AAA102BHV1	Rotary Switch Label: AUTO, CARNUM1, CARNUM2, CARNUM3
	AAA102BHV2	Rotary Switch Label: AUTO, CARNUM1, CARNUM2, CARNUM3, CARNUM4
	AAA102BHV3	Rotary Switch Label: AUTO, CARNUM1, CARNUM2, CARNUM3, CARNUM4, CARNUM5
	AAA102BHV4	Rotary Switch Label: AUTO, CARNUM1, CARNUM2, CARNUM3, CARNUM4, CARNUM5, CARNUM6
	AAA102BHV5	Rotary Switch Label: AUTO, CARNUM1, CARNUM2, CARNUM3, CARNUM4, CARNUM5, CARNUM6
	AAA102BHV6	Rotary Switch Label: AUTO, CARNUM1, CARNUM2, CARNUM3, CARNUM4, CARNUM5, CARNUM6, CARNUM7
	AAA102BHV7	Rotary Switch Label: AUTO, CARNUM1, CARNUM2, CARNUM3, CARNUM4, CARNUM5, CARNUM6, CARNUM7, CARNUM8
2	AAA102VB80	Label, Instruction
3	AAA386LQG1	Plate, LED Holder
4	AAA147ABP1	Switch Plate: One Switch and Row of LEDs

(Continued on Next Page)

Emergency Power Switches

32-AAA23800E

ACB23800E2 & 6

(See illustration on previous page)

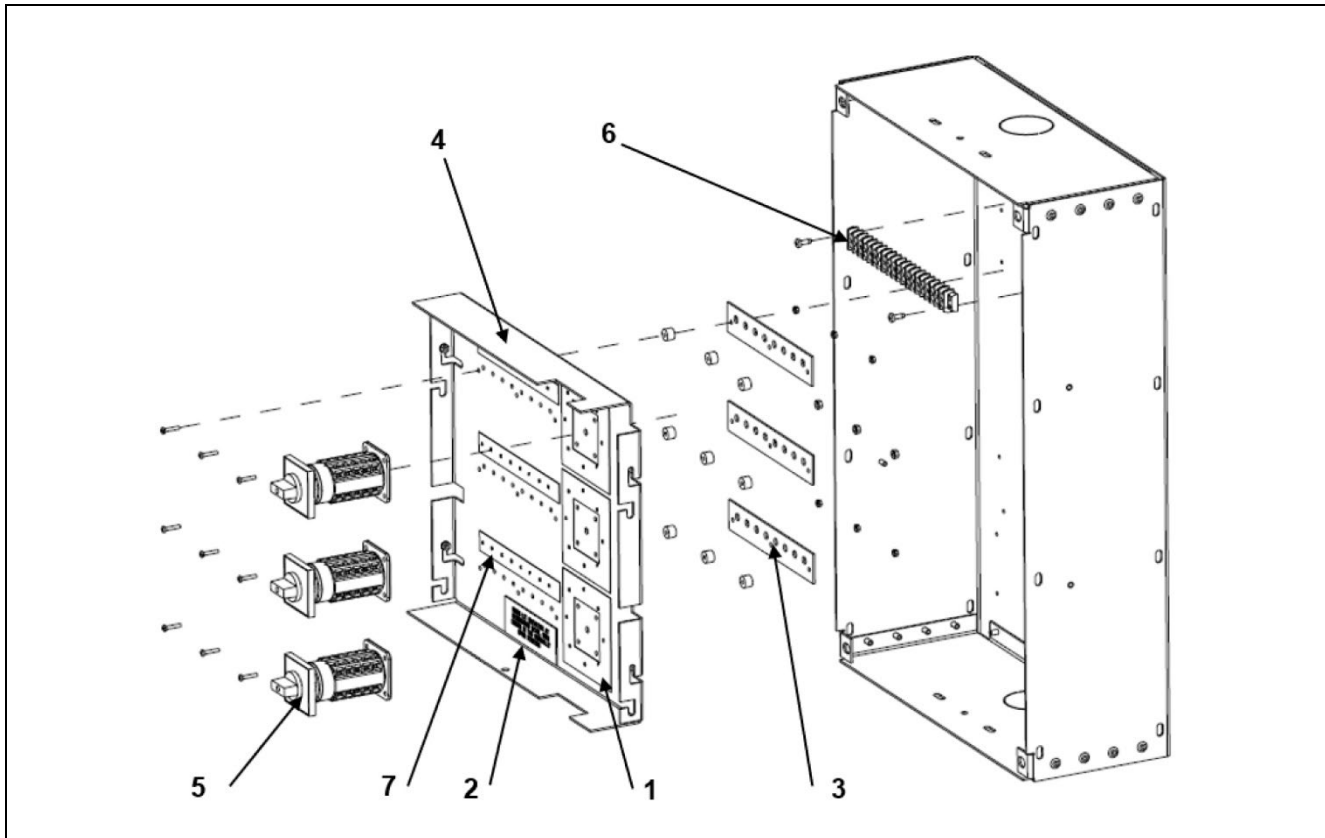
	ACB23800E	
REF. No.	PART No.	DESCRIPTION
5	ABA636A27	Switch, Rotary 3 Positions
	ABA636A28	Switch, Rotary 4 Positions
	ABA636A29	Switch, Rotary 5 Positions
	ABA636A30	Switch, Rotary 6 Positions
	ABA636A31	Switch, Rotary 7 Positions
	ABA636A32	Switch, Rotary 8 Positions
	ABA636A26	Switch, Rotary 9 Positions
6	AAA21303CZ2	Terminal Block, with 22 Connectors
	AAA21303CZ3	Terminal Block, with 23 Connectors
7	AAA102BHW1	LED Row Label: CARNUM1, CARNUM2
	AAA102BHW2	LED Row Label: CARNUM1, CARNUM2, CARNUM3
	AAA102BHW3	LED Row Label: CARNUM1, CARNUM2, CARNUM3, CARNUM4
	AAA102BHW4	LED Row Label: CARNUM1, CARNUM2, CARNUM3, CARNUM4, CARNUM5
	AAA102BHW5	LED Row Label: CARNUM1, CARNUM2, CARNUM3, CARNUM4, CARNUM5, CARNUM6
	AAA102BHW6	LED Row Label: CARNUM1, CARNUM2, CARNUM3, CARNUM4, CARNUM5, CARNUM6, CARNUM7
	AAA102BHW7	LED Row Label: CARNUM1, CARNUM2, CARNUM3, CARNUM4, CARNUM5, CARNUM6, CARNUM7, CARNUM8

NOTE: CARNUM is contract specific data. See label ordering process on p. 17.

Emergency Power Switches, NYC

32-AAA23800E

ACB23800E1 & 5



ACB23800E		
REF. No.	PART No.	DESCRIPTION
1	AAA102BHV8	Rotary Switch Label: AUTO, CARNUM1, CARNUM2, CARNUM3
	AAA102BHV9	Rotary Switch Label: AUTO, CARNUM1, CARNUM2, CARNUM3, CARNUM4
	AAA102BHV10	Rotary Switch Label: AUTO, CARNUM1, CARNUM2, CARNUM3, CARNUM4, CARNUM5
	AAA102BH11	Rotary Switch Label: AUTO, CARNUM1, CARNUM2, CARNUM3, CARNUM4, CARNUM5, CARNUM6
	AAA102BHV12	Rotary Switch Label: AUTO, CARNUM1, CARNUM2, CARNUM3, CARNUM4, CARNUM5, CARNUM6
	AAA102BHV13	Rotary Switch Label: AUTO, CARNUM1, CARNUM2, CARNUM3, CARNUM4, CARNUM5, CARNUM6, CARNUM7
	AAA102BHV14	Rotary Switch Label: AUTO, CARNUM1, CARNUM2, CARNUM3, CARNUM4, CARNUM5, CARNUM6, CARNUM7, CARNUM8
2	AAA102VB80	Label, Instruction
3	AAA386LQG1	Plate, LED Holder
4	AAA147ABP1	Switch Plate: One Switch and Row of LEDs
	AAA147ABP2	Switch Plate: Two Switches and Row of LEDs
	AAA147ABP3	Switch Plate: Three Switches and Row of LEDs

(Continued on Next Page)

Emergency Power Switches, NYC

32-AAA23800E

ACB23800E1 & 5

(See illustration on previous page)

	ACB23800E	
REF. No.	PART No.	DESCRIPTION
5	ABA636A33	Switch, Rotary 2 Positions
	ABA636A27	Switch, Rotary 3 Positions
	ABA636A28	Switch, Rotary 4 Positions
	ABA636A29	Switch, Rotary 5 Positions
	ABA636A30	Switch, Rotary 6 Positions
	ABA636A31	Switch, Rotary 7 Positions
	ABA636A32	Switch, Rotary 8 Positions
6	AAA21303CZ2	Terminal Block, with 22 Connectors
	AAA21303CZ3	Terminal Block, with 23 Connectors
7	AAA102BHW1	LED Row Label: CARNUM1, CARNUM2
	AAA102BHW2	LED Row Label: CARNUM1, CARNUM2, CARNUM3
	AAA102BHW3	LED Row Label: CARNUM1, CARNUM2, CARNUM3, CARNUM4
	AAA102BHW4	LED Row Label: CARNUM1, CARNUM2, CARNUM3, CARNUM4, CARNUM5
	AAA102BHW5	LED Row Label: CARNUM1, CARNUM2, CARNUM3, CARNUM4, CARNUM5, CARNUM6
	AAA102BHW6	LED Row Label: CARNUM1, CARNUM2, CARNUM3, CARNUM4, CARNUM5, CARNUM6, CARNUM7
	AAA102BHW7	LED Row Label: CARNUM1, CARNUM2, CARNUM3, CARNUM4, CARNUM5, CARNUM6, CARNUM7, CARNUM8

NOTE: CARNUM is contract specific data. See label ordering process on p. 17.

AAA102BHV & BHW

Label Ordering Process

32-AAA23800E

To order **AAA102BHV** rotary switch label or **AAA102BHW** LED data plate, specify car numbers/letters in label part number as shown.

Examples:

