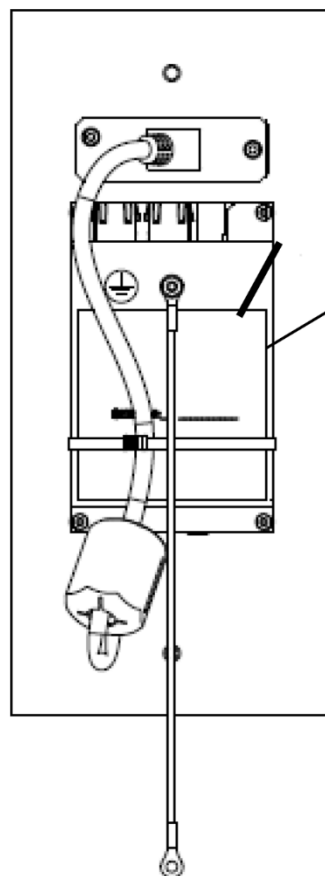
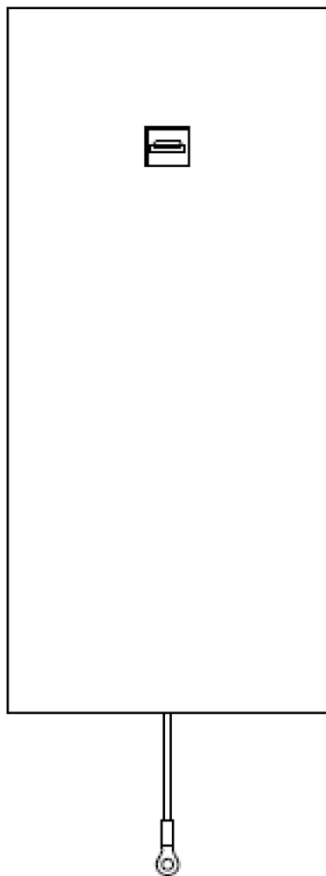


OEO TV Controller

Spare Parts Leaflet

32-AAA23850B

May 1, 2024 / Page 1 of 4



OTIS

TV DISPLAY CONTROLLER
OTIS P/N: AAA23850B__
24VDC @250mA @40° C max
SERIAL # _____

32 A-AAA23850B

 CSA B44.1 / ASME A17.5
NRTL/C 152885 AAA102BDM1

OTIS

This document contains technical information subject to EAR, ECCN=EAR99

SERVICE ENGINEERING
Otis Elevator Company
Bloomfield, Connecticut USA

Unpublished Work—© Otis Elevator Co.; 2024

History

32-AAA23850B

Leaflet Description

The OEO TV controller enclosure contains a CPIB2 and adapter cable. Two versions of the faceplate are available: hidden fastener and tamper proof screw. Both options come in the standard finishes. This document lists the available spare parts.

Leaflet Revisions

Date Revised	Subject Matter Expert	Reason for Revision
May 1, 2024	Merlene Buchanan	New SPL

Related Drawings

Drawing No.	Title	Drawing No.	Title
AAA25300AT	OEO Communications Adapter		

Related Documents

Document ID	Title
SPL 10-AAA25300AT	OEO Communications Adapter Assembly

Subject Matter Expert

Name	Department
Merlene Buchanan	OSC Electrical Engineering

About Spare Parts Leaflets...

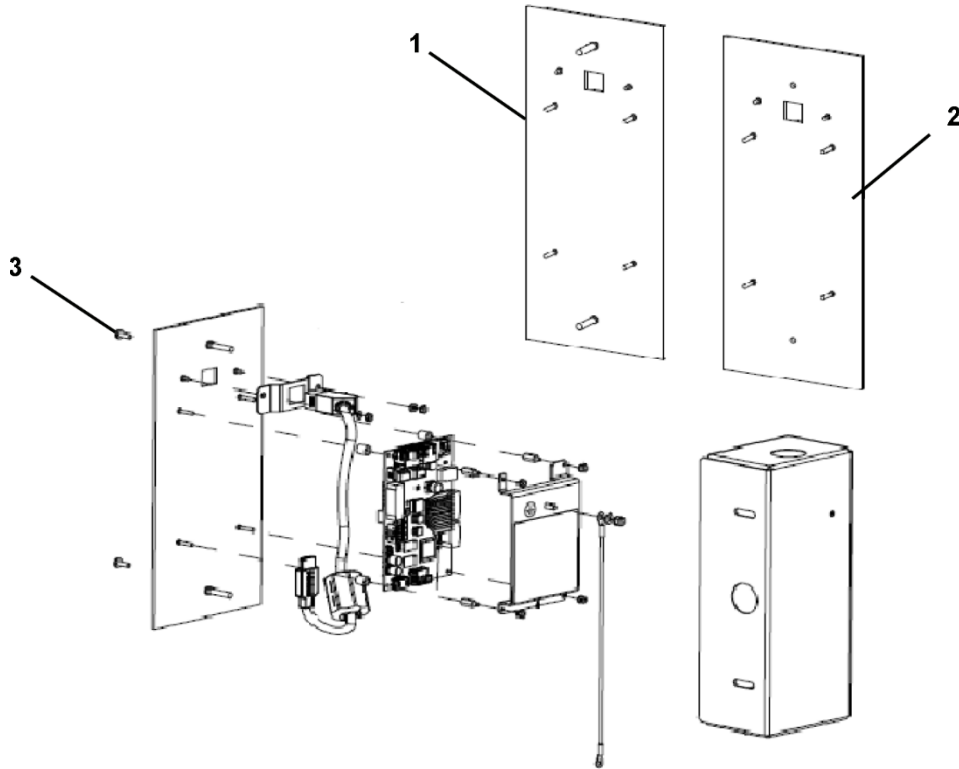
This document lists the lowest replaceable units (LRUs) for the standard version of the product. The LRUs are chosen by a team of Otis associates representing engineering and manufacturing.

While goal of this document is to make parts identification as easy as possible, the document cannot be all-inclusive. Elevator and escalator contracts classified as "special" or "custom" are not addressed here. For such contracts, please refer to specified information, the contract folder, TIPs, Field Education Articles, Construction Letters, etc. for further information.

If you have any suggestions about this document, please contact the subject matter expert listed on this page.

OEO TV Controller

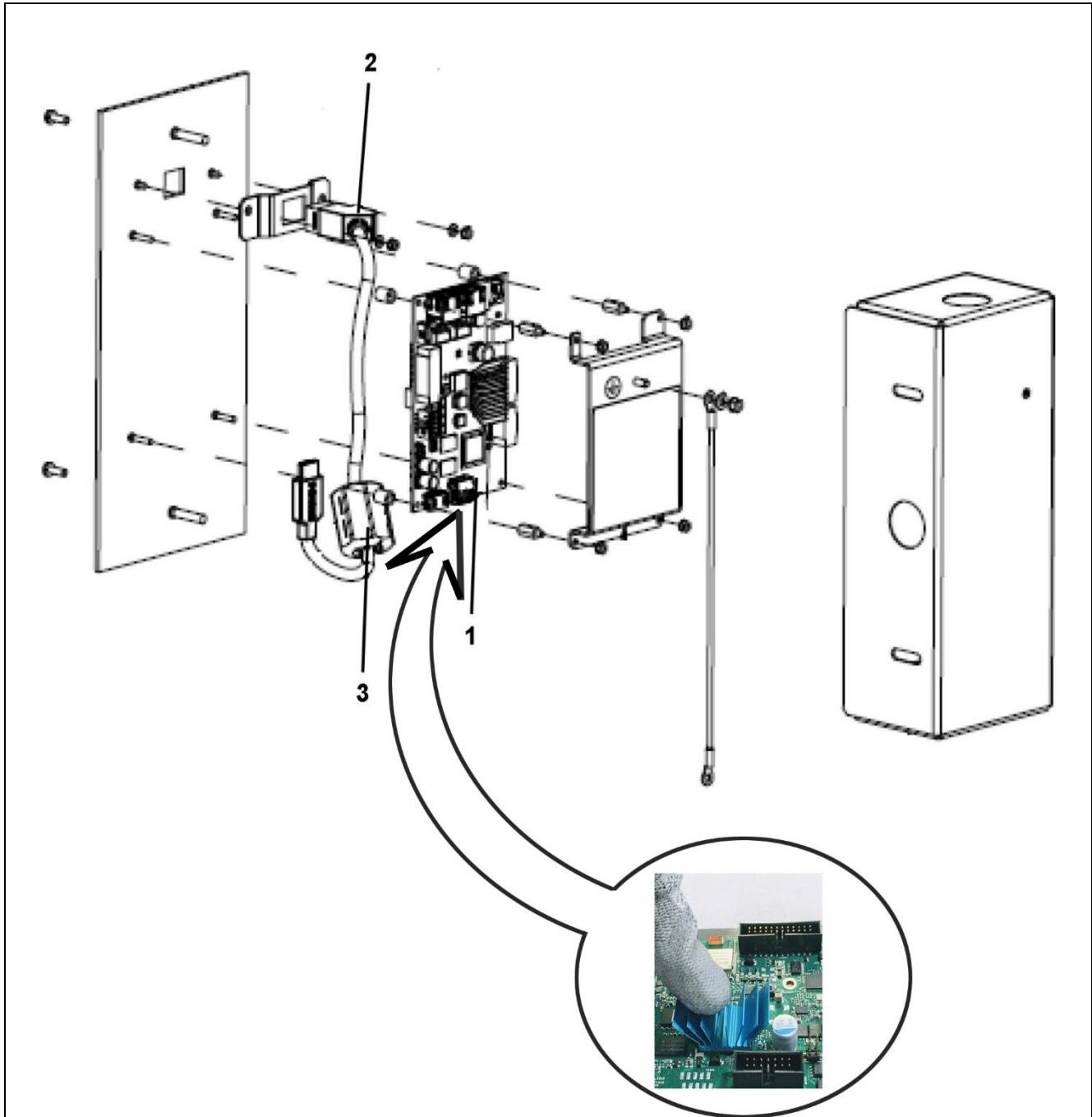
32-AAA23850B



AAA23850B			
REF. No.	PART No.	DESCRIPTION	REMARKS
1	AAA147AAQ3-FS4	Faceplate, HDMI Connection	Hidden Fasteners, Ferritic Stainless Steel
	AAA147AAQ3-MIL4		Hidden Fasteners, Brushed Stainless Steel
	AAA147AAQ3-SS8		Hidden Fasteners, Mirror Stainless Steel
	AAA147AAQ3-BR7		Hidden Fasteners, Brushed Bronze
	AAA147AAQ3-BR8		Hidden Fasteners, Mirror Bronze
	AAA147AAQ3-LBR		Hidden Fasteners, Light Oxidized Bronze
	AAA147AAQ3-DBR		Hidden Fasteners, Dark Oxidized Bronze
2	AAA147AAQ4-FS4		Tamper Proof Fasteners, Ferritic Stainless Steel
	AAA147AAQ4-MIL4		Tamper Proof Fasteners, Brushed Stainless Steel
	AAA147AAQ4-SS8		Tamper Proof Fasteners, Mirror Stainless Steel
	AAA147AAQ4-BR7		Tamper Proof Fasteners, Brushed Bronze
	AAA147AAQ4-BR8		Tamper Proof Fasteners, Mirror Bronze
	AAA147AAQ4-LBR		Tamper Proof Fasteners, Light Oxidized Bronze
	AAA147AAQ4-DBR		Tamper Proof Fasteners, Dark Oxidized Bronze
3	AAA124HE1	Screw, Pan Head, M4, Tamper Resistant	SSB (Brushed Stainless and Ferritic Stainless)
	AAA124HE2		GOLDB (Brushed Bronze)
	AAA124HE3		SSM (Mirror Stainless)
	AAA124HE4		GOLDM (Mirror Bronze)

OEO TV Controller

32-AAA23850B



AAA23850B		
REF. No.	PART No.	DESCRIPTION
1*	AAA26800BDB1 GAA26800SG3-OEO AAA600AL122	CPIB2 w/ Heatsink. See notes 1 & 2.
2	AAA174BWX1	Cable, Electrical, HDMI
3	AAA234AF72	Clamp-On EMI Suppressor

NOTE 1: When replacing Ref. 1, please see AAA29000BL_FIM (available on Support app).

NOTE 2: Affix heatsink AAA600AL122 to microcontroller, per illustration.