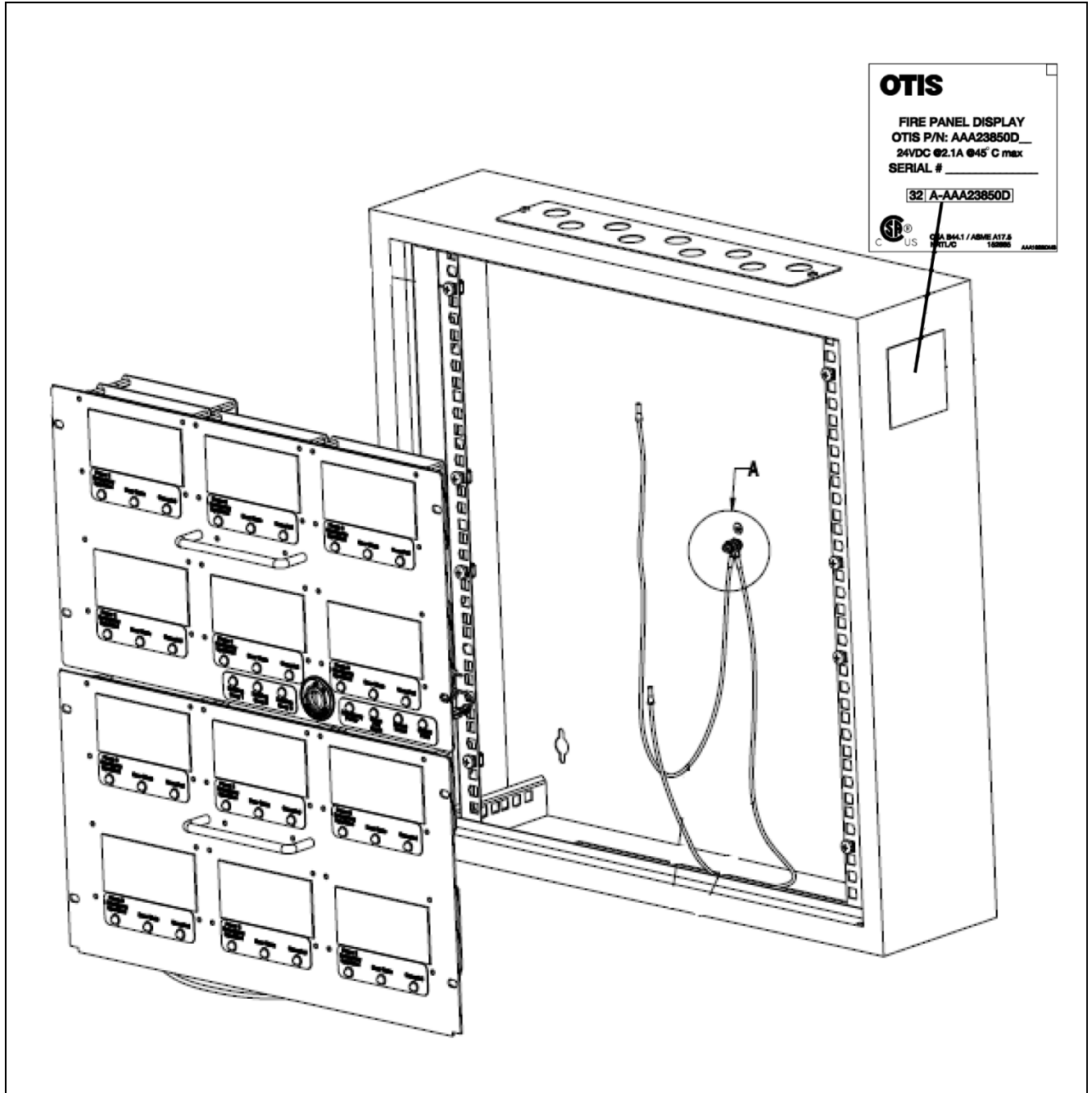


OEO Fire Panel Assembly

Spare Parts Leaflet

32-AAA23850D

June 24, 2020 / Page 1 of 6



OTIS

This document does not contain any technical data subject to EAR or ITAR

SERVICE ENGINEERING

Otis Elevator Company

Bloomfield, Connecticut USA

Unpublished Work—© Otis Elevator Co.; 2020

Leaflet Description

This leaflet provides spare parts information for OEO fire panel assembly. The fire panel (type AAA23850D) relays each elevators status (location, direction, fireman's service, etc.) to the Fire Command Center to give visibility. This is another requirement of Occupant Evacuation Operation. This assembly consists of two panels, position indicators, LEDs, CAN or RSL IO boards, and a keyswitch.

Leaflet Revisions

| Date Revised | Subject Matter Expert | Reason for Revision |
|---------------------|------------------------------|----------------------------|
| June 24, 2020 | Charles Lowd | New SPL |
| | | |

Related Drawings

| Drawing No. | Title | Drawing No. | Title |
|--------------------|-------------------------------------|--------------------|-------------------------|
| AAA25300AT | OEO Communications Adapter Assembly | AAA23850D | OEO Fire Panel Assembly |
| | | | |

Related Documents

| Document ID | Title |
|--------------------|-------------------------------------|
| SPL 10-AAA25300AT | OEO Communications Adapter Assembly |

Subject Matter Expert

| Name | Department |
|--------------|--------------------------------------|
| Charles Lowd | Otis Engineering SIT in Florence, SC |

About Spare Parts Leaflets...

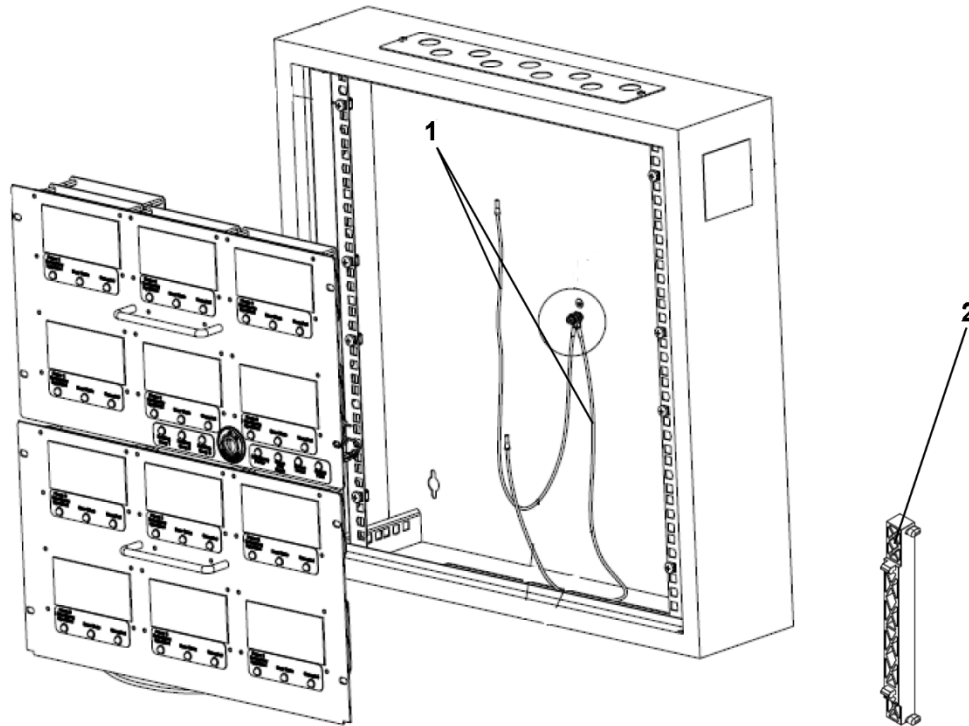
This document lists the lowest replaceable units (LRUs) for the standard version of the product. The LRUs are chosen by a team of Otis associates representing engineering and manufacturing.

While goal of this document is to make parts identification as easy as possible, the document cannot be all-inclusive. Elevator and escalator contracts classified as "special" or "custom" are not addressed here. For such contracts, please refer to specified information, the contract folder, TIPs, Field Education Articles, Construction Letters, etc. for further information.

If you have any suggestions about this document, please contact the subject matter expert listed on this page.

Fire Panel Assembly

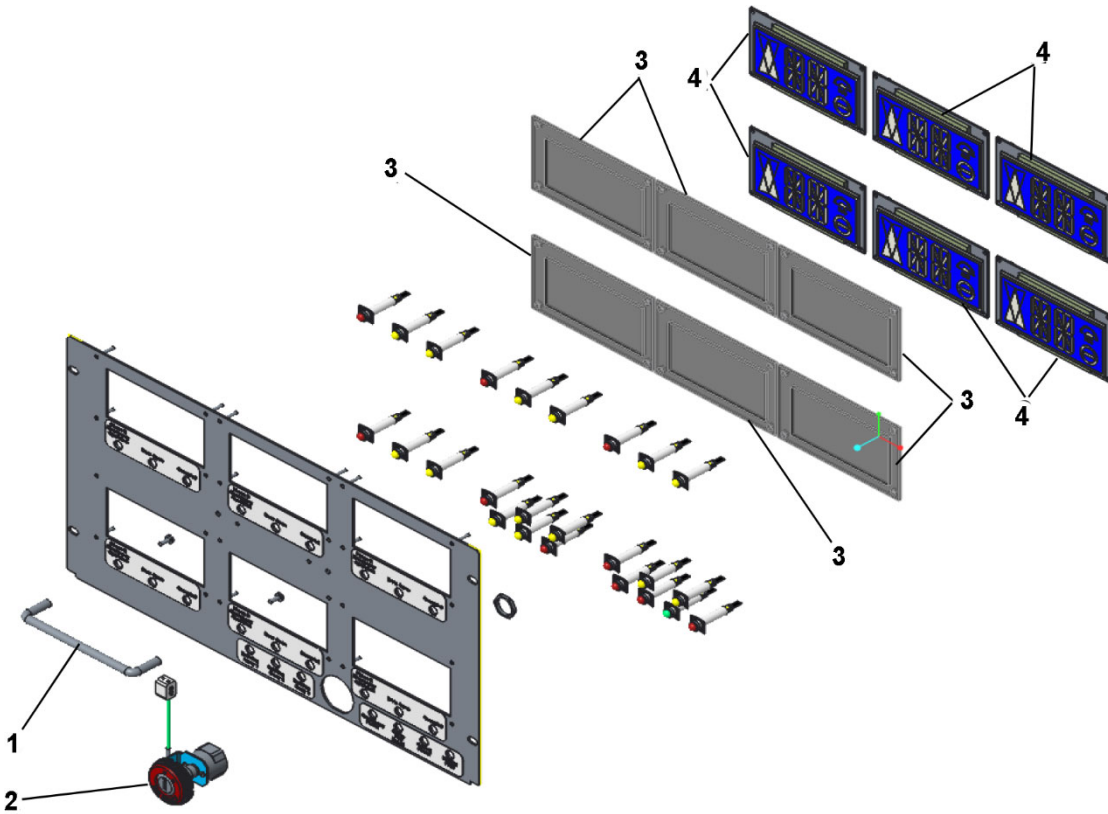
32-AAA23850D



| AAA23850D | | | |
|-----------|----------|----------------------------------|-------------|
| REF. No. | PART No. | DESCRIPTION | REMARKS |
| 1 | 175CC62 | Conductor | Ground Wire |
| 2 | AAA27LR1 | Tool, Panel Hanging Construction | --- |

Fire Panel Assembly

32-AAA23850D

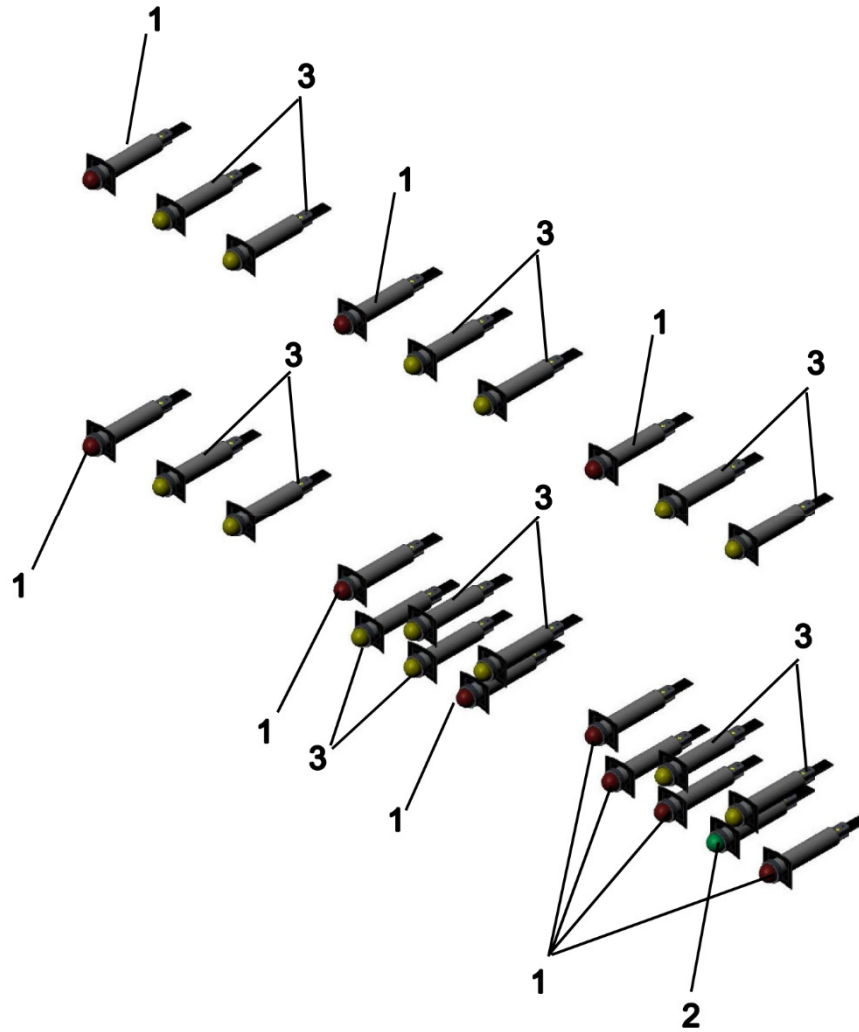


| AAA23850D | | | |
|-----------|-------------|---|----------------------|
| REF. No. | PART No. | DESCRIPTION | REMARKS |
| 1 | AAA388BV4 | Handle | --- |
| 2 | --- | Keyswitch, Firemen's SES Phase II, Type AAA23851A | see SPL 32-AAA23851A |
| 3 | AAA443GP1 | Lens, HPI Display | --- |
| * | AAA629AW25 | OPTO Device, LED, Red | See next page |
| * | AAA629AW26 | OPTO Device, LED, Green | See next page |
| * | AAA629AW27 | OPTO Device, LED, Yellow | See next page |
| 4 | DAA26800CC1 | PC Board, Display, CAN | --- |
| * | DAA26800Q1 | PC Board, CF14 | --- |
| * | 354AG81 | Piece, Distance | --- |

* Part not shown.

Fire Panel Assembly

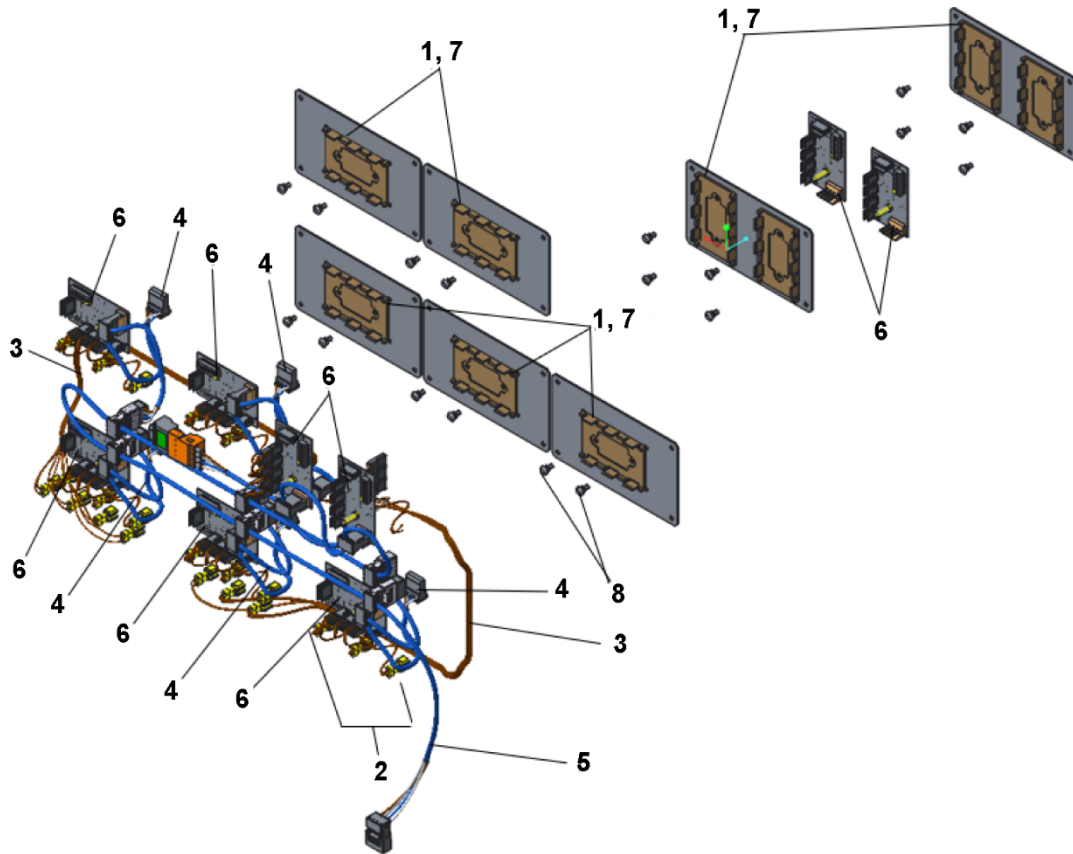
32-AAA23850D



| AAA23850D | | |
|-----------|------------|--------------------------|
| REF. No. | PART No. | DESCRIPTION |
| 1 | AAA629AW25 | OPTO Device, LED, Red |
| 2 | AAA629AW26 | OPTO Device, LED, Green |
| 3 | AAA629AW27 | OPTO Device, LED, Yellow |

Fire Panel Assembly

32-AAA23850D



| AAA23850D | | |
|-----------|-------------|---|
| REF. No. | PART No. | DESCRIPTION |
| 1 | FBA316SL1 | Bracket, Holder, CF14 (CAN) |
| 2 | AAA25400EZ1 | Cable Assembly, CF14, 120 mm |
| 3 | AAA25400EZ3 | Cable Assembly, CF14, 620 mm |
| 4 | AAA21600KT1 | CAN Fire Display Prewiring, PI to CF14 |
| 5 | AAA21600KV1 | CAN Fire Display Prewiring, Top Plate Connection |
| * | AAA21600KV2 | CAN Fire Display Prewiring, Bottom Plate Connection |
| * | AAA21600KV3 | CAN Fire Display Prewiring, Termination |
| 6 | DAA26800Q1 | PC Board, CF14 |
| 7 | AAA386NYK1 | Plate, PC Board |
| 8 | AAA141AN1 | Rivet, Snap, Mounting, CF14 (CAN) |

* Part not shown.